

LINEAR MONOLITHIC INTEGRATED CIRCUITS

IC's For Radio, Audio

Type No.	Function	Maximum Ratings (Ta=25°C)	Electrical Characteristics (Ta=25°C)									
			Item	Symbol	Condition	min.	typ.	max.	Unit			
AN7146M	4.6W BTL/ 2.3W Dual Audio Power Amplifier	$V_{CC}(V_{1-9})=20V$ $I_{CC}=4A$ $P_D=20W(T_a=60^\circ C)$ $T_{opr}=-30\sim+75^\circ C$ $T_{stg}=-55\sim+150^\circ C$ Note: Typ. Value for reference only.	Quiescent Current	I_{CQ}	$V_{CC}=9V, V_i=0$	20	32	55	mA			
			(Dual Operation *** $V_{CC}=9V, R_L=4\Omega, f=1kHz$)									
			Voltage Gain	G_V	$V_i=4mV$	42	44	46	dB			
			Total Harmonic Distortion	THD			0.3	1	%			
			Non-distortional Max. Output	P_O	THD=10%	2	2.3		W			
			Output Noise Voltage	V_{no}	$R_g=3.9k\Omega$		0.4	1	mV			
			Channel Balance	CB	$V_i=4mV$		0	1	dB			
			(BTL Operation *** $V_{CC}=9V, R_L=8\Omega, f=1kHz$)									
			Voltage Gain	G_V	$V_i=4mV$	46	48	50	dB			
			Total Harmonic Distortion	THD			0.4	1	%			
			Non-distortional Max. Output	P_O	THD=10%	4.3	4.6		W			
Output Noise Voltage	V_{no}	$R_g=3.9k\Omega$		0.7	1.5	mV						
(BTL Operation *** $V_{CC}=9V, R_L=8\Omega, f=1kHz$)												
(Dual Operation *** $V_{CC}=16V, R_L=8\Omega, f=1kHz$)												
AN7146H	15W BTL/ 4.5W Dual Audio Power Amplifier	$V_{CC}(V_{1-9})=24V^{*1}$ $V_{CC}(V_{1-9})=20V^{*2}$ $I_{CC}=4A$ $P_D=20W(T_a=60^\circ C)$ $T_{opr}=-30\sim+75^\circ C$ $T_{stg}=-55\sim+150^\circ C$ *1 Without signal *2 Operation Note: Typ. Value for reference only.	Quiescent Current	I_{CQ}	$V_{CC}=16V, V_i=0$	25	40	65	mA			
			(Dual Operation *** $V_{CC}=9V, R_L=8\Omega, f=1kHz$)									
			Voltage Gain	G_V	$V_i=4mV$	42.5	44.5	46.5	dB			
			Total Harmonic Distortion	THD			0.15	1	%			
			Non-distortional Max. Output	P_O	THD=10%	3.7	4.5		W			
			Output Noise Voltage	V_{no}	$R_g=10k\Omega, V_i=0$		0.6	1.5	mV			
			Channel Balance	CB	$V_i=4mV$		0	1	dB			
			(BTL Operation *** $V_{CC}=16V, R_L=8\Omega, f=1kHz$)									
			Voltage Gain	G_V	$V_i=4mV$	46	48	50	dB			
			Total Harmonic Distortion	THD			0.4	1	%			
			Non-distortional Max. Output	P_O	THD=10%	12	15		W			
Output Noise Voltage	V_{no}	$R_g=10k\Omega, V_i=0$		0.7	2	mV						
(BTL Operation *** $V_{CC}=16V, R_L=8\Omega, f=1kHz$)												
AN7154 AN7155	5.5W Audio Power Amplifier	$V_{CC}=24V^{*1}$ $V_{CC}=20V^{*2}$ $I_{CC}=4A$ $P_D=25W$ $T_{opr}=-30\sim+75^\circ C$ $T_{stg}=-55\sim+150^\circ C$ *1 Without signal *2 Operation	(V _{CC} =13.2V, R _L =4Ω, f=1kHz)									
			Quiescent Current	I_{CQ}	$V_i=0$	20	30	75	mA			
			Voltage Gain	G_V	$V_i=4mV$	50	52	54	dB			
			Non-distortional Max. Output	P_O	THD=10%	4.8	5.5		W			
			Total Harmonic Distortion	THD	$V_i=4mV$		0.1	1	%			
			Output Noise Voltage	V_{no}	$R_g=10k\Omega$		1	3	mV			
			Input Resistance	R_i		20	30		kΩ			
			Note) AN7154/AN7155 symmetrical outline									
			(V _{CC} =13.2V, R _L =4Ω, f=1kHz)									
			AN7156N	Dual 5.3W Audio Power Amplifier	$V_{CC}(V_{1-10})=24V^{*1}$ $V_{CC}(V_{1-10})=20V^{*2}$ $I_{CC}=4A$ $P_D=30W(T_a=45^\circ C)$ $T_{opr}=-30\sim+75^\circ C$ $T_{stg}=-55\sim+150^\circ C$ *1 Without signal *2 Operation	(V _{CC} =13.2V, R _L =4Ω, f=1kHz)						
Quiescent Current	I_{CQ}	$V_i=0$				40	70	120	mA			
Closed Loop Voltage Gain	G_{VC}	$V_i=3mV$				52	54	56	dB			
Non-distortional Max. Output	P_O	THD=10%				4.8	5.5		W			
Total Harmonic Distortion	THD	$V_i=3mV$					0.15	1	%			
Output Noise Voltage	V_{no}	$R_g=10k\Omega$					1	3	mV			
Channel Balance	CB	$V_i=3mV$					0	1	dB			
Separation	Sep					45	50		dB			
*3 I_{CQ} typ. 35mA/channel												
Note) Supply voltage range for assuring AC operation 8~16V.												

LINEAR MONOLITHIC INTEGRATED CIRCUITS

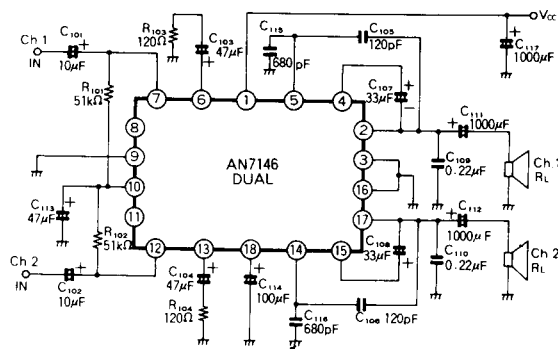
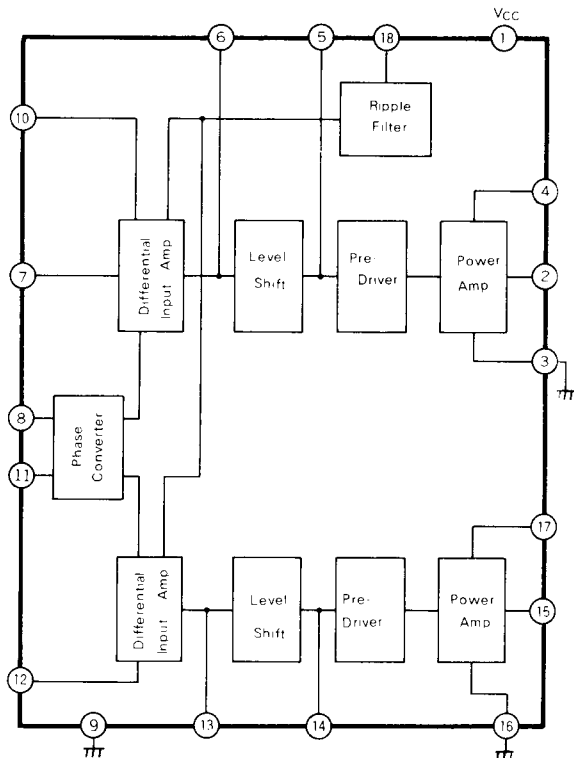
IC's For Radio, Audio

Circuit Diagram

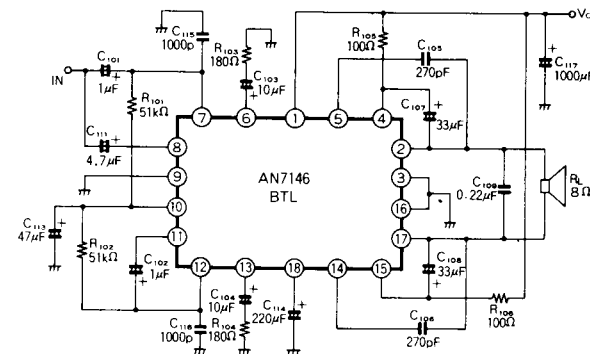
Application Circuit

AN7146M, AN7146H
(Package I—27,18—Lead Plastic Power DIL)

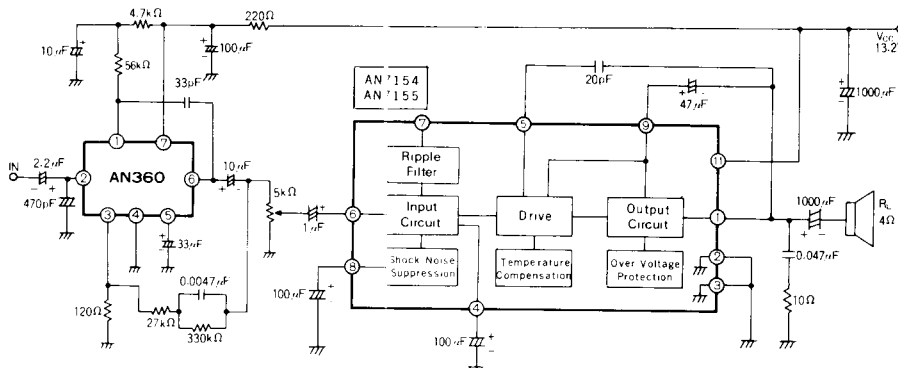
Dual Circuit



BTL Circuit



AN7154/AN7155 (Package I—11,11—Lead Plastic Power SIL)



AN7156N (Package I—12,12—Lead Plastic Power SIL)

