

SW-241-PIN



Matched GaAs SP3T Switch,
5 - 2000 MHz

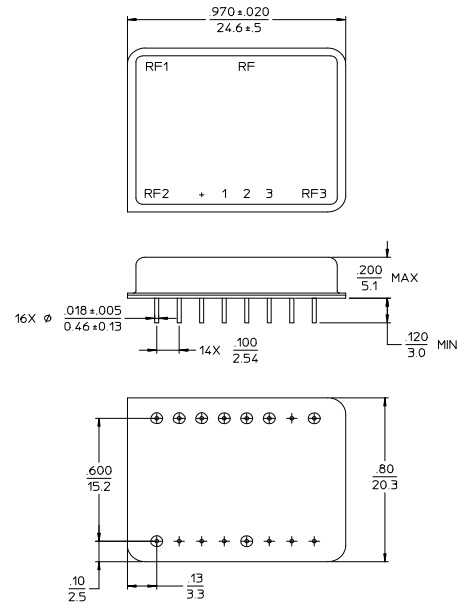
Rev. V3

Features

- Low Insertion Loss, 1.0 dB Typical
- Fast Switching Speed, 20 nS Typical
- Ultra Low DC Power Consumption, 0.22 mA Typical
- Integral TTL Driver
- 50 Ohm Nominal Impedance
- MIL-STD-883 screening available

Description

Functional Block Diagram



Dimensions in () or on bottom are in mm.
Unless Otherwise Noted: .xxx = ±0.010 (xx = ±0.25)
.xx = ±0.02 (x = ±0.5)
WEIGHT (APPROX): 0.26 OUNCES 7.3 GRAMS

Ordering Information

Part Number	Package
SW-241-PIN	DI-5

Note: Reference Application Note M513 for reel size information.

Note: Die quantity varies.

Truth Table

Control Input			Condition of Switch		
"1" = Logic High (TTL)			RF Common to Each RF Port		
CTL1	CTL2	CTL3	RF1	RF2	RF3
1	0	0	On	Off	Off
0	1	0	Off	On	Off
0	0	1	Off	Off	On

* Restrictions on Hazardous Substances, European Union Directive 2002/95/EC.

SW-241-PIN



Matched GaAs SP3T Switch,
5 - 2000 MHz

Rev. V3

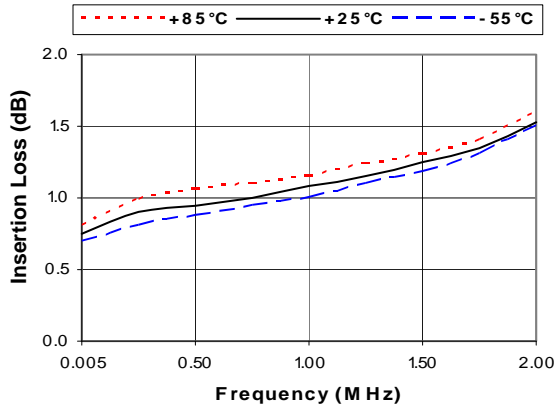
Electrical Specifications: $T_A = -55^{\circ}\text{C}$ to $+85^{\circ}\text{C}$ ¹

Parameter	Test Conditions	Frequency	Units	Min	Typ	Max
Insertion Loss	—	5 - 2000 MHz	dB	2.5	—	—
		5 - 1000 MHz	dB	1.7	—	—
		5 - 500 MHz	dB	1.4	—	—
VSWR	—	5 - 2000 MHz	Ratio	—	—	2.0:1
		5 - 1000 MHz	Ratio	—	—	1.6:1
		5 - 500 MHz	Ratio	—	—	1.4:1
Isolation	—	5 - 2000 MHz	dB	35	—	—
		5 - 1000 MHz	dB	45	—	—
		5 - 500 MHz	dB	55	—	—
Trise, Tfall Ton, Toff Transients	50% CTL to 90/10% RF In-band	—	nS	—	7	—
		—	nS	—	20	—
		—	mV	—	80	—
1 dB Compression	Input Power	500 - 2000 MHz	dBm	—	+27	—
		50 MHz	dBm	—	+21	—
IP ₂	For two tone input power up to +13 dBm	500 - 2000 MHz	dBm	—	+68	—
		50 MHz	dBm	—	+60	—
IP ₃	For two tone input power up to +13 dBm	500 - 2000 MHz	dBm	—	+46	—
		50 MHz	dBm	—	+40	—
Bias Power	+5 VDC @ 0.22 mA Typ	—	mA	—	—	1

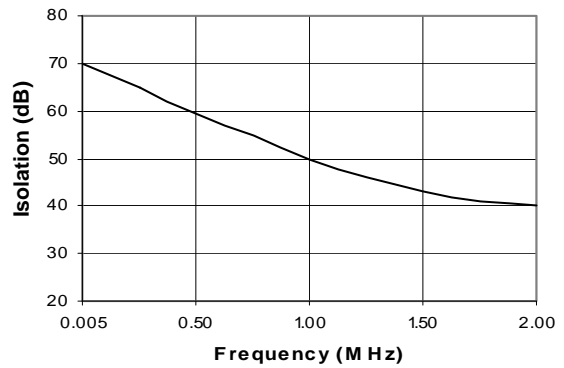
1. All specifications apply when operated with bias voltages of +5 VDC and 50 ohm impedance at all RF Ports.

Typical Performance Curves

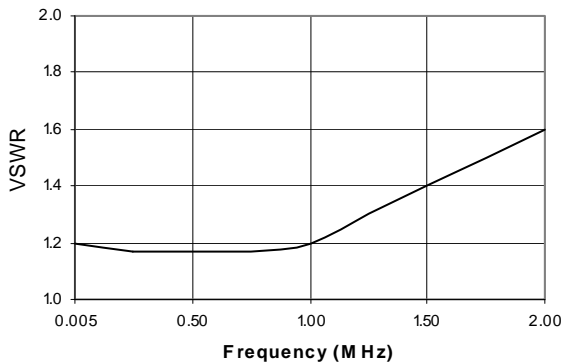
Insertion Loss



Isolation



VSWR



Schematic

