

FUDAN MICROELECTRONICS



复旦微电子

FM7843

Touch Screen Controller

Specification

Oct. 2007

INFORMATION IN THIS DOCUMENT IS INTENDED AS A REFERENCE TO ASSIST OUR CUSTOMERS IN THE SELECTION OF SHANGHAI FUDAN MICROELECTRONICS CO., LTD PRODUCT BEST SUITED TO THE CUSTOMER'S APPLICATION; THEY DO NOT CONVEY ANY LICENSE UNDER ANY INTELLECTUAL PROPERTY RIGHTS, OR ANY OTHER RIGHTS, BELONGING TO SHANGHAI FUDAN MICROELECTRONICS CO., LTD OR A THIRD PARTY. WHEN USING THE INFORMATION CONTAINED IN THIS DOCUMENTS, PLEASE BE SURE TO EVALUATE ALL INFORMATION AS A TOTAL SYSTEM BEFORE MAKING A FINAL DECISION ON THE APPLICABILITY OF THE INFORMATION AND PRODUCTS. SHANGHAI FUDAN MICROELECTRONICS CO., LTD ASSUMES NO RESPONSIBILITY FOR ANY DAMAGE, LIABILITY OR OTHER LOSS RESULTING FROM THE INFORMATION CONTAINED HEREIN. SHANGHAI FUDAN MICROELECTRONICS CO., LTD PRODUCTS ARE NOT INTENDED FOR USE IN MEDICAL, LIFE SAVING, OR LIFE SUSTAINING APPLICATIONS. THE PRIOR WRITTEN APPROVAL OF SHANGHAI FUDAN MICROELECTRONICS CO., LTD IS NECESSARY TO REPRINT OR REPRODUCE IN WHOLE OR IN PART THESE DOCUMENTS. Future routine revisions will occur when appropriate, without notice. Contact Shanghai Fudan Microelectronics Co., Ltd sales office to obtain the latest specifications and before placing your product order. Please also pay attention to information published by Shanghai Fudan Microelectronics Co., Ltd by various means, including Shanghai Fudan Microelectronics Co., Ltd home page (<http://www.fmsh.com/>).

Please contact Shanghai Fudan Microelectronics Co., Ltd local sales office for the specification regarding the information in this documents or Shanghai Fudan Microelectronics Co., Ltd products.

Trademarks

Shanghai Fudan Microelectronics Co., Ltd name and logo, the “复旦” logo are trademarks or registered trademarks of Shanghai Fudan Microelectronics Co., Ltd or its subsidiaries in China.

Shanghai Fudan Microelectronics Co., Ltd, Printed in the China, All Rights Reserved.

Product Overview

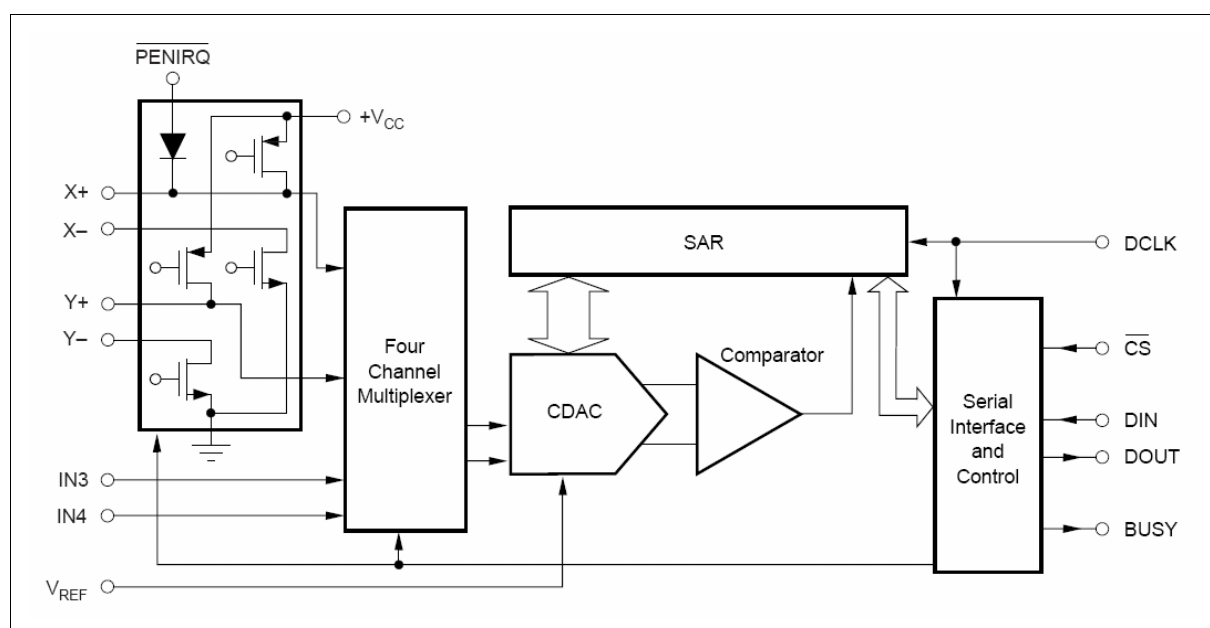
Instruction

FM7843 is a 4-wire resistive touch screen input controller integrated circuit. The device is a 12-bit analog-to-digital converter with a synchronous serial interface and touch screen driving circuit. It has a shutdown mode, in which the power dissipation of the device is as low as $0.5\mu\text{W}$. Fully compatible with Burr-Brown' ADS7843, this device is ideal to be used in personal digital assistant (PDA) and portable instruments applications.

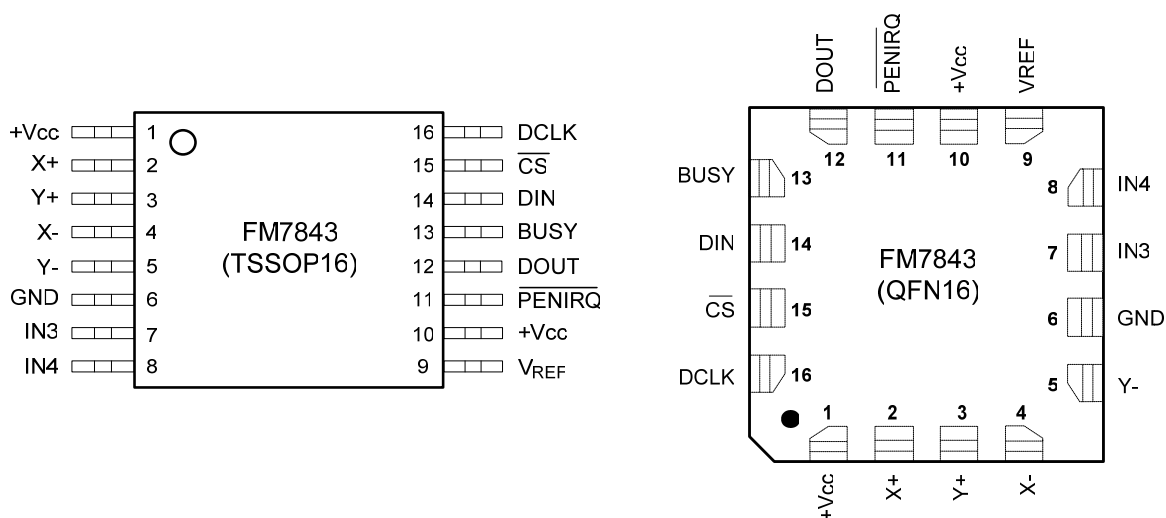
Features

- ◆ Realizing the driver selection of touch screen
- ◆ Analog-to-digital conversion on input voltage or auxiliary voltage
- ◆ Synchronous serial interface
- ◆ Up to 125kHz conversion rate
- ◆ Programmable 8-bit or 12-bit resolution
- ◆ Single supply: 2.7V to 5V
- ◆ 2 auxiliary analog inputs

Block Diagram



Pin Assignment



Pin Description

Symbol	Pin	Function
Vcc	1	Power supply 2.7v to 5v
X+	2	X+ Position input. ADC input Channel 1
Y+	3	Y+ Position input. ADC input Channel 2
X-	4	X- Position input
Y-	5	Y- Position input
GND	6	Ground
IN3	7	Auxiliary input 1. ADC input Channel 3
IN4	8	Auxiliary input 2. ADC input Channel 4
Vref	9	Voltage Reference input
Vcc	10	Power supply, 2.7v to 5v
PENIRQ	11	Pen interrupt. Open anode output (requires 10kΩ pull-up resistor externally).
DOUT	12	Serial Data Output. Data is shifted on the falling edge of, CS DCLK. This output is high impedance when CS is HIGH
BUSY	13	Busy Output. This output is high impedance when CS is HIGH
DIN	14	Serial Data input. If CS is LOW, data is latched on rising edge of DCLK.
CS	15	Chip Select Input, Conversion timing and enables the serial input/output register.
DCLK	16	External Clock Input. This clock runs the SAR conversion process and synchronizes serial data I/O.

Characteristics

Absolute Maximum Ratings

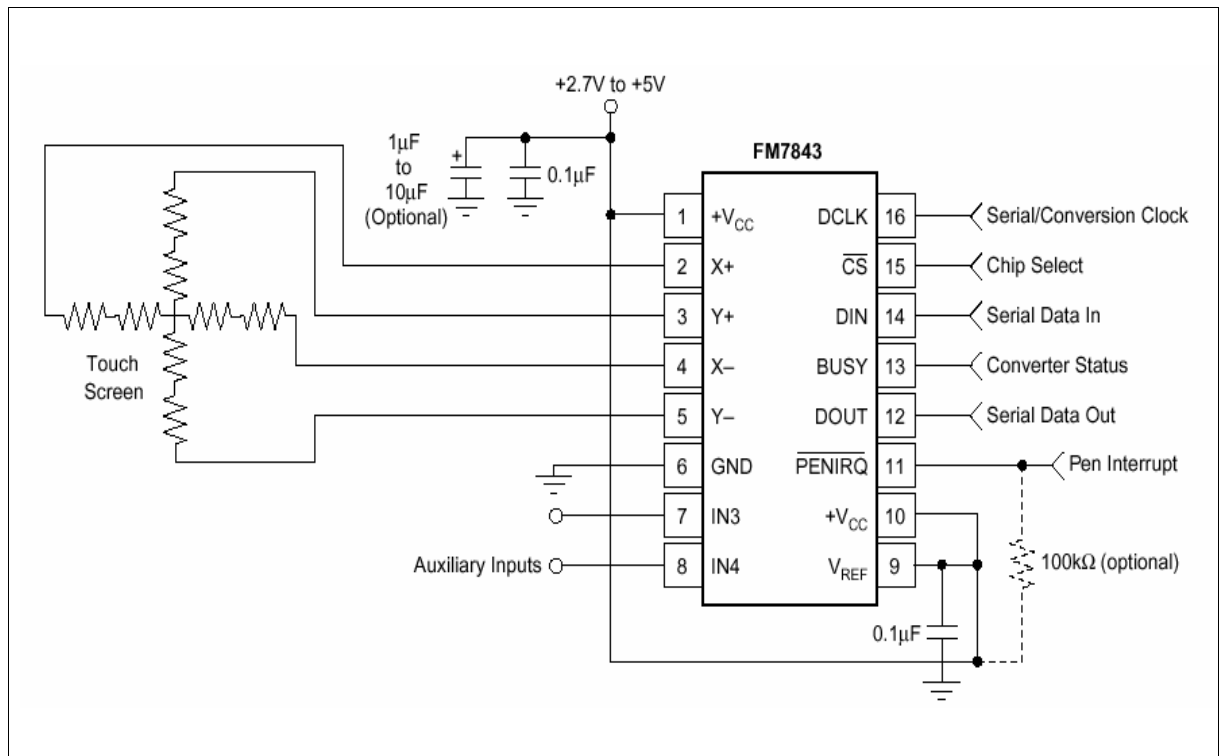
Symbol	Parameter	Min	Max	Unit
V _{CC}	Maximum Operation Voltage	-0.3	6	V
V _{IA}	Analog input voltage	-0.3	V _{CC} +0.3	V
V _{ID}	Digital input voltage	-0.3	V _{CC} +0.3	V
P _{TOT}	Total power dissipation		250	mW
T _{STG}	Storage temperature	-55	+150	°C
T _{OPR}	Operation temperature	-40	+85	°C

Electrical Characteristic

(V_{CC}=2.7V, V_{ref}=2.5V, f_{sample}=125KHz, f_{clk}=2MHz)

Parameter		Min	Typ	Max	Unit
Analog Input	Absolute input range	-0.2		V _{CC} + 0.2	V
	Capacitance		2.5		pF
	Leakage Current		0.1		μA
System Performance	Resolution		12		Bits
	No Missing Codes	11			Bits
	Integral Linearity Error			± 2	LSB
	Offset Error			± 6	LSB
	Gain Error			± 4	LSB
	Power Supply Rejection		70		dB
Sampling Dynamics	Conversion Time			12	Clk Cycles
	Acquisition Time	3			Clk Cycles
	Throughput Rate			125	KHz
Switch Drivers	On-Resistance		5		Ω
Power Supply Requirements	Quiescent Current		280	650	μA
	Shut Down Mode			3	μA
	Power Dissipation			1.8	mW

Application Example

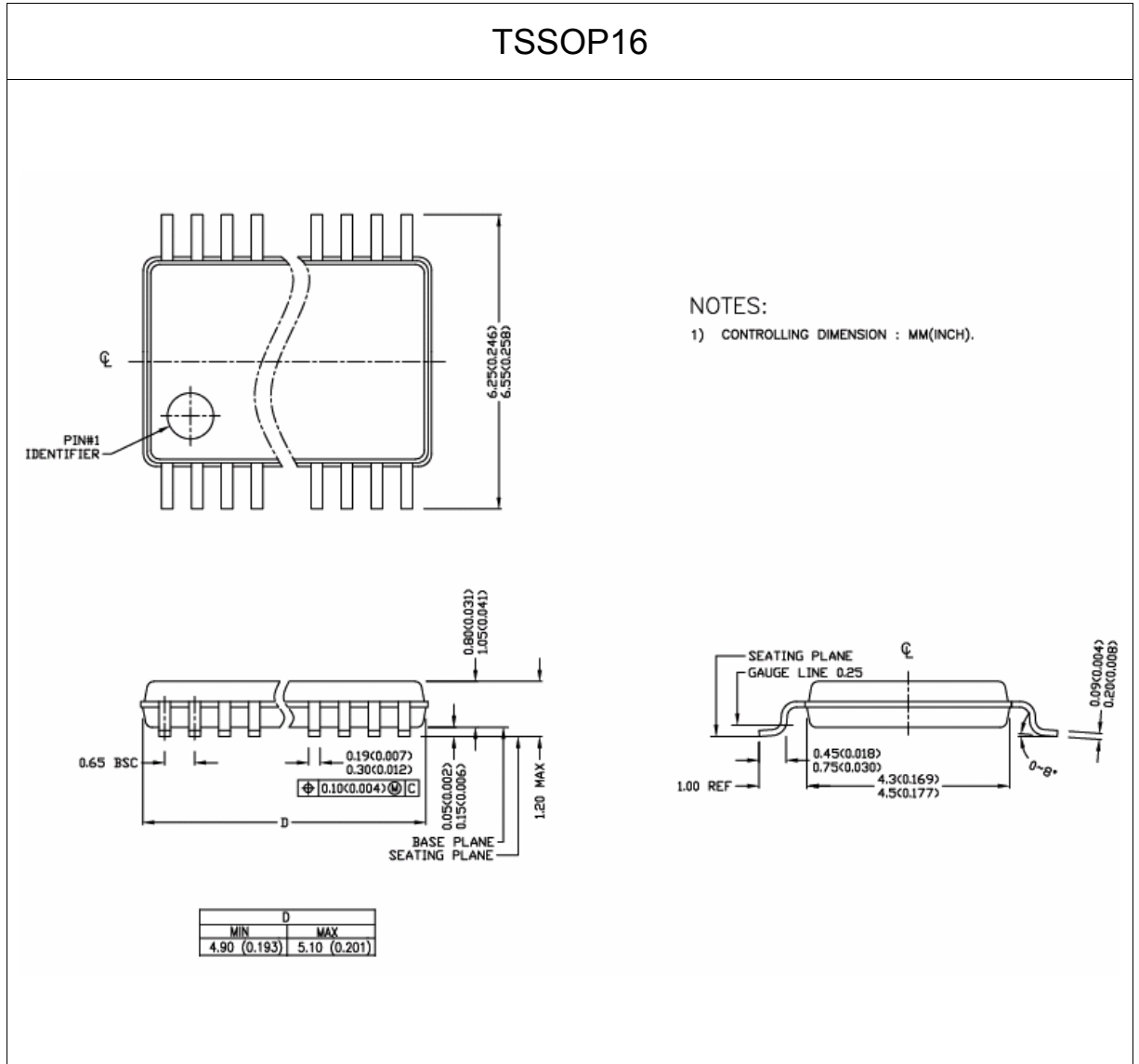




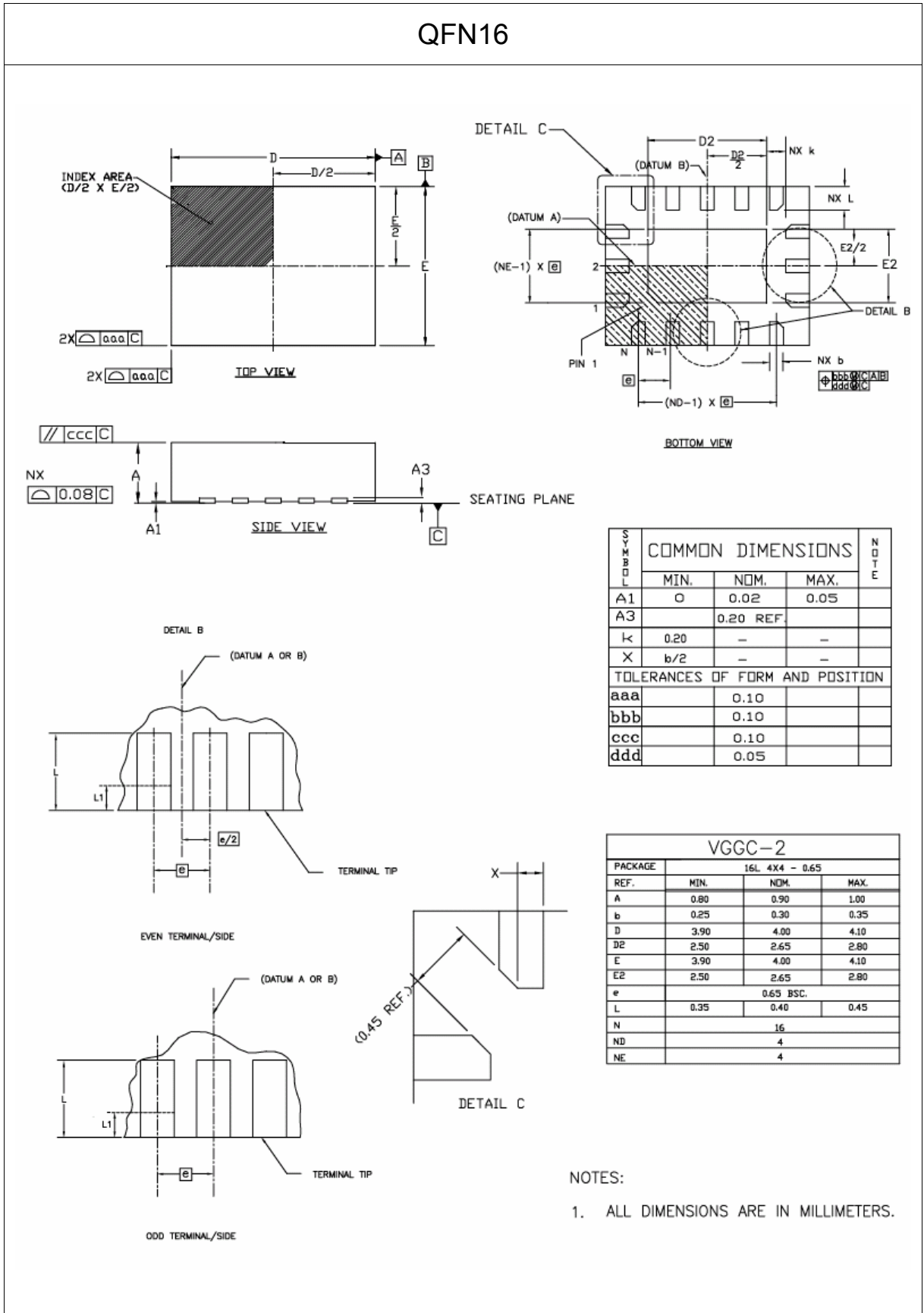
Ordering Information

Ordering Code	Package	Operation Temperature
FM7843-TS	TSSOP16	Industrial Temperature (-40°C ~ +85°C)
FM7843-QF	QFN16	

Package Dimensions



QFN16



SYMBOL	COMMON DIMENSIONS			NOTE
	MIN.	NOM.	MAX.	
A1	0	0.02	0.05	
A3		0.20 REF.		
k	0.20	-	-	
X	b/2	-	-	
TOLERANCES OF FORM AND POSITION				
aaa		0.10		
bbb		0.10		
ccc		0.10		
ddd		0.05		

VGGC-2			
PACKAGE	16L 4X4 - 0.65		
REF.	MIN.	NOM.	MAX.
A	0.80	0.90	1.00
b	0.25	0.30	0.35
D	3.90	4.00	4.10
D2	2.50	2.65	2.80
E	3.90	4.00	4.10
E2	2.50	2.65	2.80
e	0.65 BSC.		
L	0.35	0.40	0.45
N	16		
ND	4		
NE	4		

NOTES:
1. ALL DIMENSIONS ARE IN MILLIMETERS.

Revision History

Version	Publication date	Pages	Paragraph or Illustration	Revise Description
1.0	Oct. 2007	11		Initial Release.

Sales and Service

Shanghai Fudan Microelectronics Co., Ltd.

Address: Bldg No. 4, 127 Guotai Rd,
Shanghai City China.
Postcode: 200433
Tel: (86-21) 6565 5050
Fax: (86-21) 6565 9115

Shanghai Fudan Microelectronics (HK) Co., Ltd.

Address: Flat 12, 7/F, East Ocean Centre, 98 Granville Rd,
Tsimshatsui East, Kowloon, Hong Kong.
Tel: (852) 2116 3288 2116 3338
Fax: (852) 2116 0882

Beijing Office

Address: Room.1208, Bldg C,
Zhongguancun Science and Technology Development Edifice,
34 zhongguancun Street (South),
Haidian District, Beijing City, China.
Tel: (86-10) 6212 0682 6213 9558
Fax: (86-10) 6212 0681

Shenzhen Office

Address: Room.1301, Century Bldg, Shengtingyuan Hotel, Huaqiang Rd (North),
Shenzhen City, China.
Postcode: 518028
Tel: (86-755) 8335 3211 8335 6511
Fax: (86-755) 8335 9011

Web Site: <http://www.fmsh.com/>