

PLEASE CHECK WWW.MOLEX.COM FOR LATEST PART INFORMATION

Part Number: [0521160341](#)
Status: **Active**
Overview: [splash_proof](#)
Description: 2.50mm (.098") Pitch Splash Proof Wire-to-Wire Plug Housing, 3 Circuits

Documents:

[3D Model](#) [Product Specification PS-52117-004 \(PDF\)](#)
[Drawing \(PDF\)](#) [RoHS Certificate of Compliance \(PDF\)](#)
[Product Specification PS-52117-003 \(PDF\)](#)

General

Product Family Crimp Housings
 Series [52116](#)
 Overview [splash_proof](#)
 Product Name Splash Proof

Physical

Circuits (maximum) 3
 Color - Resin Black
 Gender Plug
 Glow-Wire Compliant No
 Lock to Mating Part Yes
 Material - Resin Polyester
 Number of Rows 1
 Packaging Type Tray
 Panel Mount No
 Pitch - Mating Interface (in) 0.098 In
 Pitch - Mating Interface (mm) 2.50 mm
 Stackable No
 Temperature Range - Operating -40°C to +105°C

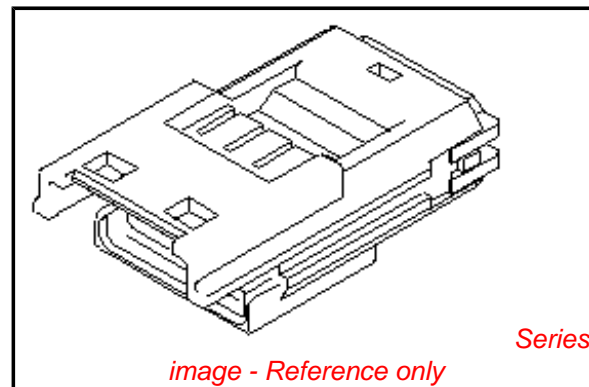
Electrical

Current - Maximum per Contact 3A

Material Info

Reference - Drawing Numbers

Product Specification PS-52117-003, PS-52117-004
 Sales Drawing SD-52116-03**



EU RoHS

**ELV and RoHS
 Compliant**
**REACH SVHC
 Contains SVHC: No**
**Halogen-Free
 Status**

China RoHS



**Need more information on product
 environmental compliance?**

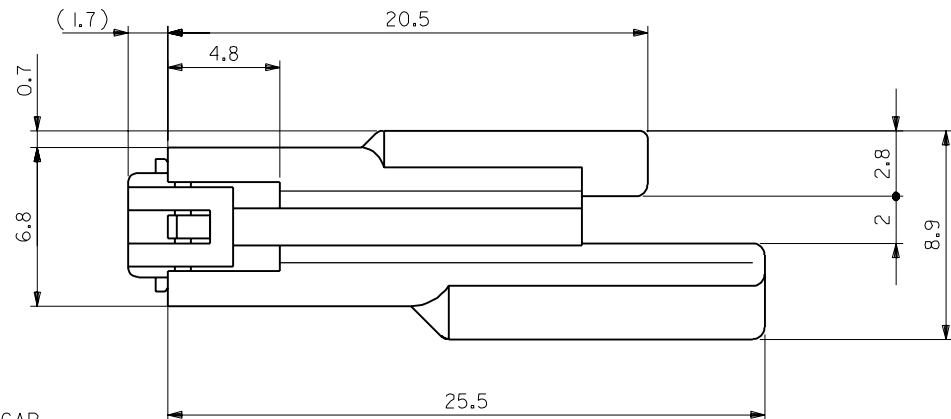
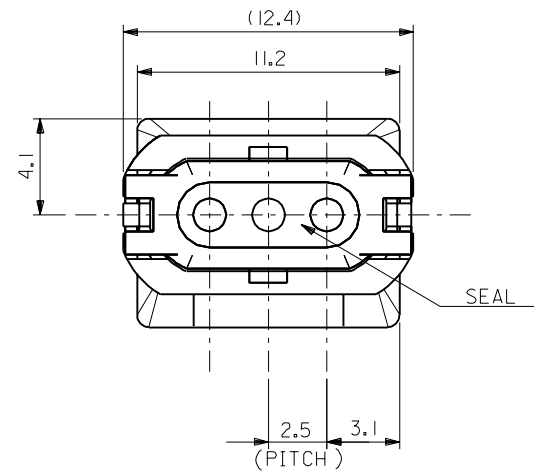
Email productcompliance@molex.com
 For a multiple part number RoHS Certificate of
 Compliance, [click here](#)

Please visit the [Contact Us](#) section for any
 non-product compliance questions.

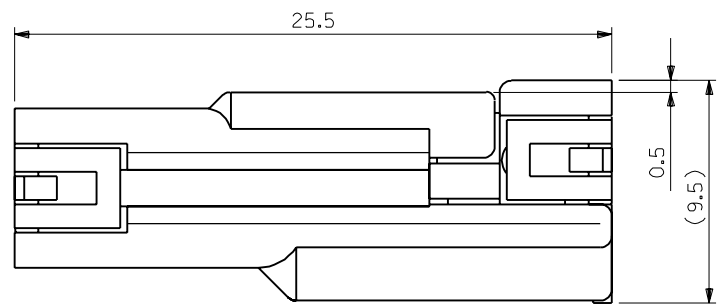
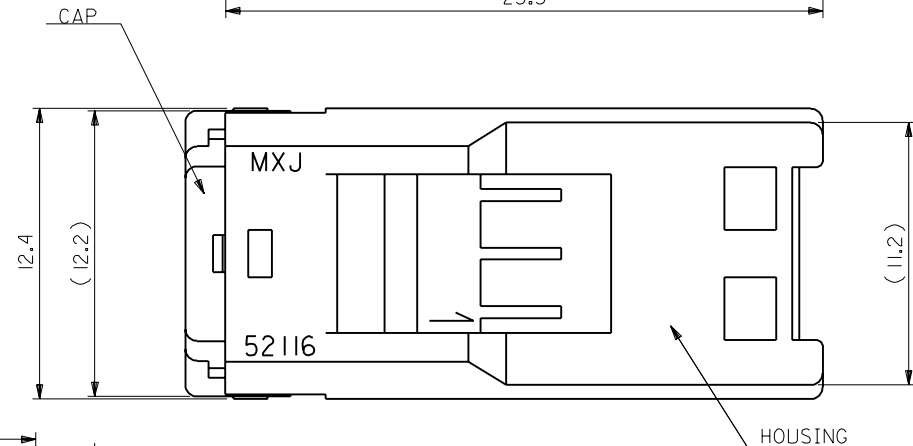
Search Parts in this Series
[52116Series](#)

Mates With
[52117](#)

Use With
[50038](#)



- NOTES**
- 1.ACCEPTS CRIMP TERMINAL:50038-8*00
 - 2.MATE'L :
CAP ;POLYESTER(15%G.F.)
HOUSING;POLYESTER(15%G.F.)
SEAL ;SILICONE
 - 3.MATES WITH:52117-03**
 - 4.COLOR IN THE CHART INDICATES HOUSING COLOR

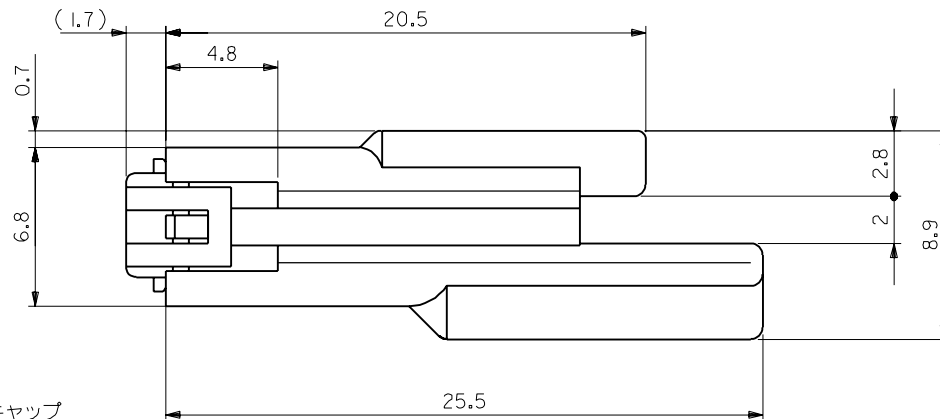
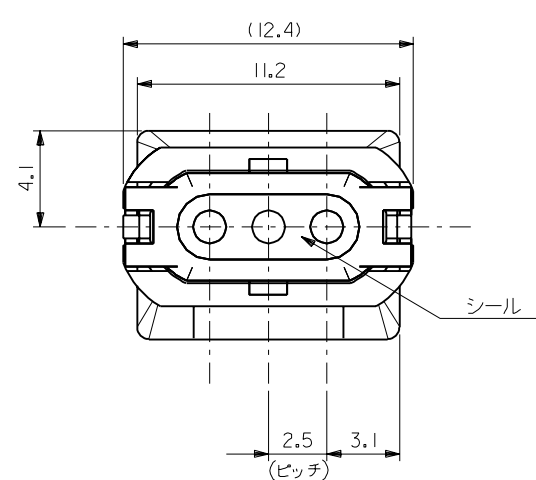


FULLY MATED CONDETION

AVSO.3, AWG*20-22	RED	52116-0342
AVSO.3, AWG*20-22	BLACK	52116-0341
AVSO.3, AWG*20-22	WHITE	52116-0340
WIRE RANGE	COLOR	ENG. NO.

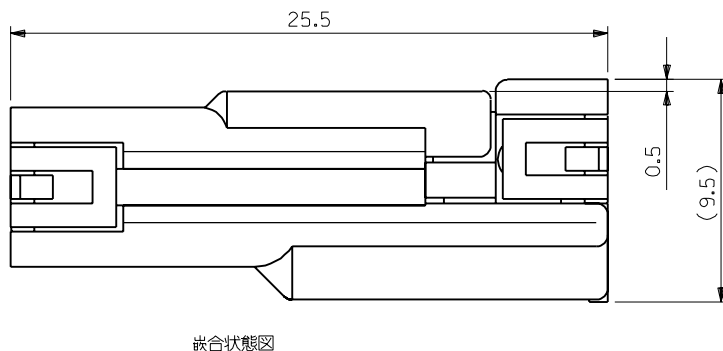
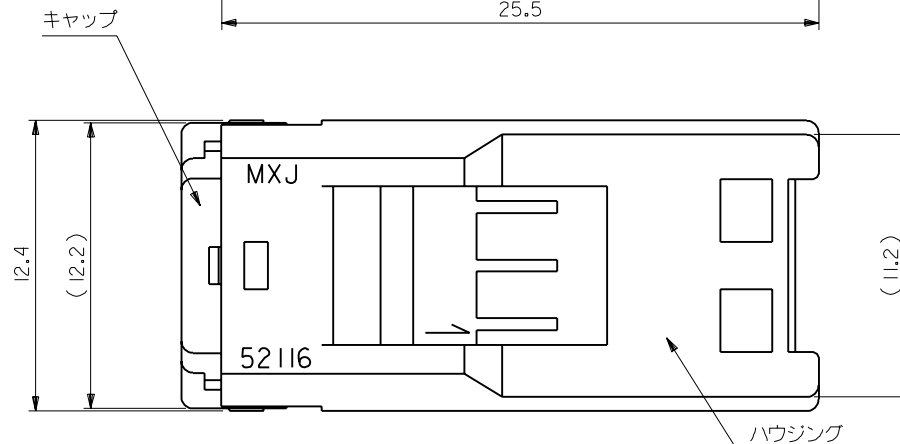
E REVISED(J90218)		Y.A	3/16/89	材料 MATERIAL	SEE NOTES	molex MOLEX-JAPAN CO.,LTD. 日本モレックス株式会社
D REVISED(J80600)		Y.A	7/8/88			
C REVISED(J80600)		Y.A	7/8/88	仕上げ FINISH	//	EDP. NO. //
B RELEASED		ECH NO. 6338	M.S	適用電線範囲 WIRE RANGE	SEE CHART	ENG. NO. SD-52116-03**
A REVISED			M.S	被覆外径 INS. RANGE	φ 1.8-1.9	REV E
O PROPOSED			M.S	DRAWN BY	M.SAKANO	TITLE 名称 2.5 SPLASH PROOF CONN. PLUG HS'G ASS'Y W/POSITIVE LOCK
記号 LTR		変更内容 REVISION RECORD	DR. CHK. DATE	CHK'D BY	M.SAKANO	
一般公差 GENERAL TOLERANCES		REVISION RECORD		APP'D BY	M.ENOMOTO	尺 度 SCALE 5-1

THIS DRAWING CONTAINS INFORMATION THAT IS PROPRIETARY TO MOLEX(JAPAN) AND SHOULD NOT BE USED WITHOUT WRITTEN PERMISSION
本図面は日本モレックス(株)の所有する情報を含むもので 当社の許可なく複製を禁止する。



注記

- 適合ターミナル:50038-8*00
- 材料:
 キャップ :ポリエステル(ガラス15%含有)
 ハウジング:ポリエステル(ガラス15%含有)
 シール :シリコンゴム
- 適合相手 : 52117-03**
- 表の色はハウジングの色別を表す。



嵌合状態図

AVSO.3, AWG#20-22	赤	52116-0342
AVSO.3, AWG#20-22	黒	52116-0341
AVSO.3, AWG#20-22	白	52116-0340
適用電線範囲	色	ENG. NO.

E 変更 (J90218)		Y.A	3/16/89	材料	注記参照	molex MOLEX-JAPAN CO.,LTD. 日本モレックス株式会社
D 変更 (J80600)		Y.A	7/8/88	仕上げ		
C 変更 (J80532)		Y.A	6/16/88	FINISH		
B 変更 EGN NO. 6338		M.S	8/26/87	適用電線範囲	表参照	EDP. NO. //
A 変更		M.S	6/25/87	WIRE RANGE		ENG. NO. SD-52116-03**
O 新規作図		M.S	6/10/87	被覆外径	φ 1.8-1.9	REV E
記号 LTR		変更内容	DR. CHK. DATE	INS. RANGE	CHK'D BY	TITLE 名称
一般公差		REVISION RECORD		APPD BY	M.SAKANO	2.5 SPLASH PROOF CONN. PLUG HS'G
GENERAL TOLERANCES		REVISION RECORD		SCALE	M.ENOMOTO	ASS'Y W/POSITIVE LOCK
		REVISION RECORD			5-1	