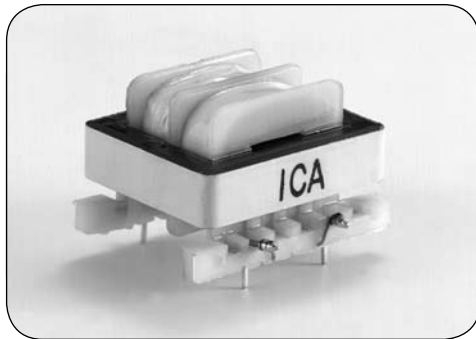


C02 Series Common Mode Chokes -- EE



Features

- Low cost achieved through use of standard EE cores
- 3750 Vrms isolation
- Meets UL, CSA and VDE requirements
- Utilizes UL Class B system

Applications

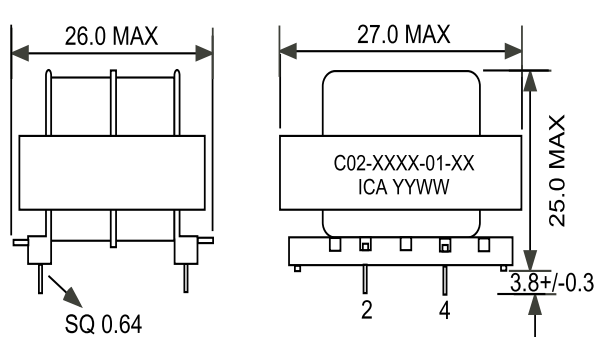
- Off-Line SMPS
- Conducted EMI Filters
- Telecom Power Equipment

Packaging

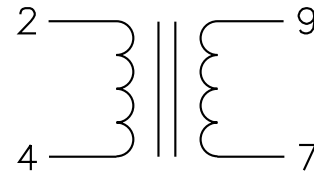
- C02-XXXX-01-XX Tray=48 pieces, Box=5 trays, Box=240 pieces
- C02-XXXX-02-XX Tray=32 pieces, Box=6 trays, Box=192 pieces
- C02-XXXX-03-XX Tray=32 pieces, Box=6 trays, Box=192 pieces



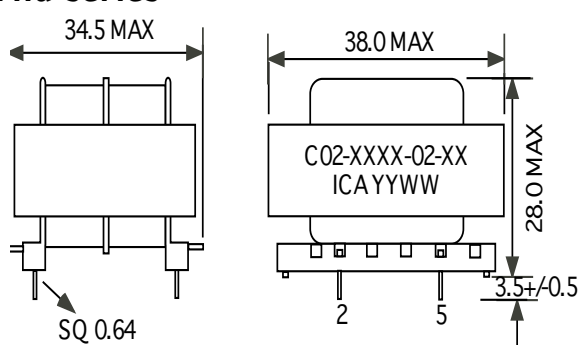
Low series



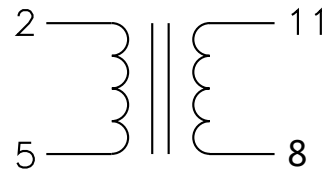
Schematic



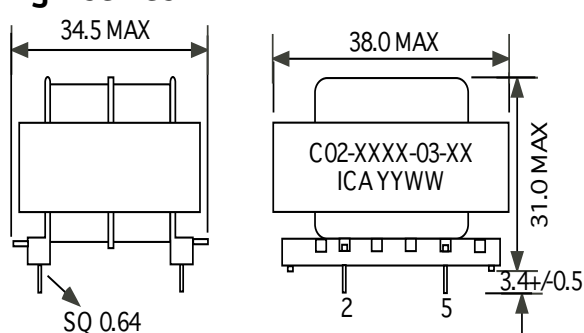
Mid series



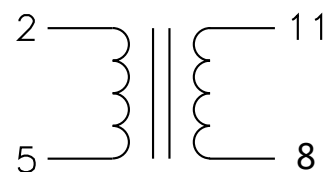
Schematic



High series



Schematic



ELECTRICAL SPECIFICATIONS — LOW SERIES

Part Number	Inductance (mH min.)*	IDC (Amps)	Lkg. L (uH max.)*	DCR (Ohms max.)	Isolation (V rms)
C02-1210-01-00	121	0.2	3000	7.5	3750
C02-0193-01-00	19.3	0.5	530	1.4	3750
C02-0061-01-00	6.1	0.8	170	0.55	3750
C02-0041-01-00	4.1	1	130	0.32	3750
C02-0024-01-00	2.4	1.2	70	0.2	3750
C02-0021-01-00	2.1	1.5	65	0.17	3750
C02-0012-01-00	1.2	1.8	45	0.095	3750
C02-0010-01-00	1	2	35	0.075	3750
C02-0007-01-00	0.7	2.2	25	0.065	3750
C02-0006-01-00	0.6	2.5	22	0.055	3750
C02-0006-01-01	0.6	2.8	20	0.045	3750
C02-0005-01-00	0.5	3	16	0.04	3750

*Measured @ 10kHz, 0.5 V rms

ELECTRICAL SPECIFICATIONS — MID SERIES

Part Number	Inductance (mH min.)*	IDC (Amps)	Lkg. L (uH max.)*	DCR (Ohms max.)	Isolation (V rms)
C02-1470-02-00	147	0.6	3800	3.5	3750
C02-1000-02-00	100	0.8	2800	2.1	3750
C02-0440-02-00	44	1	1200	1.1	3750
C02-0240-02-00	24	1.5	650	0.6	3750
C02-0140-02-00	14	2	410	0.35	3750
C02-0092-02-00	9.2	2.5	270	0.25	3750
C02-0056-02-00	5.6	3	160	0.2	3750
C02-0032-02-00	3.2	3.5	95	0.09	3750

*Measured @ 10kHz, 0.5 V rms

ELECTRICAL SPECIFICATIONS — HIGH SERIES

Part Number	Inductance (mH min.)*	IDC (Amps)	Lkg. L (uH max.)*	DCR (Ohms max.)	Isolation (V rms)
C02-2000-03-00	200	0.6	4100	3.3	3750
C02-0840-03-00	84	1	2000	1.7	3750
C02-0340-03-00	34	1.4	750	0.7	3750
C02-0300-03-00	30	1.8	620	0.55	3750
C02-0135-03-00	13.5	2.2	300	0.3	3750
C02-0121-03-00	12.1	2.5	270	0.28	3750
C02-0110-03-00	11	2.7	250	0.25	3750
C02-0105-03-00	10.5	3	230	0.21	3750
C02-0067-03-00	6.7	3.2	170	0.17	3750
C02-0062-03-00	6.2	3.5	150	0.15	3750
C02-0043-03-00	4.3	3.7	100	0.1	3750
C02-0039-03-00	3.9	4	95	0.09	3750

*Measured @ 10kHz, 0.5 V rms