

CMOS MICROPROCESSOR MONITOR CIRCUIT

Features

- Precision Voltage Monitor - 5% or 10% power supply selected by TOL pin
- Power On or Out of Tolerance Reset
- Watchdog timer - 150ms, 600ms, or 1.2 sec
- Pushbutton monitoring for external override

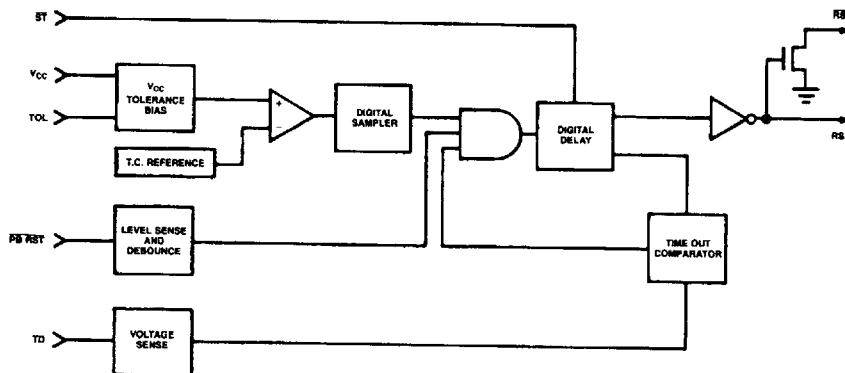
- Low power CMOS
- Space saving 8-pin DIP, 16 pin SOIC
- Pin compatible with DS1232
- Industrial temperature range

..... **Contact factory for complete data sheet.**

Product Description

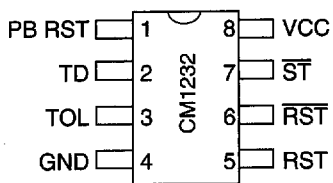
The CMD Microprocessor Monitor circuit features precision circuitry for simplified monitoring of microprocessor systems: power supply monitoring, software execution checking, and external override. A temperature compensated reference circuit monitors power (VCC) and forces reset active whenever an out of tolerance condition occurs. Reset is held active for 250ms after VCC returns to an in tolerance condition. Software execution is monitored by the watchdog timer which will produce an active reset unless the strobe input is driven low prior to timeout. An external override is accomplished by the push button reset input which debounces the input and creates an active reset for a minimum of 250 ms. The combination of CMD's advanced CMOS and reduced system component count produces a more accurate and reliable system than is possible with discrete components.

Block Diagram

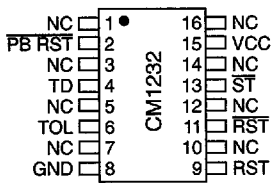




Pin Assignments



DIP



SOIC

Ordering Information

Example: CM1232 P I

Product Identification Number

Package

- P — Plastic DIP (8)
- F — SOIC, EIIA
- S — SOIC (16)

Temperature/Processing

- None — 0°C to +70°C, ±5% P.S. Tol.
- I — -40°C to +85°C, ±5% P.S. Tol.