

NAIS**SOLID STATE RELAY****AQ8-RELAYS**

UL File No.: E57520

CSA File No.: LR26550

TÜV File No.: 85011645510

FEATURES**1. So slim with 9 mm .354 inch thickness**

The thin type (45 mm long × 24 mm high × 9 mm wide) (1.772 × .945 × .354 inch) permits high density mounting.

2. Excellent in noise resistance

Since the input and output are insulated by the photo TRIAC coupler, the noise on the output side is not fed back to the input side.

3. Snubber circuit integrated

The snubber circuit is integrated to prevent malfunction caused by the rapid rise of the voltage on the output side, such as inductive load and noise.

4. Zero-cross and nonzero-cross types are available.

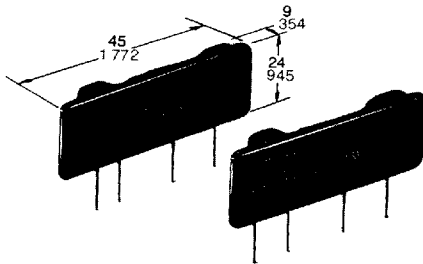
The zero-cross type generates minimal noise by suppressing occurrence of radio frequency interference (RFI) and electro-magnetic interference (EMI).

The nonzero-cross type features a short operation time which permits phase control.

5. High dielectric strength: 3,000 V AC (between input and output)**6. Two kinds of terminals distance are available. (5.08 mm and 7.62 mm) (.200 and .300 inch)****7. High reliability, long life and maintenance-free****APPLICATIONS**

Most suitable as drivers for small size AC motors, solenoids, solenoid valves and so on.

1. Copying equipment
2. Air conditioners
3. Industrial equipment such as NC machines, sequencers, robots and so on



mm inch

TYPES

Type	Input terminals distance	Load voltage	Input voltage	Part No.
Zero-cross type	5.08 mm .200 inch type	75 to 125 V AC	5 V DC	AQ2A1-C1-ZT5VDC
			12 V DC	AQ2A1-C1-ZT12VDC
			24 V DC	AQ2A1-C1-ZT24VDC
		75 to 250 V AC	5 V DC	AQ2A2-C1-ZT5VDC
			12 V DC	AQ2A2-C1-ZT12VDC
			24 V DC	AQ2A2-C1-ZT24VDC
	7.62 mm .300 inch type	75 to 125 V AC	5 V DC	AQ2A1-C2-ZT5VDC
			12 V DC	AQ2A1-C2-ZT12VDC
			24 V DC	AQ2A1-C2-ZT24VDC
		75 to 250 V AC	5 V DC	AQ2A2-C2-ZT5VDC
			12 V DC	AQ2A2-C2-ZT12VDC
			24 V DC	AQ2A2-C2-ZT24VDC
Nonzero-cross type	5.08 mm .200 inch type	75 to 125 V AC	5 V DC	AQ2A1-C1-T5VDC
			12 V DC	AQ2A1-C1-T12VDC
			24 V DC	AQ2A1-C1-T24VDC
		75 to 250 V AC	5 V DC	AQ2A2-C1-T5VDC
			12 V DC	AQ2A2-C1-T12VDC
			24 V DC	AQ2A2-C1-T24VDC
	7.62 mm .300 inch type	75 to 125 V AC	5 V DC	AQ2A1-C2-T5VDC
			12 V DC	AQ2A1-C2-T12VDC
			24 V DC	AQ2A1-C2-T24VDC
		75 to 250 V AC	5 V DC	AQ2A2-C2-T5VDC
			12 V DC	AQ2A2-C2-T12VDC
			24 V DC	AQ2A2-C2-T24VDC

Remark: Standard packing Carton: 20 pcs. Case: 200 pcs.

RATINGS

1. Ratings (Ambient temperature: 20°C, 68°F; Voltage ripple on the input side: 1% or less)

1) Zero-cross type

Part No.		AQ2A1-C1-ZT5VDC AQ2A1-C2-ZT5VDC	AQ2A1-C1-ZT12VDC AQ2A1-C2-ZT12VDC	AQ2A1-C1-ZT24VDC AQ2A1-C2-ZT24VDC	AQ2A2-C1-ZT5VDC AQ2A2-C2-ZT5VDC	AQ2A2-C1-ZT12VDC AQ2A2-C2-ZT12VDC	AQ2A2-C1-ZT24VDC AQ2A2-C2-ZT24VDC	Remarks
Input side	Control voltage	5 V DC (4 to 6 V)	12 V DC (9.6 to 14.4 V)	24 V DC (21.6 to 26.4 V)	5 V DC (4 to 6 V)	12 V DC (9.6 to 14.4 V)	24 V DC (21.6 to 26.4 V)	The parenthesized values represent the allowable voltage ranges
	Input impedance	Approx. 0.18 kΩ	Approx. 0.55 kΩ	Approx. 1.4 kΩ	Approx. 0.18 kΩ	Approx. 0.55 kΩ	Approx. 1.4 kΩ	
	Drop-out voltage	0.5 V, min.	1.2 V, min.	2.4 V, min.	0.5 V, min.	1.2 V, min.	2.4 V, min.	
Load side	Max. load current	2 A* ¹						At ambient temperature of 30°C or less
	Load voltage	75 to 125 V AC			75 to 250 V AC			
	Frequency	45 to 65 Hz						
	Repetitive peak OFF voltage	400 V			600 V			
	Non-repetitive surge current	30 A* ²						In one cycle at 60 Hz
	Max. "OFF-state" leakage current	2.5 mA/100 V applied			5 mA/200 V applied			at 60 Hz
	Max. "ON-state" voltage drop	1.6 V						For max. carrying current
	Min. load current	25 mA* ³			50 mA* ³			
	OFF state dV/dt	50 V/μs						At ambient temperature of 80°C

2) Non zero-cross type

Part No.		AQ2A1-C1-T5VDC AQ2A1-C2-T5VDC	AQ2A1-C1-T12VDC AQ2A1-C2-T12VDC	AQ2A1-C1-T24VDC AQ2A1-C2-T24VDC	AQ2A2-C1-T5VDC AQ2A2-C2-T5VDC	AQ2A2-C1-T12VDC AQ2A2-C2-T12VDC	AQ2A2-C1-T24VDC AQ2A2-C2-T24VDC	Remarks
Input side	Control voltage	5 V DC (4 to 6 V)	12 V DC (9.6 to 14.4 V)	24 V DC (21.6 to 26.4 V)	5 V DC (4 to 6 V)	12 V DC (9.6 to 14.4 V)	24 V DC (21.6 to 26.4 V)	The parenthesized values represent the allowable voltage ranges
	Input impedance	Approx. 0.3 kΩ	Approx. 0.8 kΩ	Approx. 1.8 kΩ	Approx. 0.3 kΩ	Approx. 0.8 kΩ	Approx. 1.8 kΩ	
	Drop-out voltage	0.5 V, min.	1.2 V, min.	2.4 V, min.	0.5 V, min.	1.2 V, min.	2.4 V, min.	
Load side	Max. load current	2 A* ¹						At ambient temperature of 30°C or less
	Load voltage	75 to 125 V AC			75 to 250 V AC			
	Frequency	45-65 Hz						
	Repetitive peak OFF voltage	400 V			600 V			
	Non-repetitive surge current	30 A* ²						In one cycle at 60 Hz
	Max. "OFF-state" leakage current	2.5 mA/100 V applied			5 mA/200 V applied			
	Max. "ON-state" voltage drop	1.6 V						For max. load current
	Min. load current	25 mA* ³			50 mA* ³			
	OFF state dV/dt	50 V/μs						At ambient temperature of 80°C

Notes: *1) Refer to Data 1, characteristics of load current vs. ambient temperature.

*2) Refer to Data 2, characteristics of non-repetitive surge current vs. carrying time.

*3) When the load current is less than the min. load current, refer to "Points to note for operation".

2. Performance (Ambient temperature: 20°C, 68°F; Input voltage ripple: 1% or less)

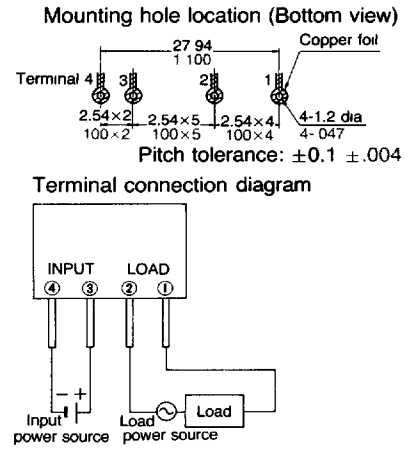
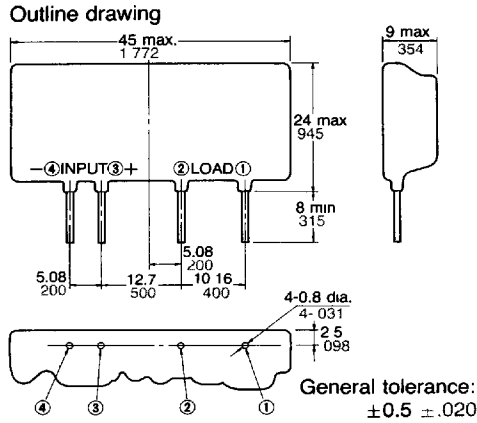
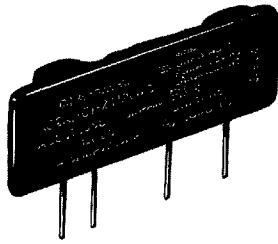
Item	Type	Zero-cross type	Non zero-cross type	Remarks
Operate time, max.		1/2 cycle+1 msec.	1 msec.	
Release time, max.		1/2 cycle+1 msec.		
Insulation resistance, min.		10 ⁹ Ω across input and output		at 500 V DC
Breakdown voltage		3,000 V AC across input and output		For 1 minute
Vibration resistance	Functional	10 to 55 Hz at double amplitude of 3 mm		10 min. for X, Y, Z axis
	Destructive	10 to 55 Hz at double amplitude of 3 mm		1 hour for X, Y, Z axis
Shock resistance	Functional	Min. 100 G		4 times each for X, Y, Z axis
	Destructive	Min. 100 G		5 times each for X, Y, Z axis
Ambient temperature		-30°C to +80°C	-22°F to +176°F	
Storage temperature		-30°C to +100°C	-22°F to +212°F	
Operational method		Zero-cross (Turn ON and Turn OFF)	Random turn ON, zero-cross turn OFF	

0955276 0002758 T22

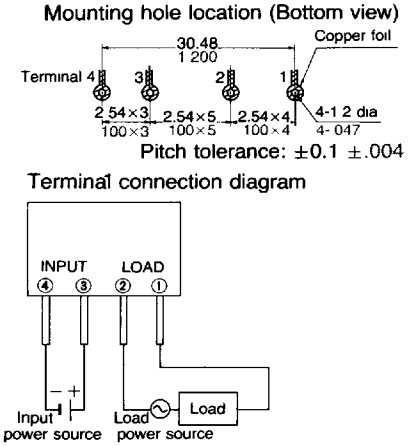
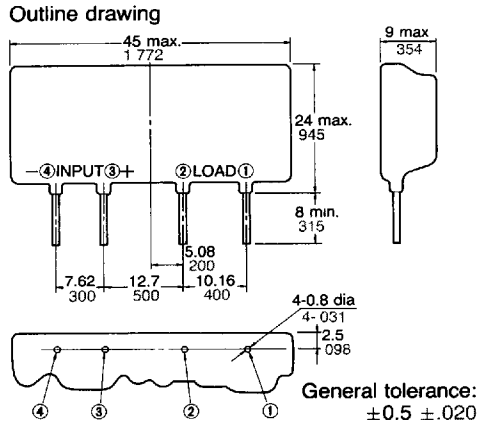
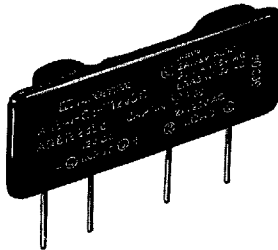
DIMENSIONS mm inch

(Common for zero-cross and non-zero-cross types)

1. Input terminals distance
5.08 mm .200 inch

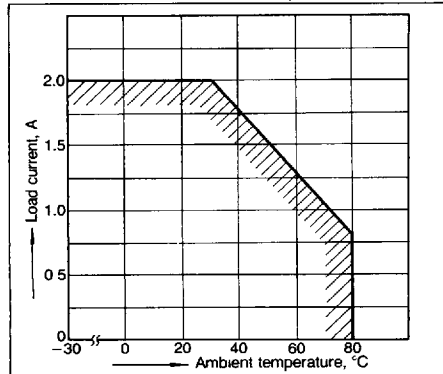


2. Input terminals distance
7.62 mm .300 inch

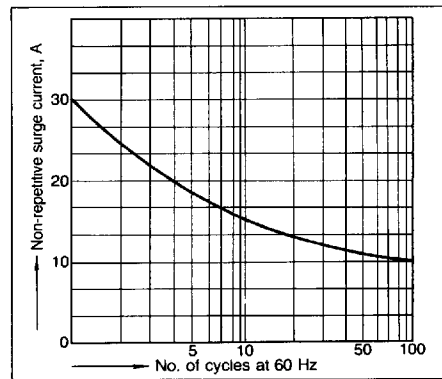


DATA

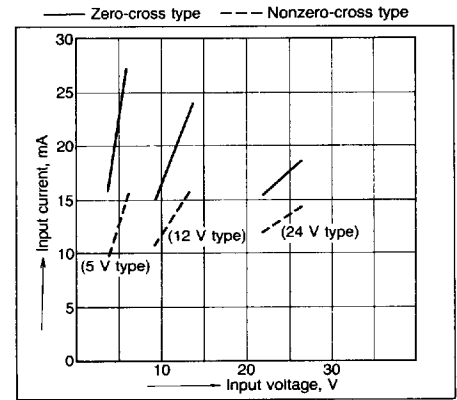
1. Characteristics of load current vs. ambient temperature
Conditions: Natural cooling



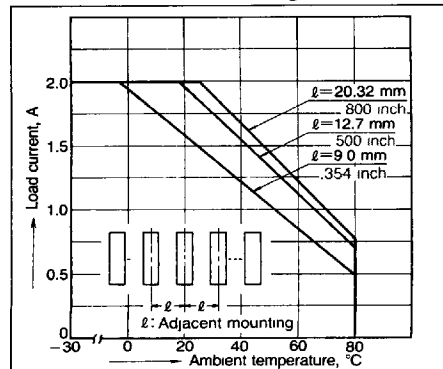
2. Characteristics of non-repetitive surge current vs. carrying time



3. Characteristics of input current vs. input voltage



4. Characteristics of load current vs. ambient temperature for adjacent mounting
Conditions: Natural cooling



Approved standards list (as of July, 1986)

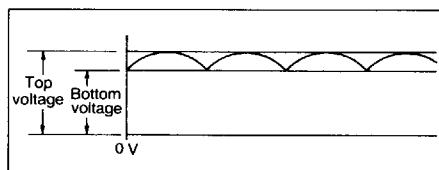
Product name	File No.	Qualified ratings
AQ8	UL E95895	2 A 125 V AC, 250 V AC 1 A FLA 125 V AC, 250 V AC
	CSA LR26550	6 A LRA 125 V AC, 250 V AC 2 A 125 V AC "L"

CAUTIONS FOR OPERATION

1. Ripple included in the input voltage

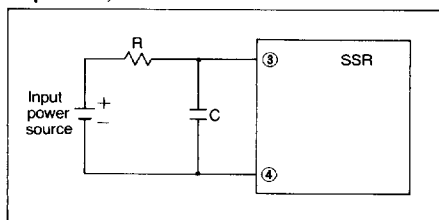
When ripple is included in the input voltage, the top and bottom voltages of the ripple shall comply with the following:

Control voltage	Bottom voltage	Top voltage
5 V DC	4 V or more	6 V or less
12 V DC	9.6 V or more	14.4 V or less
24 V DC	21.6 V or more	26.4 V or less



2. Noise surge protection on the input side.

When large noise or surge is applied on the input side, malfunction or breakage may result. In this case, insert the noise absorption circuit which comprises capacitor, resistor and so on.

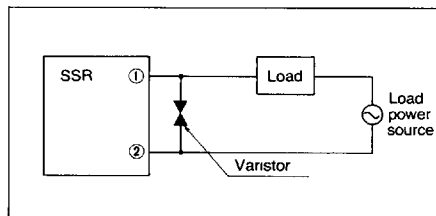


3. When attached near heating units or other solid state relays

Since the ambient temperature may rise, care shall be taken for the arrangement and ventilation of the solid state relays referring to "Characteristics of load current vs. ambient temperature for adjacent mounting"

4. Noise surge protection on the output side

When large noise or surge is applied on the output side, malfunction or breakage may result. In this case, insert a varistor.

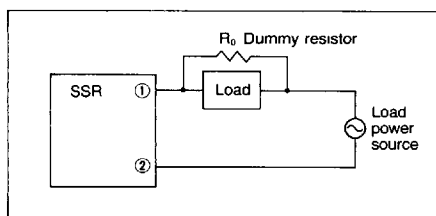


5. When used for the load less than rated

In case of the load current less than rated, malfunction may result from the residual voltage across the both ends of the load even if the solid state relay is turned off.

Use a dummy resistor as a countermeasure.

The total of the current through the resistor and the load current must exceed the min. rated load current.

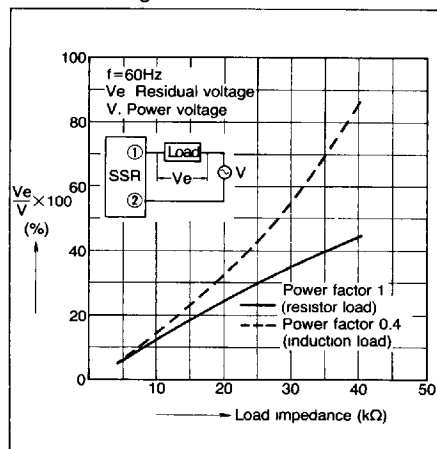


In case the dummy resistor is not used, keep in mind that the residual voltage becomes as follows:

Example:

For the inductive load by the 20 mA load current and the 200 V AC load voltage, the load impedance becomes 10 kΩ and $V_e/V = 14\%$ is estimated from the right above graph. Accordingly, the 28 V voltage remains across the both ends of the load when the solid state relay is turned off.

• Characteristics of load impedance vs. residual voltage



6. Solder the terminals within 5 seconds at 260°C 500°F.

7. When the terminal is bent

Care shall be taken neither to apply mechanical stresses to the mold area of the solid state relay nor to bend the terminal 45 degrees or more.

