

## Series CN091S RJ45 Connector for AdvancedMC™

### Features

- Cat5e data transmission
- High EMI requirements
- Robust and vibration prove design
- With LED green/yellow

Height from the PCB	7.59mm
Total height	12.00mm
Width	59.40mm



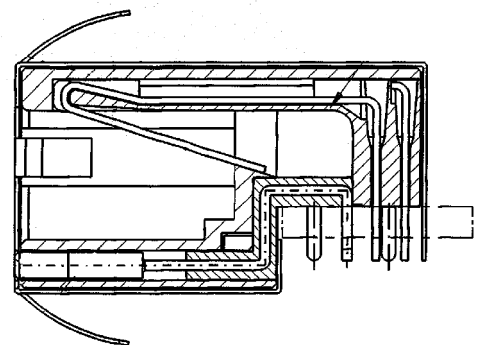
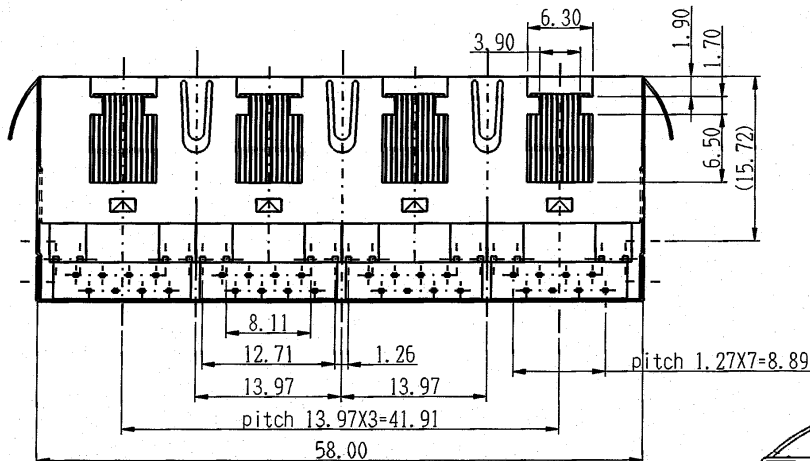
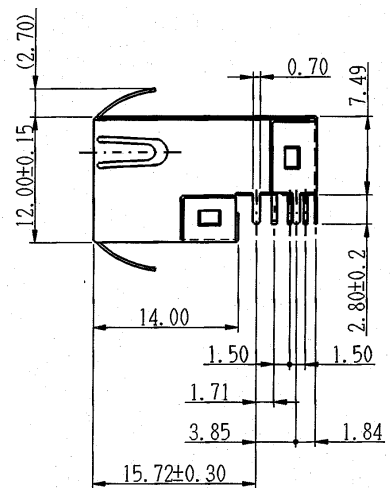
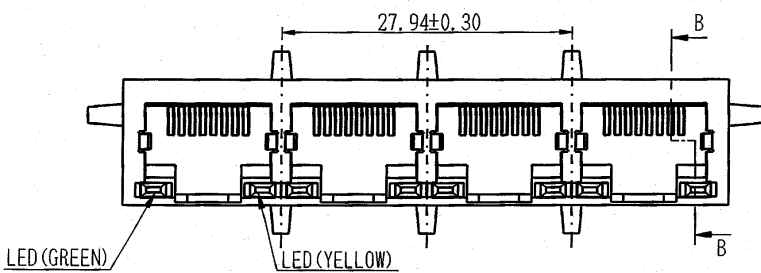
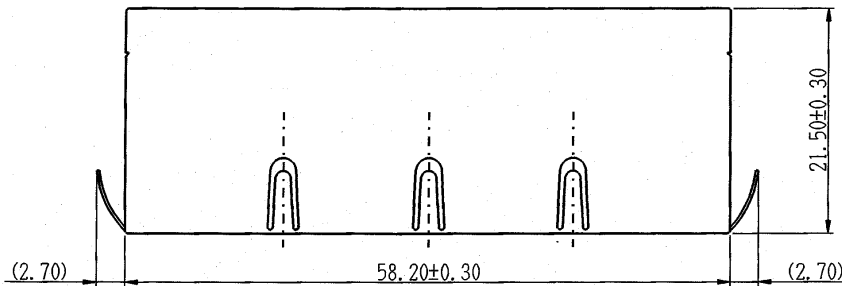
### Part Number (Details)

**CN091S - 0411**

Series

Design Number

### Outline Connector Dimensions CN091S



Section B-B

AdvancedMC Connectors for AdvancedTCA