

**PLEASE CHECK WWW.MOLEX.COM FOR LATEST PART INFORMATION**

**Part Number:** [0391001106](#)  
**Status:** **Active**  
**Description:** 10.00mm (.394") Pitch Beau™ Eurostyle™ Two-Screw Terminal Strips, 6 Circuits, Low Profile

**Documents:**

[3D Model](#) [RoHS Certificate of Compliance \(PDF\)](#)  
[Drawing \(PDF\)](#)

**Agency Certification**

CSA 25562  
 UL E82573

**General**

Product Family Terminal Blocks  
 Series [39100](#)  
 Application Wire-to-Wire  
 Component Type One Piece  
 Product Literature Order No USA-303  
 Product Name Eurostyle™ Two Screw  
 Type Euro Block

**Physical**

Circuits (Loaded) 6  
 Entry Angle Horizontal  
 Flammability 94V-2  
 Lock to Mating Part None  
 Number of Rows 2  
 Orientation Vertical  
 PCB Retention Yes  
 Panel Mount Mounting Holes Between Circuit  
 Pitch - Mating Interface (in) 0.394 In  
 Pitch - Mating Interface (mm) 10.00 mm  
 Pitch - Term. Interface (in) 0.315 In  
 Pitch - Term. Interface (mm) 8.00 mm  
 Polarized to Mating Part No  
 Stackable No  
 Temperature Range - Operating 100°C  
 Wire Size AWG 10, 12, 14, 16, 18

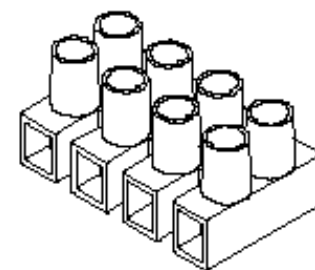
**Electrical**

Current - Maximum per Contact 30A  
 Voltage - Maximum 300V

**Material Info**

**Reference - Drawing Numbers**

Sales Drawing SD-39100-003



Series

image - Reference only

**EU RoHS**

**ELV and RoHS Compliant**  
**REACH SVHC**  
 Not Reviewed  
**Halogen-Free Status**  
**Not Reviewed**

**China RoHS**



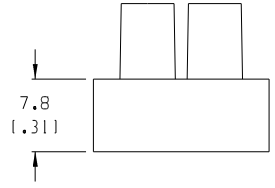
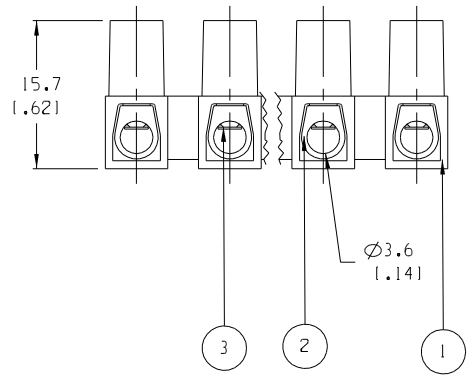
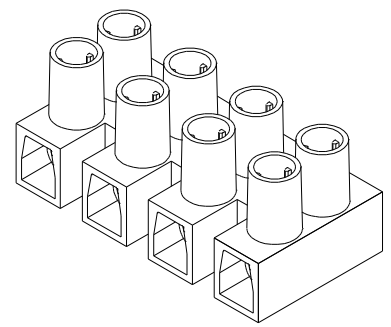
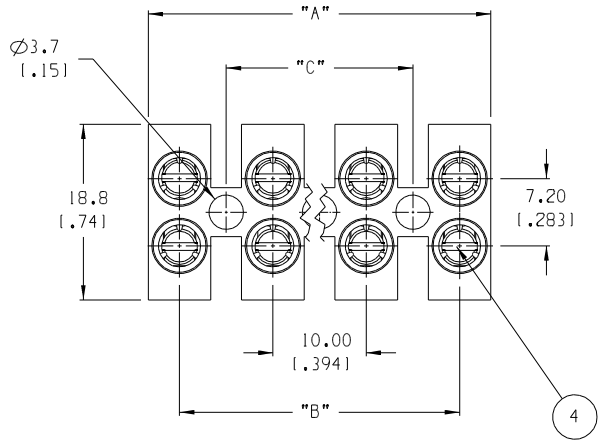
**Need more information on product environmental compliance?**

Email [productcompliance@molex.com](mailto:productcompliance@molex.com)  
 For a multiple part number RoHS Certificate of Compliance, [click here](#)

Please visit the [Contact Us](#) section for any non-product compliance questions.

**Search Parts in this Series**

[39100Series](#)



NUMBER OF CIRCUITS	"A" DIM.	"B" DIM.	"C" DIM.	MATERIAL NUMBER
01	7.00 [2.761]	N/A	N/A	391001101
02	17.00 [1.6691]	10.00 [1.394]	N/A	391001102
03	27.00 [1.0631]	20.00 [1.7871]	10.00 [1.394]	391001103
04	37.00 [1.4571]	30.00 [1.1811]	20.00 [1.7871]	391001104
05	47.00 [1.8501]	40.00 [1.5751]	30.00 [1.1811]	391001105
06	57.00 [2.2441]	50.00 [1.9691]	40.00 [1.5751]	391001106
07	67.00 [2.6381]	60.00 [2.3621]	50.00 [1.9691]	391001107
08	77.00 [3.0311]	70.00 [2.7561]	60.00 [2.3621]	391001108
09	87.00 [3.4251]	80.00 [3.1501]	70.00 [2.7561]	391001109
10	97.00 [3.8191]	90.00 [3.5431]	80.00 [3.1501]	391001110
11	107.00 [4.2131]	100.00 [3.9371]	90.00 [3.5431]	391001111
12	117.00 [4.6061]	110.00 [4.3311]	100.00 [3.9371]	391001112

- NOTES:
1. MATERIAL: SEE TABLE
  2. FINISHES: SEE TABLE
  3. PRODUCT SPECIFICATION: NOT REQUIRED
  4. PACKAGING: NOT REQUIRED
  5. MATES WITH: NONE
  6. "XX" REFERS TO THE NUMBER OF CIRCUITS

ITEM	QTY.	DESCRIPTION	MATERIAL	FINISH
4	XX*2	CLAMPING SCREWS, M3	STEEL	ZINC
3	XX	WIRE PROTECTOR	BRASS	NICKEL
2	XX	TERMINAL	BRASS	NICKEL
1	1	INSULATOR	NYLON 6	CLEAR

EC NO. RELEASED DRAWN: JF 09-09-04 CH: K1 APPR:	DESCRIPTION MAJOR CRITICAL SPC S	GENERAL TOLERANCES: (UNLESS SPECIFIED) mm      INCH		SCALE 2:1	DESIGN UNITS <input type="checkbox"/> mm <input checked="" type="checkbox"/> INCH	THIRD ANGLE PROJECTION	PROJECT NO. - -      -
		4 PLACES      ±.0015 3 PLACES      ±.038      ±.005 2 PLACES      ±.13      ±.01 1 PLACE      ±.3		DRAWN BY & DATE J. FARMER      09-09-04	TITLE: 10MM PITCH LOW PROFILE WITH WIRE PROTECTORS		
		ANGULAR: ±2°		CHECKED BY & DATE	MOLEX INCORPORATED		
		DRAFT WHERE APPLICABLE MUST REMAIN WITHIN DIMENSIONS		APPROVED BY & DATE	CAD FILENAME 39100-11XX	MATERIAL NO. SEE CHART	DRAWING NO. SD-39100-003

THIS DRAWING CONTAINS INFORMATION THAT IS PROPRIETARY TO MOLEX INCORPORATED AND SHOULD NOT BE USED WITHOUT WRITTEN PERMISSION.

