

**PLEASE CHECK WWW.MOLEX.COM FOR LATEST PART INFORMATION**

**Part Number:** **0476281212**  
**Status:** **Active**  
**Overview:** slimline serial ata odd connectors  
**Description:** 1.00mm(.039"), 1.27mm (.050") Pitch Slimline Serial ATA Plug for Optical Disk Drive, Vertical, Through hole, Bottom Mount, 0.10µm (4µ") Gold (Au) Plating, with Beveled Metal Pins, Lead-free

**Documents:**

[3D Model](#) [Product Specification PS-47628-001 \(PDF\)](#)  
[Drawing \(PDF\)](#) [RoHS Certificate of Compliance \(PDF\)](#)

**Agency Certification**

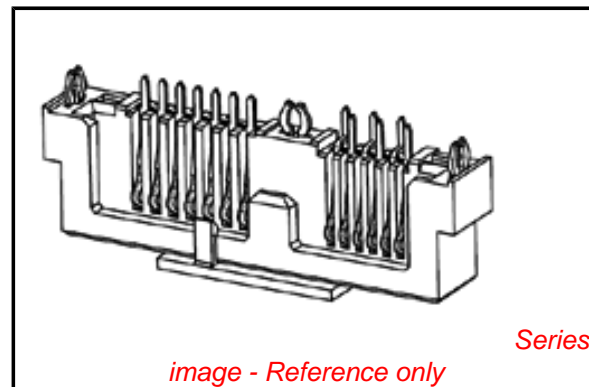
CSA LR 19980  
 UL E29179

**General**

Product Family PCB Headers  
 Series 47628  
 Application Board-to-Board  
 Comments Through Hole Type  
 Overview [slimline serial ata odd connectors](#)  
 Product Name Serial ATA, Slimline Serial ATA

**Physical**

Breakaway No  
 Circuits (Loaded) 13  
 Circuits (maximum) 13  
 Durability (mating cycles max) 500  
 First Mate / Last Break Yes  
 Flammability 94V-0  
 Glow-Wire Compliant No  
 Guide to Mating Part Yes  
 Keying to Mating Part Yes  
 Lock to Mating Part No  
 Material - Metal Copper Alloy  
 Material - Plating Mating Gold  
 Material - Plating Termination Tin  
 Material - Resin High Temperature Thermoplastic  
 Number of Rows 1  
 Orientation Vertical  
 PCB Locator Yes  
 PCB Retention Yes  
 Packaging Type Embossed Tape on Reel  
 Pitch - Mating Interface (in) 0.039 In, 0.050 In  
 Pitch - Mating Interface (mm) 1.00 mm, 1.27 mm  
 Pitch - Term. Interface (in) 0.039 In, 0.050 In  
 Pitch - Term. Interface (mm) 1.00 mm, 1.27 mm  
 Plating min: Mating (µin) 4  
 Plating min: Mating (µm) 0.10  
 Plating min: Termination (µin) 39  
 Plating min: Termination (µm) 1  
 Polarized to Mating Part Yes  
 Polarized to PCB Yes  
 Stackable No  
 Temperature Range - Operating -35°C to +85°C  
 Termination Interface: Style Through Hole



**EU RoHS**

**ELV and RoHS Compliant**

**REACH SVHC**

Not Reviewed

**Halogen-Free**

**Status**

**Not Halogen-Free**

**Need more information on product environmental compliance?**

Email [productcompliance@molex.com](mailto:productcompliance@molex.com)  
 For a multiple part number RoHS Certificate of Compliance, [click here](#)

Please visit the [Contact Us](#) section for any non-product compliance questions.

**China RoHS**



**Search Parts in this Series**

47628Series

**Mates With**

476393x00 Slimline SATA Receptacle

**Electrical**

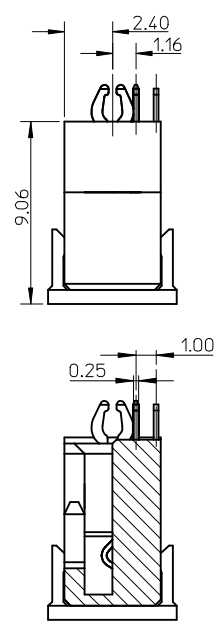
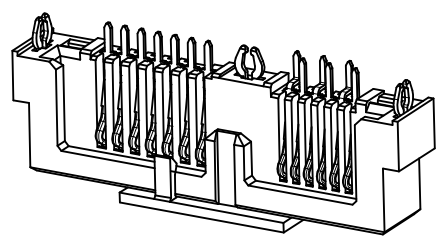
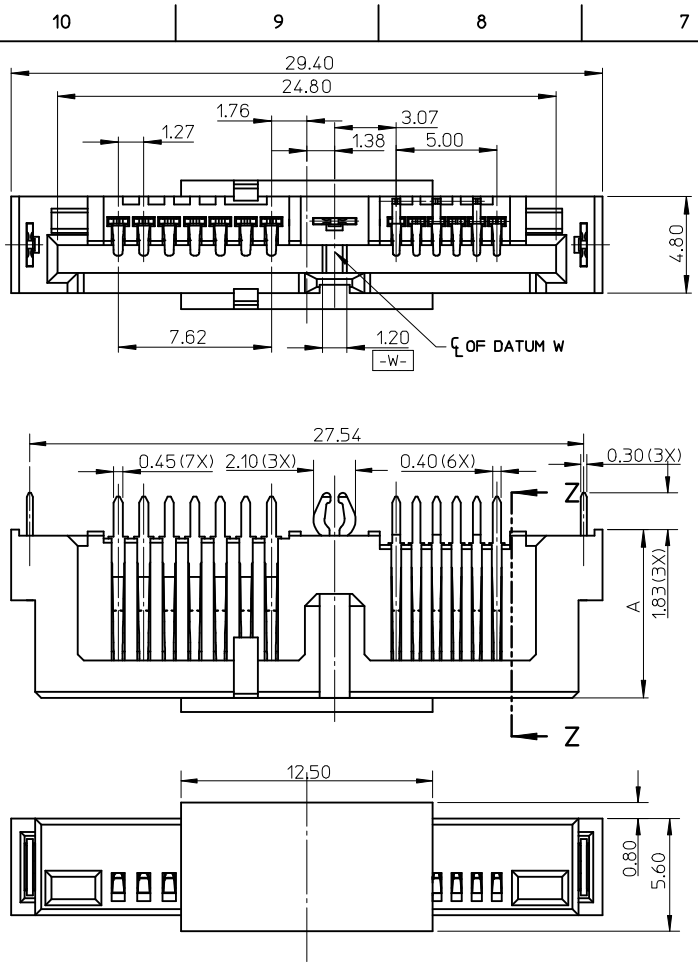
Current - Maximum per Contact 1.5A  
Voltage - Maximum 15V DC

**Material Info****Reference - Drawing Numbers**

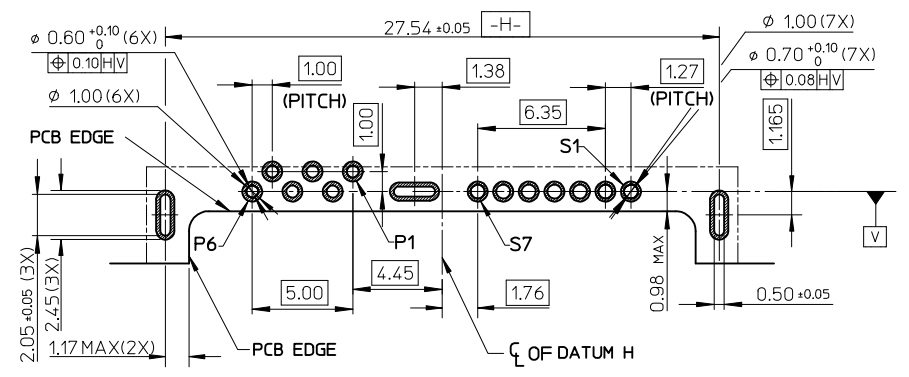
Packaging Specification PK-47628-012  
Product Specification PS-47628-001  
Sales Drawing SD-47628-200, SD-47639-400

This document was generated on 05/26/2010

**PLEASE CHECK [WWW.MOLEX.COM](http://WWW.MOLEX.COM) FOR LATEST PART INFORMATION**



- NOTES :
- MATERIAL :
    - HOUSING : HIGH TEMPERATURE THERMOPLASTIC, UL94V-0, BLACK
    - TERMINAL : COPPER ALLOY
    - FORKLOCK : COPPER ALLOY
  - PLATING :
    - TERMINAL :
      - CONTACT AREA : GOLD PLATING SPEC REFER TO CHART.
      - SOLDER AREA : TIN PLATING 1 MICRONS MIN.
      - UNDERPLATING : NICKEL PLATING 1.25 MICRONS MIN.
    - FORKLOCK :
      - TIN PLATING 1 MICRONS MIN. OVER NICKEL PLATING 1 MICRONS MIN.
  - PACKAGE: TAPE REEL, PK-47628-012.
  - PRODUCT SPEC: PS-47628-001.
  - THE PRODUCT COMPLIANT TO RoHS DIRECTIVES 2002/95/EC AND ELV 2000/53/EC.



SECTION Z-Z

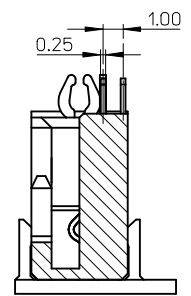
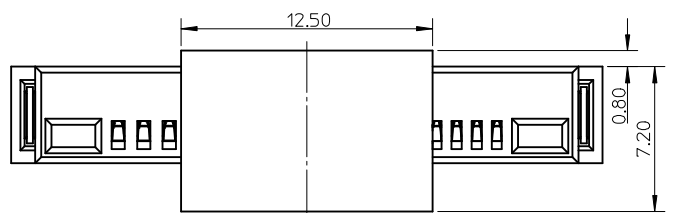
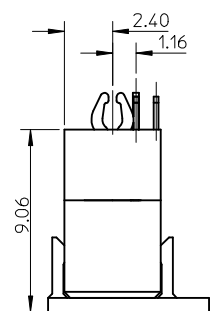
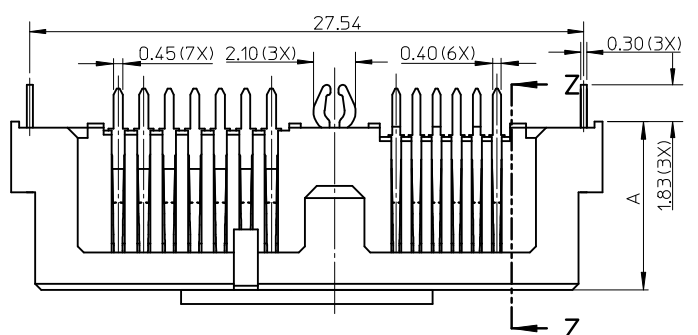
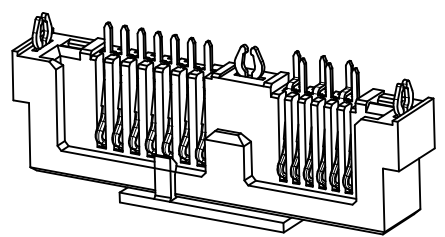
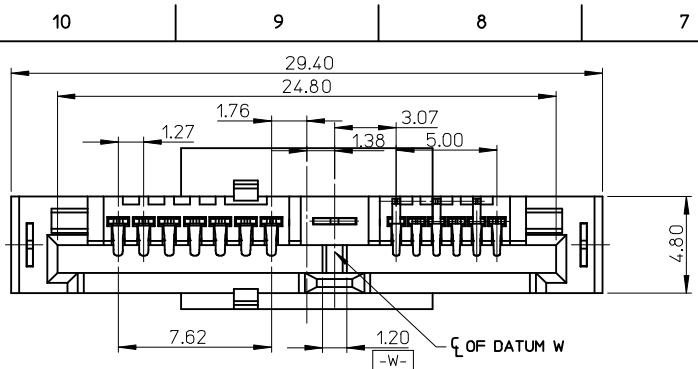
RECOMMENDED PCB LAYOUT (COMPONENT SIDE)

PCB THICKNESS = 1.2MM ± 0.05MM

P/N	CONTACT GOLD PLATING SPEC	DIM'A'
47628-1012	0.76 MICRONS MIN	8.36
47628-1112	0.38 MICRONS MIN	
47628-1212	0.10 MICRONS MIN	
N/A		8.56
N/A		8.76
N/A		8.96
N/A		9.16
N/A		9.36
N/A		9.56
N/A		9.76
N/A		9.96
N/A		10.16
N/A		10.36
N/A		10.56
N/A		10.76
N/A		10.96

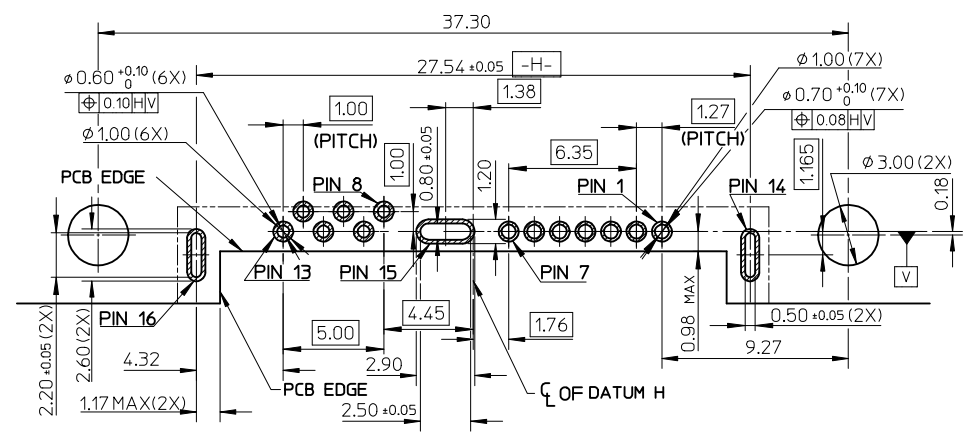
REVISED EC NO: SH2010-0070 DRW: NIGLI CHK: XJSONG APPR: RZHANG 2009/08/21 2009/08/21 2009/09/23	QUALITY SYMBOLS ▽=0 ▽=0	GENERAL TOLERANCES (UNLESS SPECIFIED)		DIMENSION STYLE <b>MM ONLY</b>	SCALE <b>4:1</b>	DESIGN UNITS <b>METRIC</b>	THIRD ANGLE PROJECTION		
		4 PLACES ± --- ± --- 3 PLACES ± --- ± --- 2 PLACES ± 0.15 ± --- 1 PLACE ± 0.25 ± ---	mm    INCH	DRAWN BY DIXON LI	DATE 2007/11/23	TITLE <b>HEADER OF 2 PIECES          SLIMLINE SATA          VERTICAL, DIP TYPE</b>			
		ANGULAR ± 3 °		CHECKED BY JOHNSON TIAN	DATE 2007/11/23	MOLEX INCORPORATED			
		DRAFT WHERE APPLICABLE MUST REMAIN WITHIN DIMENSIONS		APPROVED BY HARVEY WANG	DATE 2007/11/23	MATERIAL NO. <b>SEE CHART</b>	DOCUMENT NO. <b>SD-47628-200</b>	SHEET NO. <b>1 OF 1</b>	

THIS DRAWING CONTAINS INFORMATION THAT IS PROPRIETARY TO MOLEX INCORPORATED AND SHOULD NOT BE USED WITHOUT WRITTEN PERMISSION



SECTION Z-Z

- NOTES :
- MATERIAL :  
HOUSING : HIGH TEMPERATURE THERMOPLASTIC, UL94V-0, BLACK  
TERMINAL : COPPER ALLOY  
FORKLOCK : COPPER ALLOY
  - PLATING :  
TERMINAL :  
CONTACT AREA : GOLD PLATING SPEC REFER TO CHART.  
SOLDER AREA : MATTE TIN PLATING 1 MICRONS MIN.  
UNDERPLATING : NICKEL PLATING 1.25 MICRONS MIN.  
FORKLOCK :  
MATTE TIN PLATING 1 MICRONS MIN. OVER NICKEL PLATING 1 MICRONS MIN.
  - PACKAGE: TAPE REEL, PK-47628-012.
  - PRODUCT SPEC: PS-47628-001.
  - THE PRODUCT COMPLIANT TO RoHS DIRECTIVES 2002/95/EC AND ELV 2000/53/EC.



RECOMMENDED PCB LAYOUT (COMPONENT SIDE)

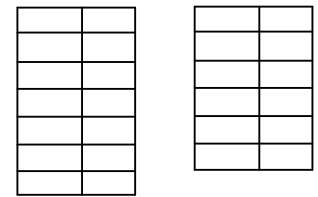
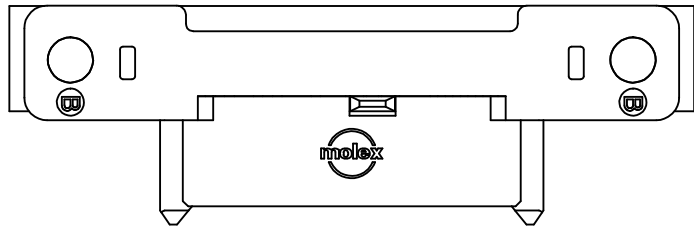
PCB THICKNESS = 1.2MM ± 0.05MM

P/N	CONTACT GOLD PLATING SPEC	DIM'A'
47628-1012	0.76 MICRONS MIN	8.36
47628-1112	0.38 MICRONS MIN	
47628-1212	0.10 MICRONS MIN	
N/A		8.56
N/A		8.76
N/A		8.96
N/A		9.16
N/A		9.36
N/A		9.56
N/A		9.76
N/A		9.96
N/A		10.16
N/A		10.36
N/A		10.56
N/A		10.76
N/A		10.96

RTM EC NO: SH2010-0070 DRW: NIGLLI CHKD: XJ SONG APPR: RZHANG	QUALITY SYMBOLS ▽=0 ▽=0	GENERAL TOLERANCES (UNLESS SPECIFIED)		DIMENSION STYLE	SCALE	DESIGN UNITS	THIRD ANGLE PROJECTION
		mm	INCH	MM ONLY	4:1	METRIC	
		4 PLACES ± ---	± ---	DRAWN BY	DATE	TITLE	
		3 PLACES ± ---	± ---	DIXON LI	2008/11/27	2 PIECES SLIMLINE SATA BOTTOM MOUNT TYPE (HEADER)	
2 PLACES ± 0.15	± ---	CHECKED BY	DATE	MOLEX INCORPORATED			
1 PLACE ± 0.25	± ---	STARY SONG	2008/11/27	SD-47639-400			
ANGULAR ± 3°		APPROVED BY	DATE	DOCUMENT NO.			
		HARVEY WANG	2008/11/27	SHEET NO.			
		MATERIAL NO.		1 OF 2			
		DRAFT WHERE APPLICABLE MUST REMAIN WITHIN DIMENSIONS		SEE CHART	THIS DRAWING CONTAINS INFORMATION THAT IS PROPRIETARY TO MOLEX INCORPORATED AND SHOULD NOT BE USED WITHOUT WRITTEN PERMISSION		

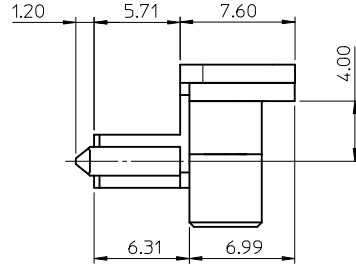
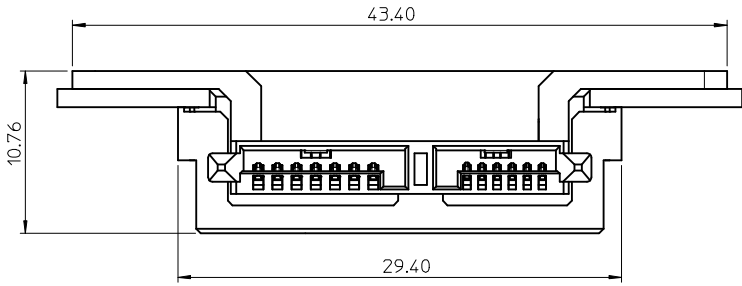
10 9 8 7 6 5 4 3 2 1

F



F

E



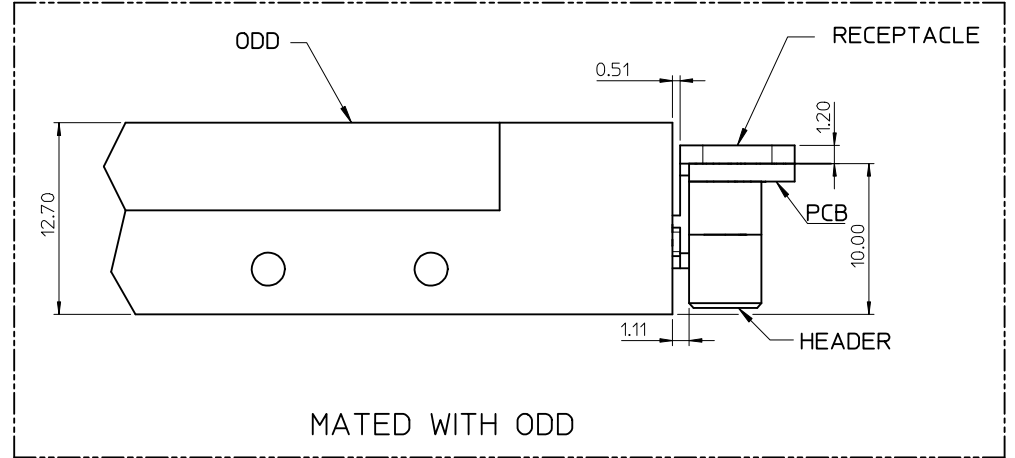
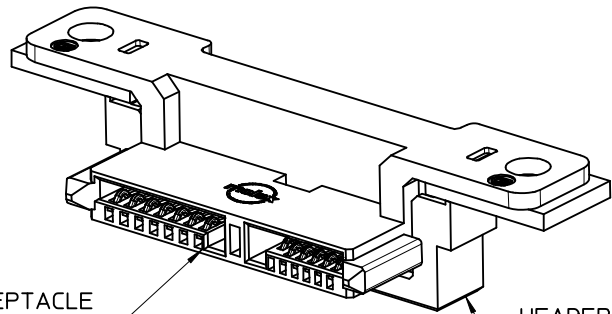
E

D

D

C

C



RECEPTACLE  
(47639-3\*00)

HEADER  
(47628-1\*12)

MATED WITH ODD

A

A

RTM EC NO: SH2010-0070 DRWG:GLL 2009/08/21 CHKD:XJSONG 2009/08/21 APPR:RZHANG 2009/09/23	QUALITY SYMBOLS	GENERAL TOLERANCES (UNLESS SPECIFIED)	DIMENSION STYLE	SCALE	DESIGN UNITS	THIRD ANGLE PROJECTION
	▼=0 ⊕=0	mm INCH 4 PLACES ± --- ± --- 3 PLACES ± --- ± --- 2 PLACES ± 0.15 ± --- 1 PLACE ± 0.25 ± --- ANGULAR ± 3 °	MM ONLY	3:1	METRIC	
	DESCRIPTION	DRAFT WHERE APPLICABLE MUST REMAIN WITHIN DIMENSIONS	DRAWN BY DATE DIXON LI 2008/11/27 CHECKED BY DATE STARY SONG 2008/11/27 APPROVED BY DATE HARVEY WANG 2008/11/27 MATERIAL NO.	TITLE	2 PIECES SLIMLINE SATA BOTTOM MOUNT TYPE (ASSEMBLY)	
	REV		SEE REMARK	MOLEX INCORPORATED DOCUMENT NO. SD-47639-400		SHEET NO. 2 OF 2

9 8 7 6 5 4 3 2 1