

PLEASE CHECK WWW.MOLEX.COM FOR LATEST PART INFORMATION

Part Number: **5023801300**
Status: **Active**
Overview: clikmate wiretoboard connectors
Description: 1.25mm (.049") Pitch CLIK-Mate™ Wire-to-Board Housing, Single Row, Positive Lock, 13 Circuits

Documents:

| | |
|---|---|
| 3D Model | Product Specification PS-502382-001 (PDF) |
| Application Specification (PDF) | RoHS Certificate of Compliance (PDF) |
| Drawing (PDF) | |

General

| | |
|----------------|--|
| Product Family | Crimp Housings |
| Series | <u>502380</u> |
| Overview | <u>clikmate wiretoboard connectors</u> |
| Product Name | CLIK-Mate™ |

Physical

| | |
|-------------------------------|----------------|
| Breakaway | No |
| Circuits (maximum) | 13 |
| Color - Resin | White |
| Gender | Plug |
| Glow-Wire Compliant | No |
| Keying to Mating Part | Yes |
| Lock to Mating Part | Yes |
| Material - Resin | Polyester |
| Number of Rows | 1 |
| Packaging Type | Bag |
| Panel Mount | No |
| Pitch - Mating Interface (in) | 0.049 In |
| Pitch - Mating Interface (mm) | 1.25 mm |
| Polarized to Mating Part | Yes |
| Stackable | No |
| Temperature Range - Operating | -25°C to +85°C |

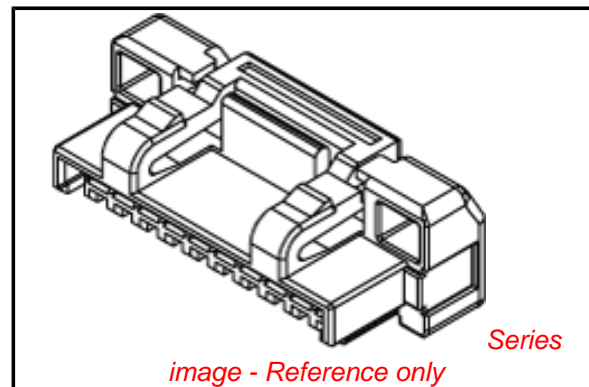
Electrical

| | |
|-------------------------------|----|
| Current - Maximum per Contact | 1A |
|-------------------------------|----|

Material Info

Reference - Drawing Numbers

| | |
|---------------------------|---|
| Application Specification | AS-502380-001, AS-502380-002 |
| Packaging Specification | SPK-502380-001 |
| Product Specification | PS-502382-001, RPS-502382-003, RPS-502382-004, RPS-502382-005, RPS-502382-008, RPS-502382-010, RPS-502382-011, RPS-502382-012, RPS-502382-013 |
| Sales Drawing | SD-502380-001, SD-502380-002 |



EU RoHS

ELV and RoHS Compliant
REACH SVHC Contains SVHC: No
Halogen-Free Status
Not Reviewed

China RoHS



Need more information on product environmental compliance?

Email productcompliance@molex.com
 For a multiple part number RoHS Certificate of Compliance, [click here](#)

Please visit the [Contact Us](#) section for any non-product compliance questions.

Search Parts in this Series

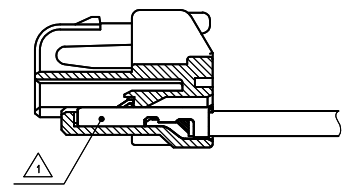
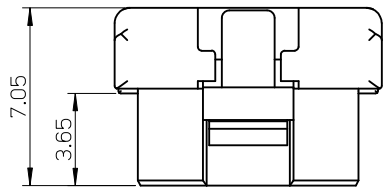
[502380Series](#)

Mates With

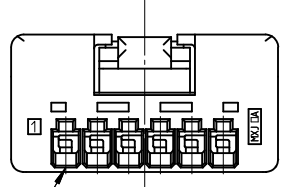
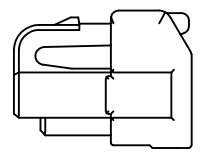
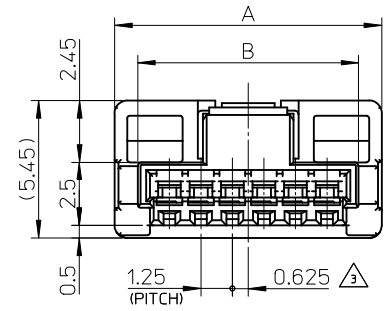
[502382](#) PCB Receptacle, [502386](#) PCB Receptacle

Use With

[502381](#) Crimp Terminal



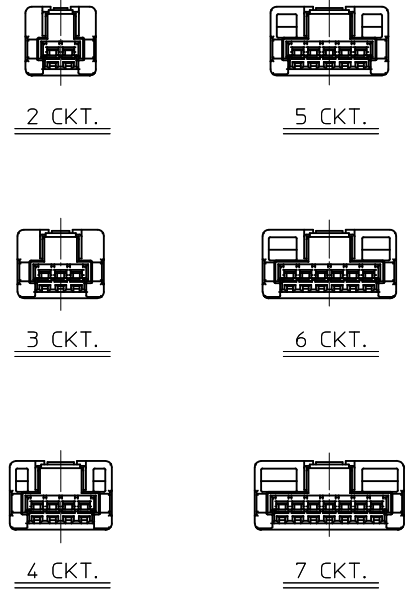
ターミナル装着図
TERMINAL ASSEMBLY DRAWING



回路番号 1
CKT NO. 1

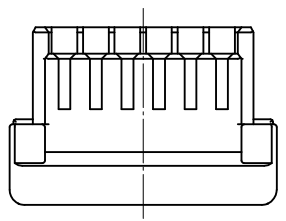
NOTES

- ① 適合ターミナル: 502381-00**
APPLICABLE TARMINAL: 502381-00**
- 2. 嵌合相手: 502382-**09 / 502386-**09
MATE WITH: 502382-**09 / 502386-**09
- ③ 極数/コ=偶数に適用。
APPLY FOR CKT. SIZE / 2 = EVEN.
- 4. 本製品のプラスチック部に黒点等が確認される場合や色合いが異なる場合がありますが、製品性能に影響はありません。
THERE IS NO INFLUENCE IN THE PRODUCT PERFORMANCE THOUGH THE BLACK SPOT ETC. MIGHT BE CONFIRMED TO THE PLASTIC PART OF THIS PRODUCT AND THE SHADE MIGHT BE DIFFERENT.
- 5. アプリケーション仕様書 (コネクタ取扱説明書): AS-502380-001
APPLICATION SPECIFICATIONS (CONNECTOR MANUAL): AS-502380-001
- 6. 製品仕様書: PS-502382-001
Product specification: PS-502382-001



極数の種類 (正面図)
KIND OF CKT. NO. (FRONT VIEW)


| | | | |
|------|-------|---|----------------|
| 10 | 11.85 | 502380-070* | 7 |
| 8.75 | 10.6 | 502380-060* | 6 |
| 7.5 | 9.35 | 502380-050* | 5 |
| 6.25 | 8.1 | 502380-040* | 4 |
| 5 | 6.85 | 502380-030* | 3 |
| 3.75 | 5.6 | 502380-020* | 2 |
| B | A | ポリ袋 POLYBAG PACKAGE オーダー番号 ORDER No. | 極数 CKT. No. |

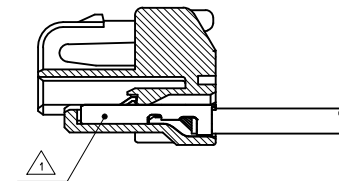
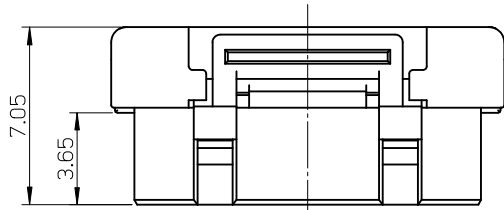


| | | | | | | | | |
|--|---------------------------------------|--|----------------------------|--------------------|---|------------------------|-------------------------------|--|
| REVISED EC NO: J2010-2217 DRWN: THANU 2010/05/12 CHKDK: ASAKAWA 2010/05/13 APPR: NUKITA 2010/05/14 | GENERAL TOLERANCES (UNLESS SPECIFIED) | | DIMENSION STYLE MM ONLY | | SCALE 5:1 | DESIGN UNITS METRIC | THIRD ANGLE PROJECTION | |
| | 10 UNDER | ±0.2 | DRAWN BY T. MIYAZAKI | DATE 2006/08/28 | TITLE 1.25 W/B CONN. SINGLE PLUG HOUSING 2-7CKT. | | | |
| | 10 OVER 30 UNDER | ±0.25 | CHECKED BY K. ASAKAWA | DATE 2006/08/28 | | | | |
| | 30 OVER | ±0.3 | APPROVED BY Y.O. ITO | DATE 2006/08/28 | MATERIAL NO. SEE TABLE | | DOCUMENT NO. SD-502380-001 | |
| ANGULAR ±3 ° | | DRAFT WHERE APPLICABLE MUST REMAIN WITHIN DIMENSIONS | | SIZE A3 | THIS DRAWING CONTAINS INFORMATION THAT IS PROPRIETARY TO MOLEX INCORPORATED AND SHOULD NOT BE USED WITHOUT WRITTEN PERMISSION | | | |

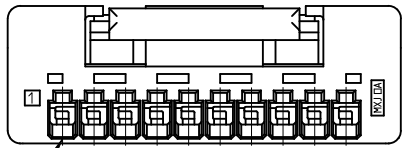
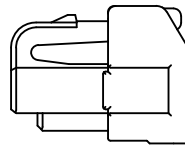
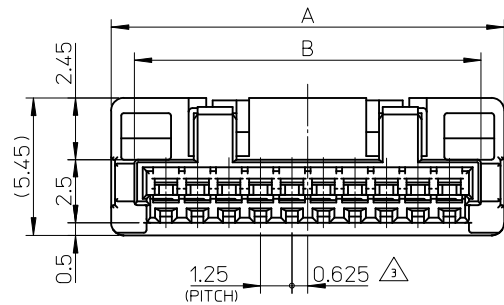
| 部品 PART | 材質 MATERIAL |
|---------------|--|
| ハウジング HOUSING | ポリブチレンテレフタレート UL94V-0 色: SHEET 2 参照 POLYBUTYLENE TEREPHTHALATE UL94V-0 COLOR: SEE SHEET 2 |

| HSG COLOR : GREEN | HSG COLOR : BLUE | HSG COLOR : RED | HSG COLOR : BLACK | HSG COLOR : NATURAL | |
|---|------------------|-----------------|-------------------|---------------------|--------------|
| 502380-0706 | 502380-0704 | 502380-0702 | 502380-0701 | 502380-0700 | 7 |
| 502380-0606 | 502380-0604 | 502380-0602 | 502380-0601 | 502380-0600 | 6 |
| 502380-0506 | 502380-0504 | 502380-0502 | 502380-0501 | 502380-0500 | 5 |
| 502380-0406 | 502380-0404 | 502380-0402 | 502380-0401 | 502380-0400 | 4 |
| 502380-0306 | 502380-0304 | 502380-0302 | 502380-0301 | 502380-0300 | 3 |
| 502380-0206 | 502380-0204 | 502380-0202 | 502380-0201 | 502380-0200 | 2 |
| ホリ袋 POLYBAG PACKAGE オーダー番号 ORDER No. | | | | | 極数 (KT. NO.) |

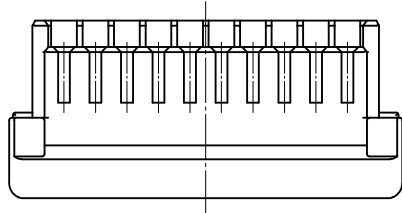
| | | | | | | |
|--|---------------------------------------|---|-----------------------------------|--------------------|---|------------------------|
| REVISED EC NO: J2010-2217 DRWN: THANU 2010/05/12 CHKDK: ASAKAWA 2010/05/13 APPR: NUKITA 2010/05/14 | GENERAL TOLERANCES (UNLESS SPECIFIED) | | DIMENSION STYLE MM ONLY | SCALE --- | DESIGN UNITS METRIC | THIRD ANGLE PROJECTION |
| | 10 UNDER | ±0.2 | DRAWN BY T. MIYAZAKI | DATE 2006/08/28 | TITLE 1.25 W/B CONN. SINGLE PLUG HOUSING 2-7CKT. | |
| | 10 OVER 30 UNDER | ±0.25 | CHECKED BY K. ASAKAWA | DATE 2006/08/28 | | |
| | 30 OVER | ±0.3 | APPROVED BY YO. ITO | DATE 2006/08/28 |  MOLEX INCORPORATED MATERIAL NO. SEE TABLE DOCUMENT NO. SD-502380-001 SHEET NO. 2 OF 2 | |
| ANGULAR ±3 ° | | MATERIAL NO. SEE TABLE | | | | |
| DRAFT WHERE APPLICABLE MUST REMAIN WITHIN DIMENSIONS | | THIS DRAWING CONTAINS INFORMATION THAT IS PROPRIETARY TO MOLEX INCORPORATED AND SHOULD NOT BE USED WITHOUT WRITTEN PERMISSION | | | | |



ターミナル装着図
TERMINAL ASSEMBLY DRAWING

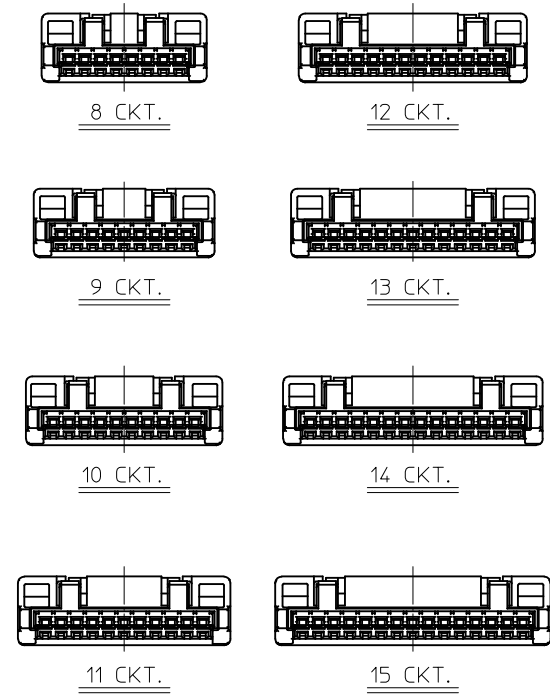


回路番号 1
CKT NO. 1



NOTES

- ① 適合ターミナル: 502381-00**
APPLICABLE TARMINAL : 502381-00**
2. 嵌合相手: 502382-**09 / 502386-**09
MATE WITH : 502382-**09 / 502386-**09
- ③ 極数/2=偶数に適用。
APPLY FOR CKT. SIZE / 2 = EVEN.
4. 本製品のプラスチック部に黒点等が確認される場合や色合いが異なる場合がありますが、製品性能に影響はありません。
THERE IS NO INFLUENCE IN THE PRODUCT PERFORMANCE THOUGH THE BLACK SPOT ETC. MIGHT BE CONFIRMED TO THE PLASTIC PART OF THIS PRODUCT AND THE SHADE MIGHT BE DIFFERENT.
5. アプリケーション仕様書(コネクタ取扱説明書): AS-502380-001
APPLICATION SPECIFICATIONS (CONNECTOR MANUAL): AS-502380-001.
6. 製品仕様書: PS-502382-001
Product specification: PS-502382-001
7. ELV AND RoHS COMPLIANT.



極数の種類 (正面図)
KIND OF CKT. NO. (FRONT VIEW)

| | | | |
|-------|-------|---|----------------|
| 20 | 21.85 | 502380-150* | 15 |
| 18.75 | 20.6 | 502380-140* | 14 |
| 17.5 | 19.35 | 502380-130* | 13 |
| 16.25 | 18.1 | 502380-120* | 12 |
| 15 | 16.85 | 502380-110* | 11 |
| 13.75 | 15.6 | 502380-100* | 10 |
| 12.5 | 14.35 | 502380-090* | 9 |
| 11.25 | 13.1 | 502380-080* | 8 |
| B | A | ポリ袋 POLYBAG PACKAGE オーダー番号 ORDER NO. | 極数 CKT. NO. |

| | | | | | | | | |
|---|---------------------------------------|---|----------------------------|--------------------|--|------------------------|------------------------|--|
| REVISED EC NO: J2010-2217 DRWN: THANU 2010/05/12 CHKD: ASAKAWA 2010/05/13 APPR: NUKITA 2010/05/14 | GENERAL TOLERANCES (UNLESS SPECIFIED) | | DIMENSION STYLE MM ONLY | | SCALE 5:1 | DESIGN UNITS METRIC | THIRD ANGLE PROJECTION | |
| | 10 UNDER | ±0.2 | DRAWN BY T. MIYAZAKI | DATE 2006/08/28 | TITLE 1.25 W/B CONN. SINGLE PLUG HOUSING 8-15CKT. | | | |
| | 10 OVER 30 UNDER | ±0.25 | CHECKED BY K. ASAKAWA | DATE 2006/08/28 | | | | |
| | 30 OVER | ±0.3 | APPROVED BY Y. ITO | DATE 2006/08/28 | MOLEX INCORPORATED MATERIAL NO. SEE TABLE DOCUMENT NO. SD-502380-002 SHEET NO. 1 OF 2 | | | |
| ANGULAR ±3 ° | | SIZE A3 | | | | | | |
| DRAFT WHERE APPLICABLE MUST REMAIN WITHIN DIMENSIONS | | THIS DRAWING CONTAINS INFORMATION THAT IS PROPRIETARY TO MOLEX INCORPORATED AND SHOULD NOT BE USED WITHOUT WRITTEN PERMISSION | | | | | | |

| | |
|------------------|--|
| 部品 PART | 材質 MATERIAL |
| ハウジング HOUSING | ポリブチレンテレフタレート UL94V-0 色: SHEET 2 参照 POLYBUTYLENE TEREPHTHALATE UL94V-0 COLOR: SEE SHEET 2 |

| HSG COLOR : GREEN | HSG COLOR : BLUE | HSG COLOR : RED | HSG COLOR : BLACK | HSG COLOR : NATURAL | |
|---|------------------|-----------------|-------------------|---------------------|--------------|
| 502380-1506 | 502380-1504 | 502380-1502 | 502380-1501 | 502380-1500 | 15 |
| 502380-1406 | 502380-1404 | 502380-1402 | 502380-1401 | 502380-1400 | 14 |
| 502380-1306 | 502380-1304 | 502380-1302 | 502380-1301 | 502380-1300 | 13 |
| 502380-1206 | 502380-1204 | 502380-1202 | 502380-1201 | 502380-1200 | 12 |
| 502380-1106 | 502380-1104 | 502380-1102 | 502380-1101 | 502380-1100 | 11 |
| 502380-1006 | 502380-1004 | 502380-1002 | 502380-1001 | 502380-1000 | 10 |
| 502380-0906 | 502380-0904 | 502380-0902 | 502380-0901 | 502380-0900 | 9 |
| 502380-0806 | 502380-0804 | 502380-0802 | 502380-0801 | 502380-0800 | 8 |
| ホリ袋 POLYBAG PACKAGE オーダー番号 ORDER No. | | | | | 極数 (KT. No.) |

| | | | | | | |
|---|---------------------------------------|---|-----------------------------------|--------------------------------------|--|------------------------|
| REVISED EC NO.: J2010-2217 DRWN: THANU 2010/05/12 CHK'D: ASAKAWA 2010/05/13 APPR: NUKITA 2010/05/14 | GENERAL TOLERANCES (UNLESS SPECIFIED) | | DIMENSION STYLE MM ONLY | SCALE ----- | DESIGN UNITS METRIC | THIRD ANGLE PROJECTION |
| | 10 UNDER | ± 0.2 | DRAWN BY T. MIYAZAKI | DATE 2006/08/28 | TITLE 1.25 W/B CONN. SINGLE PLUG HOUSING 8-15CKT. | |
| | 10 OVER 30 UNDER | ± 0.25 | CHECKED BY K. ASAKAWA | DATE 2006/08/28 | MOLEX INCORPORATED | |
| | 30 OVER | ± 0.3 | APPROVED BY YO. ITO | DATE 2006/08/28 | | |
| | ANGULAR ±3 ° | | MATERIAL NO. SEE TABLE | DOCUMENT NO. SD-502380-002 | | SHEET NO. 2 OF 2 |
| DRAFT WHERE APPLICABLE MUST REMAIN WITHIN DIMENSIONS | | THIS DRAWING CONTAINS INFORMATION THAT IS PROPRIETARY TO MOLEX INCORPORATED AND SHOULD NOT BE USED WITHOUT WRITTEN PERMISSION | | | | |