

**PLEASE CHECK WWW.MOLEX.COM FOR LATEST PART INFORMATION**

**Part Number:** [0003062092](#)  
**Status:** **Active**  
**Overview:** [standard\\_062](#)  
**Description:** 1.57mm (.062") Diameter Standard .062 Pin and Socket Plug Housing, 9 Circuits, Without Mounting Ears

**Documents:**

[3D Model](#) [Product Specification PS-02-06 \(PDF\)](#)  
[Drawing \(PDF\)](#) [RoHS Certificate of Compliance \(PDF\)](#)

**Agency Certification**

CSA LR19980  
TUV R72081037  
UL E29179

**General**

Product Family Crimp Housings  
Series [1625](#)  
Comments Polarized to Mating Part  
Overview [standard\\_062](#)  
Product Name Standard .062"

**Physical**

Breakaway No  
Circuits (maximum) 9  
Circuits Detail 3x3  
Color - Resin Natural  
Flammability 94V-2  
Gender Plug  
Glow-Wire Compliant No  
Keying to Mating Part None  
Lock to Mating Part Yes  
Material - Resin Nylon  
Number of Rows 3  
Packaging Type Bag  
Panel Mount No  
Pitch - Mating Interface (in) 0.145 In  
Pitch - Mating Interface (mm) 3.68 mm  
Pitch - Term. Interface (in) 0.145 In  
Pitch - Term. Interface (mm) 3.96 mm  
Polarized to Mating Part Yes  
Stackable No  
Temperature Range - Operating -40°C to +105°C

**Electrical**

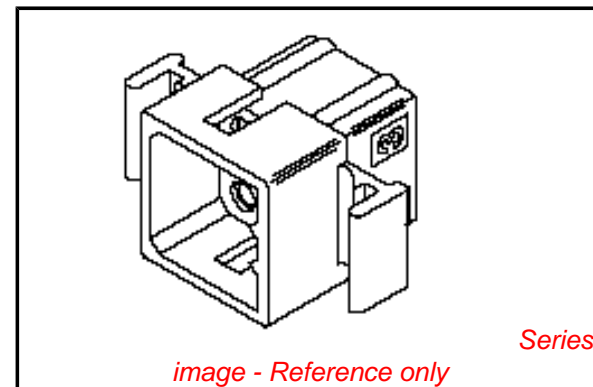
Current - Maximum per Contact 5A

**Material Info**

Old Part Number 1625-9P1

**Reference - Drawing Numbers**

Packaging Specification PK-1625-001  
Product Specification PS-02-06  
Sales Drawing SD-1625-9\*



**EU RoHS**

**ELV and RoHS Compliant**  
**REACH SVHC**  
**Contains SVHC: No**  
**Halogen-Free Status**

**China RoHS**



**Need more information on product environmental compliance?**

Email [productcompliance@molex.com](mailto:productcompliance@molex.com)  
For a multiple part number RoHS Certificate of Compliance, [click here](#)

Please visit the [Contact Us](#) section for any non-product compliance questions.

**Search Parts in this Series**

[1625Series](#)

**Mates With**

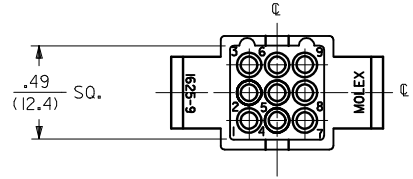
[1625](#) Receptacle

**Use With**

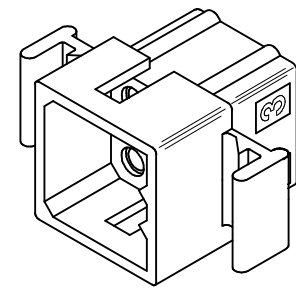
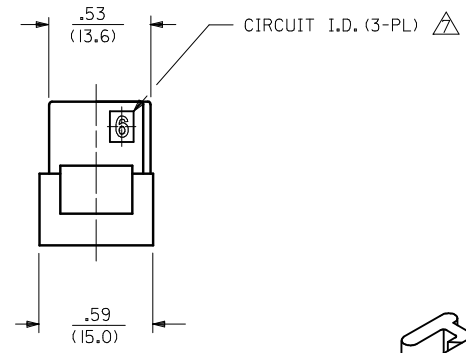
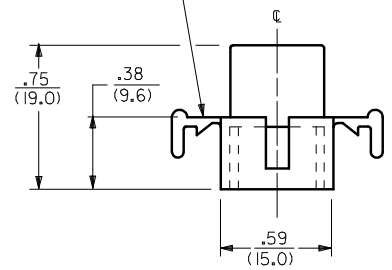
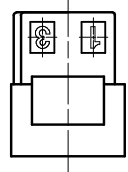
Female Crimp Terminals [1561](#)[Link:4559](#), [4529](#), [2190](#), [2189](#), [1787](#), [1855](#). Male Crimp Terminals [1560](#), [1786](#), [1854](#), [1778](#). Male PC Tail Terminals. [1779](#) Female PC Tail Terminals

This document was generated on 06/07/2010

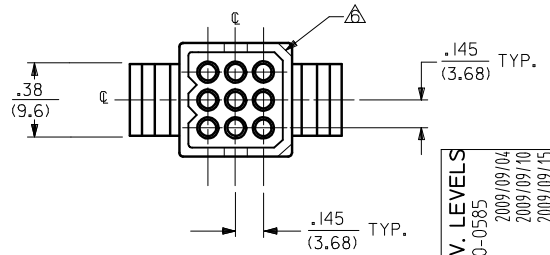
**PLEASE CHECK [WWW.MOLEX.COM](http://WWW.MOLEX.COM) FOR LATEST PART INFORMATION**



MOUNTING EAR  
(WHEN SPECIFIED)  
SEE DETAIL 3 OR 4  
(2 PL.)



PLUG



3	S
2	S
1	S
SHT. REV.	

UPDATE REV. LEVELS EC NO: UCP2010-0585 DRWN: RBENES 2009/09/04 CHKD: JELL 2009/09/10 APPR: FSMITH 2009/09/15	QUALITY SYMBOLS ▽=0 ▽=0	GENERAL TOLERANCES (UNLESS SPECIFIED)		DIMENSION STYLE IN/MM	SCALE 1:1	DESIGN UNITS INCH	THIRD ANGLE PROJECTION
		4 PLACES ± --- ± --- 3 PLACES ± --- ± .010 2 PLACES ± 0.25 ± .014 1 PLACE ± 0.36 ± ---	DRAWN BY JJS	DATE 1988/02/05	TITLE .062/(157) HOUSINGS PLUG & RECEPTACLE 9 CKT., .145/(3.68) CTRS		
		ANGULAR ± 1/2°	CHECKED BY RW	DATE 1988/02/05	MOLEX MOLEX INCORPORATED		
		DRAFT WHERE APPLICABLE MUST REMAIN WITHIN DIMENSIONS	APPROVED BY RAS	DATE 1988/02/05	MATERIAL NO. SEE CHART	DOCUMENT NO. SD-1625-9*	SHEET NO. 1 OF 3

SIZE THIS DRAWING CONTAINS INFORMATION THAT IS PROPRIETARY TO MOLEX INCORPORATED AND SHOULD NOT BE USED WITHOUT WRITTEN PERMISSION

PLUG	
PART NO.	ENG. NO.
03-06-2091	1625-9P
03-06-2092	1625-9P1
23-06-2091	1625-9P-C
23-06-2092	1625-9P1-C
04-06-6091	1625-9P1-B
03-06-7091	1625-9PBK
03-06-7092	1625-9PIBK
	<b>OBSOLETE</b>

RECEPTACLE	
PART NO.	ENG. NO.
03-06-1091	1625-9R
03-06-1092	1625-9R1
23-06-1091	1625-9R-C
23-06-1092	1625-9R1-C
03-06-6091	1625-9RBK
03-06-6092	1625-9RIBK
50-36-1871	1625-9R4
50-36-1872	1625-9R4-C

**LEGEND:**

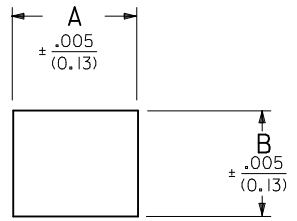
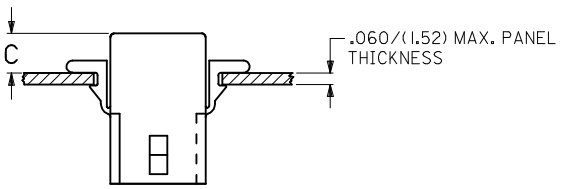
1625-\*\*\*\*-\*

CIRCUIT SIZE  
P = PLUG  
R = RECEPTACLE

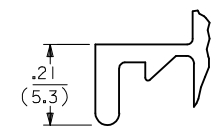
MOUNTING EAR & DETENT COMBINATIONS:  
BLANK=PLUG OR RECEPTACLE WITH STANDARD EARS  
1=PLUG OR RECEPTACLE WITHOUT EARS  
4=PLUG OR RECEPTACLE WITH PREBENT EARS

BLANK = NATURAL COLOR  
AM = AMBER BK = BLACK BU = BLUE  
BN = BROWN GY = GRAY GN = GREEN  
OR = ORANGE RD = RED YW = YELLOW

MATERIAL: A=MATERIAL CODE A  
B=MATERIAL CODE B  
C=MATERIAL CODE C



RECEP.	.650 (16.51)	.552 (14.02)	.21 (5.3)	.22 (5.6)
PLUG	.752 (19.10)	.615 (15.62)	.20 (5.1)	.21 (5.3)
PART	DIM. A	DIM. B	DIM. C (STANDARD EAR)	DIM. C (PREBENT EAR)

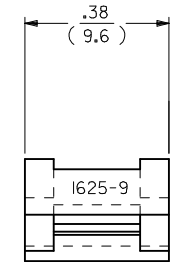


**DETAIL 3**  
STANDARD MOUNTING EAR  
(SCALE 4:1)

**RECOMMENDED HOLE PATTERN**

**NOTES:**

- MATERIAL CODES:  
A-NYLON TYPE 6/6, 94V-2  
B-NYLON TYPE 6/6, 94V-0  
C-POLYPROPYLENE, 94V-0
  - FINISH: NONE
  - PRODUCT SPECIFICATION: PS-02-06
  - PACKAGING SPECIFICATION: PK-1625-001
  - HOUSINGS OF USE WITH MOLEX .062 DIAMETER TERMINALS.
- △ SOME PARTS MAY HAVE THIS CORNER CHAMFERED.
- ▽ ETCHED CIRCUIT I.D. NUMBERS ON HOUSING MAY OR MAY NOT BE PRESENT.
- PARTS CONFORM TO CLASS B REQUIREMENTS OF COSMETIC SPECIFICATION PS-45499-002.



**DETAIL 4**  
PREBENT MOUNTING EAR  
(SCALE 4:1)

<b>RE-INSTATE 1625-9R</b> EC NO: UCP2010-0585 DRWN:RBENES 2009/09/04 CHKD:JBELL 2009/09/10 APPR:FSMITH 2009/09/15	QUALITY SYMBOLS ▽=0 ▽=0	GENERAL TOLERANCES (UNLESS SPECIFIED)		DIMENSION STYLE <b>IN/MM</b>	SCALE <b>1:1</b>	DESIGN UNITS <b>INCH</b>	THIRD ANGLE PROJECTION		
		4 PLACES ± --- ± --- 3 PLACES ± --- ± .010 2 PLACES ± 0.25 ± .014 1 PLACE ± 0.36 ± ---	mm INCH ± --- ± --- ± .010 ± .014 ± 0.25 ± .014 ± --- ± ---	DRAWN BY JJS	DATE 1988/02/12	TITLE <b>.062/(1.57) HOUSINGS, PLUG AND RECEPTACLE, 9 CKT., .145/(3.68) CTRS</b>			
		ANGULAR ± 1 °		CHECKED BY RW	DATE 1988/02/12	MOLEX INCORPORATED			
		DRAFT WHERE APPLICABLE MUST REMAIN WITHIN DIMENSIONS		APPROVED BY RAS	DATE 1988/02/12	MATERIAL NO. <b>SEE CHART</b>	DOCUMENT NO. <b>SD-1625-9*</b>	SHEET NO. <b>3 OF 3</b>	

THIS DRAWING CONTAINS INFORMATION THAT IS PROPRIETARY TO MOLEX INCORPORATED AND SHOULD NOT BE USED WITHOUT WRITTEN PERMISSION