



150 MHz SAW Filter Technical Specification

SP
LBS15002

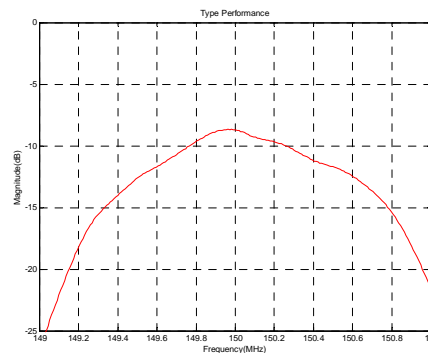
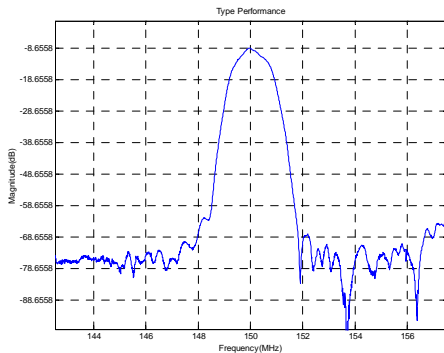
Absolute Maximum Rating

Rating	Value
CW RF power Dissipation	+13dBm
DC Voltage between any 2 pins	±30VDC
Operating Temperature	-10 to +50°C

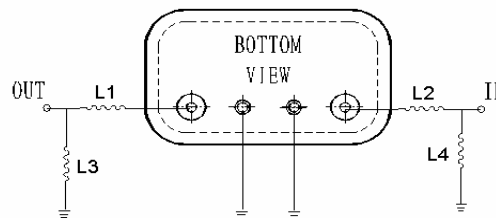
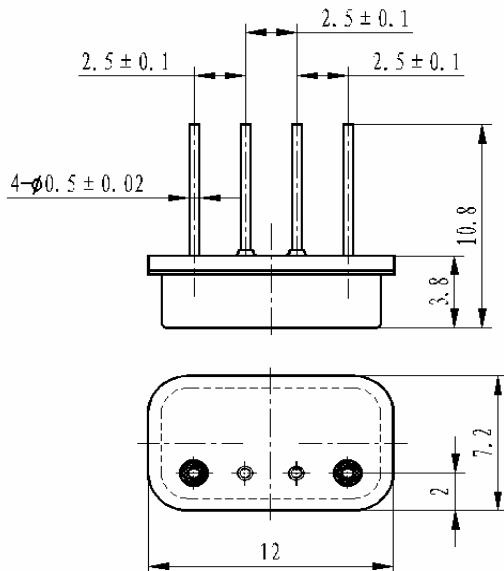
Electrical Characteristic

Characteristic	Unit	Minimum	Typical	Maximum
Center Frequency (f_0)	MHz	149.9	150	150.1
Insertion Loss	dB		8	10
3dB bandwidth	MHz	0.16	0.88	
40dB bandwidth	MHz		2.89	5.0
Pass Band Variation	dB		0.1	0.5
Ultimate Rejection: 144~148 MHz	dB	45	50	
152~156 MHz		45	50	
Substrate Material			Quartz	
Package			SC04-01	
Ambient Temperature	°C		25	

Frequency Response



Package



L1=L2=82nH
L3=L4=27nH

Input and Output Impedance=50 ohm

Package Outline

Matching Configuration