

**PLEASE CHECK WWW.MOLEX.COM FOR LATEST PART INFORMATION**

**Part Number:** [0015477620](#)  
**Status:** **Active**  
**Description:** 2.54mm (.100") Pitch C-Grid® Header, Through Hole, Dual Row, Vertical, High Temperature, Shrouded, with Peg, 20 Circuits, 0.38µm (15µ") Gold (Au) Selective Plating, Tin (Sn) PC Tail Plating

**Documents:**

[3D Model](#) [Product Specification PS-70567 \(PDF\)](#)  
[Drawing \(PDF\)](#) [RoHS Certificate of Compliance \(PDF\)](#)

**Agency Certification**

CSA LR19980  
 UL E29179

**General**

Product Family PCB Headers  
 Series [70568](#)  
 Application Wire-to-Board  
 Product Name C-Grid®

**Physical**

Breakaway No  
 Circuits (Loaded) 20  
 Color - Resin Black  
 First Mate / Last Break No  
 Flammability 94V-0  
 Glow-Wire Compliant No  
 Guide to Mating Part No  
 Keying to Mating Part None  
 Lock to Mating Part Yes  
 Material - Metal Brass, Phosphor Bronze  
 Material - Plating Mating Gold  
 Material - Resin High Temperature Thermoplastic  
 Number of Rows 2  
 Orientation Vertical  
 PC Tail Length (in) 0.130 In  
 PC Tail Length (mm) 3.30 mm  
 PCB Locator No  
 PCB Retention Yes  
 PCB Thickness Recommended (in) 0.093 In  
 PCB Thickness Recommended (mm) 2.40 mm  
 Packaging Type Tube  
 Pitch - Mating Interface (in) 0.100 In  
 Pitch - Mating Interface (mm) 2.54 mm  
 Pitch - Term. Interface (in) 0.100 In  
 Pitch - Term. Interface (mm) 2.54 mm  
 Plating min: Mating (µin) 15  
 Plating min: Mating (µm) 0.38  
 Polarized to Mating Part Yes  
 Polarized to PCB Yes  
 Shrouded Fully  
 Stackable No  
 Surface Mount Compatible (SMC) No  
 Temperature Range - Operating -55°C to +105°C  
 Termination Interface: Style Through Hole



*image - Reference only*

**EU RoHS**

**ELV and RoHS Compliant**  
**REACH SVHC Contains SVHC: No**  
**Halogen-Free Status**

**China RoHS**



**Need more information on product environmental compliance?**

Email [productcompliance@molex.com](mailto:productcompliance@molex.com)  
 For a multiple part number RoHS Certificate of Compliance, [click here](#)

Please visit the [Contact Us](#) section for any non-product compliance questions.

**Search Parts in this Series**  
[70568Series](#)

**Electrical**

Current - Maximum per Contact 2.5A  
Voltage - Maximum 250V

**Solder Process Data**

Duration at Max. Process Temperature (seconds) 5  
Lead-free Process Capability SMC & Wave Capable (TH only)  
Max. Cycles at Max. Process Temperature 1  
Process Temperature max. C 245

**Material Info**

Old Part Number A-70568-0042

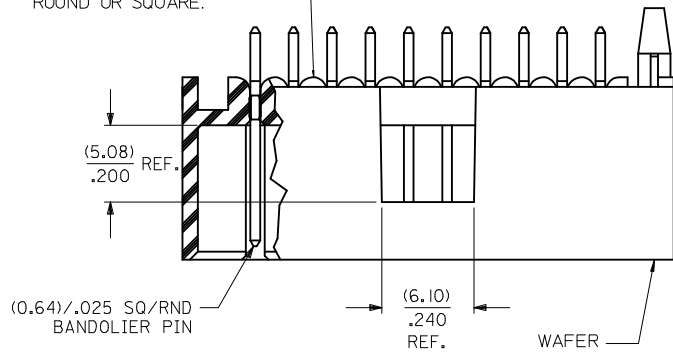
**Reference - Drawing Numbers**

Product Specification PS-70567  
Sales Drawing SDA-70568-\*\*\*\*

This document was generated on 03/31/2010

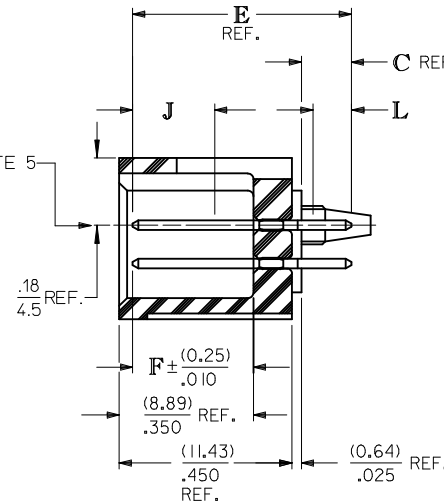
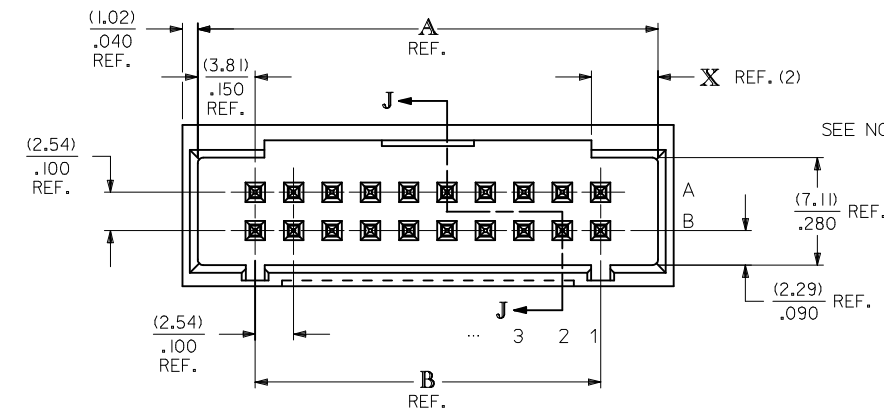
**PLEASE CHECK [WWW.MOLEX.COM](http://WWW.MOLEX.COM) FOR LATEST PART INFORMATION**

STAND OFFS CAN BE EITHER ROUND OR SQUARE.

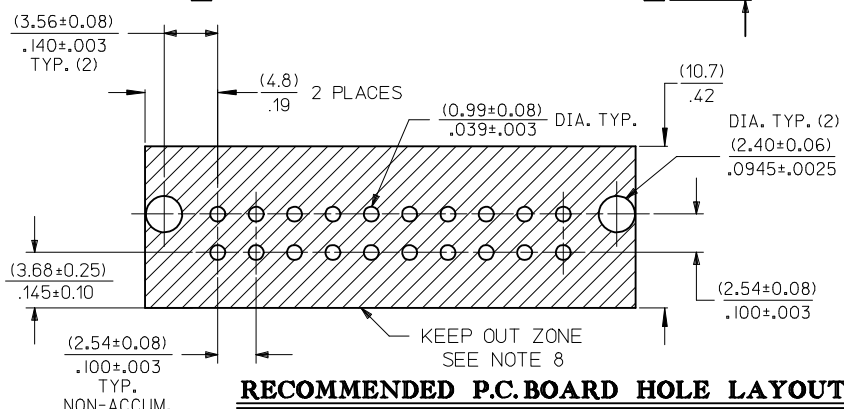
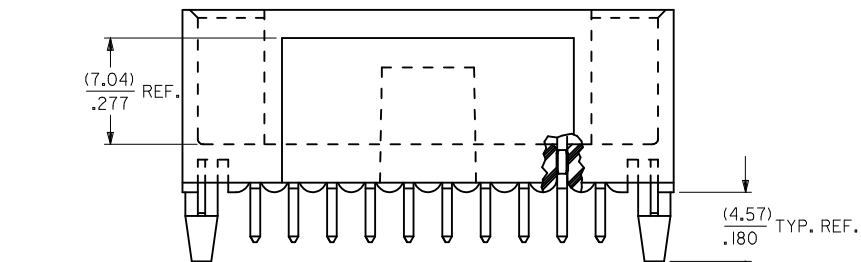


NOTES:

1. MATERIAL: WAFER - GLASS FILLED LIQUID CRYSTAL POLYMER, UL 94V-0, COLOR: BLACK, PIN: COPPER ALLOY.
2. PLATING: TIN  
 TIN(Sn) ALLOY OVER ENTIRE PIN: THICKNESS = (3.81 MICROMETER)/ 150 MICROINCH MINIMUM;  
 NICKEL (Ni) UNDERPLATE OVER ENTIRE PIN.  
 15 GOLD SELECTIVE GOLD (Au) IN THE CONTACT AREA: THICKNESS = (0.38 MICROMETER)/ 15 MICROINCH MINIMUM;  
 SELECTIVE TIN (Sn) ALLOY IN THE PC TAIL AREA: THICKNESS = (1.91 MICROMETER)/ 75 MICROINCH MINIMUM;  
 NICKEL (Ni) UNDERPLATE OVER ENTIRE PIN.  
 30 GOLD SELECTIVE GOLD (Au) IN THE CONTACT AREA: THICKNESS = (0.76 MICROMETER)/ 30 MICROINCH MINIMUM;  
 SELECTIVE TIN (Sn) ALLOY IN THE PC TAIL AREA: THICKNESS = (1.91 MICROMETER)/ 75 MICROINCH MINIMUM;  
 NICKEL (Ni) UNDERPLATE OVER ENTIRE PIN.  
 \* THE PRIMARY SHIPPING CARTON WILL BE LABELED "COMPLIANT TO RoHS DIRECTIVE 2002/95/EC AND ELV ANNEX II OF DIRECTIVE 2000/53/EC". CARTONS WITHOUT THIS LABEL MAY CONTAIN PRODUCT WITH LEAD.
3. PRODUCT SPECIFICATION: PS-70567.
4. PACKAGING: SEE CHARTS
5. PIN PUSHOUT FORCE: 4 LBS. MIN. IN DIRECTION INDICATED.
6. FOR ILLUSTRATION PURPOSES, 20 (DUAL 10) CIRCUIT SIZE IS SHOWN.
7. PINS MUST MEET SOLDERABILITY SPEC. SMS-152.  
 EXCEPT VOIDS ARE PERMISSIBLE AT BANDOLIER PIN FAYING SURFACE. (APPROX. (0.64)/.025 LNG X (0.15)/.006 WD. REF.) - 2 LOCATIONS
8. NO FEATURES WHICH RISE ABOVE THE PCB SURFACE ALLOWED IN THIS AREA.
9. THIS PART CONFORMS TO CLASS B REQUIREMENTS OF COSMETIC SPEC PS-45499-002.



**SECTION J-J**



**RECOMMENDED P.C. BOARD HOLE LAYOUT**

CKT. SIZE	DIM. A REF.		DIM. B REF.		DIM. X REF.	
	(MM)	INCH	(MM)	INCH	(MM)	INCH
6	(12.70)	.500	(5.08)	.200	(3.18)	.125
8	(15.24)	.600	(7.62)	.300	(4.42)	.174
10	(17.78)	.700	(10.16)	.400	(4.42)	.174
12	(20.32)	.800	(12.70)	.500	(4.42)	.174
14	(22.86)	.900	(15.24)	.600	(4.42)	.174
16	(25.40)	1.000	(17.78)	.700	(4.42)	.174
18	(27.94)	1.100	(20.32)	.800	(4.42)	.174
20	(30.48)	1.200	(22.86)	.900	(4.42)	.174
22	(33.02)	1.300	(25.40)	1.000	(4.42)	.174
24	(35.56)	1.400	(27.94)	1.100	(4.42)	.174
26	(38.10)	1.500	(30.48)	1.200	(4.42)	.174
28	(40.64)	1.600	(33.02)	1.300	(4.42)	.174
30	(43.18)	1.700	(35.56)	1.400	(4.42)	.174
32	(45.72)	1.800	(38.10)	1.500	(4.42)	.174
34	(48.26)	1.900	(40.64)	1.600	(4.42)	.174
36	(50.80)	2.000	(43.18)	1.700	(4.42)	.174
40	(55.88)	2.200	(48.26)	1.900	(4.42)	.174
42	(58.42)	2.300	(50.80)	2.000	(4.42)	.174
44	(60.96)	2.400	(53.34)	2.100	(4.42)	.174
46	(63.50)	2.500	(55.88)	2.200	(4.42)	.174
48	(66.04)	2.600	(58.42)	2.300	(4.42)	.174
50	(68.58)	2.700	(60.96)	2.400	(4.42)	.174
52	(71.12)	2.800	(63.50)	2.500	(4.42)	.174
54	(73.66)	2.900	(66.04)	2.600	(4.42)	.174
56	(76.20)	3.000	(68.58)	2.700	(4.42)	.174
58	(78.74)	3.100	(71.12)	2.800	(4.42)	.174
60	(81.28)	3.200	(73.66)	2.900	(4.42)	.174
62	(83.82)	3.300	(76.20)	3.000	(4.42)	.174
64	(86.36)	3.400	(78.74)	3.100	(4.42)	.174
66	(88.90)	3.500	(81.28)	3.200	(4.42)	.174
68	(91.44)	3.600	(83.82)	3.300	(4.42)	.174
70	(93.98)	3.700	(86.36)	3.400	(4.42)	.174
72	(96.52)	3.800	(88.90)	3.500	(4.42)	.174

2	G
1	H
SHT	REV

<b>MODIFIED NOTES</b> EC NO: UCP2009-0336 DRAWN: KLOSTERMAYER 2008/09/23 CHKD: J. BELL 2008/09/24 APPR: F. SMITH 2008/09/25	QUALITY SYMBOLS ▽=0 ▽=0	GENERAL TOLERANCES (UNLESS SPECIFIED) mm INCH 4 PLACES ± --- ± --- 3 PLACES ± --- ± .005 2 PLACES ± 0.13 ± .01 1 PLACE ± 0.25 ± --- ANGULAR ± 1/2°	DIMENSION STYLE MM/IN DRAWN BY DATE SMR 1993/11/10 CHECKED BY DATE SMR 1993/11/10 APPROVED BY DATE	SCALE 4:1 DESIGN UNITS INCH THIRD ANGLE PROJECTION
		DRAFT WHERE APPLICABLE MUST REMAIN WITHIN DIMENSIONS	MATERIAL NO. SEE TABLE SIZE C	SHEET NO. 1 OF 2
		MOLEX MOLEX INCORPORATED SDA-70568-****		
		THIS DRAWING CONTAINS INFORMATION THAT IS PROPRIETARY TO MOLEX INCORPORATED AND SHOULD NOT BE USED WITHOUT WRITTEN PERMISSION		

	13	12	11	10	9	8	7	6	5	4	3	2	1		
J	ENGINEERING NUMBER A-70568	RELEASE FOR MANUFACTURE			C REF.	E REF.	F ± (0.25) .010			CONNECTOR END PLATING		P.C. BOARD END PLATING		SEE PACK INFORMA. DRAWING PK-70873	
										TYPE		J MINIMUM LENGTH	TYPE		
	-0001/0034	R.F.M.			(3.30) .130	(14.48) .570	(8.00) .315				TIN	OVER- ALL	TIN	OVER- ALL	-0018
	-0035/-0068	R.F.M.			(3.30) .130	(14.48) .570	(8.00) .315				15 GOLD	(5.08) .200	TIN	(3.56) .140	-0018
I	-0069/-0102	R.F.M.			(3.30) .130	(14.48) .570	(8.00) .315				30 GOLD	(5.08) .200	TIN	(3.56) .140	-0018
	-0103/-0136														
	-0137/-0170														
H	-0171/-0204														
	-0205/-0238														

CKTS	EDP NUMBER	ENG NUMBER	EDP NUMBER	ENG NUMBER	EDP NUMBER	ENG NUMBER	EDP NUMBER	ENG NUMBER	EDP NUMBER	ENG NUMBER	EDP NUMBER	ENG NUMBER	EDP NUMBER	ENG NUMBER	CKTS
G	06	A-70568-0001	A-70568-0001	A-70568-0001	A-70568-0001	A-70568-0001	A-70568-0001	A-70568-0001	A-70568-0001	A-70568-0001	A-70568-0001	A-70568-0001	A-70568-0001	A-70568-0001	06
	08	A-70568-0002	A-70568-0002	A-70568-0002	A-70568-0002	A-70568-0002	A-70568-0002	A-70568-0002	A-70568-0002	A-70568-0002	A-70568-0002	A-70568-0002	A-70568-0002	A-70568-0002	08
	10	A-70568-0003	A-70568-0003	A-70568-0003	A-70568-0003	A-70568-0003	A-70568-0003	A-70568-0003	A-70568-0003	A-70568-0003	A-70568-0003	A-70568-0003	A-70568-0003	A-70568-0003	10
	12	A-70568-0004	A-70568-0004	A-70568-0004	A-70568-0004	A-70568-0004	A-70568-0004	A-70568-0004	A-70568-0004	A-70568-0004	A-70568-0004	A-70568-0004	A-70568-0004	A-70568-0004	12
	14	A-70568-0005	A-70568-0005	A-70568-0005	A-70568-0005	A-70568-0005	A-70568-0005	A-70568-0005	A-70568-0005	A-70568-0005	A-70568-0005	A-70568-0005	A-70568-0005	A-70568-0005	14
	16	A-70568-0006	A-70568-0006	A-70568-0006	A-70568-0006	A-70568-0006	A-70568-0006	A-70568-0006	A-70568-0006	A-70568-0006	A-70568-0006	A-70568-0006	A-70568-0006	A-70568-0006	16
	18	A-70568-0007	A-70568-0007	A-70568-0007	A-70568-0007	A-70568-0007	A-70568-0007	A-70568-0007	A-70568-0007	A-70568-0007	A-70568-0007	A-70568-0007	A-70568-0007	A-70568-0007	18
	20	A-70568-0008	A-70568-0008	A-70568-0008	A-70568-0008	A-70568-0008	A-70568-0008	A-70568-0008	A-70568-0008	A-70568-0008	A-70568-0008	A-70568-0008	A-70568-0008	A-70568-0008	20
F	22	A-70568-0009	A-70568-0009	A-70568-0009	A-70568-0009	A-70568-0009	A-70568-0009	A-70568-0009	A-70568-0009	A-70568-0009	A-70568-0009	A-70568-0009	A-70568-0009	A-70568-0009	22
	24	A-70568-0010	A-70568-0010	A-70568-0010	A-70568-0010	A-70568-0010	A-70568-0010	A-70568-0010	A-70568-0010	A-70568-0010	A-70568-0010	A-70568-0010	A-70568-0010	A-70568-0010	24
	26	A-70568-0011	A-70568-0011	A-70568-0011	A-70568-0011	A-70568-0011	A-70568-0011	A-70568-0011	A-70568-0011	A-70568-0011	A-70568-0011	A-70568-0011	A-70568-0011	A-70568-0011	26
	28	A-70568-0012	A-70568-0012	A-70568-0012	A-70568-0012	A-70568-0012	A-70568-0012	A-70568-0012	A-70568-0012	A-70568-0012	A-70568-0012	A-70568-0012	A-70568-0012	A-70568-0012	28
	30	A-70568-0013	A-70568-0013	A-70568-0013	A-70568-0013	A-70568-0013	A-70568-0013	A-70568-0013	A-70568-0013	A-70568-0013	A-70568-0013	A-70568-0013	A-70568-0013	A-70568-0013	30
	32	A-70568-0014	A-70568-0014	A-70568-0014	A-70568-0014	A-70568-0014	A-70568-0014	A-70568-0014	A-70568-0014	A-70568-0014	A-70568-0014	A-70568-0014	A-70568-0014	A-70568-0014	32
	34	A-70568-0015	A-70568-0015	A-70568-0015	A-70568-0015	A-70568-0015	A-70568-0015	A-70568-0015	A-70568-0015	A-70568-0015	A-70568-0015	A-70568-0015	A-70568-0015	A-70568-0015	34
E	36	A-70568-0016	A-70568-0016	A-70568-0016	A-70568-0016	A-70568-0016	A-70568-0016	A-70568-0016	A-70568-0016	A-70568-0016	A-70568-0016	A-70568-0016	A-70568-0016	A-70568-0016	36
	38	A-70568-0017	A-70568-0017	A-70568-0017	A-70568-0017	A-70568-0017	A-70568-0017	A-70568-0017	A-70568-0017	A-70568-0017	A-70568-0017	A-70568-0017	A-70568-0017	A-70568-0017	38
	40	A-70568-0018	A-70568-0018	A-70568-0018	A-70568-0018	A-70568-0018	A-70568-0018	A-70568-0018	A-70568-0018	A-70568-0018	A-70568-0018	A-70568-0018	A-70568-0018	A-70568-0018	40
	42	A-70568-0019	A-70568-0019	A-70568-0019	A-70568-0019	A-70568-0019	A-70568-0019	A-70568-0019	A-70568-0019	A-70568-0019	A-70568-0019	A-70568-0019	A-70568-0019	A-70568-0019	42
	44	A-70568-0020	A-70568-0020	A-70568-0020	A-70568-0020	A-70568-0020	A-70568-0020	A-70568-0020	A-70568-0020	A-70568-0020	A-70568-0020	A-70568-0020	A-70568-0020	A-70568-0020	44
	46	A-70568-0021	A-70568-0021	A-70568-0021	A-70568-0021	A-70568-0021	A-70568-0021	A-70568-0021	A-70568-0021	A-70568-0021	A-70568-0021	A-70568-0021	A-70568-0021	A-70568-0021	46
	48	A-70568-0022	A-70568-0022	A-70568-0022	A-70568-0022	A-70568-0022	A-70568-0022	A-70568-0022	A-70568-0022	A-70568-0022	A-70568-0022	A-70568-0022	A-70568-0022	A-70568-0022	48
	50	A-70568-0023	A-70568-0023	A-70568-0023	A-70568-0023	A-70568-0023	A-70568-0023	A-70568-0023	A-70568-0023	A-70568-0023	A-70568-0023	A-70568-0023	A-70568-0023	A-70568-0023	50
D	52	A-70568-0024	A-70568-0024	A-70568-0024	A-70568-0024	A-70568-0024	A-70568-0024	A-70568-0024	A-70568-0024	A-70568-0024	A-70568-0024	A-70568-0024	A-70568-0024	A-70568-0024	52
	54	A-70568-0025	A-70568-0025	A-70568-0025	A-70568-0025	A-70568-0025	A-70568-0025	A-70568-0025	A-70568-0025	A-70568-0025	A-70568-0025	A-70568-0025	A-70568-0025	A-70568-0025	54
	56	A-70568-0026	A-70568-0026	A-70568-0026	A-70568-0026	A-70568-0026	A-70568-0026	A-70568-0026	A-70568-0026	A-70568-0026	A-70568-0026	A-70568-0026	A-70568-0026	A-70568-0026	56
	58	A-70568-0027	A-70568-0027	A-70568-0027	A-70568-0027	A-70568-0027	A-70568-0027	A-70568-0027	A-70568-0027	A-70568-0027	A-70568-0027	A-70568-0027	A-70568-0027	A-70568-0027	58
	60	A-70568-0028	A-70568-0028	A-70568-0028	A-70568-0028	A-70568-0028	A-70568-0028	A-70568-0028	A-70568-0028	A-70568-0028	A-70568-0028	A-70568-0028	A-70568-0028	A-70568-0028	60
	62	A-70568-0029	A-70568-0029	A-70568-0029	A-70568-0029	A-70568-0029	A-70568-0029	A-70568-0029	A-70568-0029	A-70568-0029	A-70568-0029	A-70568-0029	A-70568-0029	A-70568-0029	62
	64	A-70568-0030	A-70568-0030	A-70568-0030	A-70568-0030	A-70568-0030	A-70568-0030	A-70568-0030	A-70568-0030	A-70568-0030	A-70568-0030	A-70568-0030	A-70568-0030	A-70568-0030	64
	66	A-70568-0031	A-70568-0031	A-70568-0031	A-70568-0031	A-70568-0031	A-70568-0031	A-70568-0031	A-70568-0031	A-70568-0031	A-70568-0031	A-70568-0031	A-70568-0031	A-70568-0031	66
C	68	A-70568-0032	A-70568-0032	A-70568-0032	A-70568-0032	A-70568-0032	A-70568-0032	A-70568-0032	A-70568-0032	A-70568-0032	A-70568-0032	A-70568-0032	A-70568-0032	A-70568-0032	68
	70	A-70568-0033	A-70568-0033	A-70568-0033	A-70568-0033	A-70568-0033	A-70568-0033	A-70568-0033	A-70568-0033	A-70568-0033	A-70568-0033	A-70568-0033	A-70568-0033	A-70568-0033	70
	72	A-70568-0034	A-70568-0034	A-70568-0034	A-70568-0034	A-70568-0034	A-70568-0034	A-70568-0034	A-70568-0034	A-70568-0034	A-70568-0034	A-70568-0034	A-70568-0034	A-70568-0034	72

B	MODIFY PLATE EC NO: UCP2006-2806 DRAWN BY: BARRA 2006/05/31 CHKD: JORGAN 2006/06/06 APPR: SMILLER 2006/06/07	QUALITY SYMBOLS 	GENERAL TOLERANCES (UNLESS SPECIFIED) <table border="1"> <tr> <th></th> <th>mm</th> <th>INCH</th> </tr> <tr> <td>4 PLACES</td> <td>± .005</td> <td>± .0005</td> </tr> <tr> <td>3 PLACES</td> <td>± .010</td> <td>± .0010</td> </tr> <tr> <td>2 PLACES</td> <td>± 0.13</td> <td>± .01</td> </tr> <tr> <td>1 PLACE</td> <td>± 0.25</td> <td>± .01</td> </tr> </table>		mm	INCH	4 PLACES	± .005	± .0005	3 PLACES	± .010	± .0010	2 PLACES	± 0.13	± .01	1 PLACE	± 0.25	± .01	DIMENSION STYLE MM/IN DRAWN BY: SMR DATE: 1993/11/10 CHECKED BY: SMR DATE: 1993/11/10 APPROVED BY: DATE:	SCALE: --- DESIGN UNITS: INCH THIRD ANGLE PROJECTION	SALES ASSY-DUAL ROW SHROUDED WAFER/HIGH TEMP .025SQ/RND PIN .100 GRID MOLEX INCORPORATED	SHEET NO. 2 OF 2
					mm	INCH																
4 PLACES	± .005	± .0005																				
3 PLACES	± .010	± .0010																				
2 PLACES	± 0.13	± .01																				
1 PLACE	± 0.25	± .01																				
DRAFT WHERE APPLICABLE MUST REMAIN WITHIN DIMENSIONS	MATERIAL NO. SEE TABLE	DOCUMENT NO. SDA-70568-****																				
A	THIS DRAWING CONTAINS INFORMATION THAT IS PROPRIETARY TO MOLEX INCORPORATED AND SHOULD NOT BE USED WITHOUT WRITTEN PERMISSION																					