



P/N: 12ST0023P1 LF DATA SHEET

Page : 1/1

Feature



- Half port and single port designs for maximum layout flexibility.
- Compatible with Intel, TDK, QSI, and ICS.
- Low profile packages from .094"(2.39mm)to.078"(1.98mm) for PC Card and Card bus applications.
- Lead free for external pins.
- Operating Temperature range: 0°C to +70°C.
- Storage temperature range: -25°C to +125°C.

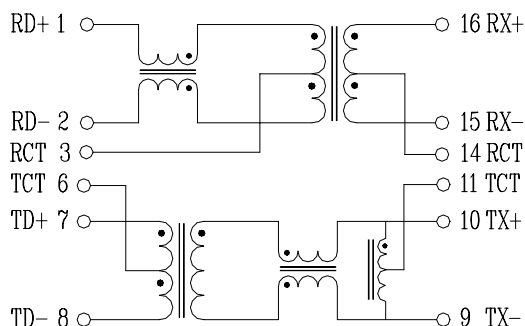
Electrical Specifications @ 25°C

Part Number	Turns Ratio (±5%)		L.L (uH Max)	C _{www} (pF Max)	Insertion Loss (dB Max) 0.3-100 MHz	HI-POT (Vrms)
	TX	RX				
12ST0023P1 LF	1CT:1	1CT:1CT	0.3	8.5	-0.8	1500

Continue

Part Number	Return Loss (dB Min)			Cross talk (dB Min)			DCMR (dB Min) TX/RX			
	30MHz	60MHz	80MHz	30MHz	62MHz	100MHz	30MHz	50MHz	100MHz	150MHz
12ST0023P1 LF	-15	-13	-11	-45	-40	-35	-40	-35	-30	-20

Schematic



Mechanical

