

**Four-Channel Active DC Output Controller, Monitor, Marginer and Sequencer with Sequence-Link™**
**FEATURES & APPLICATIONS**

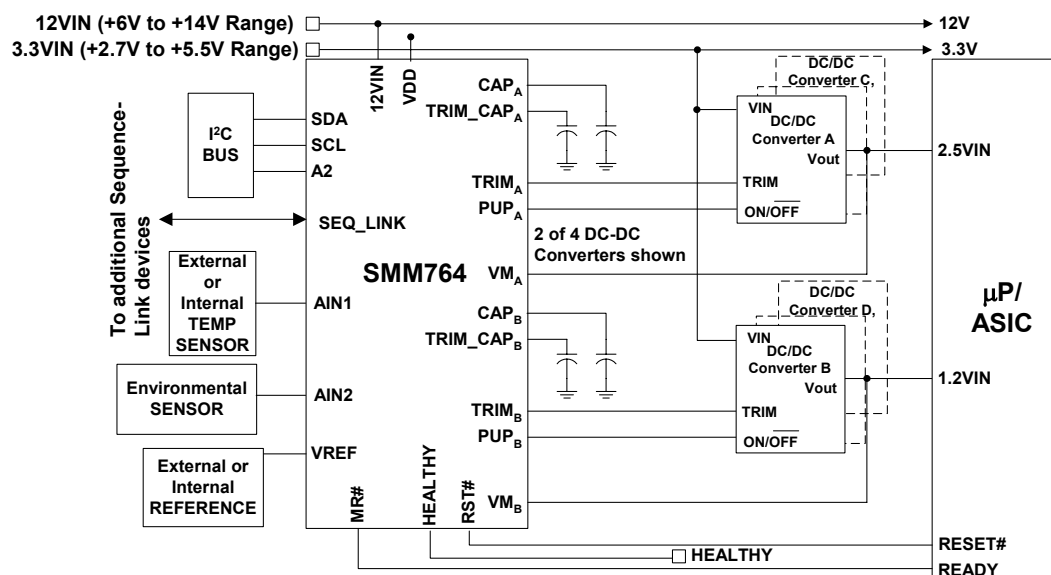
- Extremely accurate ( $\pm 0.2\%$ ) output voltages using Active DC Output Control (ADOC™)
- Sequence-Link™ provides sequencing of up to 46 channels
- ADOC automatically adjusts supply output voltage level under all DC load conditions
- Monitors, controls and margins up to 4 supplies from 0.3V to 5.5V
- Programmable power-on/-off sequencing
- Operates from any intermediate bus supply from 6V to 14V and from 2.7V to 5.5V
- Monitors 12V input VDD and temperature sensor
- Wide margin/ADOC range from 0.3v to VDD
- Monitors two general-purpose 10-bit ADC inputs
- I<sup>2</sup>C 2-wire serial bus for programming configuration and monitoring status, including 10-bit ADC conversion results
- 2 programmable Under Voltage (UV) and Over Voltage (OV) threshold limits for each of 9 monitored inputs
- 2k-bit general purpose nonvolatile memory

**Applications**

- Monitor/control distributed and POL supplies
- Multi-voltage processors, DSPs, ASICs used in telecom, CompactPCI or server systems

**INTRODUCTION**

The SMM764 is an Active DC Output power supply Controller (ADOC™) that monitors, margins, and cascade sequences. The ADOC feature is unique and maintains extremely accurate settings of system supply voltages to within  $\pm 0.2\%$  under full load. The SMM764 actively controls up to 4 DC/DC converters and can be linked with up to 7 other Sequence-Link™ devices to accommodate sequencing of up to 46 channels. Control of the DC-DC converters is accomplished through the use of a Trim or Regulator VADJ/FB pin to adjust the output voltage. For system test, the part also controls margining of the supplies using I<sup>2</sup>C commands. It can margin supplies with either positive or negative control within a range of 0.3V to VDD, depending on the specified range of the converter. The SMM764 also intelligently sequences or cascades the power supplies on and off in any order using enable outputs with programmable polarity. It can operate off any intermediate bus supply ranging from 6V to 14V or from 5.5V to as low as 2.7V. The part monitors 4 power supply channels as well as VDD, 12V input, two general-purpose analog inputs and an internal temperature sensor using a 10-bit ADC. The 10-bit ADC can measure the value on any one of the monitor channels and output the data via the I<sup>2</sup>C bus. A host system can communicate with the SMM764 status register, margining and utilize 2K-bits of nonvolatile memory.

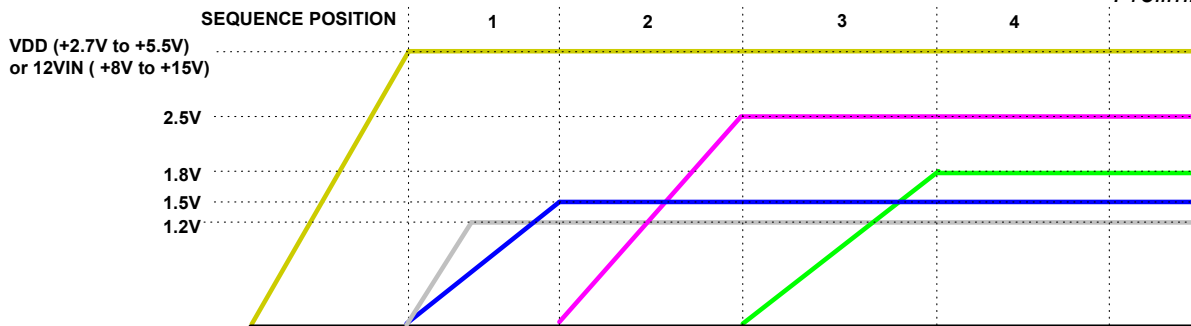
**SIMPLIFIED APPLICATIONS DRAWING**


**Figure 1 – Applications schematic using the SMM764 controller to actively control the output levels of up to 4 DC/DC converters while also providing power-on/off, cascade sequencing and output margining.**

Note: This is an applications example only. Some pins, components and values are not shown.

**TABLE OF CONTENTS**

General Description.....	3	Recommended Use Of The Power On Pin.....	19
Internal Functional Block Diagram.....	4	Applications Schematic.....	20
Pin Descriptions.....	5-6	Development Hardware & Software.....	21
Package And Pin Configuration.....	7	<b>I<sup>2</sup>C Programming Information</b>	
Absolute Maximum Ratings.....	8	Serial Interface.....	22
Recommended Operating Conditions.....	8	Write.....	22
DC Operating Characteristics.....	8-10	Read.....	22
AC Operating Characteristics.....	10	Write Protection.....	23
I <sup>2</sup> C 2-Wire Serial Interface AC Operating		Configuration Registers.....	23
Characteristics-100/400khz.....	11	General-Purpose Memory.....	23
Timing Diagrams.....	11-12	Command And Status Registers.....	23
<b>DEVICE OPERATION</b>		ADC Conversions.....	23
Power		Graphical User Interface (GUI).....	23
Supply.....	14	Write Protection Register Write.....	24
Modes Of Operation.....	14	Configuration Register Read/Write.....	24-25
Active DC Output Control.....	14-15	General-Purpose Memory Read/Write.....	26
Power-On Cascade Sequencing.....	15	Command And Status Register Read/Write.....	27
Ongoing Operations-Monitoring Mode.....	16	ADC Conversion Read.....	27
Temperature Sensor Accuracy.....	16	Default Configuration Register Settings.....	28
Margining.....	17	Package.....	29
Power-Off Cascade Sequencing.....	17	Part Marking.....	30
Force-Shutdown.....	17	Ordering Information.....	30
Linked Operation.....	18	Terminology And Definitions.....	31
Restart.....	18	Legal Notice.....	32
I <sup>2</sup> C Power-Off Control.....	18		



**Figure 2 – Example power supply sequencing and system start-up initialization using the SMM764. Cascade sequencing ensures that all supplies in the previous sequence position are valid before the next channel is released. Using the SMM764 any order of supply sequencing can be applied.**

## GENERAL DESCRIPTION

The SMM764 is a highly integrated and accurate power supply controller, monitor, and sequencer. Each device has the ability to automatically control, monitor and cascade sequence up to 4 power supplies. In addition, the SMM764 includes Sequence-Link™ a feature that allows for the seamless integration of other Sequence-Link devices to accommodate sequencing of up to 46 channels. The SMM764 can monitor the VDD input, the 12V input, two general-purpose analog inputs, and the internal temperature sensor. The SMM764 has four operating modes: power-on sequencing modes, monitor mode, supply margining mode using Active DC Output Control (ADOC™), and power-off sequencing mode.

Power-on sequencing is initiated by the rising edge of the PWR\_ON pin. During power-on sequencing the SMM764 will sequence the power supply channels on, in any order, by activating the PUP outputs and monitoring the respective converter voltages to ensure cascading of the supplies. Cascade sequencing is the ability to hold off the next sequenced supply until the first supply reaches a programmed threshold. A programmable sequence termination timer can be set to disable all channels if the power-on sequence stalls. Once all supplies have sequenced on and the voltages are above the UV settings, the ADOC, if enabled, will bring the supply voltages to their nominal settings. During this mode, the HEALTHY output will remain inactive and the RST# output will remain active.

Once the power-on sequencing mode is complete, the SMM764 enters monitor mode. In the monitor mode, the SMM764 starts the ADOC control of the supplies and adjusts the output voltage to the programmed setting under all load conditions, especially useful for supplies without sense lines. Typical converters have  $\pm 2\%$  accuracy ratings for their output voltage; the ADOC feature of the SMM764 increases the accuracy to  $\pm 0.2\%$  (using a  $\pm 0.1\%$  external voltage

reference). The part also enables the triggering of outputs by monitored fault conditions. The 10-bit ADC cycles through all 9 channels every 2ms and checks the conversions against the programmed threshold limits. The results can be used to trigger RST#, HEALTHY and FAULT# outputs as well as to initiate a Fault-Triggered power-off or force-shutdown operation.

While the SMM764 is in its monitoring mode, an I<sup>2</sup>C command to margin the supply voltages can bring the part into margining mode. In margining mode the SMM764 can margin 4 supply voltages in any combination of nominal, high and low voltage settings using the ADOC feature, all to within  $\pm 0.2\%$  using a  $\pm 0.1\%$  external reference. The margin high and low voltage settings can range from 0.3V to VDD around the converters' nominal output voltage setting depending on the specified margin range of the DC-DC converter. During this mode the HEALTHY output is always active and the RST# output is always inactive regardless of the voltage threshold limit settings and triggers. Furthermore, the triggers for power-off and force-shutdown are temporarily disabled.

The power-off sequencing mode can only be entered while the SMM764 is in the monitoring mode. It can be initiated by either bringing the PWR\_ON pin low, through I<sup>2</sup>C control, or triggered by a channel exceeding its programmed thresholds. Once power-off is initiated, it will disable the ADOC function and sequence the PUP outputs off in the reverse order as power-on sequencing. To ensure cascading of the supplies during power-off sequencing all supplies will be monitored as they turn off. The sequence termination timer can be programmed to immediately disable all channels if the power-off sequencing stalls via a force-shutdown operation.



**INTERNAL FUNCTIONAL BLOCK DIAGRAM**

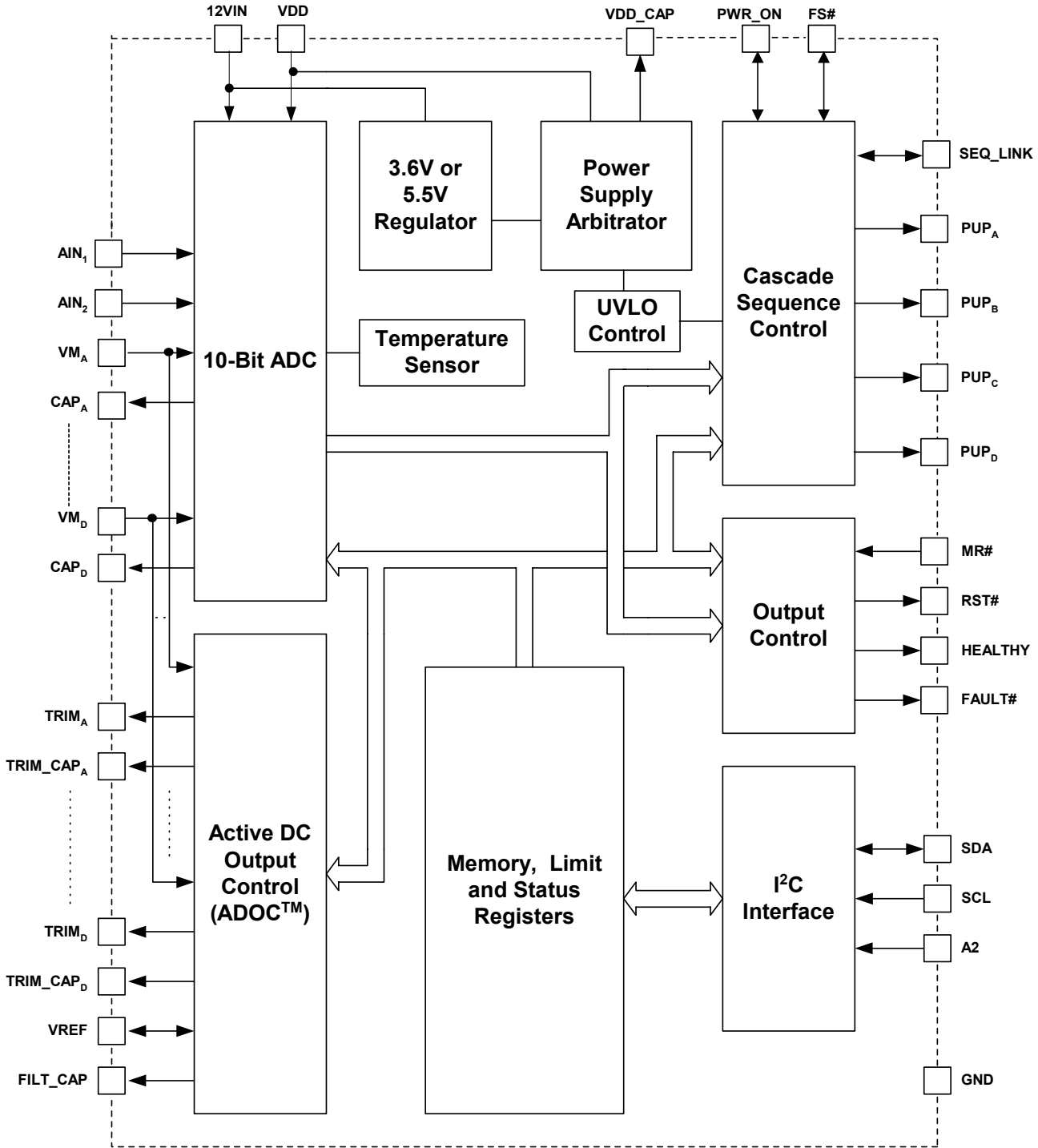


Figure 3 – SMM764 Internal Functional Block Diagram.

**PIN DESCRIPTIONS**

Pin Number	Pin Type	Pin Name	Pin Description
1	DATA	SDA	SDA (Serial Data) is an open drain bi-directional pin used as the I <sup>2</sup> C data line.
2	CLK	SCL	SCL (Serial Clock) is an open drain input pin used as the I <sup>2</sup> C Clock line.
3	IN	A2	The A2 (Address bit 2) pin is biased either to VDD_CAP or GND. When communicating with the SMM764 over the 2-wire I <sup>2</sup> C bus, A2 provides a mechanism for assigning a unique bus address.
4	IN	MR#	MR# (Manual Reset) is an active low input. When asserted the RST# output will become active. When de-asserted the RST# output will go inactive immediately after a reset timeout period (t <sub>RTO</sub> ) if there are no RST# trigger sources active. This timeout period makes it suitable to use as a pushbutton for manual reset purposes.
5	I/O	PWR_ON	PWR_ON (Power On) is an open drain bi-directional pin. On the rising edge of PWR_ON the part will sequence the supplies on, during the falling edge the part will sequence the supplies off. This pin must be tied high through an external pull-up resistor. Note: The SMM764 does not monitor for faults during power-on/off sequencing.
6	I/O	FS#	FS# (Force Shutdown) is an open drain active low bi-directional pin. FS# is used to immediately turn off all converter enable signals (PUP outputs) when a fault is detected. Whenever FS# is asserted PWR_ON will automatically be pulled low as well. This pin must be tied high through an external pull-up resistor.
7	OUT	FAULT#	The FAULT# pin is an active low open drain output. Active when a programmed fault condition exists on AIN1, AIN2, or the internal temperature sensor. When used, FAULT# should be pulled high through an external pull-up resistor.
8	OUT	HEALTHY	HEALTHY is an active high open drain output. Active when all programmed power supply inputs and monitored inputs are within OV and UV limits and ADOC has begun. When used, HEALTHY should be pulled high through an external pull-up resistor.
9	OUT	RST#	RST# (Reset) is an active low open drain output pin. Active when a programmed fault condition exists on any power supply inputs or monitored inputs, when MR# is active, or when ADOC is not ready. RST# has a programmable timeout period with options for 0.64ms, 25ms, 100ms and 200ms. When used, RST# should be pulled high through an external pull-up resistor.
10	IN	AIN1	AIN1 (Analog Input 1) is a general-purpose monitored analog input.
11	IN	AIN2	AIN2 (Analog Input 2) is a general-purpose monitored analog input.
12,19, 24	GND	GND	Ground.

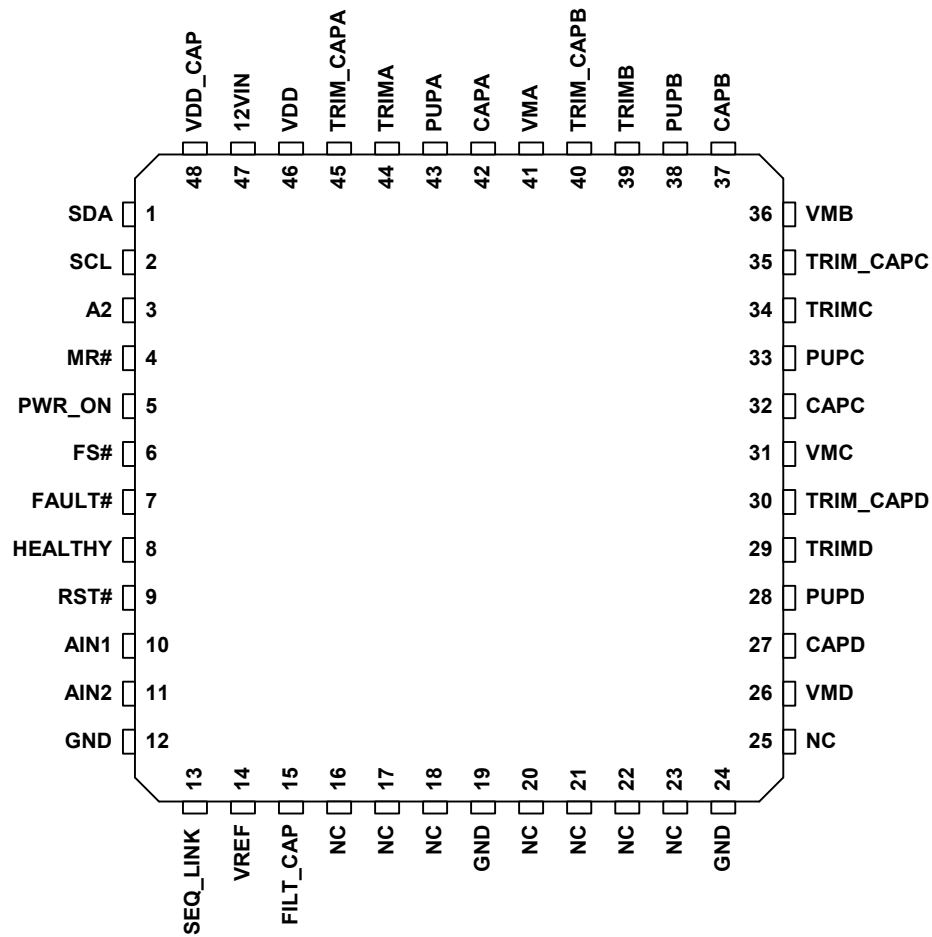
**PIN DESCRIPTIONS (Cont.)**

Pin Number	Pin Type	Pin Name	Pin Description
13	I/O	SEQ_LINK	SEQ_LINK (Sequence-Link™) is an open drain bi-directional pin. This pin should be attached to other Sequence-Link devices, during linked operation. SEQ_LINK must be pulled high through an external pull-up resistor when multiple Sequence-Link devices are used. When the SMM764 is not used with another Sequence-Link device, SEQ_LINK should be tied directly to ground.
14	I/O	VREF	VREF (Voltage Reference) is a bi-directional analog pin. VREF is used for Active DC Output Control and margining. VREF can be programmed to output the internal 1.25V reference, or accept an external reference. VREF is also used as a reference for the ADC.
15	CAP	FILT_CAP	FILT_CAP (Filter Capacitor) is an external capacitor input used to filter VM <sub>x</sub> inputs.
16,17, 18,20, 21,22, 23,25	NC	No Connect	Leave open, do not connect. These pins must be left floating.
41,36, 31,26	IN	VM <sub>x</sub>	VM <sub>x</sub> (Voltage Monitor) pins are analog inputs. These pins are normally attached to the positive converter sense line, VM <sub>A</sub> through VM <sub>D</sub> .
42,37, 32,27	CAP	CAP <sub>x</sub>	External capacitor input used to filter the VM <sub>x</sub> inputs to the 10-bit ADC, CAP <sub>A</sub> through CAP <sub>D</sub> . This provides an RC filter where R = 25kΩ.
43,38, 33,28	OUT	PUP <sub>x</sub>	PUP <sub>x</sub> (Power Up Permitted) pins are programmable active high/low open drain converter enable output, PUP <sub>A</sub> through PUP <sub>D</sub> .
44,39, 34,29	OUT	TRIM <sub>x</sub>	Output voltage used to control the output of DC/DC converters, TRIM <sub>A</sub> through TRIM <sub>D</sub> .
45,40, 35,30	CAP	TRIM_CAP <sub>x</sub>	TRIM_CAP <sub>x</sub> is an analog output pin used to control the output of DC/DC converters. If the ADOC/margining functionality is not used on a channel the associated TRIM_CAP <sub>x</sub> pin should be left floating. There are 4 TRIM_CAP <sub>x</sub> pins, TRIM_CAP <sub>A</sub> through TRIM_CAP <sub>D</sub> .
46	PWR	VDD	Power supply of the part
47	PWR	12VIN	12VIN (12 Volt Input) is a power supply input internally regulated to either 3.6V or 5.5V.
48	CAP	VDD_CAP	VDD_CAP (VDD Capacitor) is an external capacitor input used to filter the internal supply.



## PACKAGE AND PIN CONFIGURATION

### 48 LEAD TQFP TOP VIEW





**ABSOLUTE MAXIMUM RATINGS**

Temperature Under Bias..... -55°C to 125°C  
 Storage Temperature..... -65°C to 150°C  
 Terminal Voltage with Respect to GND:  
 VDD Supply Voltage ..... -0.3V to 6.0V  
 12VIN Supply Voltage ..... -0.3V to 15.0V  
 PUP<sub>A</sub>, through PUP<sub>F</sub>..... -0.3V to 15.0V  
 All Others .....-0.3V to V<sub>DD</sub> + 0.7V  
 Output Short Circuit Current ..... 100mA  
 Lead Solder Temperature (10 s)..... 300°C  
 Junction Temperature ..... 150°C  
 ESD Rating per JEDEC ..... 2000V  
 Latch-Up testing per JEDEC.....±100mA

Note - The device is not guaranteed to function outside its operating rating. Stresses listed under Absolute Maximum Ratings may cause permanent damage to the device. These are stress ratings only and functional operation of the device at these or any other conditions outside those listed in the operational sections of the specification is not implied. Exposure to any absolute maximum rating for extended periods may affect device performance and reliability. Devices are ESD sensitive. Handling precautions are recommended.

**ABSOLUTE MAXIMUM RATINGS**

Temperature Range (Industrial).....-40°C to +85°C  
 (Commercial) ..... 0°C to +70°C  
 VDD Supply Voltage ..... 2.7V to 5.5V  
 12VIN Supply Voltage<sup>1</sup> ..... 6.0V to 14.0V  
 VIN ..... GND to VDD  
 VOUT ..... GND to 14.0V  
 Package Thermal Resistance (θ<sub>JA</sub>)  
 48 Lead TQFP .....80°C/W

Moisture Classification Level 1 (MSL 1) per J-STD- 020

**RELIABILITY CHARACTERISTICS**

Data Retention ..... 100 Years  
 Endurance.....100,000 Cycles

**DC OPERATING CHARACTERISTICS**

(Over recommended operating conditions, unless otherwise noted. All voltages are relative to GND.)

Symbol	Parameter	Notes	Min	Typ	Max	Unit
VDD	Supply voltage		2.7		5.5	V
12VIN	Supply voltage	Internally regulated to 5.5V	10		14	V
		Internally regulated to 3.6V	6		14	V
I <sub>DD</sub>	Power supply current from VDD	All TRIM pins floating, 12VIN floating		3	5	mA
I <sub>12VIN</sub>	Power supply current from 12VIN	All TRIM pins floating, VDD floating		3	5	mA
<b>TRIM characteristics</b>						
I <sub>TRIM</sub>	TRIM output current through 100Ω to 1.0V	TRIM sourcing maximum current	1.5			mA
		TRIM sinking maximum current	1.5			mA
V <sub>TRIM</sub>	Margin and ADOC range	Depends on TRIM range of DC-DC converter	VREF/4		VDD	V
<b>TRIM_CAP characteristics</b>						
I <sub>TRIM_CAP</sub>	TRIM output current through 1uF capacitor to ground	Max acceptable board and cap leakage is 50 nA 2		100		nA
<b>All other input and output characteristics</b>						
V <sub>IH</sub>	Input high voltage (MR#, SDA, SCL, PWR_ON, SEQ_LINK, FS#) <sup>3</sup>	VDD = 2.7V	0.8 x VDD_CAP			V
		VDD = 5.0V	0.7 x VDD_CAP			V
V <sub>IL</sub>	Input low voltage (MR#, SDA, SCL, PWR_ON, SEQ_LINK, FS#) <sup>3</sup>	VDD = 2.7V			0.2 x VDD_CAP	V
		VDD = 5.0V			0.3 x VDD_CAP	V





**DC OPERATING CHARACTERISTICS (CONTINUED)**

(Over recommended operating conditions, unless otherwise noted. All voltages are relative to GND.)

Symbol	Parameter	Notes	Min	Typ	Max	Unit
V <sub>IH</sub>	Input high voltage (MR#, SDA, SCL, PWR_ON, SEQ_LINK, FS#) <sup>3</sup>	Internally regulated to 3.6V	0.8 x VDD_CAP			V
		Internally regulated to 5.5V	0.7 x VDD_CAP			V
V <sub>IL</sub>	Input low voltage (MR#, SDA, SCL, PWR_ON, SEQ_LINK, FS#) <sup>3</sup>	Internally regulated to 3.6V			0.2 x VDD_CAP	V
		Internally regulated to 5.5V			0.3 x VDD_CAP	V
V <sub>OL</sub>	Open drain outputs (RST#, FS#, PWR_ON, HEALTHY, FAULT#, PUPx, SEQ_LINK)	I <sub>SINK</sub> = 1mA	0		0.4	V
I <sub>OL</sub>	Output low current	Note – Total I <sub>SINK</sub> from all PUPx pins should not exceed 3mA or ADOC <sub>ACC</sub> specification will be affected	0		1.0	mA
V <sub>SENSE</sub>	Positive sense voltage	VM pin	+0.3		VDD_CAP	V
V <sub>MONITOR</sub>	Monitor threshold step size	VM, AIN1/AIN2 pins		5		mV
t <sub>SA</sub>	Internal temperature sensor accuracy	Commercial temp range	-3		+3	°C
		Industrial temp range	-5		+5	°C
t <sub>MONITOR</sub>	Temperature threshold step size	Internal temp sensor		0.25		°C
VREF	Internal 1.25 VREF output voltage		1.24	1.25	1.26	V
TC	Internal VREF temperature coefficient	-40°C to +85°C	-0.25		+0.25	%
		0°C to +70°C	-0.15		+0.15	%
VREF ACC	Internal VREF accuracy		-0.4		+0.4	%
Ext VREF	External VREF voltage range		0.5		VDD_CAP	V
ADOC <sub>ACC</sub>	ADOC (Active DC Output Control)/margin accuracy	External VREF=1.25V, ±0.1%, total PUPx I <sub>SINK</sub> < 3ma, V <sub>SENSE</sub> < 3.5V	-0.2	0.1	+0.2	%
		External VREF=1.25V, ±0.1%, total PUPx I <sub>SINK</sub> < 3ma, V <sub>SENSE</sub> > 3.5V	-0.5	0.3	+0.5	%
		Internal VREF=1.25V, total PUPx I <sub>SINK</sub> < 3ma	-0.5	0.3	+0.5	%
V <sub>OUT_VALID</sub>	Minimum output valid voltage	VDD_CAP voltage at which the PUP, RST#, HEALTHY and FAULT#, FS#, PWR_ON SEQ_LINK, outputs are valid		1		V
UVLO	UVLO (Under Voltage Lockout) threshold <sup>4</sup>	VDD_CAP rising		2.6		V
		VDD_CAP falling		2.5		V

Note 1 – Range depends on internal regulator set to 3.6V or 5.5V see 12VIN specification.

Note 2 – See Application Note 37 which describes the type of capacitors to use to obtain minimum leakage.

Note 3 – All logic levels are derived with respect to the voltage present on VDD\_CAP, when supplied from the VDD input VDD\_CAP is equal to VDD, under no load.

Note 4 – (100mV typ Hysteresis)

**DC OPERATING CHARACTERISTICS (CONTINUED)**

(Over recommended operating conditions, unless otherwise noted. All voltages are relative to GND.)

AIN1/AIN2 ADC characteristics						
Symbol	Parameter	Notes	Min	Typ	Max	Unit
N	Resolution		10			Bits
MC	Missing codes	Minimum resolution for which no missing codes are guaranteed	10			Bits
S/N	Signal-to-noise Ratio	Conversion rate = 500Hz		72		dB
DNL	Differential non-linearity		-1/2		+1/2	LSB
INL	Integral non-linearity	Note 1	-1		+1	LSB
GAIN	Positive full scale gain error	Note 1	-0.5		+0.5	%
OFFSET	Offset error	Note 1	-1		+1	LSB
ADC_TC	Full scale temperature coefficient			±15		PPM/ °C
IM <sub>ADC</sub>	Analog ADC Input Impedance			10		MΩ
I <sub>VREF</sub>	VREF input current			250		nA
IC <sub>VREF</sub>	VREF input capacitance			200		pF
IR <sub>VREF</sub>	VREF input impedance			1		kΩ

Note 1 - The formula for the total ADC inaccuracy is:  $[(\text{ADC read voltage}) \pm \text{INL}] * (\text{range of gain error}) + \text{range of offset error}$



**AC OPERATING CHARACTERISTICS**

Over recommended operating conditions, unless otherwise noted. All voltages are relative to GND. See Figure 5 and 6 Timing diagrams.

Symbol	Description	Conditions	Min	Typ	Max	Unit
t <sub>DPON</sub>	Programmable power-on delay from restart timer expiration to PUP <sub>x</sub> active.	t <sub>DPON</sub> = 0.64ms	-25	t <sub>DPON</sub>	+25	%
		t <sub>DPON</sub> = 12.5ms				
		t <sub>DPON</sub> = 25ms				
		t <sub>DPON</sub> = 50ms				
t <sub>DPOFF</sub>	Programmable power-off delay from VM <sub>x</sub> off to PUP <sub>x</sub> inactive	t <sub>DPOFF</sub> = 0.64ms	-25	t <sub>DPOFF</sub>	+25	%
		t <sub>DPOFF</sub> = 12.5ms				
t <sub>PRTO</sub>	Programmable reset time-out delay	t <sub>PRTO</sub> = 0.64ms	-25	t <sub>PRTO</sub>	+25	%
		t <sub>PRTO</sub> = 25ms				
		t <sub>PRTO</sub> = 100ms				
		t <sub>PRTO</sub> = 200ms				
t <sub>STT</sub>	Programmable sequence termination timer	t <sub>STT</sub> = OFF	-25	t <sub>STT</sub>	+25	%
		t <sub>STT</sub> = 100ms				
		t <sub>STT</sub> = 200ms				
		t <sub>STT</sub> = 400ms				
t <sub>FTRD</sub>	Fault-triggered restart delay	Time from restart timer expiration to PUP <sub>x</sub> active after a fault-triggered power-off or force-shutdown.		2.4		s
t <sub>FTRDACC</sub>	Fault-triggered restart delay accuracy		-25	t <sub>FTRD</sub>	+25	%
t <sub>CTRD</sub>	Command-triggered restart delay	Time from restart timer expiration to PUP <sub>x</sub> active after command-triggered power-off or force-shutdown.		12.5		ms
t <sub>CTRDACC</sub>	Command-triggered restart delay accuracy		-25	t <sub>CTRD</sub>	+25	%
T <sub>ADC</sub>	10-bit ADC sampling period	Time for ADC conversion of all 9 channels		2.0		ms
T <sub>DC_CONTROL</sub>	ADOC sampling period	Update period for ADOC of channels A – D		1.7		ms
t <sub>MARGIN</sub>	Margin Time from Nominal	Slow Margin, ± 10% change in voltage with 0.1% ripple TRIM_CAP=1μF		850		ms
		Fast Margin, ± 10% change in voltage with 0.1% ripple TRIM_CAP=1μF		85		ms



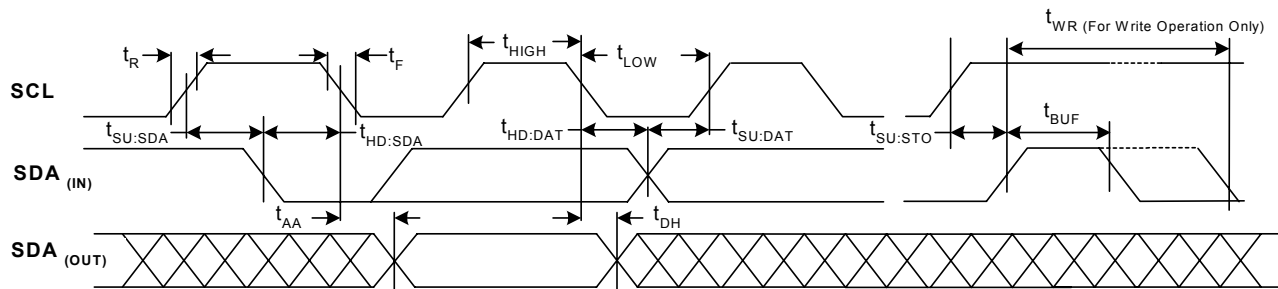
**I<sup>2</sup>C-2 WIRE SERIAL INTERFACE AC OPERATING CHARACTERISTICS –100/400 kHz**

Over recommended operating conditions, unless otherwise noted. All voltages are relative to GND. See Figure 4 Timing Diagram.

Symbol	Description	Conditions	100kHz			400kHz			Units
			Min	Typ	Max	Min	Typ	Max	
f <sub>SCL</sub>	SCL clock frequency		0		100	0		400	KHz
T <sub>LOW</sub>	Clock low period		4.7			1.3			μs
T <sub>HIGH</sub>	Clock high period		4.0			0.6			μs
t <sub>BUF</sub>	Bus free time	Before new transmission - Note 1/	4.7			1.3			μs
t <sub>SU:STA</sub>	Start condition setup time		4.7			0.6			μs
t <sub>HD:STA</sub>	Start condition hold time		4.0			0.6			μs
t <sub>SU:STO</sub>	Stop condition setup time		4.7			0.6			μs
t <sub>AA</sub>	Clock edge to data valid	SCL low to valid SDA (cycle n)	0.2		3.5	0.2		0.9	μs
t <sub>DH</sub>	Data output hold time	SCL low (cycle n+1) to SDA change	0.2			0.2			μs
t <sub>R</sub>	SCL and SDA rise time	Note 1/			1000			1000	ns
t <sub>F</sub>	SCL and SDA fall time	Note 1/			300			300	ns
t <sub>SU:DAT</sub>	Data in setup time		250			150			ns
t <sub>HD:DAT</sub>	Data in hold time		0			0			ns
TI	Noise filter SCL and SDA	Noise suppression		100			100		ns
t <sub>WR_CONFIG</sub>	Write cycle time config	Configuration registers			10			10	ms
t <sub>WR_EE</sub>	Write cycle time EE	Memory array			5			5	ms

Note: 1/ - Guaranteed by Design.

**TIMING DIAGRAMS**



**Figure 4 - Basic I<sup>2</sup>C Serial Interface Timing**



**TIMING DIAGRAMS (CONTINUED)**

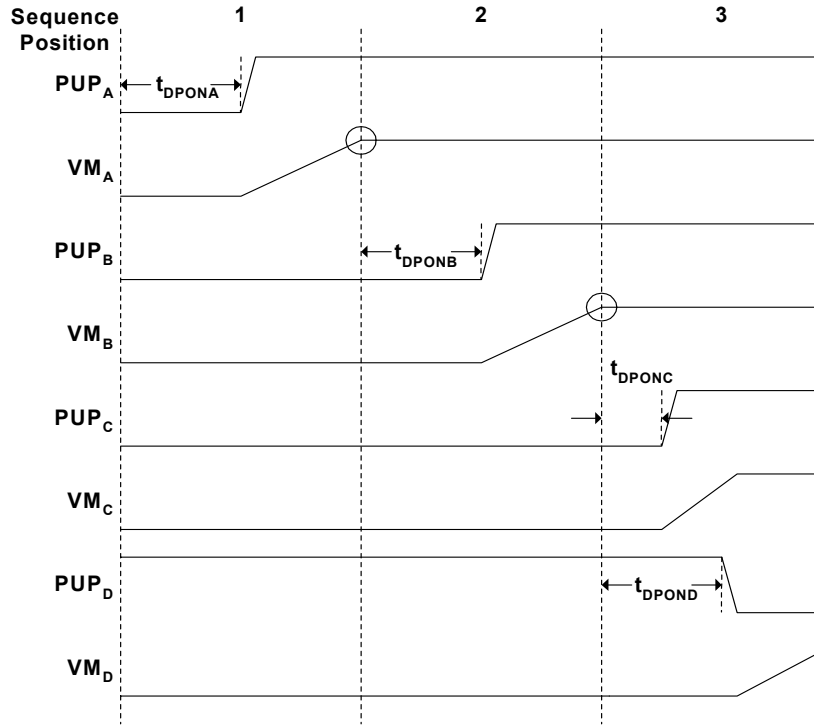


Figure 5 - The SMM764 cascade sequencing the supplies on and then monitoring for fault conditions.

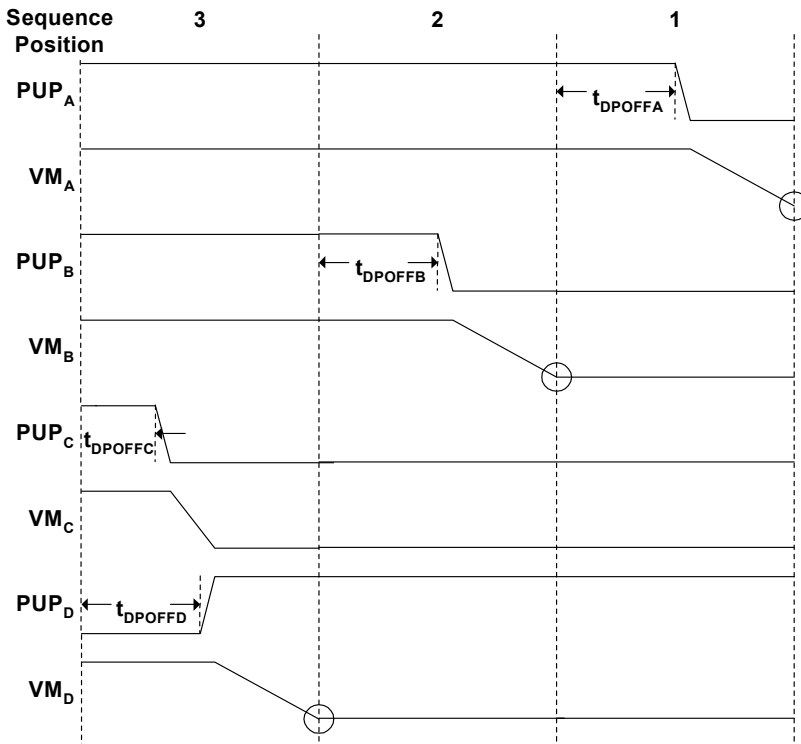


Figure 6 - The SMM764 cascade sequencing the supplies off.



## APPLICATIONS INFORMATION

### DEVICE OPERATION

#### POWER SUPPLY

The SMM764 can be powered by either a 12V input through the 12VIN pin or by a 3.3V or 5.0V input through the VDD pin. The 12VIN pin feeds an internal programmable regulator that internally generates either 5.5V or 3.6V. A voltage arbitration circuit allows the device to be powered by the highest voltage from either the regulator output or the VDD input. This voltage arbitration circuit continuously checks for these voltages to determine which will power the SMM764. The resultant internal power supply rail is connected to the VDD\_CAP pin that allows both filtering and hold-up of the internal power supply. To ensure that the input voltage is high enough for reliable operation, an under voltage lockout circuit holds the controlled supplies off until the UVLO thresholds are met. When multiple Sequence-Link™ devices are connected, the same VDD and/or 12VIN supplies must power all devices.

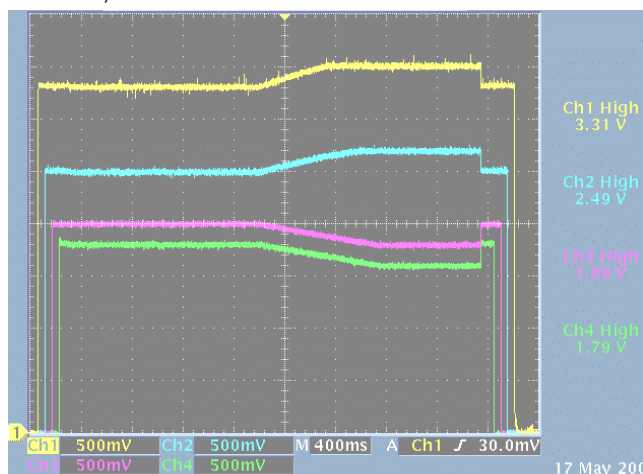
#### MODES OF OPERATION

The SMM764 has four basic modes of operation (shown in Figures 5 through 8): power-on sequencing mode, ongoing operations-monitoring mode, supply margining mode, and power-on sequencing mode. In addition, there are two features:

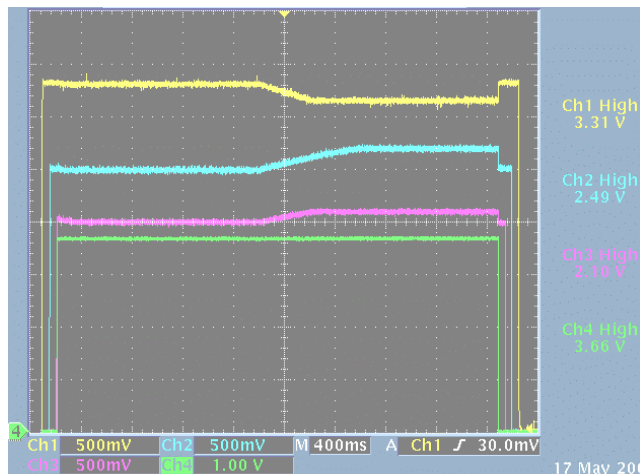
ADOC and force-shutdown, which can be used during monitoring and margining mode. A detailed description of each mode and feature follows.

#### ACTIVE DC OUTPUT CONTROL (ADOC™)

The SMM764 can actively control the DC output voltage of bricks or DC/DC converters that have a trim pin during monitoring and margining mode. The converter may be an off-the shelf compact device, or may be a “roll your own” circuit on the application board. In either case, the SMM764 dramatically improves voltage accuracy (down to 0.2%) by implementing closed-loop ADOC active control. This utilizes the DC-DC’s “trim” pin as shown in Figure 12, or an equivalent output voltage feedback adjustment “VADJ”, “FB”, or “Sense” node in a user’s custom circuit, Figure 13. Each of the TRIM<sub>x</sub> pins on the SMM764 is connected to the trim input pins on the power supply converters. A sense line from the channel’s point-of-load connects to the corresponding VM input. The ADOC function cycles through all 4 channels (A-D) every 1.7ms making slight adjustments to the voltage on the associated TRIM<sub>x</sub> output pins based on the voltage inputs on the VM<sub>x</sub> pins. These voltage adjustments allow the SMM764 to control the output voltage of power supply converters to within ±0.2% when using a ±0.1% external voltage reference.



**Figure 7 - Waveform shows four SMM764 channels exhibiting Sequence-on to Nominal voltage, Margin High or Low, Nominal voltage and then sequence-off**  
Ch 1 = 3.3V DC-DC converter output (Yellow trace)  
Ch 2 = 2.5V DC-DC converter output (Blue trace)  
Ch 3 = 2.0V DC-DC converter output (Purple trace)  
Ch 4 = 1.8V DC-DC converter output (Green trace)



**Figure 8 - Waveform shows three SMM764 channels Sequencing-on to Nominal voltage, Margin High and Low, and then sequence-off. Channel 4 shows the HEALTHY signal.**  
Ch 1 = 3.3V DC-DC converter output (Yellow trace)  
Ch 2 = 2.5V DC-DC converter output (Blue trace)  
Ch 3 = 2.0V DC-DC converter output (Purple trace)  
Ch 4 = Healthy signal output (Green trace)

**APPLICATIONS INFORMATION (CONTINUED)**

A pulse of current either sourced or sunk for 5 $\mu$ s every 1.7ms, to the capacitors connected to the TRIM\_CAP<sub>x</sub> pins adjusts the voltage output on the TRIM<sub>x</sub> pins. The voltages on the TRIM\_CAP<sub>x</sub> pins are buffered and applied to the TRIM<sub>x</sub> pins. The voltage adjustments on the TRIM<sub>x</sub> pins cause a slight ripple of less than 1mV on the power supply voltages. The amplitude of this ripple is a function of the TRIM\_CAP<sub>x</sub> capacitor and the trim gain of the converter. Application Note 37 details the calculation of the TRIM\_CAP<sub>x</sub> capacitor to achieve a desired minimum ripple.

Each channel can be programmed to either enable or disable the ADOC function. When disabled or not active, the TRIM<sub>x</sub> pins on the SMM764 are high impedance inputs. If disabled and not used, they can be connected to ground. The voltages on the TRIM<sub>x</sub> pins are buffered and applied to the TRIM\_CAP<sub>x</sub> pins charging the capacitors. This allows a smooth transition from the converter powering up to its nominal voltage, to the SMM764 controlling that voltage, and to the ADOC nominal setting.

The pulse of current can be increased to a 10X pulse of current until the power supply voltages are at their nominal settings by selecting the programmable Fast Margin option. As the name implies, this option decreases the time required to bring a supply voltage from the converter's nominal output voltage to the ADOC nominal, high, or low voltage setting.

**POWER-ON CASCADE SEQUENCING**

The SMM764 can be programmed to sequence on 32 supplies occupying up to 29 sequence positions. This is accomplished using the SEQ\_LINK pin. Each of the 4 channels (A-D) on a SMM764 has an associated open drain PUP output that, when connected to a converter's enable pin, controls the turn-on of the converter. The channels are assigned sequence positions to determine the order of the sequence. The polarity of each of the PUP<sub>x</sub> outputs is programmable for use with various types of converters.

Power-on sequencing is initiated on the rising edge of the PWR\_ON pin.

The SMM764 can be programmed to wait until any or all VDD, 12VIN, and Internal Temp (Internal Temperature) ADC readings are within their respective voltage threshold or temperature limits before power-on sequencing is allowed to begin. This ensures that the converters have reached their full supply voltage before they are enabled.

On the rising edge of the PWR\_ON pin the SMM764 will wait a power-on delay time ( $t_{DPON}$ ) for any channels in the first sequence position (position 1) and then activate the PUP<sub>x</sub> outputs for those channels. The power-on delay times are individually programmable for each channel. The SMM764 will then wait until all VM<sub>x</sub> inputs of the channels assigned to the first sequence position are above their user programmable UV1 thresholds, which is called cascade sequencing.

At this point, the SMM764 will enter the second sequence position (position 2) and begin to timeout the power-on delay times for the associated channels. This process continues until all of the channels assigned to participate in the sequence have turned on and are above their UV1 threshold. Once the sequence has completed the status register indicates that all sequenced power supply channels have turned on. After the sequence has completed the SMM764 will begin the ADOC of the enabled channels. The power-on sequencing mode ends when the ADOC channels are at their nominal voltage setting. The "Ready" bit in the status register signifies that the voltages are at their set points.

The programmable sequence termination timer can be used to protect against a stalled power-on sequence. This timer resets itself at the beginning of each sequence position. All channels in the sequence position must go above their UV1 threshold before the sequence will terminate by pulling the FS# pin low, initiating a Force Shutdown. The status register contains bits indicating in which sequence position the timer timed out. This sequence termination timer has four settings of OFF, 100ms, 200ms and 400ms. While the SMM764 is in the power-on sequencing mode the RST# output is held active and the HEALTHY output is held inactive regardless of trigger sources (Figure 8). The power-off and force-shutdown trigger options are also disabled while in this mode. Furthermore, the SMM764 will not respond to activity on the PWR\_ON pin or to a power-off I<sup>2</sup>C command during power-on sequencing mode.

The SMM764 permits multiple supplies to occupy the same sequence position. When a sequence position is shared, each channel will be enabled after its respective power-on delay. When the last channel occupying a shared sequence position exceeds its UV1 setting the SMM764 will increment to the next

**APPLICATIONS INFORMATION (CONTINUED)**

sequence position. Any unused channel should be assigned to the null sequence position.

**ONGOING OPERATIONS-MONITORING MODE**

During ongoing operations mode, the part can monitor, and actively control via ADOC, and use the force-shutdown operation if necessary.

Once the power-on sequence is complete, depending on the user programmed settings; the SMM764 will either enter the ongoing operations mode directly or wait for ADOC to successfully bring all channels within their nominal values. The ongoing operations mode will end when a power-off sequence, or force-shutdown has been initiated.

Once the ongoing operations mode has begun, the SMM764 continues to monitor all  $VM_x$  inputs, the VDD and 12VIN inputs, and two temperature sensor inputs with a 10-bit ADC. Each of these inputs is sampled and converted by the ADC every 2ms. The ADC input has a range of 0V to four times the voltage on VREF for inputs  $VM_{A-D}$  and the VDD input. The range is extended to 12 times VREF for the 12VIN input and is reduced to two times VREF for the AIN1 and AIN2 inputs.

The SMM764 monitors internal temperature using the 10-bit ADC and the automonitor function. Two under-temperature and two over-temperature thresholds can be set, each with its own programmable threshold options and consecutive conversion, before trigger counter. Resolution is 0.25 C per bit scaled over the range of -128 C to 127.75 C. The temperature value can be acquired over the I<sup>2</sup>C bus as a 10-bit signed two's complement value.

The SMM764 compares each resulting ADC conversion with two programmable 10-bit under-voltage limits (UV1, UV2) and two programmable 10-bit over-voltage limits (OV1, OV2) for the corresponding input. A consecutive conversion counter is used to provide filtering of the ADC inputs. Each limit can be programmed to require 1, 2, 4 or 6 consecutive out-of-limit conversions before it is said to be in fault. One in-limit conversion will remove the fault from the threshold limit. This provides digital filtering of the monitored inputs. The ADC inputs  $VM_{A-D}$  can use additional filtering by connecting a capacitor from the corresponding  $CAP_x$  pins to ground to form an analog RC filter ( $R=25k\Omega$ ). The input is considered to be in a fault condition if any of its limit thresholds are in fault. Setting an OV threshold limit to full-scale (3FF<sub>HEX</sub>), or setting a UV threshold limit to 000<sub>HEX</sub>, ensures that the limit can never be in fault. The status

registers provide the real-time status of all monitored inputs.

The voltage threshold limits for inputs  $VM_{A-D}$ , VDD and 12VIN can be programmed to trigger the RST# and HEALTHY outputs as well as a Fault-Triggered force-shutdown and power-off operation when exceeded. The threshold limits for the internal temperature sensor and the AIN1 and AIN2 inputs can be programmed to assert the RST#, HEALTHY, and FAULT# output pins

The HEALTHY and FAULT# outputs of the SMM764 are active as long as the monitored threshold remains in violation. The RST# output also remains active as long as the monitored threshold remains in violation. However, once the threshold violation goes away, the RST# will remain active for a programmable reset timeout period ( $t_{PRT0}$ ).

The SMM764 treats Command-Triggered force-shutdown and power-off operations, those caused by I<sup>2</sup>C commands and assertion of the FS# and PWR\_ON pin, differently than those caused by a Fault-Triggered forced-shutdown and power-off conditions, those caused by UV/OV violations or a sequence termination timer expiration. The mode in which either a forced-shutdown or a power-off occurs effects how or whether the SMM764 will restart, and the number of allowable retries permitted.

**TEMPERATURE SENSOR ACCURACY**

The internal temperature sensor accuracy is  $\pm 5^\circ\text{C}$  from -40 to +85 $^\circ\text{C}$ . The sensor measures the temperature of the SMM764 die and the ambient temperature. If VDD is at 5V, the die temperature is +2 $^\circ\text{C}$  and at 12V, it is +4 $^\circ\text{C}$ . In order to calculate this difference in specific applications, measure the VDD or 12VIN supply current and calculate the power dissipated and multiply by 80 $^\circ\text{C}/\text{W}$ . For instance, 5V and 5mA is 25mW, which creates a 2 $^\circ\text{C}$  offset.

**MARGINING**

The SMM764 has two additional ADOC voltage settings for channels A-D, margin high and margin low. The margin high and margin low voltage settings can range from 0.3V to VDD of the converters' nominal output voltage, depending on the specified margin range of the DC-DC converter. These settings are stored in the configuration registers and are loaded into the ADOC voltage setting by margin commands issued via the I<sup>2</sup>C bus. The channel must be enabled for ADOC in order to enable margining. The margin command registers contain two bits for



**APPLICATIONS INFORMATION (CONTINUED)**

each channel that decode the commands to margin high, margin low, or control to the nominal setting. Therefore, any combination of margin high, margin low, and nominal control is allowed in the margining mode.

Once the SMM764 receives the command to margin the supply voltages, it begins adjusting the supply voltages to move toward the desired setting. When all channels are at their voltage setting, a bit is set in the margin status registers.

Note: Configuration writes or reads of registers 00<sub>HEX</sub> to 0F<sub>HEX</sub> should not be performed while the SMM764 is margining.

**POWER-OFF CASCADE SEQUENCING**

The SMM764 performs power-off sequencing in the reverse order of power-on sequencing.

Power-off cascade sequencing can be initiated by the PWR\_ON pin, via I<sup>2</sup>C control or triggered by a fault condition on any of the monitored inputs. Toggling the PWR\_ON pin low will initiate the power-off sequence.

To enable software control of the power-off sequencing feature, the SMM764 offers an I<sup>2</sup>C command to initiate power-off sequencing while the PWR\_ON pin is asserted. Furthermore, power-off sequencing can be initiated by a fault condition on a monitored input.

Once power-off sequencing begins, the SMM764 will wait a power-off delay time ( $t_{DPOFF}$ ) for any channel in the last sequence position and then deactivate the PUP outputs for those channels. The power-off delay times are individually programmable for each channel. The SMM764 will then wait until all VM<sub>x</sub> inputs of the channels assigned to that sequence position are below the programmed OFF thresholds.

At this point, the SMM764 will move to the next sequence position and begin to timeout the power-off delay times for the associated channels. This process continues until all of the channels in the sequence have turned off and are below their OFF thresholds.

The status register reveals that all sequenced channels have turned off. The power-off sequencing mode ends when all sequenced supplies are below their OFF thresholds.

The programmable sequence termination timer can be used to protect against a stalled power-off sequence. This timer resets itself at the beginning of each sequence position. All channels in the sequence position must go below their OFF threshold before the sequence termination timer times out ( $t_{STT}$ ) or the sequence will terminate and all PUP outputs will be switched to their inactive state. This timer has four settings of OFF: 100ms, 200ms and 400ms. The sequence termination timer can be disabled separately for power-off sequencing.

While the SMM764 is in the power-off sequencing mode, the RST# output is held active and the HEALTHY output is held inactive, regardless of trigger sources (Figure 8). The force-shutdown trigger option is also disabled while in this mode. Furthermore, the SMM764 will not respond to activity on the PWR\_ON pin during power-off sequencing mode.

**FORCE SHUTDOWN**

The force-shutdown operation brings all PUP<sub>x</sub> outputs to their inactive state. This operation is used for an emergency shutdown when there is not enough time to sequence the supplies off. The force-shutdown operation shuts off all sequenced channels pulls the PWR\_ON pin low, and waits for the supply voltages to drop below their respective OFF thresholds before beginning a restart sequence.

A force-shutdown operation can be initiated by any one of four events. The first two methods for initiating a force-shutdown are always enabled. Simply taking the FS# pin low will initiate a force-shutdown operation and maintain it until the pin is brought high again. An I<sup>2</sup>C force-shutdown command allows the force-shutdown operation to be initiated via software control. This bit is cleared after all sequenced channels have dropped below their OFF voltage threshold.

**APPLICATIONS INFORMATION (CONTINUED)****LINKED OPERATION**

The SMM764 can be linked to multiple Sequence-Link™ devices to create a seamless multi-channel power manager. With linked operation 8 Sequence-Link devices in a system can sequence up to 46 supplies within 29 sequence positions. The sequencing in this mode can be interlaced, sequencing a supply from device A, then from device B, then again from device A, etc. This extended sequencing is made possible by the inclusion of a SEQ\_LINK pin.

For this mode of operation, the control pins, including SEQ\_LINK, PWR\_ON, and FS# on each device must be tied together. In addition, the VDD and 12V supply must also be connected on all linked devices. As a consequence when multiple devices are linked together, all devices must be powered by the same supply.

**RESTART**

There are two possible conditions in which a restart sequence may be initiated. The first instance occurs when either the FS# pin is asserted or the PWR\_ON pin is pulled low thus initiating a command-triggered restart. The second condition occurs when a user programmable fault triggers a force-shutdown operation or a power-off sequence thus resulting in a fault-triggered restart.

In either case, the SMM764 will wait until all voltages have fallen below their user programmable OFF thresholds, after all channels are off, the PWR\_ON pin will continue to be held low for a period of time dependent on the nature of the fault.

When a power-off or force-shutdown condition results from a command-triggered power-off or force-shutdown, the SMM764 will automatically begin the restart procedure. When restart begins an internal timer will begin to timeout for a command-triggered Restart Delay ( $t_{CTRD}$ ) of 12.5 ms. After this time has expired the PWR\_ON pin is released, allowing the power-on sequence to begin.

When a power-off or force-shutdown condition results from a fault-triggered power-off or force-shutdown, the SMM764 may or may not begin the restart procedure (see PROGRAMMABLE RETRIES), if restart begins the internal timer will begin to timeout a fault-triggered Restart Delay ( $t_{FTRD}$ ) of 2.4 s before the PWR\_ON pin is released allowing the power-on Sequence to begin.

If the SMM764 is programmed to wait for VDD, 12VIN, or Internal Temp to be valid (above UV1 and below OV1) before power-on sequencing may commence, then this condition will be checked after the restart timer has expired and the PWR\_ON pin has been released.

The conditions that may lead to a Fault-Triggered restart include any channel exceeding its user programmable thresholds (OV or UV), set to trigger either a force-shutdown or a power-off sequence. In addition, in the event that the sequence termination timer times out before a channel reaches its UV1 or OFF threshold, during sequencing, a Fault-Triggered restart occur.

**I<sup>2</sup>C POWER OFF CONTROL**

Power-on sequencing is only permitted while the PWR\_ON pin is active. Once the PWR\_ON pin is active and the SMM764 has entered monitoring mode, an I<sup>2</sup>C command may be issued to commence the power-off sequence. This condition will continue until an I<sup>2</sup>C “power on” command is issued.

**PROGRAMMABLE RETRIES**

In the event of a persistent system fault, the SMM764 may be programmed to limit the number of Fault-Triggered restarts it will allow. This programmable setting ensures that the SMM764 will not enter a hiccup-mode of operation, while still reducing susceptibility to transient fault conditions.

In the event of a Fault-Triggered restart the fault will be registered and internally compared to the maximum number of allowable faults. If this number is exceeded then the fault condition will be latched and the PWR\_ON and FS# pins will be pulled low while the RST# output is asserted. This fault condition will remain latched until power is cycled on the SMM764, at which point the PWR\_ON and FS# pins will be released, the number of faults will be reset zero, and the restart sequence will begin. The allowable programmable setting include one, three, and unlimited retries.



## APPLICATIONS INFORMATION (CONTINUED)

### UNDERVOLTAGE LOCKOUT

The internally filtered supply voltage as seen across VDD\_CAP is edge-triggered to lock out false or nuisance signals during both the power-on and power-off sequences. If the VDD\_CAP voltage falls below

2.5V (Figure 10), an internal undervoltage lockout (UVLO) circuit will reset all internal logic. Once power has recovered above 2.6V the SMM764 will restart as if a Command-Triggered power-off had been issued.

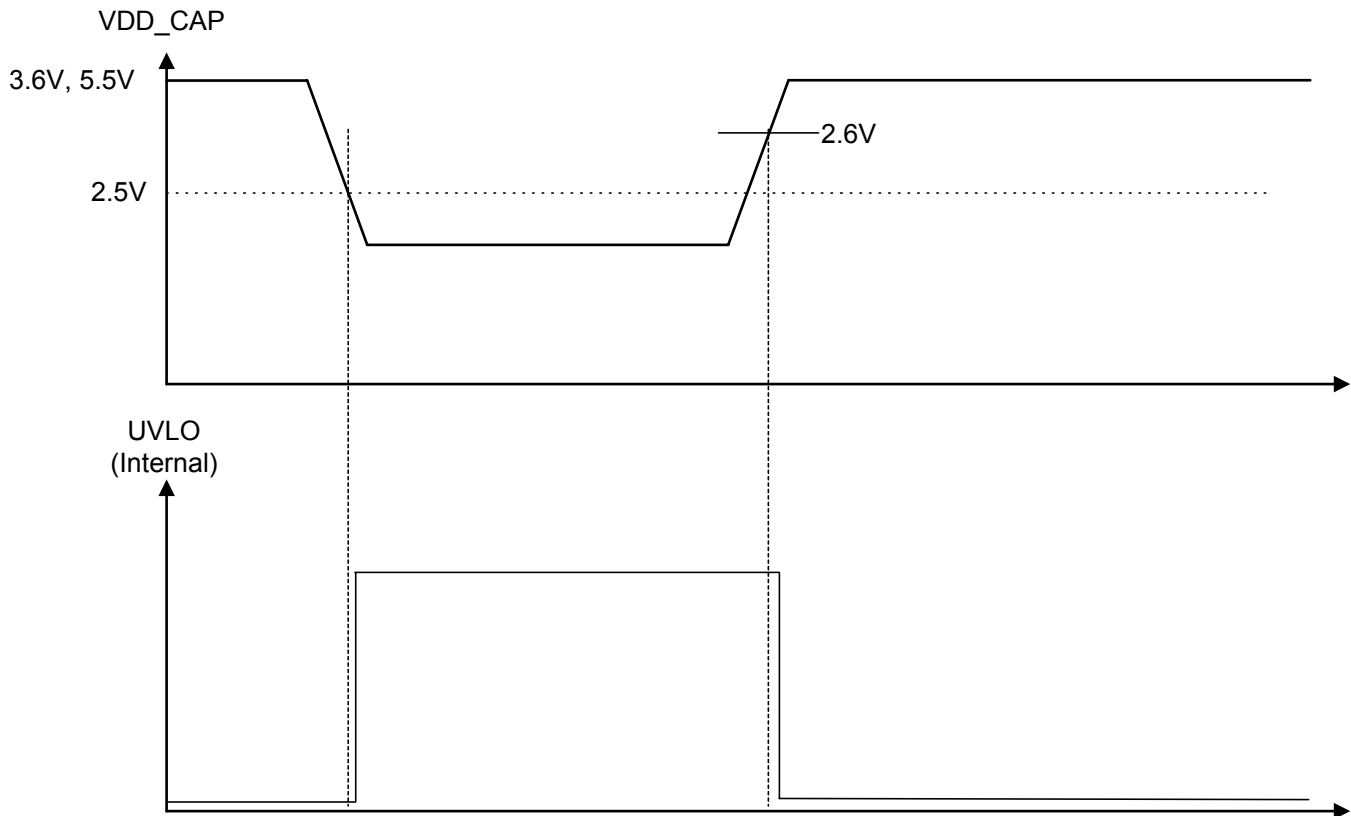


Figure 10 - Timing Sequence recovering from a VDD\_CAP Power 'Brown-Out'



APPLICATIONS INFORMATION (CONTINUED)

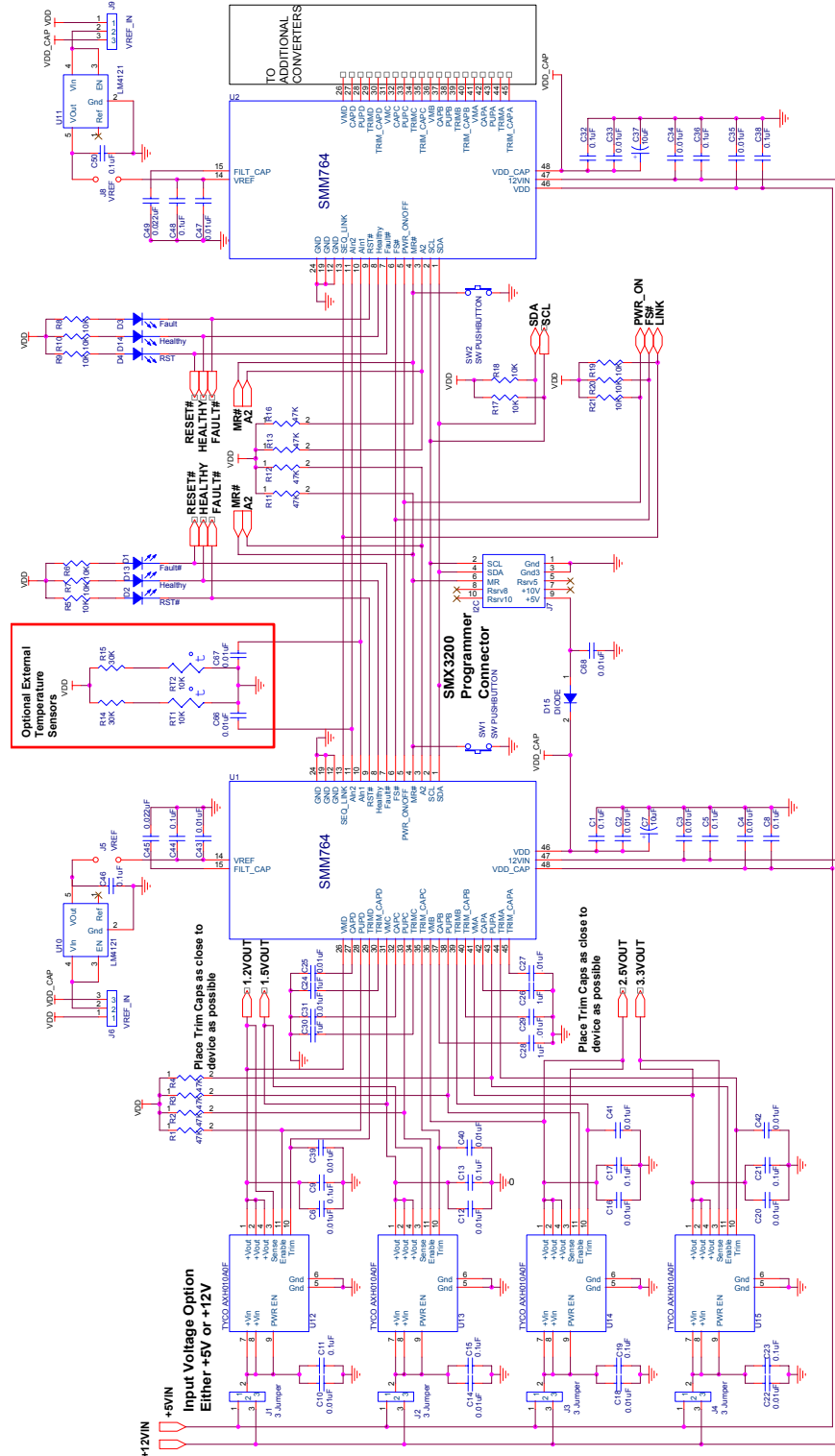


Figure 11 – SMM764 Distributed power applications schematic. The accuracy of the external reference (U10) sets the accuracy of the ADOC function. Total accuracy with a  $\pm 0.1\%$  external reference is  $\pm 0.2\%$



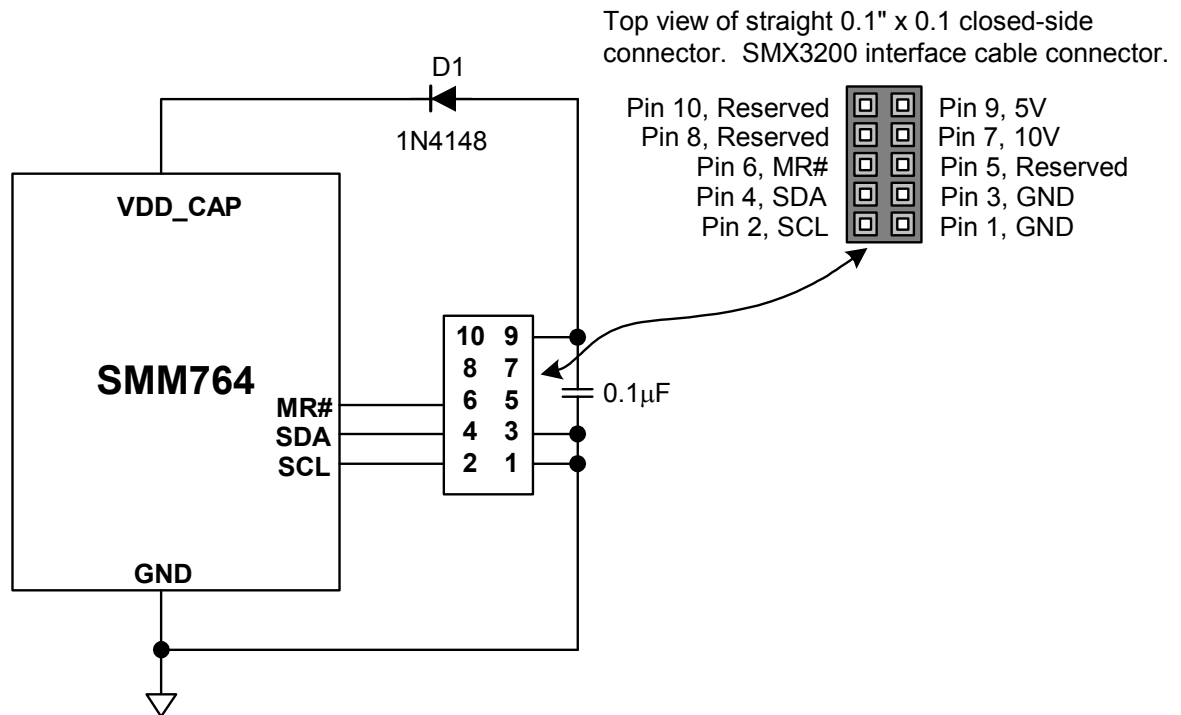
## DEVELOPMENT HARDWARE & SOFTWARE

The end user can obtain the Summit SMX3200 programming system for device prototype development. The SMX3200 system consists of a programming Dongle, cable and Windows™ GUI software. It can be ordered on the website or from a local representative.

The SMX3200 programming Dongle/cable interfaces directly between a PC's parallel port and the target application. The device is then configured on-screen via an intuitive graphical user interface employing drop-down menus.

The Windows GUI software will generate the data and send it in I<sup>2</sup>C serial bus format so that it can be directly downloaded to the SMM764 via the programming Dongle and cable. An example of the connection interface is shown in Figure 15.

When design prototyping is complete, the software can generate a HEX data file that should be transmitted to Summit for approval. Summit will then assign a unique customer ID to the HEX code and program production devices before the final electrical test operations. This will ensure proper device operation in the end application.



**Figure 12 – SMX3200 Programmer I<sup>2</sup>C serial bus connections to program the SMM764. Note that the MR# pin does not need to be connected to pin 6 for programming purposes.**

The latest revisions of all software and an application brief describing the SMX3200 is available from the website at: [http://www.summitmicro.com/tech\\_support/program\\_kit/SMX3200.htm](http://www.summitmicro.com/tech_support/program_kit/SMX3200.htm)



## I<sup>2</sup>C PROGRAMMING INFORMATION

### SERIAL INTERFACE

Access to the configuration registers, general-purpose memory and command and status registers is carried out over an industry standard 2-wire serial interface (I<sup>2</sup>C). SDA is a bi-directional data line and SCL is a clock input. Data is clocked in on the rising edge of SCL and clocked out on the falling edge of SCL. All data transfers begin with the MSB. During data transfers SDA must remain stable while SCL is high. Data is transferred in 8-bit packets with an intervening clock period in which an Acknowledge is provided by the device receiving data. The SCL high period ( $t_{\text{HIGH}}$ ) is used for generating Start and Stop conditions that precede and end most transactions on the serial bus. A high-to-low transition of SDA while SCL is high is considered a Start condition while a low-to-high transition of SDA while SCL is high is considered a Stop condition.

The interface protocol allows operation of multiple devices and types of devices on a single bus through unique device addressing. The address byte is comprised of a 4-bit device type identifier SA[3:0] (slave address) and a 3-bit bus address BA[2:0]. The remaining bit indicates either a read or a write operation. Refer to Table 1 for a description of the address bytes used by the SMM764.

The device type identifier for the memory array is generally set to 1010<sub>BIN</sub> following the industry standard for a typical nonvolatile memory. There is an option to change the identifier to 1011<sub>BIN</sub> allowing it to be used on a bus that may be occupied by other memory devices. The configuration registers are grouped with the memory array and thus use 1010<sub>BIN</sub> or 1011<sub>BIN</sub> as the device type identifier. The command and status registers as well as the 10-bit ADC are accessible with the separate device type identifier of 1001<sub>BIN</sub>.

The bus address bits BA[1:0] are programmed into the configuration registers. Bus address bit BA[2] can be programmed as either 0 or biased by the A2 pin. The bus address accessed in the address byte of the serial data stream must match the setting in the SMM764 and on the A2 pin.

Any access to the SMM764 on the I<sup>2</sup>C bus will temporarily halt the monitoring function. This does not affect the ADOC function, which will continue functioning and control the DC outputs. This is true not only during the monitor mode, but also during power-on and power-off sequencing when the device is monitoring the channels to determine if they have turned on or turned off.

The SMM764 halts the monitor function from when it acknowledges the address byte until a valid stop is received.

### WRITE

Writing to the memory or a configuration register is illustrated in Figures 13, 14, 15, 17 and 19. A Start condition followed by the address byte is provided by the host; the SMM764 responds with an Acknowledge; the host then responds by sending the memory address pointer or configuration register address pointer; the SMM764 responds with an acknowledge; the host then clocks in on byte of data. For memory and configuration register writes, up to 15 additional bytes of data can be clocked in by the host to write to consecutive addresses within the same page. After the last byte is clocked in and the host receives an Acknowledge, a Stop condition must be issued to initiate the nonvolatile write operation.

### READ

The address pointer for the configuration registers, memory, command and status registers and ADC registers must be set before data can be read from the SMM764. This is accomplished by a issuing a dummy write command, which is simply a write command that is not followed by a Stop condition. The dummy write command sets the address from which data is read. After the dummy write command is issued, a Start command followed by the address byte is sent from the host. The host then waits for an Acknowledge and then begins clocking data out of the slave device. The first byte read is data from the address pointer set during the dummy write command. Additional bytes can be clocked out of consecutive addresses with the host providing an Acknowledge after each byte. After the data is read from the desired registers, the read operation is terminated by the host holding SDA high during the Acknowledge clock cycle and then issuing a Stop condition. Refer to Figures 16, 18 and 21 for an illustration of the read sequence.

**I<sup>2</sup>C PROGRAMMING INFORMATION (CONTINUED)****WRITE PROTECTION**

The SMM764 powers up into a write protected mode. Writing a code to the volatile write protection register can disable the write protection. The write protection register is located at address 87<sub>HEX</sub> of slave address 1001<sub>BIN</sub>.

Writing 0101<sub>BIN</sub> to bits [7:4] of the write protection register allow writes to the general-purpose memory while writing 0101<sub>BIN</sub> to bits [3:0] allow writes to the configuration registers. The write protection can re-enable by writing other codes (not 0101<sub>BIN</sub>) to the write protection register. Writing to the write protection register is shown in Figure 13.

**CONFIGURATION REGISTERS**

The majority of the configuration registers are grouped with the general-purpose memory located at either slave address 1010<sub>BIN</sub> or 1011<sub>BIN</sub>. Bus address bits BA[2:1] are programmable. The bus address bit BA[0], however, is used to differentiate the general-purpose memory from the configuration registers and should be set to 1<sub>BIN</sub> when accessing the configuration registers. Bus address bit BA[2] can be programmed as a “virtual 0” or biased by the A2 pin.

An additional configuration register is located at address 84<sub>HEX</sub> of slave address 1001<sub>BIN</sub>.

Writing and reading the configuration registers is shown in Figures 14, 15, 16, 17, and 18

*Note: Configuration writes or reads of registers 00<sub>HEX</sub> to 0F<sub>HEX</sub> should not be performed while the SMM764 is margining.*

**GENERAL-PURPOSE MEMORY**

The 2k-bit general-purpose memory is located at either slave address 1010<sub>BIN</sub> or 1011<sub>BIN</sub>. Bus address bits BA[2:1] are programmable. The bus address bit BA[0], however, is used to differentiate the general-purpose memory from the configuration registers and should be set to 0<sub>BIN</sub> when accessing general purpose memory. Bus address bit BA[2] can be programmed as a “virtual 0” or biased by the A2 pin.

The slave address and bus address must be set each time the memory is accessed. Memory writes and reads are shown in Figures 19, 20 and 21.

**COMMAND AND STATUS REGISTERS**

The command and status registers are located at slave address 1001<sub>BIN</sub>. Writes and reads of the command and status registers are shown in Figures 22 and 23.

**ADC CONVERSIONS**

An ADC conversion on any monitored channel can be performed and read over the I<sup>2</sup>C bus using the ADC read command. The ADC read command, shown in Figure 24, starts with a dummy write to the 1001<sub>BIN</sub> slave address. Bits [6:3] of the word address byte are used to address the desired monitored input. Once the device acknowledges the channel address, it begins the ADC conversion of the addressed input. This conversion requires 70μs to complete. During this conversion time, acknowledge polling can be used. The SMM764 will not acknowledge the address bytes until the conversion is complete. When the conversion has completed, the SMM764 will acknowledge the address byte and return the 10-bit conversion along with a 4-bit channel address echo.

**GRAPHICAL USER INTERFACE (GUI)**

Device configuration utilizing the Windows based SMM764 graphical user interface (GUI) is highly recommended. The software is available from the Summit website (website at: [http://www.summitmicro.com/tech\\_support/tech.htm#GUI](http://www.summitmicro.com/tech_support/tech.htm#GUI)).

Using the GUI in conjunction with this datasheet simplifies the process of device prototyping and the interaction of the various functional blocks. A programming Dongle (SMX3200) is available from Summit to communicate with the SMM764. The Dongle connects directly to the parallel port of a PC and programs the device through a cable using the I<sup>2</sup>C bus protocol.

Slave Address	Bus Address	Register Type
1001 <sub>BIN</sub>	BA2 BA1 BA0	Write Protection Register, Command and Status Registers, One Configuration Registers, ADC Conversion Readout
1010 <sub>BIN</sub> or 1011 <sub>BIN</sub>	BA2 BA1 0	2-k Bits of General-Purpose Memory
	BA2 BA1 1	Configuration Registers

**Table 1 - Address bytes used by the SMM764.**



I<sup>2</sup>C PROGRAMMING INFORMATION (CONTINUED)

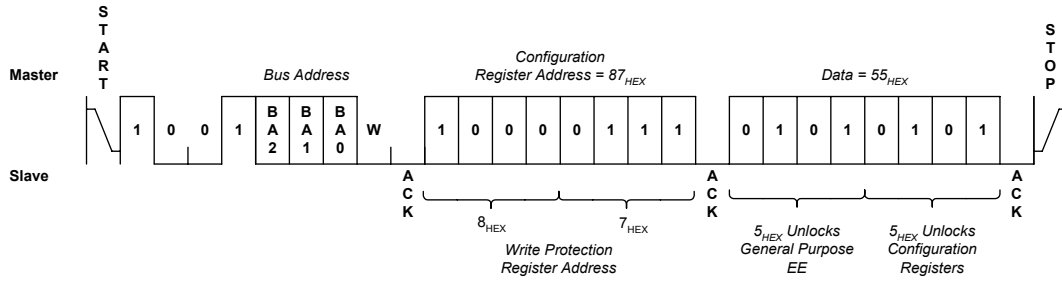


Figure 13 – Write Protection Register Write

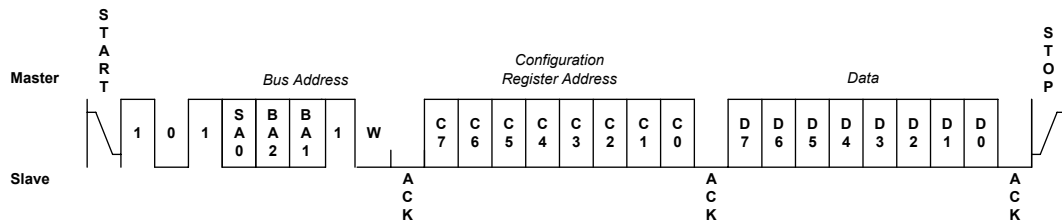


Figure 14 – Configuration Register Byte Write

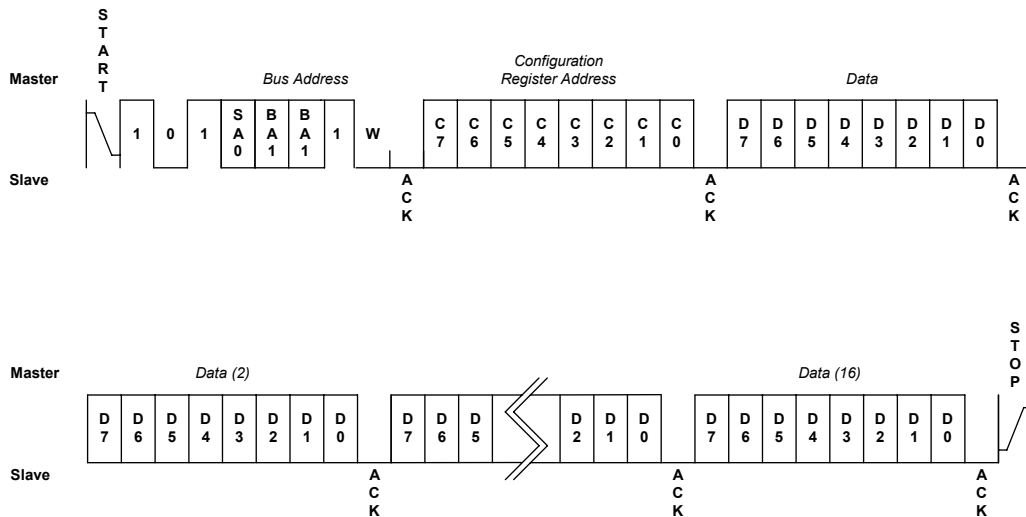


Figure 15 – Configuration Register Page Write





I<sup>2</sup>C PROGRAMMING INFORMATION (CONTINUED)

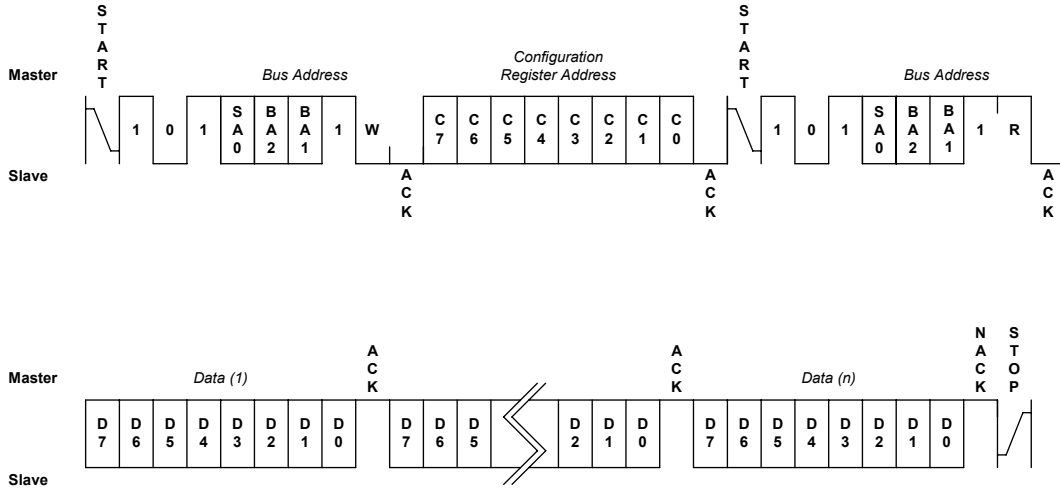


Figure 16 - Configuration Register Read

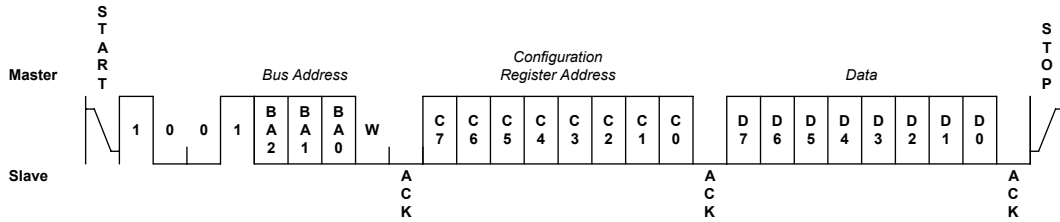


Figure 17 - Configuration Register with Slave Address 1001<sub>BIN</sub> Write

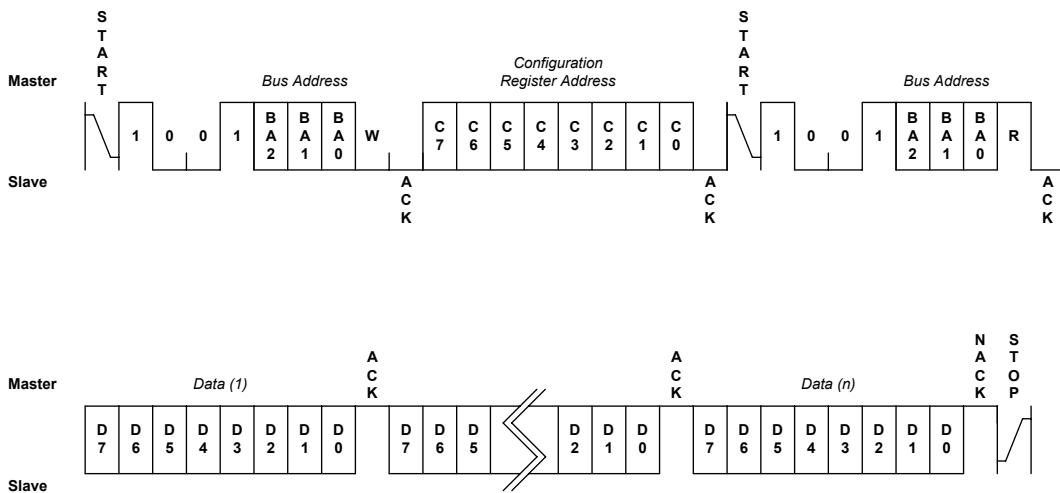


Figure 18 - Configuration Register with Slave Address 1001<sub>BIN</sub> Read



I<sup>2</sup>C PROGRAMMING INFORMATION (CONTINUED)

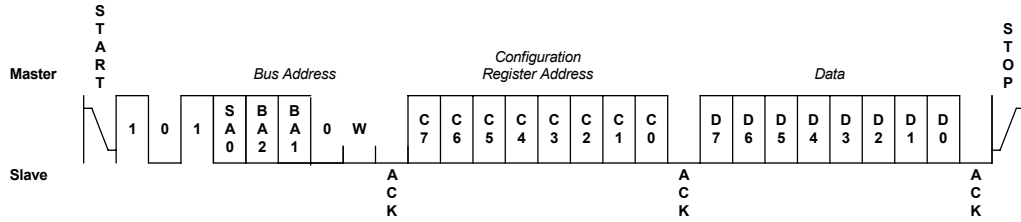


Figure 19 – General Purpose Memory Byte Write

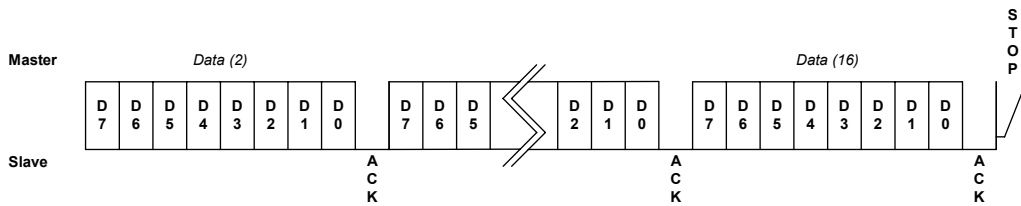
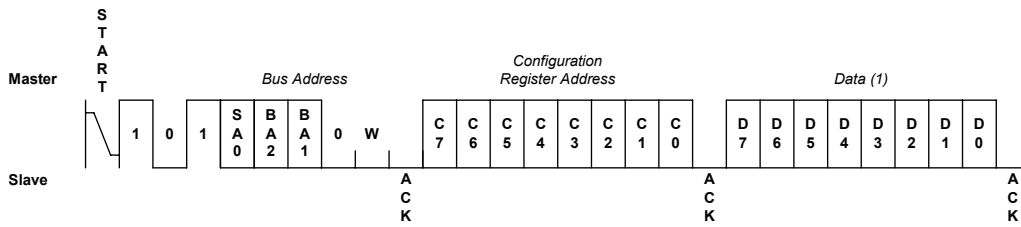


Figure 20 - General Purpose Memory Page Write

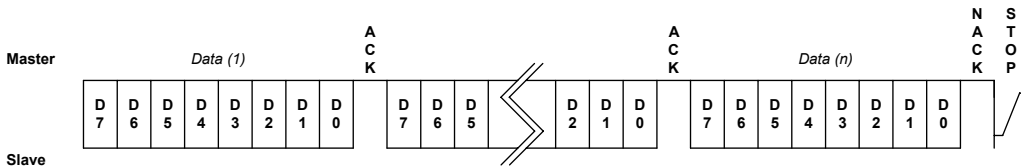
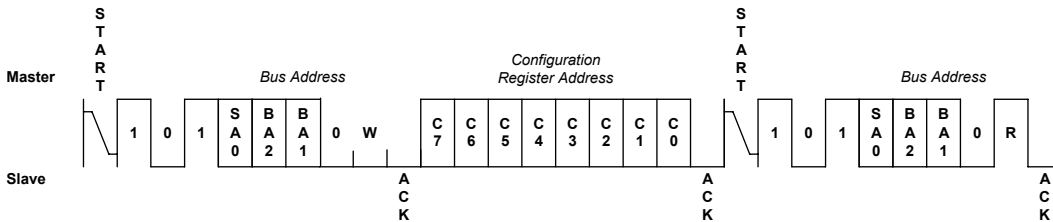


Figure 21 - General Purpose Memory Read



I<sup>2</sup>C PROGRAMMING INFORMATION (CONTINUED)

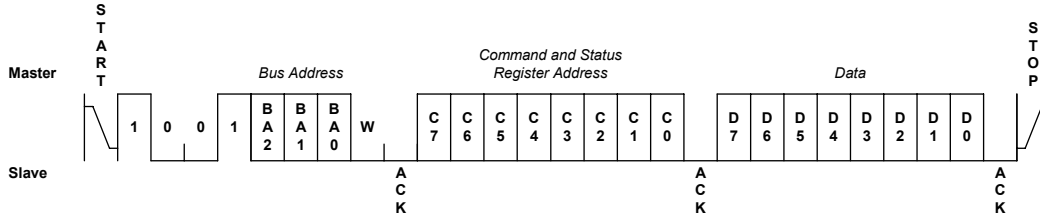


Figure 22 – Command and Status Register Write

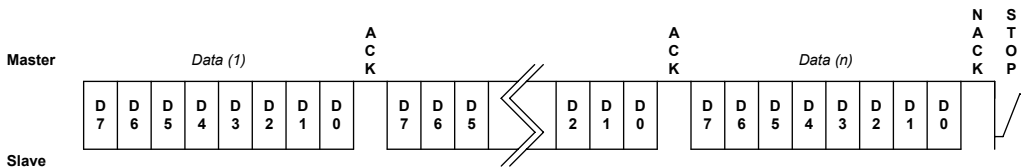
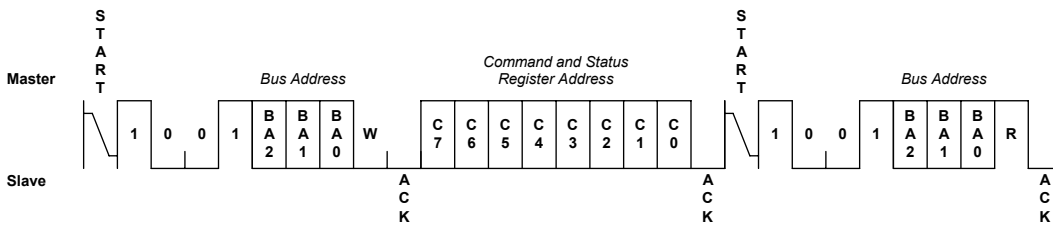


Figure 23 - Command and Status Register Read

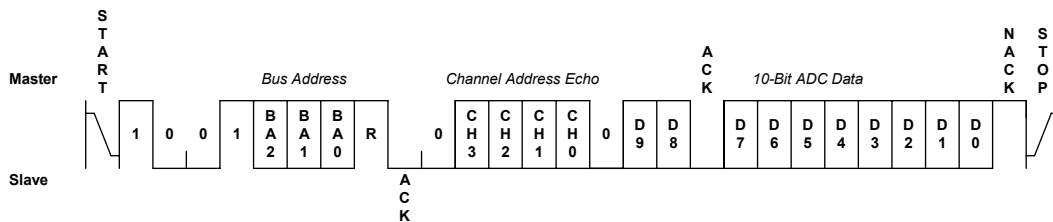
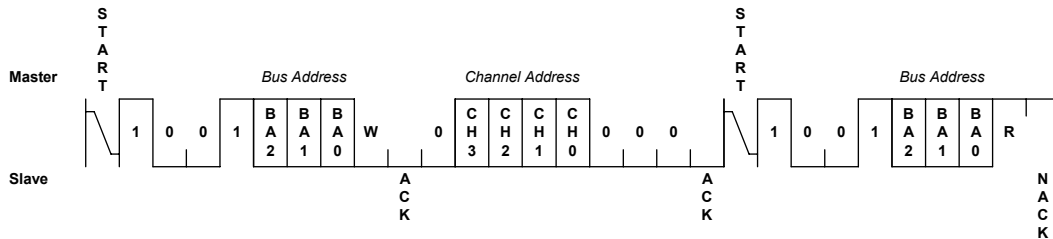


Figure 24 – ADC Conversion Read

**DEFAULT CONFIGURATION REGISTER SETTINGS – SMM764FC-285**

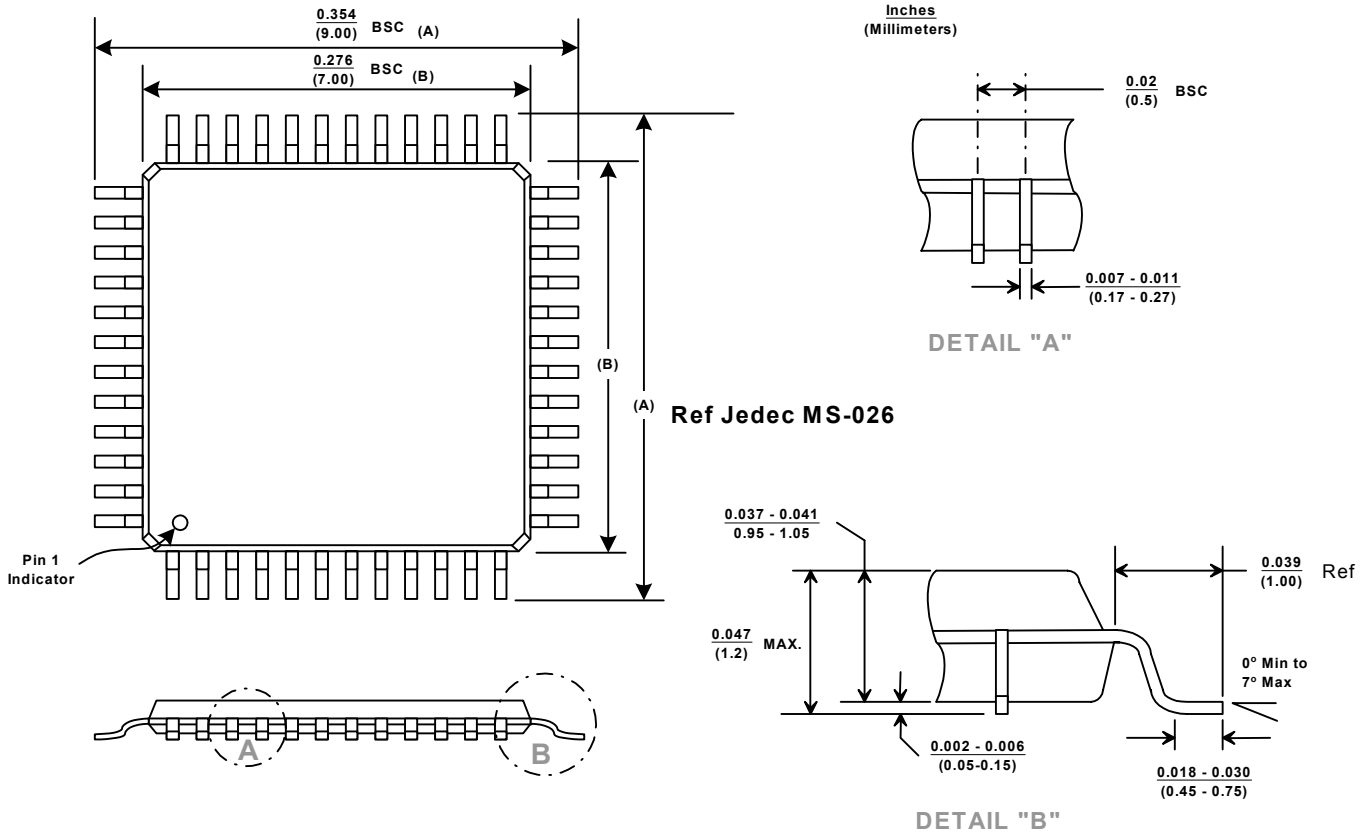
Register	Contents	Register	Contents	Register	Contents
R0	FD	R82	82	RBA	02
R1	84	R83	66	RBB	23
R2	0E	R84	2A	RBC	03
R3	00	R85	CD	RBD	E0
R4	0E	R86	12	RBE	03
R5	80	R87	E1	RBF	E0
R6	0E	R88	49	RC0	03
R7	C7	R89	D7	RC1	38
RC	FF	R8A	81	RC2	03
RD	00	R8B	C3	RC3	38
RE	05	R8C	2A	RC4	01
RF	08	R8D	29	RC5	90
R10	7F	R8E	12	RC6	01
R11	7F	R8F	3D	RC7	90
R12	7F	R90	49	RC8	00
R13	7F	R91	85	RC9	00
R30	FD	R92	81	RCA	00
R31	6E	R93	71	RCB	00
R32	0E	R94	29	RCC	03
R33	DA	R95	D7	RCD	FF
R34	0E	R96	11	RCE	03
R35	46	R97	EC	RCF	FF
R36	0E	R98	49	RD0	00
R37	80	R99	48	RD1	00
R3C	00	R9A	81	RD2	00
R3D	12	R9B	33	RD3	00
R3E	50	R9C	29	RD4	03
R40	FD	R9D	9A	RD5	D8
R41	9D	R9E	11	RD6	03
R42	8E	R9F	AE	RD7	D8
R43	2D	RB0	02	RE0	00
R44	0E	RB1	67	RE0	00
R45	A2	RB2	02	RE1	3D
R46	0F	RB3	52	RE2	00
R47	20	RB4	03	RE3	3D
R4C	00	RB5	FF	RE4	00
R4D	12	RB6	03	RE5	3D
R4E	50	RB7	FF	RE6	00
R80	4A	RB8	02	RE7	3D
R81	7B	RB9	23		

The default device ordering number is SMM764FC-285. It is programmed with the register contents as shown above and tested over the commercial temperature range with a VREF setting of 1.25V. Other standard external VREF voltage settings that can be specified and tested are values of: 1.024, 1.225, 1.250, 2.048, 2.500, 3.000 or 3.300. The value is derived from the customer supplied hex file. New device suffix numbers are assigned to non-default requirements. If other VREF values are required, please contact a Summit Microelectronics Sales Representative.



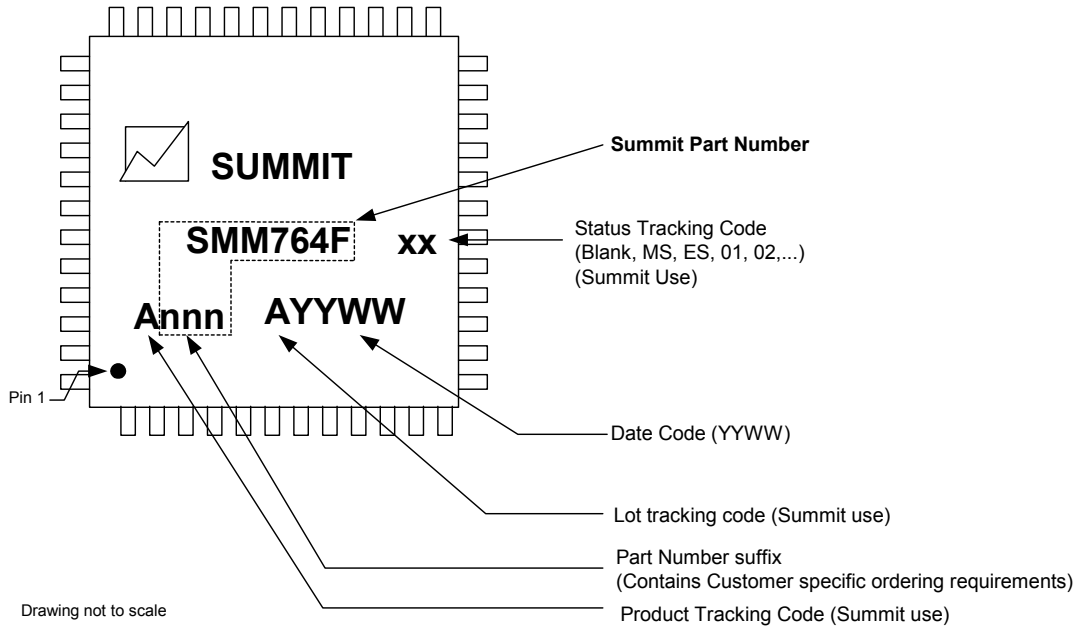
## PACKAGE

### 48 PIN TQFP PACKAGE

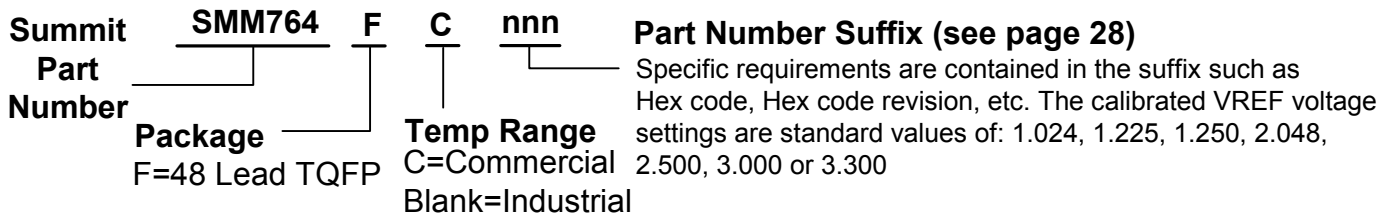




## PART MARKING



## ORDERING INFORMATION



**Terms and Definitions**

Fault-Triggered	This term refers to either a power-off or force-shutdown operation. When a UV, OV, or sequence termination condition trigger a power-off or force-shutdown a fault triggered power-off or force-shutdown is said to occur. This sets the restart delay at 2.4s, and can limit the number of allowable retries. This term has no correlation to the FAULT pin.
Command-Triggered	This term refers to either a power-off or force-shutdown operation. When either the FS# or PWR_ON pin is asserted or an I <sup>2</sup> C command is issued a Command-Triggered power-off or force-shutdown is said to occur. This sets the restart delay at 12.5ms, and will not limit the number of allowable retries.
ADOC™	ADOC (Active DC Output Control) is a proprietary secondary closed loop compensation control, used to maintain output voltages to ±0.2%.
Power-off	Power-off sequencing refers to cascaded power-off sequencing unless explicitly noted. Cascaded power-off sequencing refers to a feedback based supply termination in which each channel in the previous sequence position is monitored, and the monitored voltage must fall below a programmable OFF threshold before the next sequence position is allowed to turn off. Channels in the same sequence position are not capable of Cascaded power-off sequencing.
Power-on	Power-off sequencing refers to cascaded power-off sequencing unless explicitly noted. Cascaded power-off sequencing refers to a feedback based supply termination in which each channel in the previous sequence position is monitored, and the monitored voltage must fall below a programmable OFF threshold before the next sequence position is allowed to turn off. Channels in the same sequence position are not capable of Cascaded power-off sequencing.
Force-shutdown	When all supplies are immediately disabled without regard to sequence position, or any other quantity.
Sequence-Link™	When more than one SMM764 or SMM766 derivatives are connected creating a seamless multi-channel network.
UV	Programmed Under Voltage threshold for monitored channels and supplies
OV	Programmed Over Voltage threshold for monitored channels and supplies
UVLO	Undervoltage Lockout. Prevents voltage at VDD or 12VIN pin from powering the SMM764 until proper operating voltages have been reached.
Margin	The ability to change the nominal output voltage by use of trim pin.
ADC	Analog to Digital Converter. Converts analog voltage to digital voltage. SMM764 represents all measured voltages by 10-bit digital reading.
Retries	The number of times the SMM764 will restart after a Fault-Triggered power-off or force-shutdown.
Restart	When the SMM764 begins power on sequencing, includes initial power-on sequence.
Power-on delay	Delay from restart timer expiration to PUP <sub>Y</sub> pin active
Power-off delay	Programmable delay from VM <sub>X</sub> off to PUP <sub>Y</sub> inactive
Sequence Termination	When a supply fails to reach its programmed UV, or OFF, threshold before expiration of internal timer.
Monitoring	When any quantity including temperature, and voltage is converted to a digital value by the ADC and compared against a user programmable setting.
GUI	Graphical user interface. Program that reads from and writes to non-volatile registers on the SMM764 and displays results in accordance to register function.



---

**NOTICE**

NOTE 1 - This is a ***Preliminary Information*** data sheet that describes a Summit product currently in pre-production with limited characterization.

Revision 1.1 - This document supersedes all previous versions. Data Sheet updates can be accessed by "right" or "left" mouse clicking on the link: [http://www.summitmicro.com/prod\\_select/summary/smm764.htm](http://www.summitmicro.com/prod_select/summary/smm764.htm)

**Device Errata sheets** can be accessed by "right" or "left" mouse clicking on the link: <http://www.summitmicro.com/errata/SMM764>

SUMMIT Microelectronics, Inc. reserves the right to make changes to the products contained in this publication in order to improve design, performance or reliability. SUMMIT Microelectronics, Inc. assumes no responsibility for the use of any circuits described herein, conveys no license under any patent or other right, and makes no representation that the circuits are free of patent infringement. Charts and schedules contained herein reflect representative operating parameters, and may vary depending upon a user's specific application. While the information in this publication has been carefully checked, SUMMIT Microelectronics, Inc. shall not be liable for any damages arising as a result of any error or omission.

SUMMIT Microelectronics, Inc. does not recommend the use of any of its products in life support or aviation applications where the failure or malfunction of the product can reasonably be expected to cause any failure of either system or to significantly affect their safety or effectiveness. Products are not authorized for use in such applications unless SUMMIT Microelectronics, Inc. receives written assurances, to its satisfaction, that: (a) the risk of injury or damage has been minimized; (b) the user assumes all such risks; and (c) potential liability of SUMMIT Microelectronics, Inc. is adequately protected under the circumstances.

© Copyright 2005 SUMMIT MICROELECTRONICS, Inc. **PROGRAMMABLE ANALOG FOR A DIGITAL WORLD™**

ADOC™ and Sequence-Link™ are registered trademarks of Summit Microelectronics Inc., I<sup>2</sup>C is a trademark of Philips Corporation.





# SMM764

*Preliminary Information*

Document Rev.	Description	Date	Owner
1.0	Preliminary datasheet		JJ
1.1	VIH & VIL modified for 0.8 VIH and 0.2 VIL logic levels. TRIM CAP description changed to be left floating when unused.	6/29/2005	JJ