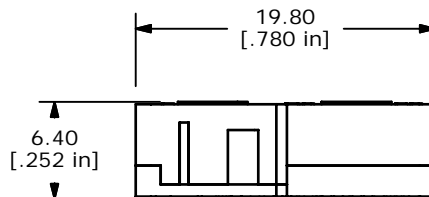
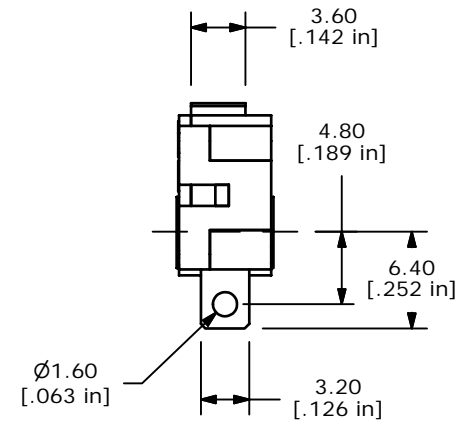
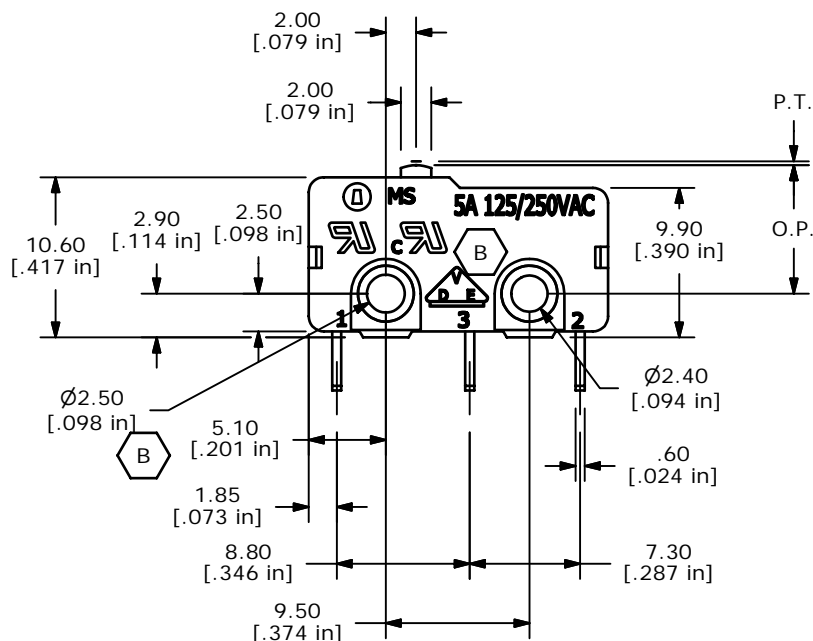
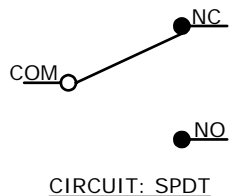


ISOMETRIC



O.P. (MM)	P.T. (MM)
8.5 ±0.3	1.1 MAX

O.P. = OPERATING POINT  
P.T. = PRE-TRAVEL



- NOTES:
1. ALL DIMENSIONS IN MM [INCH]
  2. GENERAL TOLERANCE: X.X=±0.4  
X.XX=±0.25
  3. RATING: 5A @125/250VAC UL, CUL, VDE APPROVED
  - ▲4. OPERATING FORCE: 060±25 GRAMS
  5. OPERATING TEMP: -25°C TO 85°C
  6. ELECTRICAL LIFE: 50,000 CYCLES MIN.
  7. MECHANICAL LIFE: 1,000,000 CYCLES TYP.
  8. INSULATION RESISTANCE: 100 MEGA-OHMS
  9. DIELECTRIC STRENGTH: 1000VAC 1 MINUTE (INITIAL VALUE)
  10. CONTACT RESISTANCE: 100 MILLI-OHMS MAX.
  11. 2002/95/EC (ROHS) COMPLIANT.
  12. ▲ DENOTES CRITICAL PARAMETER.



REV	PCR NO	DESCRIPTION	DATE	BY
B	15665	CHANGES NOTED	1/5/06	PH
A	15295	RELEASED FOR PRODUCTION	9/22/05	PH

TITLE MS0850500F060S1A				
SCALE 2:1	DATE 9/22/2005	DR PH	DWG Q970034	REV B

THE INFORMATION CONTAINED IN THIS DOCUMENT IS PROPRIETARY TO E-SWITCH AND IS NOT TO BE COPIED OR TRANSFERRED