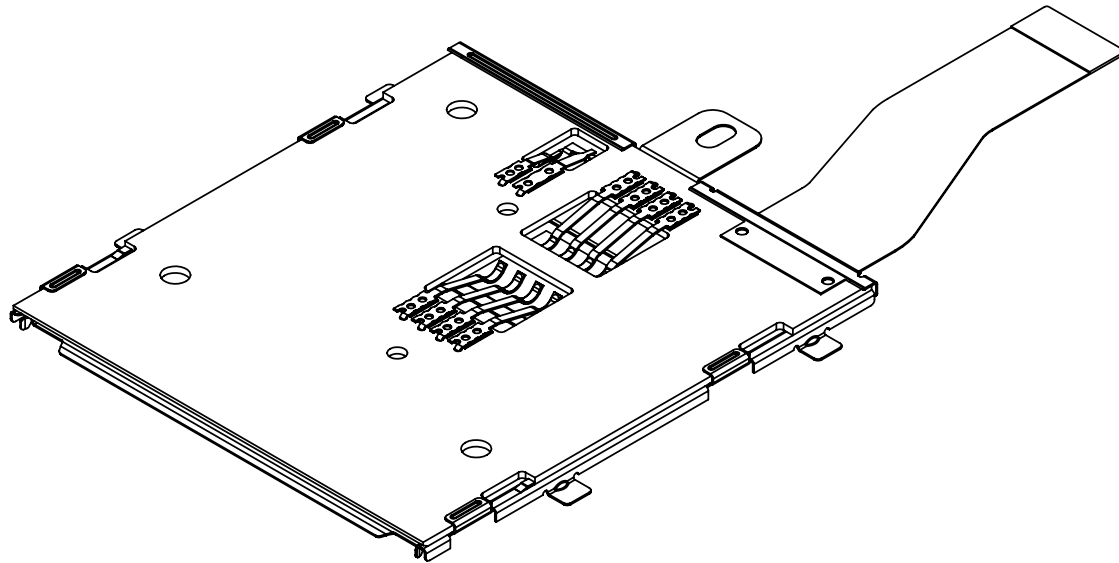


Tous droits strictement réservés. Reproduction ou communication a des tiers interdite sous quelque forme que ce soit sans autorisation écrite du propriétaire.
 Property of © FCI ELECTRONICS INC.
 Droits de reproduction FCI ELECTRONICS INC.

All rights strictly reserved. Reproduction or issue to third parties in any form whatever is not permitted without written authority from the proprietor.
 Property of © FCI ELECTRONICS INC.
 Copyright FCI ELECTRONICS INC.

PRODUCT NO.	FPC	PACKAGING	COMPONENTS	LEAD FREE	PCB COLOR
10010556-002LF	10010559-002LF	10017475-02-002	ELEC. PARTS	YES	BLUE
10010556-003LF	10105325-001	10017475-02-009	N/A	YES	BLACK
10010556-004LF	10056226-002LF(FFC)	10017475-02-004	N/A	YES	BLUE
10010556-006LF	10058983-001LF	10017475-02-003	N/A	YES	BLACK
10010556-005LF	10056226-003LF(FFC)	10017475-02-004	N/A	YES	BLUE
10010556-007LF	10081578-001	10017475-02-006	N/A	YES	BLACK
10010556-008LF	10056226-004LF(FFC)	10017475-02-003	N/A	YES	BLUE
10010556-009LF	10083983-001(FFC)	10017475-02-008	N/A	YES	BLUE
10010556-010LF	10056226-005LF(FFC)	340391-202	N/A	YES	GREEN
10010556-011LF	10087561-001	10017475-02-007	N/A	YES	BLUE
10010556-012LF	10087561-002	10017475-02-007	N/A	YES	BLUE
10010556-013LF	10088568-001	10017475-02-006	N/A	YES	BLACK
10010556-014LF	10087561-004	10017475-02-004	N/A	YES	BLUE
10010556-015LF	10099689-001(FFC)	10017475-02-006	N/A	YES	BLACK
10010556-016LF	10056226-006LF(FFC)	340391-202	N/A	YES	GREEN
10010556-017LF	10056226-007LF(FFC)	340391-202	N/A	YES	GREEN
10010556-018LF	10107293-001(FFC)	10017475-02-004	N/A	YES	GREEN



NOTE :

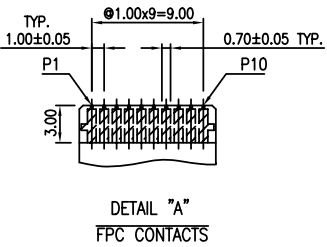
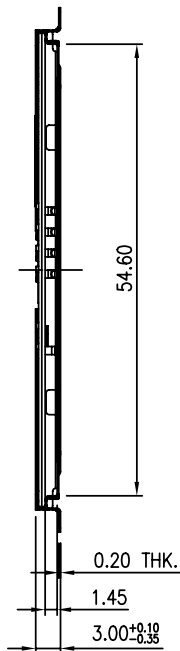
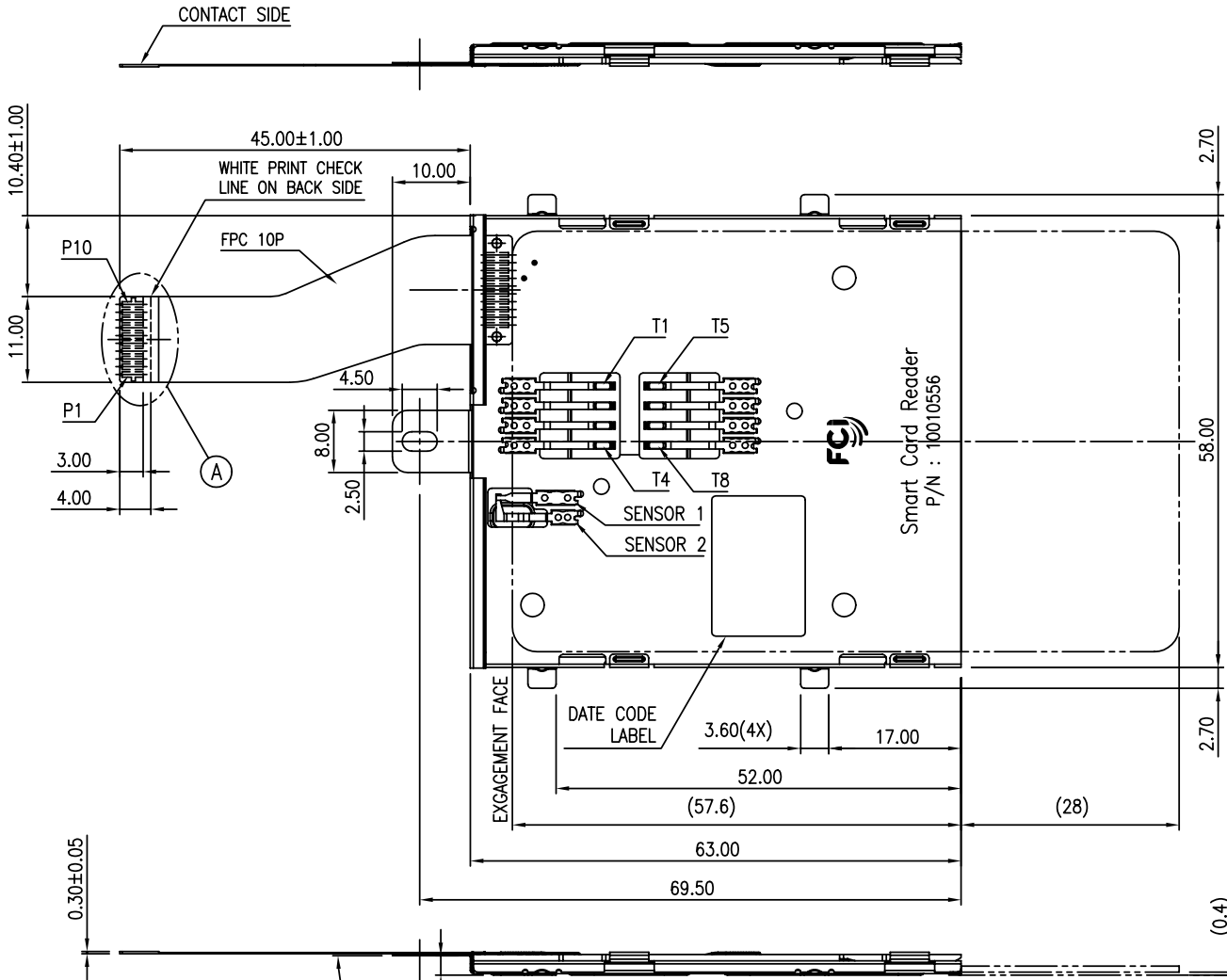
- SMART CARD READER FOR LOWER PROFILE HEIGHT OF 3.0 mm.
- TOTAL CIRCUIT RESISTANCE PER ONE LOOP SHALL NOT EXCEED 100 MILLIOHMS.
- MATERIALS :
 CONTACTS : COPPER ALLOY, GOLD OVER NICKEL ON CONTACT AREA.
 TOP PCB : FR4.
 COVER : STAINLESS STEEL.
- ENVIRONMENT :
 STORAGE TEMPERATURE : FROM -40°C TO 100°C.
 OPERATION TEMPERATURE : FROM -40°C TO 85°C.

mat'l. code		tolerances unless otherwise specified		CUSTOMER COPY		FCI www.fciconnect.com	
ltr	ecr no	dr	date	.X ± 0.5		projection	
R	N08-0136	SH	07/07/08	.XX ± 0.30		title SMART CARD READER ASSEMBLY	
S	N08-0212	SH	10/06/08	.XXX ± 0.10		product family 95	
T	N09-0224	SH	7/15/09	0° ± 2°		size/ dwg no	
U	N09-0306	SH	10/13/09	dr	A.JUANG 6/7'02	code -	
V	N10-0058	SH	3/3/10	enr	A.JUANG 6/7'02	sheet 1 of 20	
				chr	A.JUANG 6/7'02	scale NONE	
				appd	JENN.TSAO 6/7'02	A3 10010556	
sheet index	revision sheet						

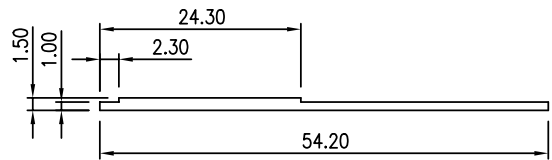
Tous droits strictement réservés. Reproduction ou communication a des tiers interdite sous quelque forme que ce soit sans autorisation écrite du propriétaire. Propriété de © FCI ELECTRONICS INC. Droits de reproduction FCI ELECTRONICS INC.

All rights strictly reserved. Reproduction or issue to third parties in any form whatever is not permitted without written authority from the proprietor. Property of © FCI ELECTRONICS INC. Copyright FCI ELECTRONICS INC.

PRODUCT NO.
10010556-002LF



SMART CARD	TERMINAL	FPC	FUNC.
C4	T4	P1	RFU
C3	T3	P2	Clock
C2	T2	P3	Reset
C1	T1	P4	Vcc
SENSOR 1	SENSOR 1	P5	SENSOR
SENSOR 2	SENSOR 2	P6	SENSOR
C5	T5	P7	Gnd
C6	T6	P8	Vpp
C7	T7	P9	I/O
C8	T8	P10	RFU



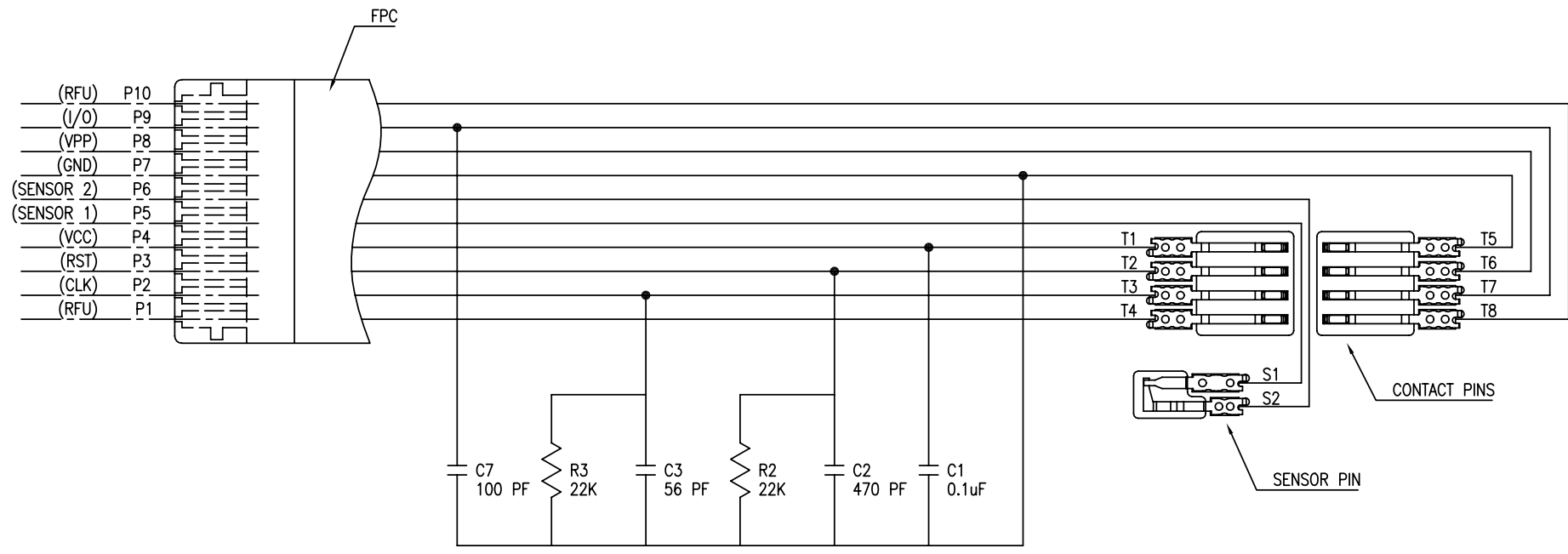
mat'l. code		tolerances unless otherwise specified		CUSTOMER COPY		FCI		www.fciconnect.com	
ltr	ecr no	dr	date	linear	.X ± .5	projection	title	SMART CARD READER ASSEMBLY	
v					.XX ± .30	0° ± 2'		product family SMART PLUS	
				angles	.XXX ± .10	mm	size	A3 10010556	
				dr	0° ± 2'	NONE	scale	sheet 2 of 18	
				enr	A. JUANG 6/7/'02			code	
				chr	A. JUANG 6/7/'02			size	
				appd	JENN TSAO 6/7/'02			sheet	
sheet index	revision sheet							code	

Tous droits strictement réservés. Reproduction ou communication a des tiers interdite sous quelque forme que ce soit sans autorisation écrite du propriétaire. Propriété de © FCI ELECTRONICS. Droits de reproduction FCI ELECTRONICS INC.



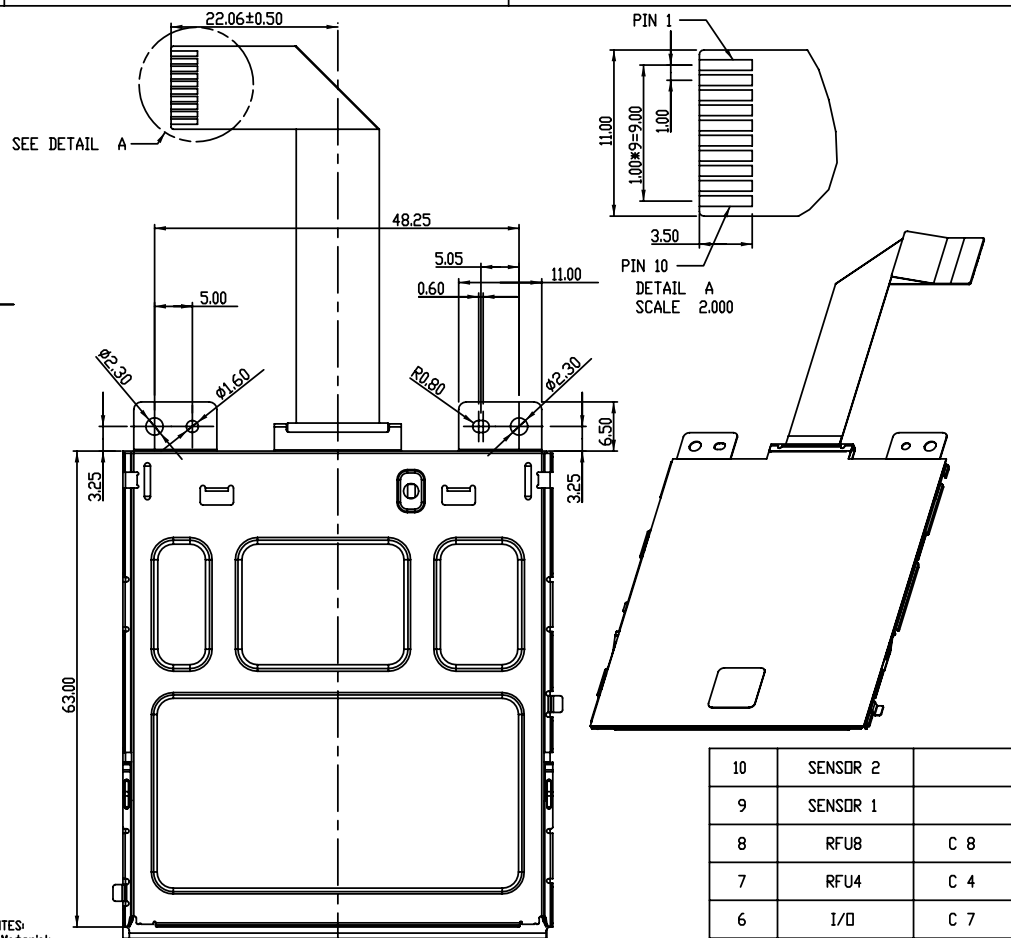
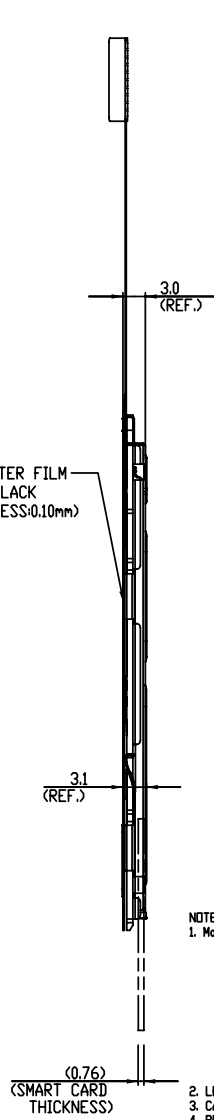
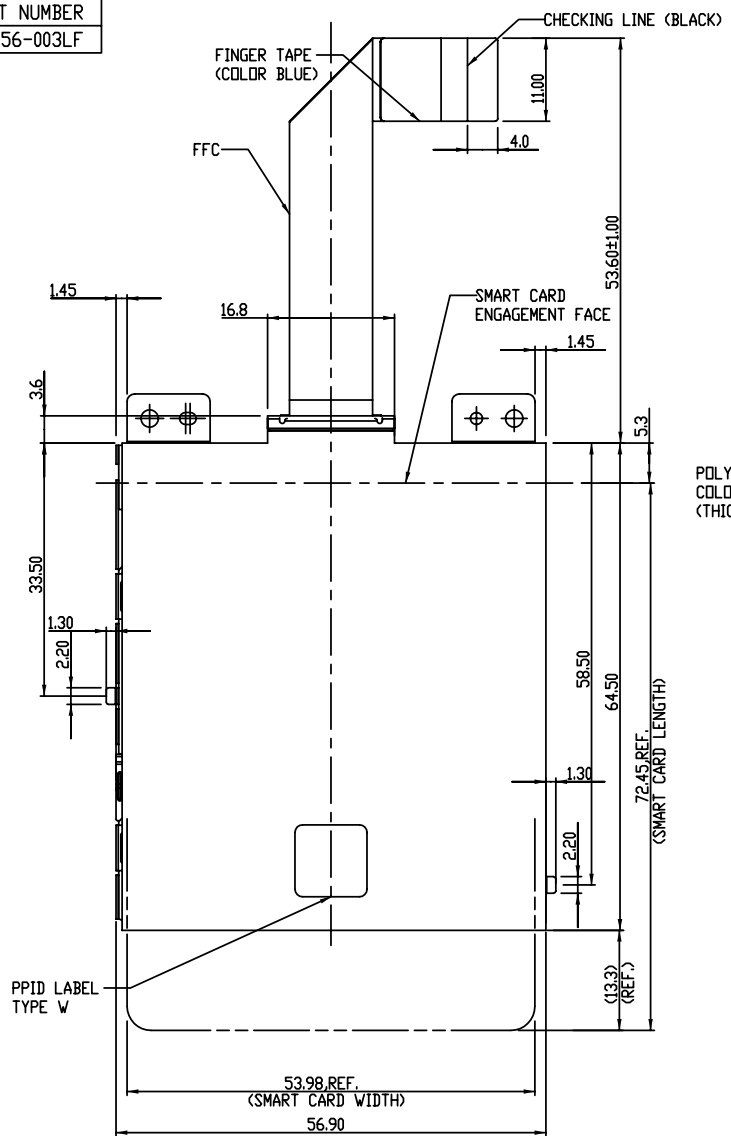
All rights strictly reserved. Reproduction or issue to third parties in any form whatever is not permitted without written authority from the proprietor. Copyright FCI ELECTRONICS INC. Property of © FCI ELECTRONICS

PRODUCT NO.
10010556-002LF



mat'l. code		tolerances unless otherwise specified		CUSTOMER COPY		FCI www.fciconnect.com		
ltr	ecn no	dr	date	linear	.X ± .5	projection	title	
v					.XX ± .30		SMART CARD READER	
					.XXX ± .10		ELEC. PASSIVE COMPONENTS CIRCUIT	
				angles	0° ± 2'		product family	code
				dr	A. JUANG 6/7/'02	mm	SMART PLUS	-
				engr	A. JUANG 6/7/'02	scale	size	dwg no
				chr	A. JUANG 6/7/'02	NONE	A3	10010556
				appd	JENN TSAO 6/7/'02			3 of 18
sheet index	revision sheet							

PART NUMBER
0010556-003LF



NOTES:
1. Material:
1a. METAL SHELL: STAINLESS STEEL, T=0.20mm.
1b. GUIDE BLOCK: THERMOPLASTIC, UL94V-0.
1c. PCB: FR-4, T=0.80mm, UL94V-0.
1d. FLAT CABLE: POLYESTER, UL20624, NO PRINTING, PLATING SPEC AS BELOW:
CONTACT SIDE PLATING: Au 1-3 uin.
SOLDER SIDE PLATING: Pure Tin 50uin Min.
1e. TERMINAL: PHOSPHOR BRONZE, PLATING SPEC AS BELOW:
UNDERPLATING: Ni 100 uin Min.
CONTACT PLATING: Au 30 uin Min.
SOLDER TAIL: Pure TIN 75 uin Min.
2. LEAD FREE AND ROHS COMPLIANT PRODUCT.
3. CARD DETECTION SWITCH NORMALLY OPEN WITHOUT MATING CARD.
4. REFERENCE SPECIFICATION:
PRODUCT SPEC: GS-12-231.
PACKING SPEC: GS-14-829.

10	SENSOR 2	
9	SENSOR 1	
8	RFU8	C 8
7	RFU4	C 4
6	I/O	C 7
5	CLOCK	C 3
4	VPP	C 6
3	RESET	C 2
2	GND	C 5
1	VCC	C 1
PIN NO.	ASSIGNMENT	DEFINED BY ISO 7816



Copyright FCI.

rev	ecn no	dr	date
1	PRE	BENNY	08/21/09
2	PRE	BENNY	08/25/09
U	N09-0306	SH	10/13/09
V	-	-	-
-	-	-	-
-	-	-	-
-	-	-	-

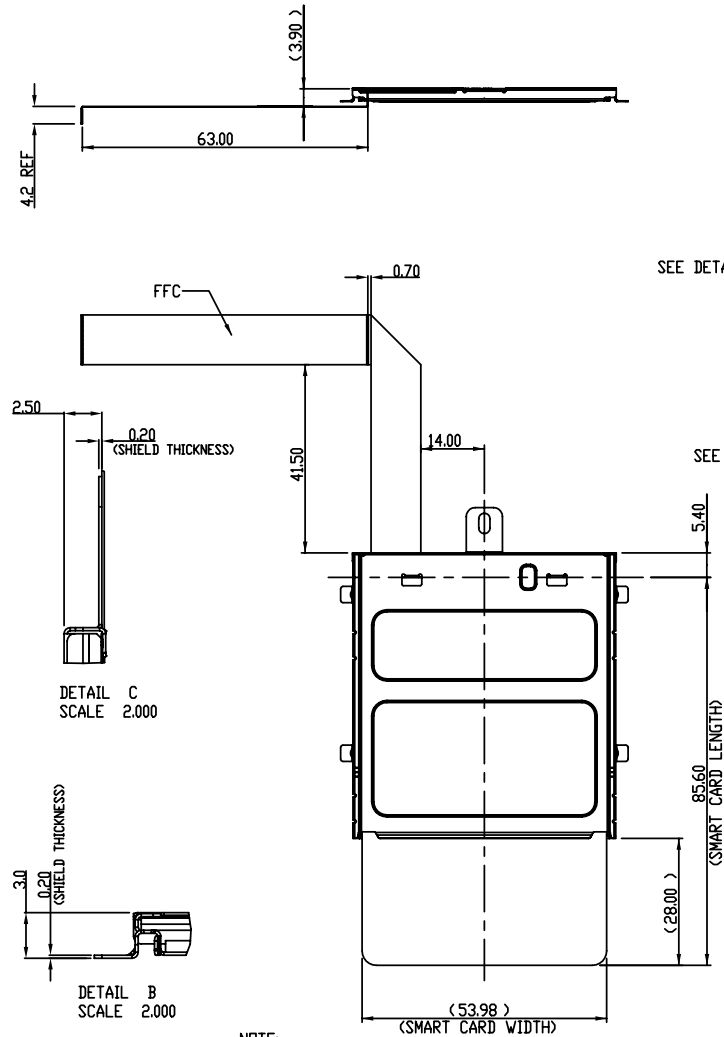
www.fciconnect.com		surface x	tolerance x	std x	projection	MM	
		TOLERANCES UNLESS OTHERWISE SPECIFIED					
Dr	BENNY CHEN	08/21/09	ANGULAR	0.X	±0.25	size	A4
Eng	BENNY CHEN	08/21/09	LINEAR	0.XX	±0.15	Scale	0.500
Chr	PAUL WANG	08/24/09	0° ±X°	0.XXX	±X	ECN	*
Appr	JOSAPH HSIA	08/24/09	Product family			Spec ref	*
FCI		title		ASSEMBLY		dwg no	
				SMART CARD READER		10010556	
		catalog no		* CUSTOMER DRAWING		sheet 4 of	
						Rev. V	

Tous droits strictement reserves. Reproduction ou communication a des tiers interdite sous quelque forme que ce soit sans autorisation écrite du propriétaire. Propriete de c FCI. Droits de reproduction FCI.



All rights strictly reserved. Reproduction or issue to third parties in any form whatever is not permitted without written authority from the proprietor. Property of FCI. Copyright FCI.

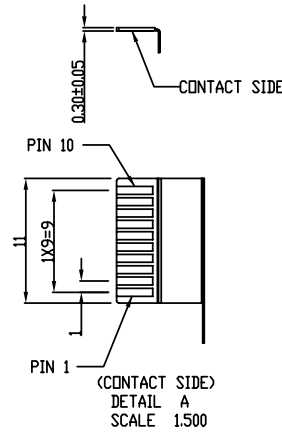
PRODUCT NO
10010556-004LF



DETAIL C
SCALE 2.000

DETAIL B
SCALE 2.000

- NOTE:
1. Material:
METAL SHELL: STAINLESS STEEL, T=0.20mm
PCB: FR-4, T=0.80mm
TERMINAL: PHOSPHOR BRONZE.
PLATING SPEC AS BELOW:
ALL OVER NICKEL UNDERPLATING
GOLD PLATING ON CONTACT SURFACE.
MATTE TIN PLATING ON SOLDER TAIL.
FLEXIBLE: TOTAL LENGTH=124±2mm
PLATING SPEC AS BELOW:
CONTACT SURFACE: TIN PLATING.
SOLDER TAIL: TIN PLATING.
2. CARD DETECTION SWITCH NORMALLY OPEN WITHOUT MATING CARD
3. REFERENCE SPECIFICATION:
PRODUCT SPEC. GS 12-231
PACKING SPEC. GS 14-829



SEE DETAIL A

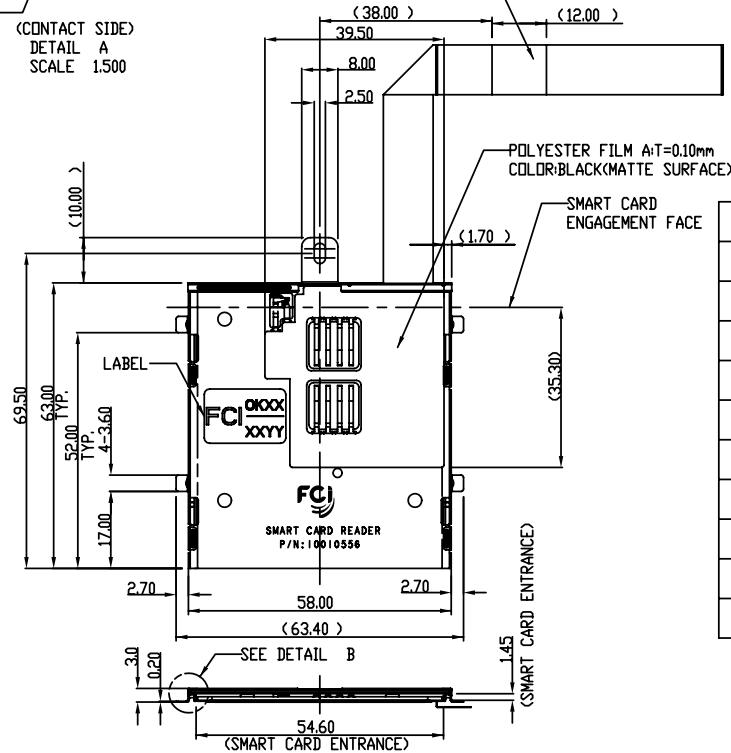
SEE DETAIL C

0.30

0.40 ±0.05

POLYESTER FILM BiT=0.10mm
COLOR: BLACK (MATTE SURFACE)

SCALE 0.400



DETAIL A
SCALE 1.500

DETAIL B

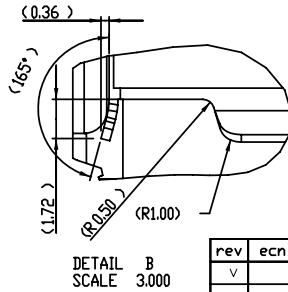
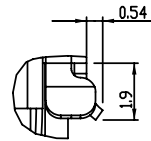
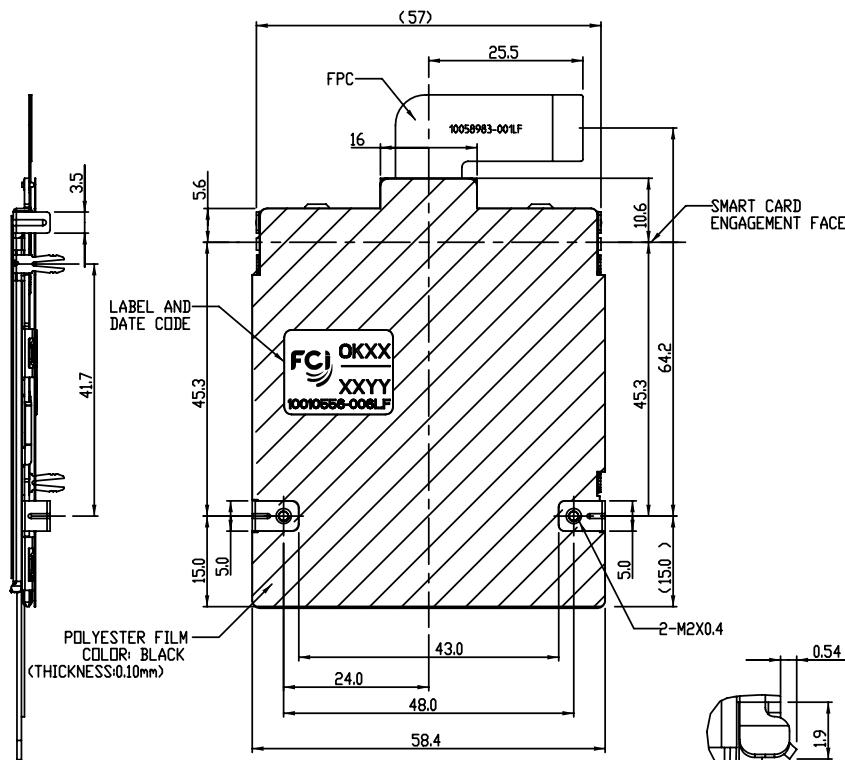
10	RFU
9	I/O
8	Vpp
7	GND
6	Sensor 2
5	Sensor 1
4	Vcc
3	Reset
2	Clock
1	RFU
PIN NO.	ASSIGNMENT

TOLERANCE UNLESS OTHERWISE SPECIFIED	
LINEAR	X.X=±0.5 X.XX=±0.3 X.XXX=±0.10
ANGLE	±0°30'

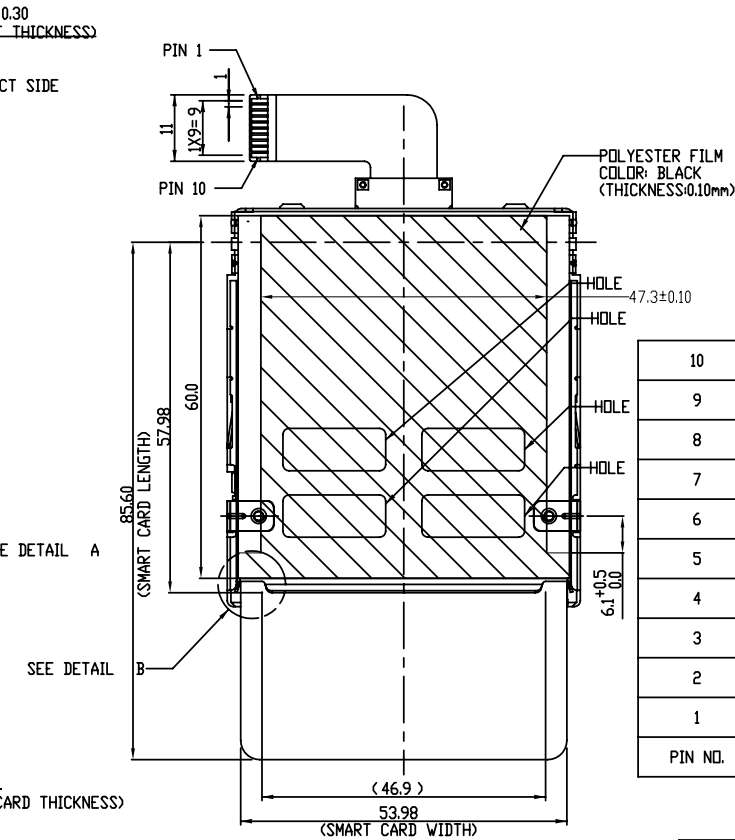
Mark with 10010556-004LF REV. in area indicated by X....		Material		Spec ref	
		Mat code		tolerance	projection
		Heat treat		✓	MM
		Plating/Finish		⊕	↔
rev	ecn no	dr	date	Dr	BENNY CHEN 07/06/05
V				Eng	BENNY CHEN 07/06/05
				Chr	Paul Wang 08/11/05
				Appr	Joseph Hsia 08/11/05
		Product family		size	A4
		Model Name		Scale	0.500
		Model Revision		ECN	
		REL Level			
		title		ASSEMBLY	
		catalog no		SMART CARD READER	
		dwg no		10010556	
		CUSTOEMER DRAWING		sheet 5 of	

PRODUCT NO
10010556-006LF

Tous droits strictement reserves. Reproduction ou communication a des tiers interdite sous quelque forme que ce soit sans autorisation écrite du propriétaire. Propriete de c FCI. Droits de reproduction FCI.



rev	ecn no	dr	date
v			



PIN NO.	ASSIGNMENT
10	SENSOR 2
9	SENSOR 1
8	RFU
7	I/O
6	Vpp
5	Gnd
4	RFU
3	Clock
2	Reset
1	Vcc

TOLERANCE UNLESS OTHERWISE SPECIFIED	
LINEAR	X.X=±0.5 X.XX=±0.3 X.XXX=±0.10
ANGLE	

www.fciconnect.com		<input checked="" type="checkbox"/> tolerance	<input checked="" type="checkbox"/> projection	MM
Dr	BENNY CHEN 08/04/05	Product family	size	A4
Eng	BENNY CHEN 08/04/05	Spec ref	Scale	1.000
Chr	PAUL WANG 09/02/05	Material	ECN	
Appr	JOSEPH HSIA 09/02/05			
title		SMART CARD READER (FPC CABLE) ASSEMBLY		Rev.
catalog no		CUSTOMER DRAWING		V
		10010556		sheet 6 of

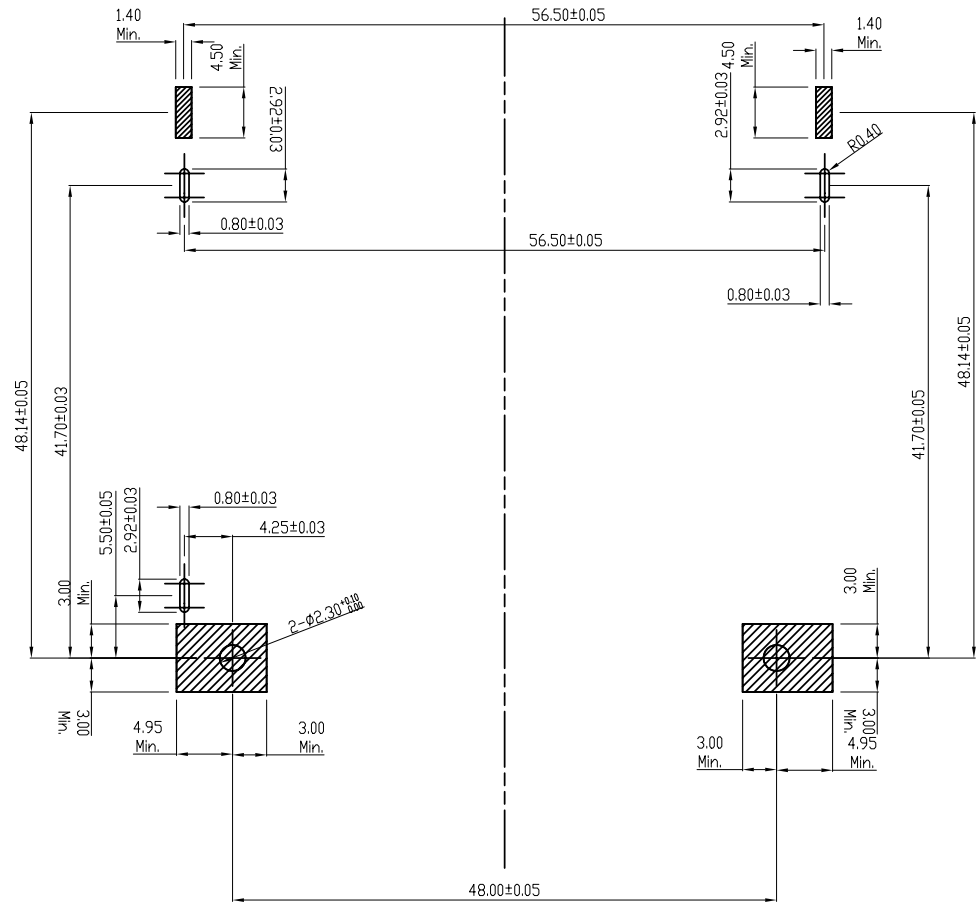
All rights strictly reserved. Reproduction or issue to third parties in any form whatever is not permitted without written authority from the proprietor. Property of FCI. Copyright FCI.

Tous droits strictement reserves. Reproduction ou communication a des tiers interdite sous quelque forme que ce soit sans autorisation ecrite du proprietaire. Propriete de c FCI. Droits de reproduction FCI.

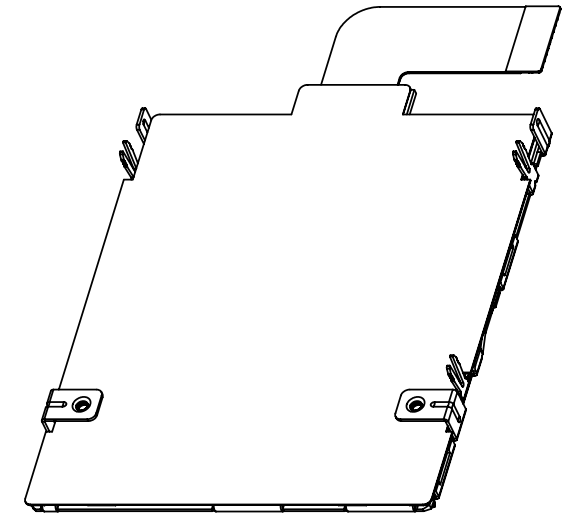


All rights strictly reserved. Reproduction or issue to third parties in any form whatever is not permitted without written authority from the proprietor. Property of FCI. Copyright FCI.

PRODUCT NO
10010556-006LF



RECOMMENDED PCB LAYOUT
(PCB THICKNESS: 1.2 mm)
(MOUNTING SIDE)



NOTE:
1. MATERIAL:
METAL SHELL: STAINLESS STEEL, T=0.40mm
PCB: FR-4, T=0.80mm
TERMINAL: PHOSPHOR BRONZE.
PLATING SPEC AS BELOW:
ALL OVER NICKEL UNDERPLATING
GOLD PLATING ON CONTACT SURFACE.
MATTE TIN PLATING ON SOLDER TAIL.
FLEX CIRCUIT CABLE (FPC):
PLATING SPEC AS BELOW:
CONTACT SURFACE: GOLD FLASH PLATING.
SOLDER TAIL: PURE TIN PLATING.
2. CARD DETECTION SWITCH NORMALLY OPEN WITHOUT MATING CARD
3. REFERENCE SPECIFICATION:
PRODUCT SPEC. GS-12-231
PACKING SPEC. GS-14-829

rev	ecn no	dr	date
V	-	-	-
-	-	-	-
-	-	-	-
-	-	-	-
-	-	-	-
-	-	-	-

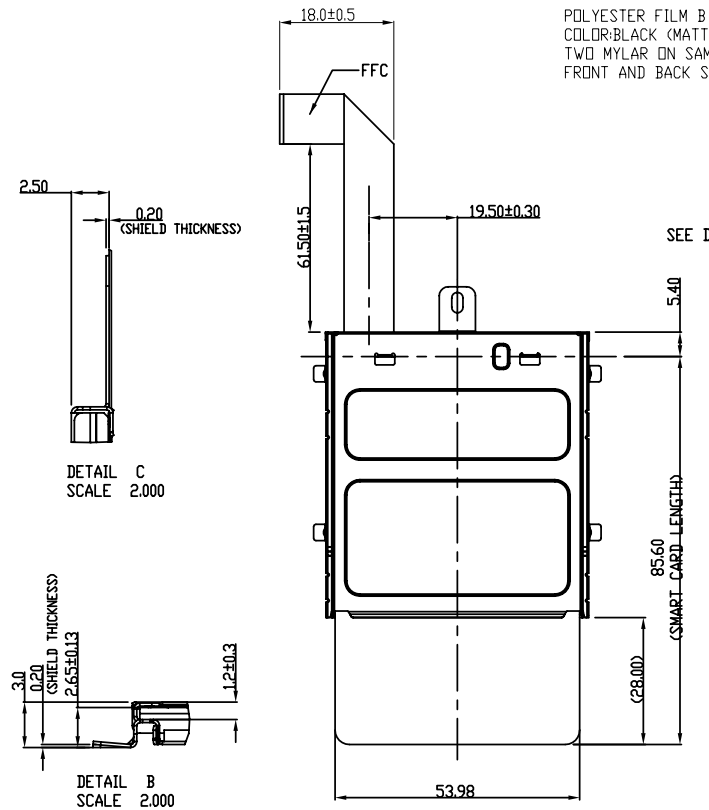
www.fciconnect.com	<input checked="" type="checkbox"/> tolerance	<input type="checkbox"/> projection 	<input type="checkbox"/> MM
Eng BENNY CHEN 08/04/05	Spec ref	ECN	
Chr PAUL WANG 09/02/05	Material		
Appr JOSEPH HSIA 09/02/05			
title	SMART CARD READER (FPC CABLE) ASSEMBLY		Rev. V
catalog no	dwg no 10010556	sheet 7 of	

PRODUCT NO
10010556-005LF

Tous droits strictement reserves. Reproduction ou communication a des tiers interdite sous quelque forme que ce soit sans autorisation ecrite du proprietaire. Propriete de c FCI. Droits de reproduction FCI.



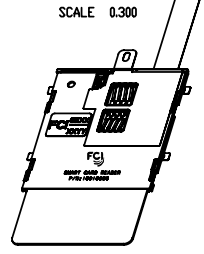
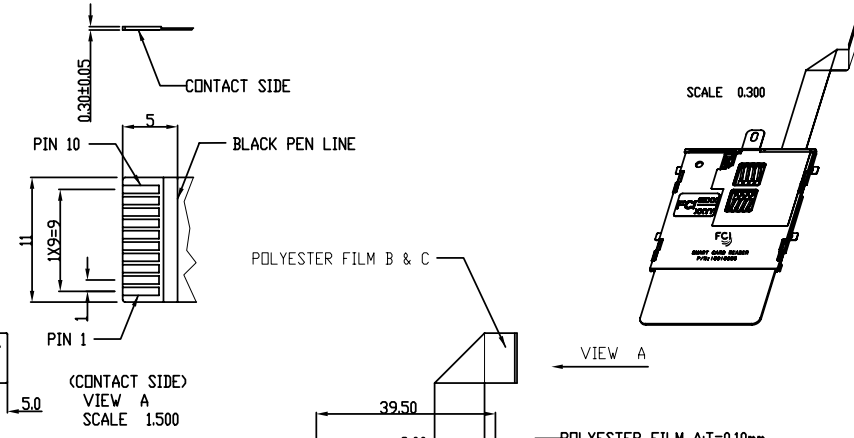
All rights strictly reserved. Reproduction or issue to third parties in any form whatever is not permitted without written authority from the proprietor. Property of FCI. Copyright FCI.



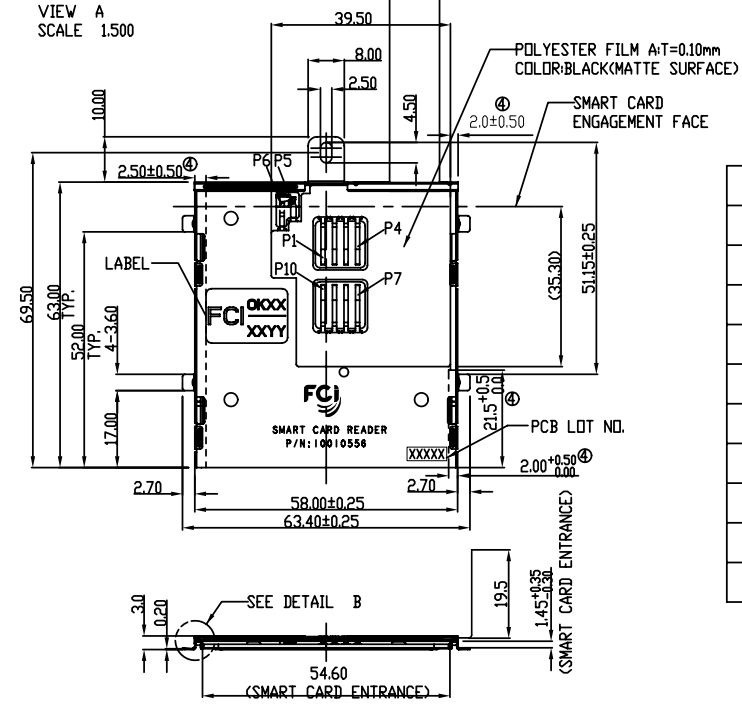
DETAIL C
SCALE 2.000

DETAIL B
SCALE 2.000

POLYESTER FILM B & C: T=0.10mm
COLOR: BLACK (MATTE SURFACE)
TWO MYLAR ON SAME POSITION:
FRONT AND BACK SURFACE OF FFC



VIEW A



10	RFU
9	I/O
8	Vpp
7	GND
6	Sensor 2
5	Sensor 1
4	Vcc
3	Reset
2	Clock
1	RFU
PIN NO.	ASSIGNMENT

TOLERANCE UNLESS OTHERWISE SPECIFIED	
LINEAR	X.X=±0.25 X.XX=±0.13 X.XXX=±0.050
ANGLE	±0°30'

NOTE:
1. Material:
METAL SHELL: STAINLESS STEEL, T=0.20mm
PCB: FR-4, T=0.80mm
TERMINAL: PHOSPHOR BRONZE.
PLATING SPEC AS BELOW:
ALL OVER NICKEL UNDERPLATING
GOLD PLATING ON CONTACT SURFACE.
MATTE TIN PLATING ON SOLDER TAIL.
FLEXIBLE FLAT CABLE: TOTAL LENGTH=103.5±2mm
PLATING SPEC AS BELOW:
CONTACT SURFACE: TIN PLATING.
SOLDER TAIL: TIN PLATING.
2. CARD DETECTION SWITCH NORMALLY OPEN WITHOUT MATING CARD
3. REFERENCE SPECIFICATION:
PRODUCT SPEC. GS 12-231
PACKING SPEC. GS 14-829
④ THE AREA IS PROHIBITED TO PASTE THE MYLAR AND LABEL.

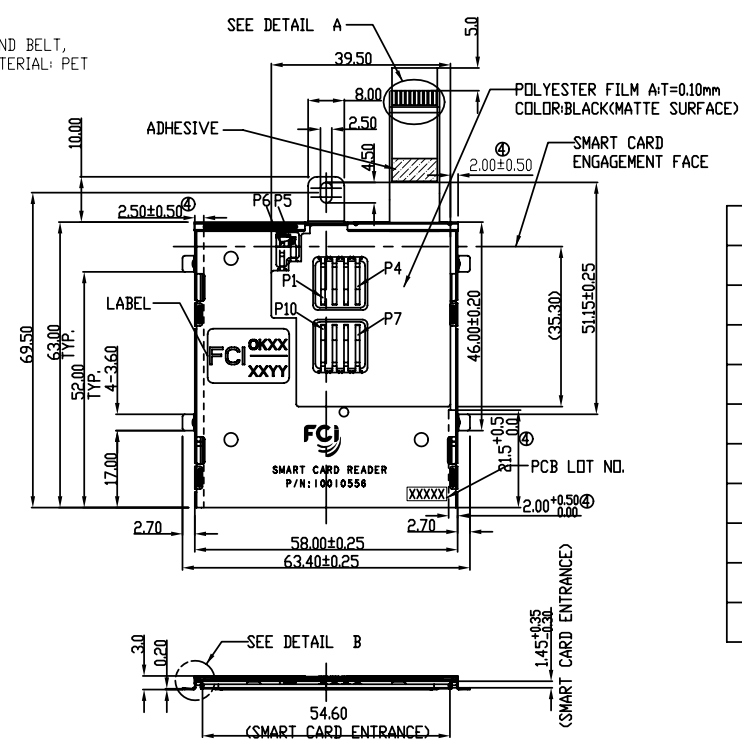
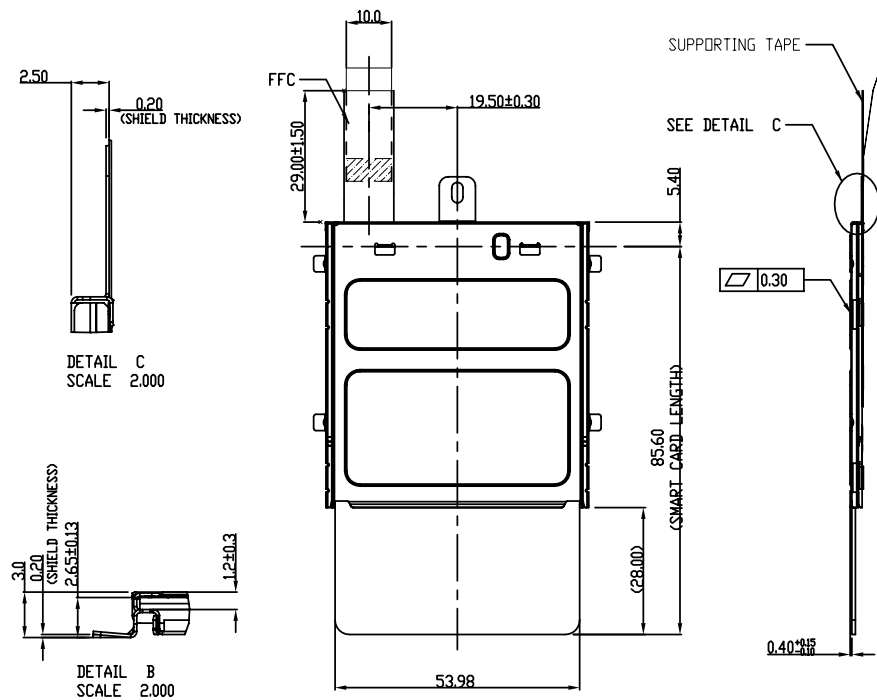
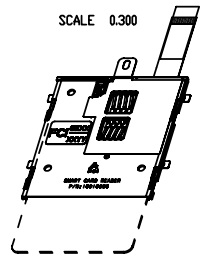
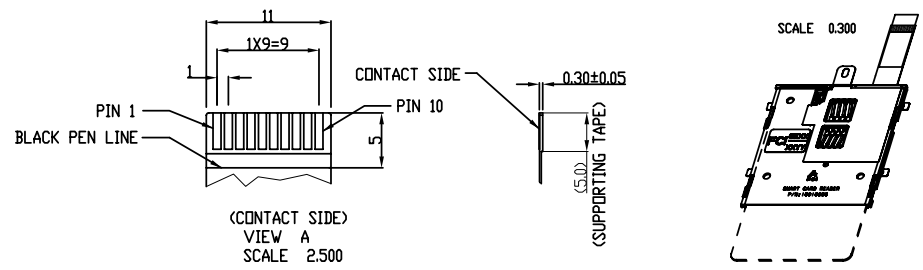
Mark with 10010556-004LF REV. in area indicated by X....		Material		Spec ref	
		Mat code		tolerance	projection
		Heat treat		✓	MM
		Plating/Finish		size	Scale
		Dr DANIEL TAO	07/05/07	A4	0.500
		Eng DANIEL TAO	07/05/07	Product family	
		Chr DANIEL TAO	07/05/07	Model Name	10010556-005LF
		Appr JOSEPH HSIA	07/05/07	Model Revision	ECN
				REL Level	
		FCI		title	ASSEMBLY
				dwg no	10010556
				Rev.	V
		Pro/E file		catalog no	
				CUSTOMER DRAWING	sheet 8 of

PRODUCT NO
10010556-008LF

Tous droits strictement reserves. Reproduction ou communication a des tiers interdite sous quelque forme que ce soit sans autorisation ecrite du proprietaire. Propriete de c FCI. Droits de reproduction FCI.



All rights strictly reserved. Reproduction or issue to third parties in any form whatever is not permitted without written authority from the proprietor. Property of FCI. Copyright FCI.



10	RFU
9	I/O
8	Vpp
7	GND
6	Sensor 2
5	Sensor 1
4	Vcc
3	Reset
2	Clock
1	RFU
PIN NO.	ASSIGNMENT

TOLERANCE UNLESS OTHERWISE SPECIFIED	
LINEAR	X.X=±0.5 X.XX=±0.3 X.XXX=±0.10
ANGLE	±0°30'

NOTE:
1. Material:
METAL SHELL: STAINLESS STEEL, T=0.20mm
PCB: FR-4, T=0.80mm
TERMINAL: PHOSPHOR BRONZE.
PLATING SPEC AS BELOW:
ALL OVER NICKEL UNDERPLATING
GOLD PLATING ON CONTACT SURFACE.
MATTE TIN PLATING ON SOLDER TAIL.
FLEXIBLE FLAT CABLE: TOTAL LENGTH=33.5±1mm
PLATING SPEC AS BELOW:
CONTACT SURFACE: TIN PLATING.
SOLDER TAIL: TIN PLATING.
2. CARD DETECTION SWITCH NORMALLY OPEN WITHOUT MATING CARD
3. REFERENCE SPECIFICATION:
PRODUCT SPEC. GS 12-231
PACKING SPEC. GS 14-829
④ THE AREA IS PROHIBITED TO PASTE THE MYLAR AND LABEL.

Mark with 10010556-004LF REV. in area indicated by X....		Material		Spec ref	
		Mat code		tolerance	projection
		Heattreat		✓	MM
		Plating/Finish			↔
rev	ecn no	dr	date	Dr	DANIEL TAO 07/05/07
V				Eng	DANIEL TAO 07/05/07
				chr	DANIEL TAO 07/05/07
				Appr	JOSEPH HSIA 07/05/07
		title		ASSEMBLY	
		Pro/E file		catalog no	
		title		SMART CARD READER	
		dwg no		10010556	
		CUSTDEMER DRAWING		sheet 9 of	

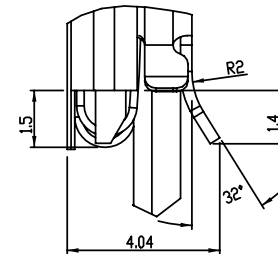
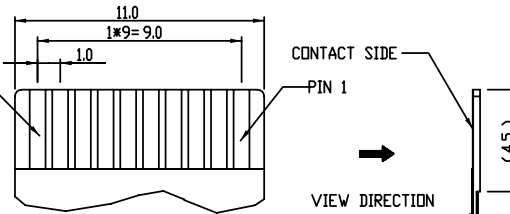
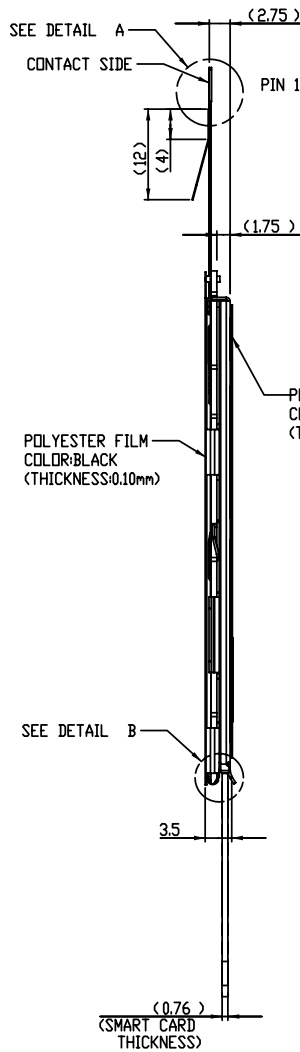
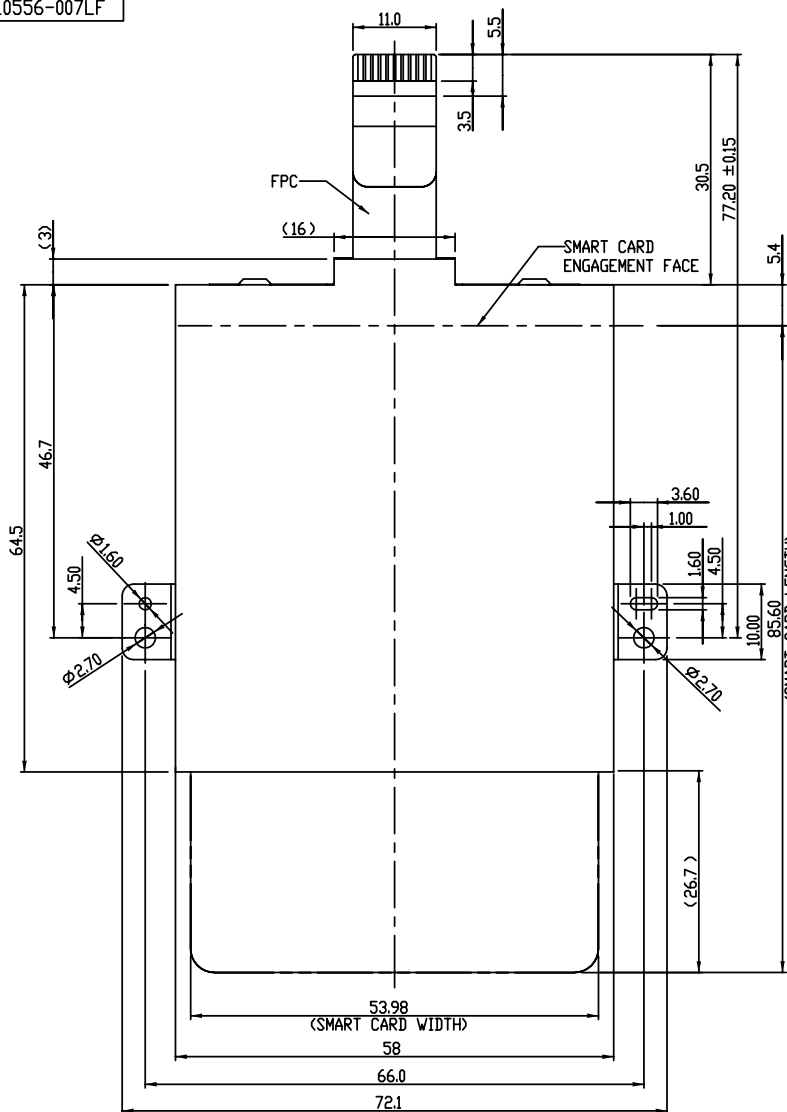
PART NUMBER
0010556-007LF

A

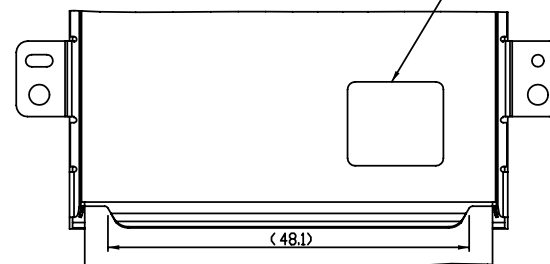
B

C

D



DETAIL B SCALE 5.000



NOTE:

- Material:
METAL SHELL: STAINLESS STEEL, T=0.30mm
GUIDE BLOCK: THERMOPLASTIC, UL94V-0.
PCB: FR-4, T=0.80mm, UL94V-0.
FPC: POLYIMIDE, T=0.30mm, UL94V-0.
PLATING SPEC AS BELOW:
UNDERPLATING: Ni 50 uin Min.
CONTACT SIDE PLATING: Au 3 uin, Min.
SOLDER SIDE PLATING: Pure Tin 100 uin Min.
TERMINAL: COPPER ALLOY.
PLATING SPEC AS BELOW:
UNDERPLATING: Ni 50 uin Min.
CONTACT PLATING: Au 30 uin Min.
SOLDER TAIL: Pure TIN 75 uin Min.
- CARD DETECTION SWITCH NORMALLY OPEN WITHOUT MATING CARD
- REFERENCE SPECIFICATION:
PRODUCT SPEC: GS-12-231.
PACKING SPEC: GS-14-829.

10	SENSOR 2
9	SENSOR 1
8	RFU
7	I/O
6	VPP
5	GND
4	RFU
3	CLOCK
2	RESET
1	VCC
PIN NO.	ASSIGNMENT

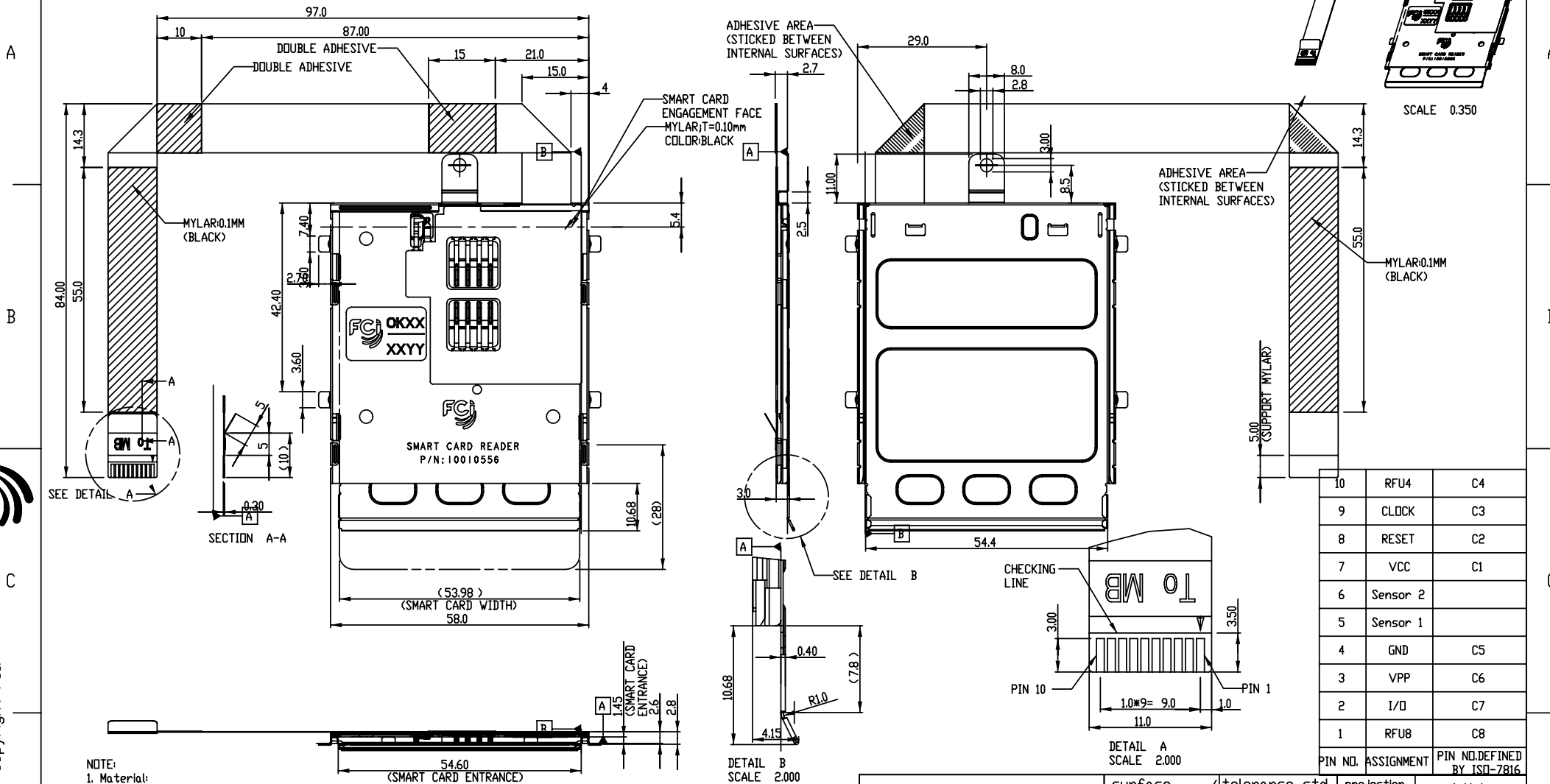
www.fciconnect.com		surface x	tolerance x	std x	projection	MM
		TOLERANCES UNLESS OTHERWISE SPECIFIED				
Dr	BENNY CHEN	07/23/07	ANGULAR	0.X	±0.25	size A4
Eng	BENNY CHEN	07/23/07	LINEAR	0.XX	±0.15	Scale 0.500
Chr	PAUL WANG	09/10/07	0° ±3°	0.XXX	±	ECN *
Appr	JOSEPH HSIA	09/11/07	Product family		Spec ref *	
FCI		title ASSEMBLY SMART CARD READER		dwg no 10010556		Rev. V
catalog no		*		CUSTOMER DRAWING		sheet 10 of

rev	ecn no	dr	date
M	N08-0024	BENNY	03/05/08
N	N08-0045	BENNY	05/05/08
V	-	-	-
-	-	-	-
-	-	-	-
-	-	-	-



Copyright FCI.

PART NUMBER
0010556-009LF



PIN NO.	ASSIGNMENT	PIN NO. DEFINED BY ISO-7816
10	RFU4	C4
9	CLOCK	C3
8	RESET	C2
7	VCC	C1
6	Sensor 2	
5	Sensor 1	
4	GND	C5
3	VPP	C6
2	I/O	C7
1	RFU8	C8

NOTE:

- Material:
 - METAL SHELL: STAINLESS STEEL, T=0.20mm
 - PCB: FR-4, T=0.80mm
 - TERMINAL: COPPER ALLOY.
 - PLATING SPEC AS BELOW:
 - ALL OVER NICKEL UNDERPLATING
 - GOLD PLATING ON CONTACT SURFACE.
 - MATTE TIN PLATING ON SOLDER TAIL.
 - FLEXIBLE FLAT CABLE: TOTAL LENGTH=33.5±1mm
 - PLATING SPEC AS BELOW:
 - CONTACT SURFACE: TIN PLATING.
 - SOLDER TAIL: TIN PLATING.
- CARD DETECTION SWITCH NORMALLY OPEN WITHOUT MATING CARD

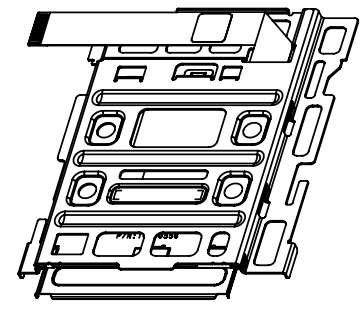
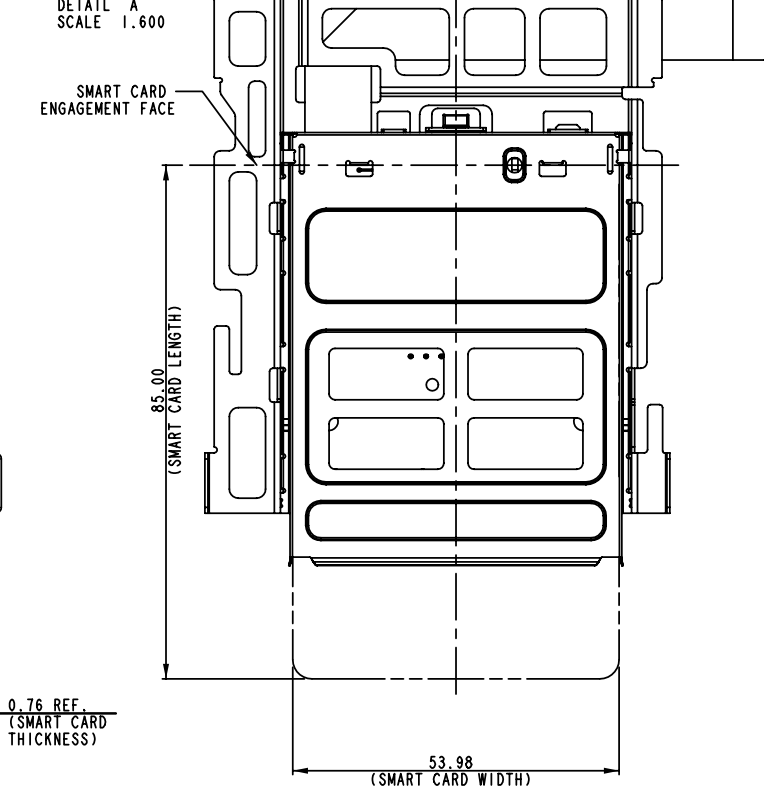
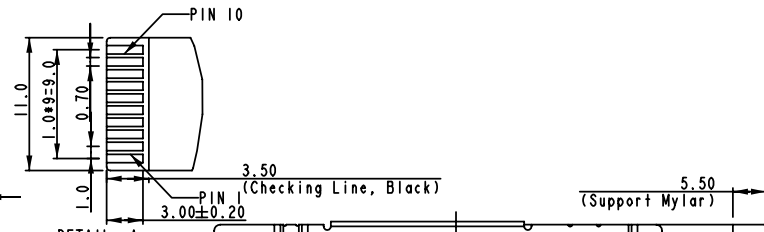
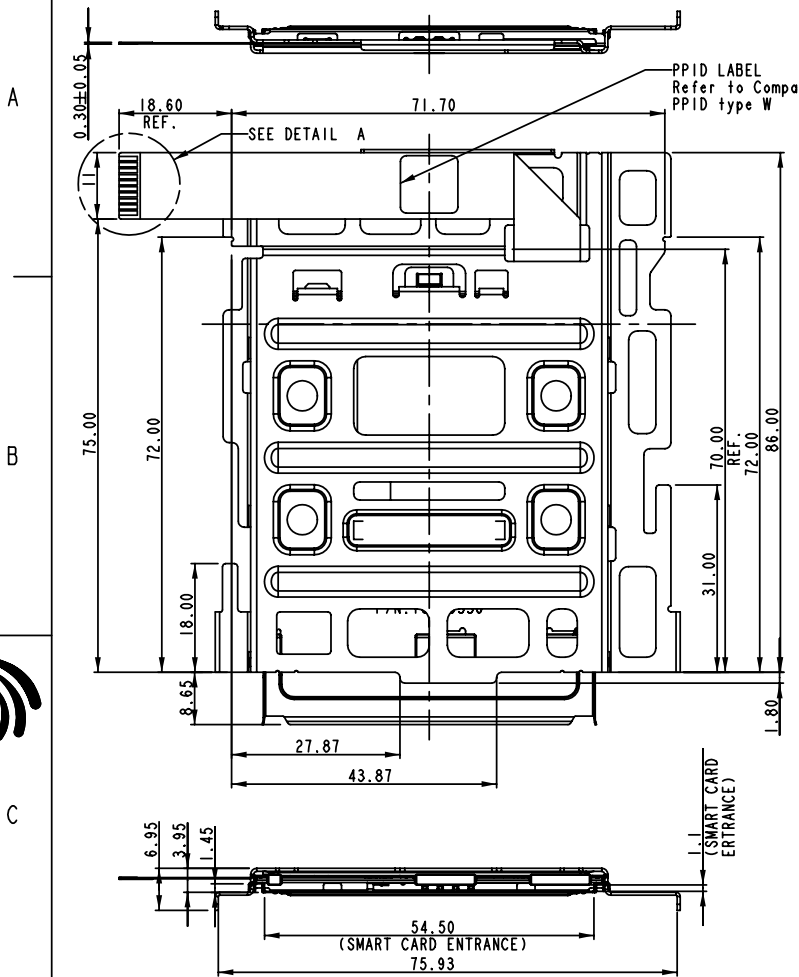
rev	ecn no	dr	date
P	N08-0093	SH	06/11/08
V	-	-	-
-	-	-	-
-	-	-	-
-	-	-	-
-	-	-	-

www.fciconnect.com		surface x	tolerance x	std x	projection	MM
		TOLERANCES UNLESS OTHERWISE SPECIFIED			⊕	↔
Dr	BENNY CHEN	10/24/07	ANGULAR	0.X	±0.4	size A4
Eng	BENNY CHEN	10/24/07	LINEAR	0.XX	±0.25	Scale 0.500
Chr	PAUL WANG	12/15/07	0° ±X'	0.XXX	±X	ECN *
Appr	JOSEPH HSIA	12/15/07	Product family		Spec ref	*
FCI		title ASSEMBLY SMART CARD READER		dwg no 10010556		Rev. V
catalog no		*		CUSTOMER DRAWING		sheet 11 of



Copyright FCI.

PART NUMBER
10010556-010LF



SCALE 0.500

10	VCC	C1
9	Reset	C2
8	Clock	C3
7	RFU4	C4
6	Gnd	C5
5	VPP	C6
4	I/O	C7
3	RFU8	C8
2	SENSOR 2	
1	SENSOR 1	
PIN NO.	ASSIGNMENT	PIN NO. DEFINED BY ISO-7816

NOTE:

- Material:
 - METAL SHELL: STAINLESS STEEL
 - BRACKET: STEEL
 - GUIDE BLOCK: THERMOPLASTIC, UL94V-0.
 - PCB: FR-4, T=0.80mm, UL94V-0.
 - FFC: POLYESTER, UL20624.
 - PLATING SPEC AS BELOW:
 - CONTACT SIDE PLATING: GOLD.
 - SOLDER SIDE PLATING: Pure Tin.
 - TERMINAL: COPPER ALLOY.
 - PLATING SPEC AS BELOW:
 - UNDERPLATING: NICKEL.
 - CONTACT PLATING: GOLD.
 - SOLDER TAIL: Pure TIN.
- CARD DETECTION SWITCH NORMALLY OPEN WITHOUT MATING CARD
- REFERENCE SPECIFICATION:
 - PRODUCT SPEC.: GS-12-231.
 - PACKING SPEC.: GS-14-829.

rev	ecn no	dr	date
P	N08-0093	SH	06/11/08
R	N08-0136	SH	07/01/08
S	N08-0212	SH	10/06/08
V	-	-	-
-	-	-	-
-	-	-	-
-	-	-	-

www.fciconnect.com		surface x	tolerance x	std x	projection ⊕	MM
		TOLERANCES UNLESS OTHERWISE SPECIFIED				
Dr	BENNY CHEN	02/05/08	ANGULAR	0.X	±0.3	size A4
Eng	BENNY CHEN	02/05/08	LINEAR	0.XX	±.20	Scale 1.000
Chr	PAUL WANG	02/13/08	0° ±X°	0.XXX	±X	ECN *
Appr	JOSEPH HSIA	02/15/08	Product family		Spec ref *	
FCI		title		ASSEMBLY		dwg no
				SMART CARD READER		10010556
		catalog no		* CUSTOMER DRAWING		Rev. V
				sheet 12 of		



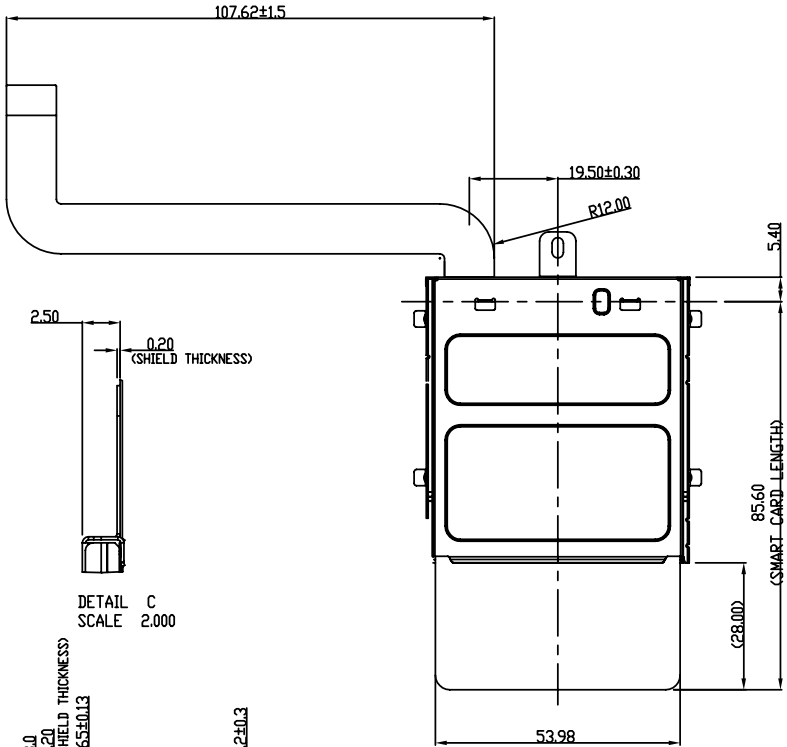
Copyright FCI.



Tous droits strictement reserves. Reproduction ou communication a des tiers interdite sous quelque forme que ce soit sans autorisation ecrite du propriétaire. Propriete de c FCI. Droits de reproduction FCI.

All rights strictly reserved. Reproduction or issue to third parties in any form whatever is not permitted without written authority from the proprietor. Property of FCI. Copyright FCI.

PRODUCT NO
10010556-011LF

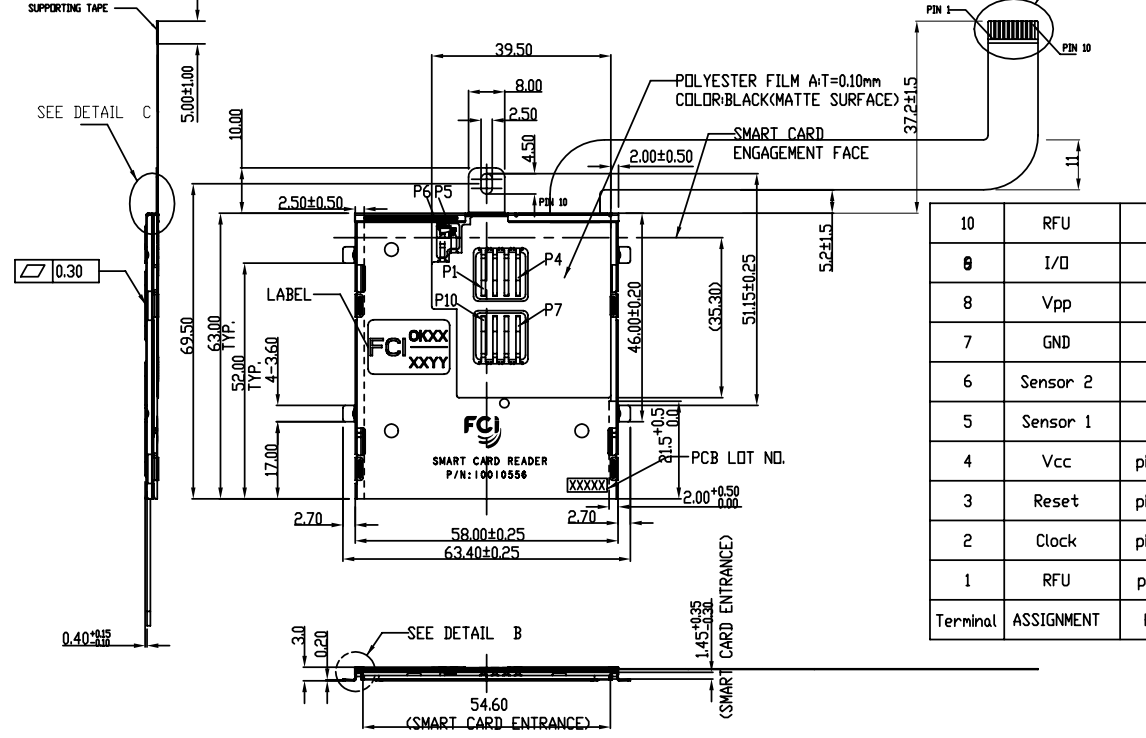
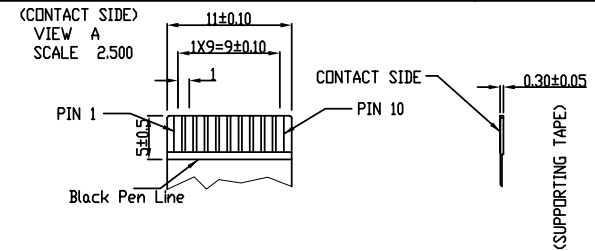


DETAIL C
SCALE 2.000

DETAIL B
SCALE 2.000

- NOTE:
- Material: METAL SHELL: STAINLESS STEEL, T=0.20mm
PCB: FR-4, T=0.80mm
TERMINAL: PHOSPHOR BRONZE.
PLATING SPEC AS BELOW:
ALL OVER NICKEL UNDERPLATING
GOLD PLATING ON CONTACT SURFACE.
MATTE TIN PLATING ON SOLDER TAIL.

FPC PLATING SPEC AS BELOW:
CONTACT SURFACE: GOLD FLASH.
SOLDER TAIL: TIN PLATING.
 - CARD DETECTION SWITCH NORMALLY OPEN WITHOUT MATING CARD
 - REFERENCE SPECIFICATION:
PRODUCT SPEC. GS 12-231
PACKING SPEC. GS 14-829
 - THE AREA IS PROHIBITED TO PASTE THE MYLAR AND LABEL.



10	RFU	10
9	I/O	9
8	Vpp	8
7	GND	7
6	Sensor 2	6
5	Sensor 1	5
4	Vcc	pin 4
3	Reset	pin 3
2	Clock	pin 2
1	RFU	pin 1
Terminal	ASSIGNMENT	FPC

TOLERANCE UNLESS OTHERWISE SPECIFIED			
LINEAR	X.X=±0.5		
	X.XX=±0.15		
	X.XXX=±0.050		
ANGLE	±0°30'		

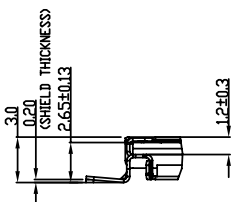
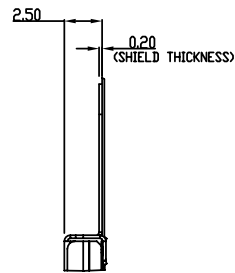
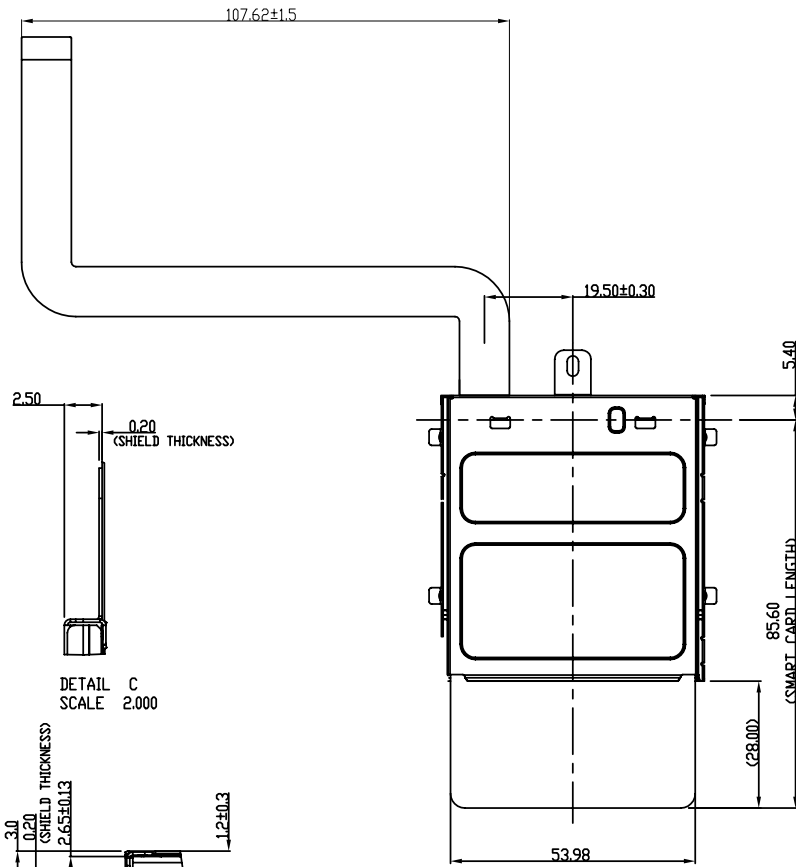
Mark with 10010556-004LF REV. in area indicated by X....				Material		Spec ref					
				Mat code		✓ tolerance		projection		MM	
				Heattreat				⊕		↔	
				Plating/Finish				size A4		Scale 0.500	
rev		ecn no		dr		date		Dr		MIAD SH 05/08/08	
N		N08-0045		SH		05/08/08		Eng		MIAD SH 05/08/08	
V								Chr		DANIEL TAO 05/08/08	
								Appr		JOSEPH HSIA 05/08/08	
										Product family	
										Model Name	
										Model Revision	
										REL Level	
								FCI		title ASSEMBLY SMART CARD READER	
								Pro/E file		catalog no	
								dwg no		10010556	
								Rev.		V	
								CUSTDEMER DRAWING		sheet 13 of	

Tous droits strictement réservés. Reproduction ou communication à des tiers interdite sous quelque forme que ce soit sans autorisation écrite du propriétaire. Propriété de c FCI. Droits de reproduction FCI.

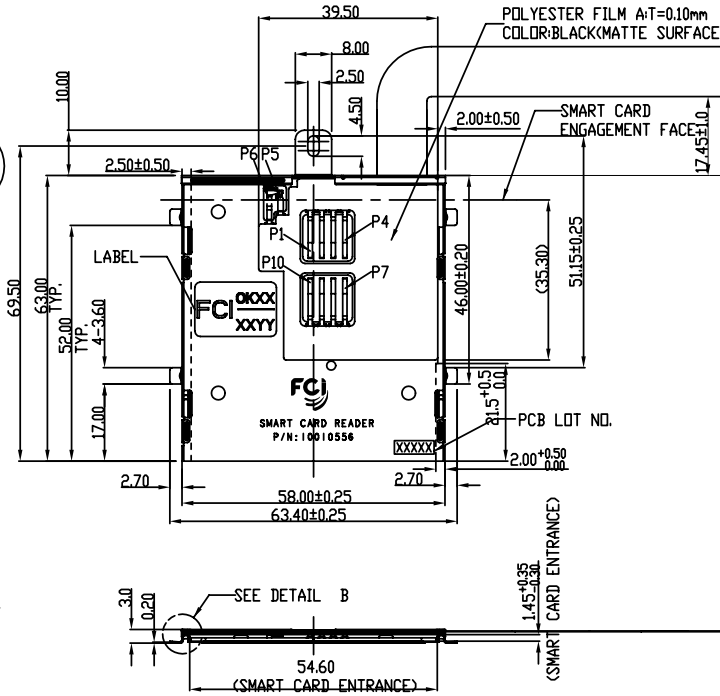
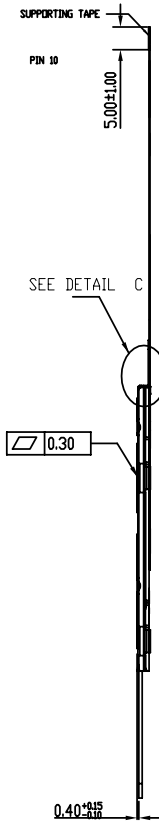
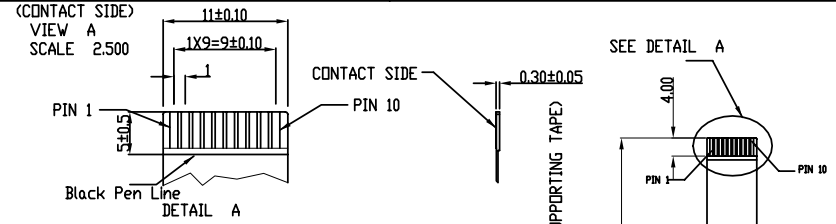


All rights strictly reserved. Reproduction or issue to third parties in any form whatever is not permitted without written authority from the proprietor. Property of FCI. Copyright FCI.

PRODUCT NO
10010556-012LF



NOTE:
1. Material:
METAL SHELL: STAINLESS STEEL, T=0.20mm
PCB: FR-4, T=0.80mm
TERMINAL: PHOSPHOR BRONZE.
PLATING SPEC AS BELOW:
ALL OVER NICKEL UNDERPLATING
GOLD PLATING ON CONTACT SURFACE.
MATTE TIN PLATING ON SOLDER TAIL.
FPC PLATING SPEC AS BELOW:
CONTACT SURFACE: GOLD FLASH.
SOLDER TAIL: TIN PLATING.
2. CARD DETECTION SWITCH NORMALLY OPEN WITHOUT MATING CARD
3. REFERENCE SPECIFICATION:
PRODUCT SPEC. GS 12-231
PACKING SPEC. GS 14-829
④ THE AREA IS PROHIBITED TO PASTE THE MYLAR AND LABEL.

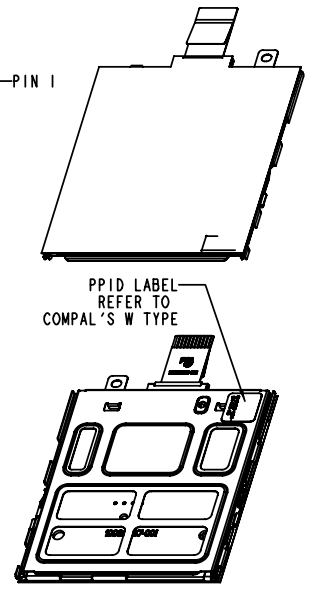
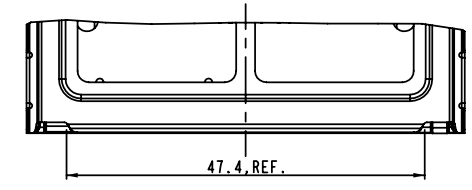
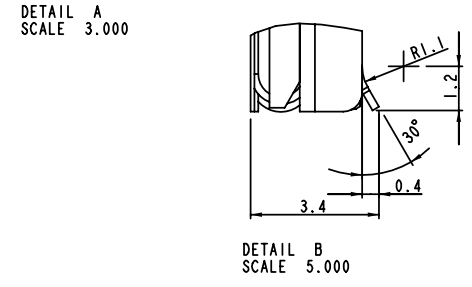
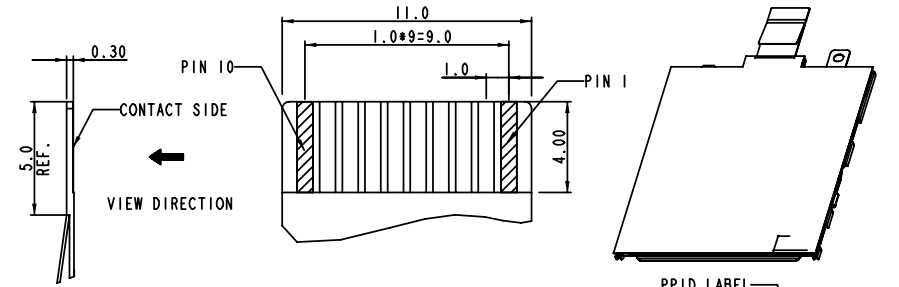
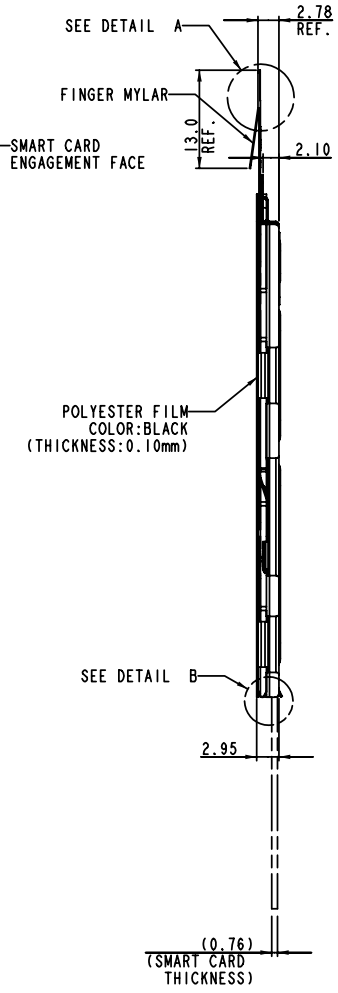
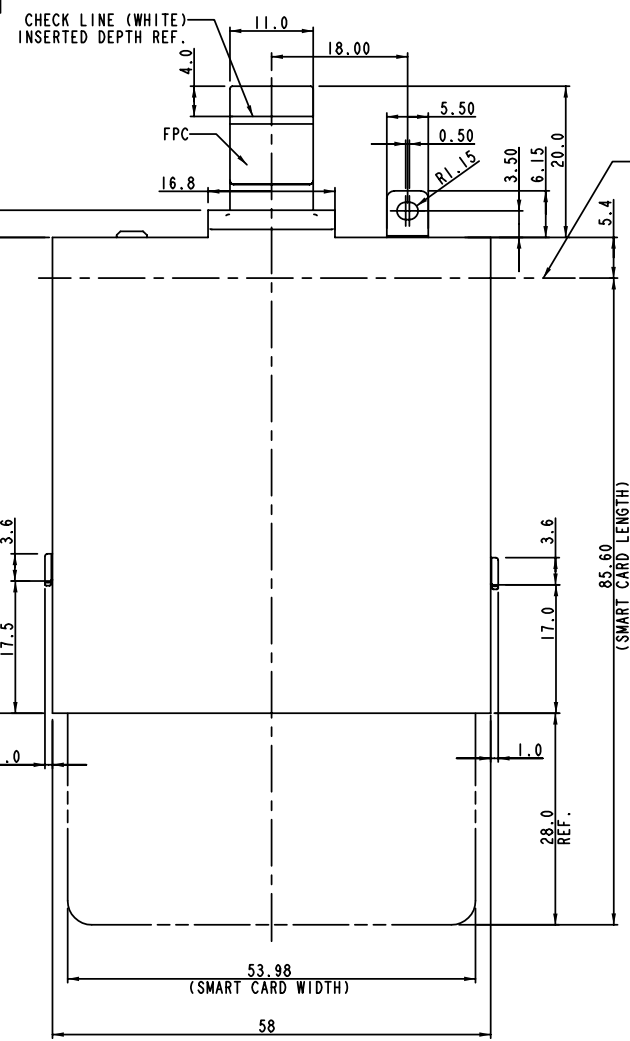


10	RFU	10
9	I/O	9
8	Vpp	8
7	GND	7
6	Sensor 2	6
5	Sensor 1	5
4	Vcc	4
3	Reset	3
2	Clock	2
1	RFU	1
Terminal	ASSIGNMENT	FPC

TOLERANCE UNLESS OTHERWISE SPECIFIED	
LINEAR	X.X=±0.5 X.XX=±0.15 X.XXX=±0.050
ANGLE	±0°30'

Mark with 10010556-004LF REV. In area indicated by X....				Material		Spec ref	
				Mat code		tolerance	
				Heat treat		projection	
				Plating/Finish		MM	
				Dr MIAD SH 05/08/08		size A4 Scale 0.500	
				Eng MIAD SH 05/08/08		Product family	
				Chr DANIEL TAO 05/08/08		Model Name 10010556-008LF	
				Appr JOSEPH HSIA 05/08/08		Model Revision	
						REL Level	
				FCI		title ASSEMBLY	
						dwg no 10010556	
						Rev. V	
				Pro/E file catalog no		CUSTOEMER DRAWING sheet 14 of	

PART NUMBER
10010556-013LF



NOTE:
1. Material:
METAL SHELL: STAINLESS STEEL, T=0.20mm
GUIDE BLOCK: THERMOPLASTIC, UL94V-0.
PCB: FR-4, T=0.80mm, UL94V-0.
FPC: POLYIMIDE, T=0.30mm, UL94V-0.
PLATING SPEC AS BELOW:
UNDERPLATING: Ni 50 uin Min.
CONTACT SIDE PLATING: Au 3 uin Min.
SOLDER SIDE PLATING: Pure Tin 100 uin Min.
TERMINAL: COPPER ALLOY.
PLATING SPEC AS BELOW:
UNDERPLATING: Ni 50 uin Min.
CONTACT PLATING: Au 30 uin Min.
SOLDER TAIL: Pure TIN 75 uin Min.
2. CARD DETECTION SWITCH NORMALLY OPEN WITHOUT MATING CARD
3. REFERENCE SPECIFICATION:
PRODUCT SPEC.: GS-12-231.
PACKING SPEC.: GS-14-829.

10	VCC	C 1
9	GND	C 5
8	RESET	C 2
7	VPP	C 6
6	CLOCK	C 3
5	I/O	C 7
4	RFU 4	C 4
3	RFU 8	C 8
2	SENSOR 2	
1	SENSOR 1	
PIN NO.	ASSIGNMENT	DEFINED BY ISO 7816



Copyright FCI.

rev	ecn no	dr	date
R	N08-0136	BENNY	05/08/08
S	N08-0212	SH	10/06/08
v	-	-	-
-	-	-	-
-	-	-	-
-	-	-	-

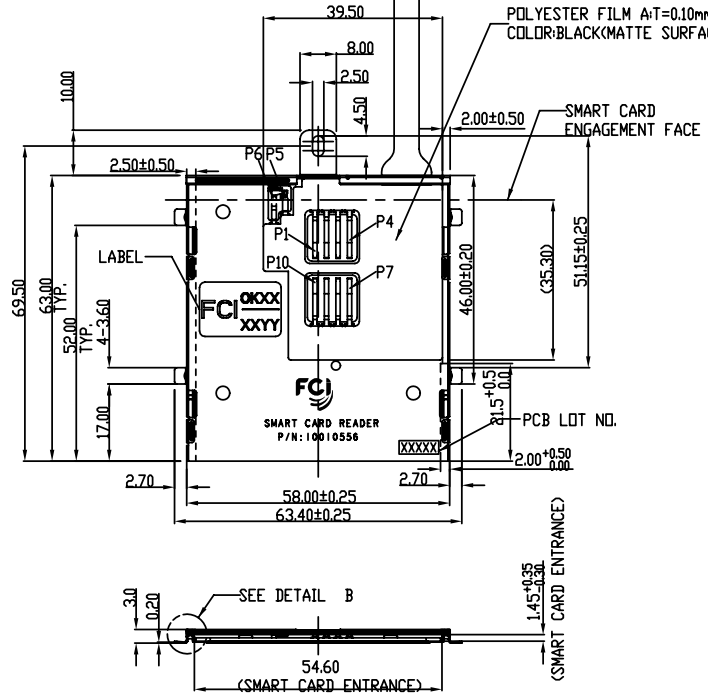
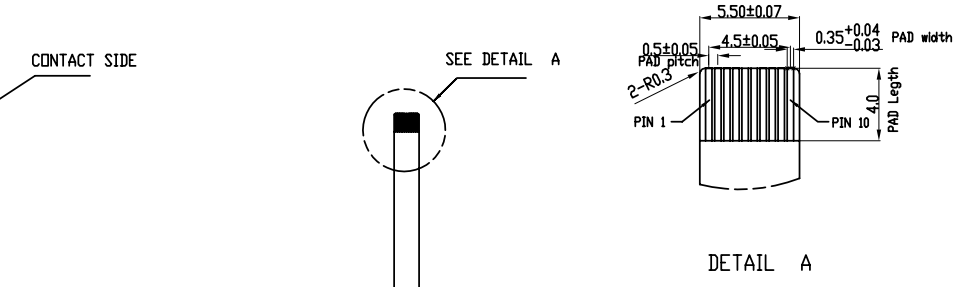
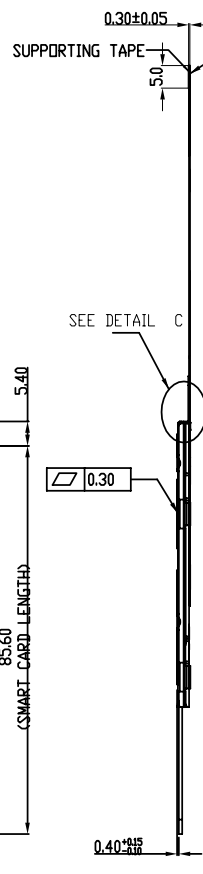
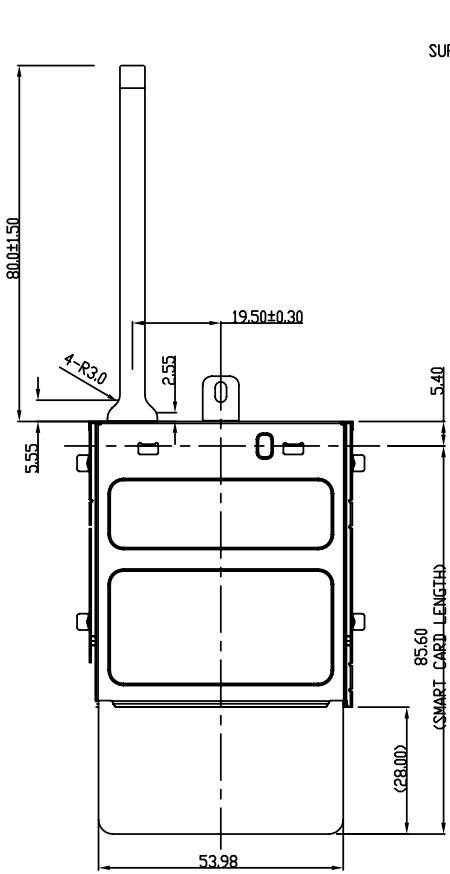
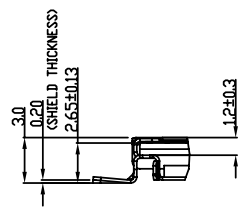
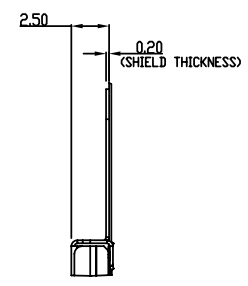
www.fciconnect.com		surface x	tolerance x	std x	projection	MM
		TOLERANCES UNLESS OTHERWISE SPECIFIED			⊕	←→
Dr	BENNY CHEN	05/08/08	ANGULAR	0.X	±0.25	size A4
Eng	BENNY CHEN	05/08/08	LINEAR	0.XX	±0.15	Scale 0.500
Chr	PAUL WANG	05/19/08	0° ±3°	0.XXX	±	ECN *
Appr	JOSEPH HSIA	06/16/08	Product family		Spec ref *	
FCI		title		dwg no		Rev.
		ASSEMBLY SMART CARD READER		10010556		v
		catalog no		* CUSTOMER DRAWING		sheet 15 of

Tous droits strictement reserves. Reproduction ou communication a des tiers interdite sous quelque forme que ce soit sans autorisation écrite du propriétaire. Propriete de c FCI. Droits de reproduction FCI.



All rights strictly reserved. Reproduction or issue to third parties in any form whatever is not permitted without written authority from the proprietor. Property of FCI. Copyright FCI.

PRODUCT NO 10010556-014LF	FPC 10086571-004
------------------------------	---------------------



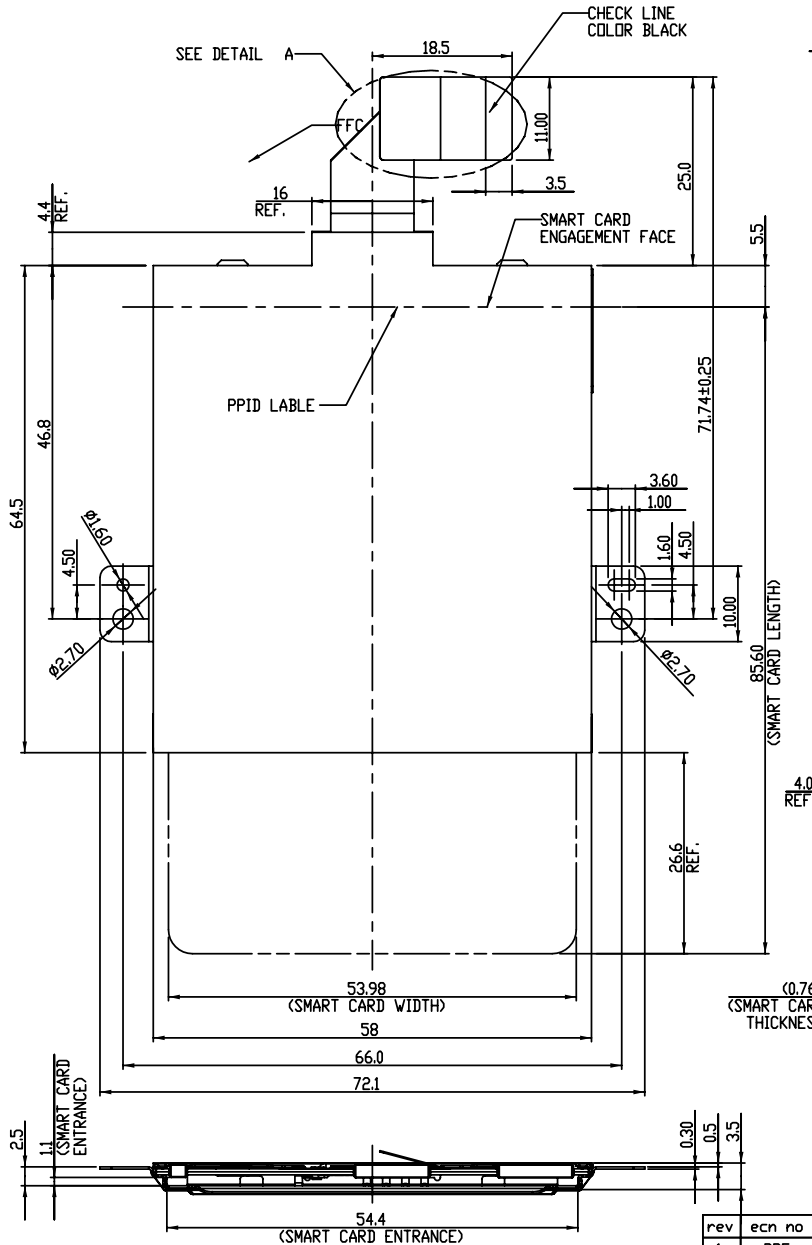
P10	RFU	10
P8	Vpp	9
P9	I/O	8
P7	GND	7
P5	Sensor 1	6
P4	Vcc	5
P3	Reset	4
P6	Sensor 2	3
P2	Clock	2
P1	RFU	1
Terminal	ASSIGNMENT	FPC

NOTE:
1. Material:
METAL SHELL: STAINLESS STEEL, T=0.20mm
PCB: FR-4, T=0.80mm
TERMINAL: PHOSPHOR BRONZE.
PLATING SPEC AS BELOW:
ALL OVER NICKEL UNDERPLATING
GOLD PLATING ON CONTACT SURFACE.
MATTE TIN PLATING ON SOLDER TAIL.
FPC PLATING SPEC AS BELOW:
CONTACT SURFACE: GOLD FLASH.
SOLDER TAIL: TIN PLATING.
2. CARD DETECTION SWITCH NORMALLY OPEN WITHOUT MATING CARD
3. REFERENCE SPECIFICATION:
PRODUCT SPEC. GS 12-231
PACKING SPEC. GS 14-829
④ THE AREA IS PROHIBITED TO PASTE THE MYLAR AND LABEL.
5. ALL PART SAME AS 10010556-011LF, EXCEPT FPC

TOLERANCE UNLESS OTHERWISE SPECIFIED	
LINEAR	X.X=±0.5 X.XX=±0.15 X.XXX=±0.050
ANGLE	±0°30'

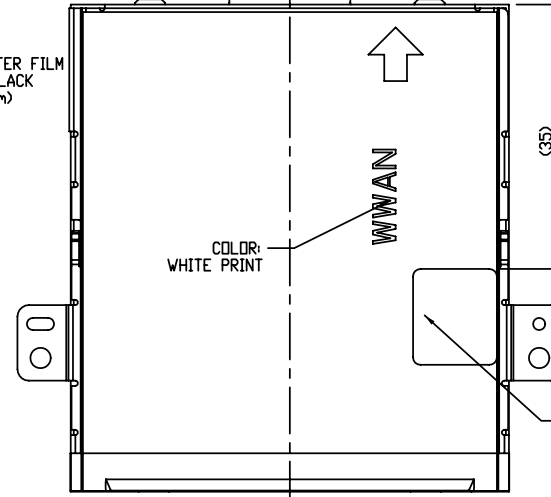
Mark with 10010556-014LF REV. in area indicated by X....	Material		Spec ref		
	Mat code		tolerance	projection	
	Heat treat		<input checked="" type="checkbox"/>	 MM	
	Plating/Finish				size
	Dr MIAD SH 05/08/08				A4
rev	ecn no	dr	date	Product family	Scale
N	N08-0045	SH	05/08/08	MIAD SH	0.500
P	N08-XXXX	SH	05/23/08	MIAD SH	
R	N08-0136	SH	07/07/08	MIAD SH	
				Product Name	ECN
				Model Revision	REL Level
FCI logo		title		dwg no	
ASSEMBLY		SMART CARD READER		10010556	
Pro/E file		catalog no		CUSTOMER DRAWING	
				sheet 16 of	

PART NUMBER
10010556-015LF

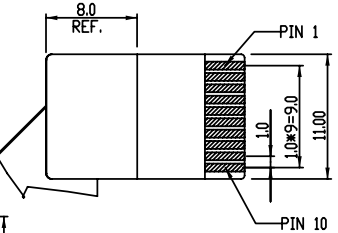


POLYESTER FILM
COLOR:BLACK
(T=0.10mm)

POLYESTER FILM
COLOR:BLACK
(T=0.10mm)



DETAIL A
SCALE 1.500



- NOTE:
- Material:
METAL SHELL:STAINLESS STEEL, T=0.30mm
GUIDE BLOCK:THERMOPLASTIC,UL94V-D.
PCB: FR-4, T=0.80mm, UL94V-0.
FFC: POLYESTER, T=0.30mm,UL20624, NO PRINTING.
PLATING SPEC AS BELOW:
CONTACT SIDE PLATING: Au 3 uin Min.
SOLDER SIDE PLATING: Pure Tin 100 uin Min.
TERMINAL: PHOSPHOR BRONZE.
PLATING SPEC AS BELOW:
UNDERPLATING: Ni 50 uin Min.
CONTACT PLATING: Au 30 uin Min.
SOLDER TAIL: Pure TIN 75 uin Min.
 - LEAD FREE AND ROHS COMPLIANT PRODUCT.
 - CARD DETECTION SWITCH NORMALLY OPEN WITHOUT MATING CARD.
 - REFERENCE SPECIFICATION:
PRODUCT SPEC:GS-12-231.
PACKING SPEC:GS-14-829.

PIN NO.	ASSIGNMENT
10	SENSDR 2
9	SENSDR 1
8	RFU8
7	I/O
6	VPP
5	GND
4	RFU4
3	CLOCK
2	RESET
1	VCC

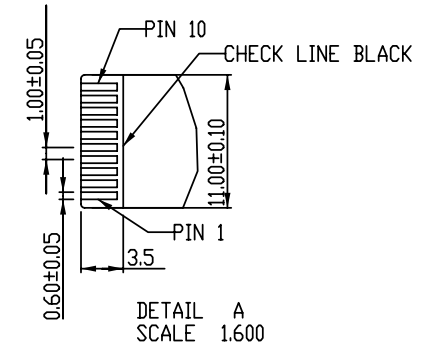
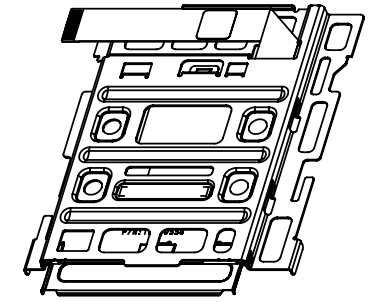
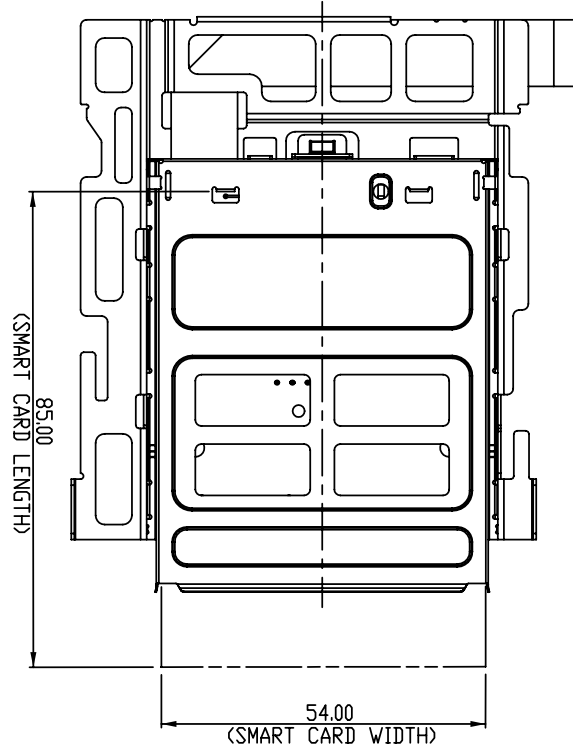
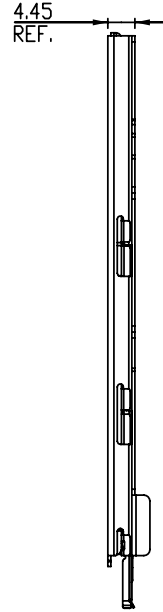
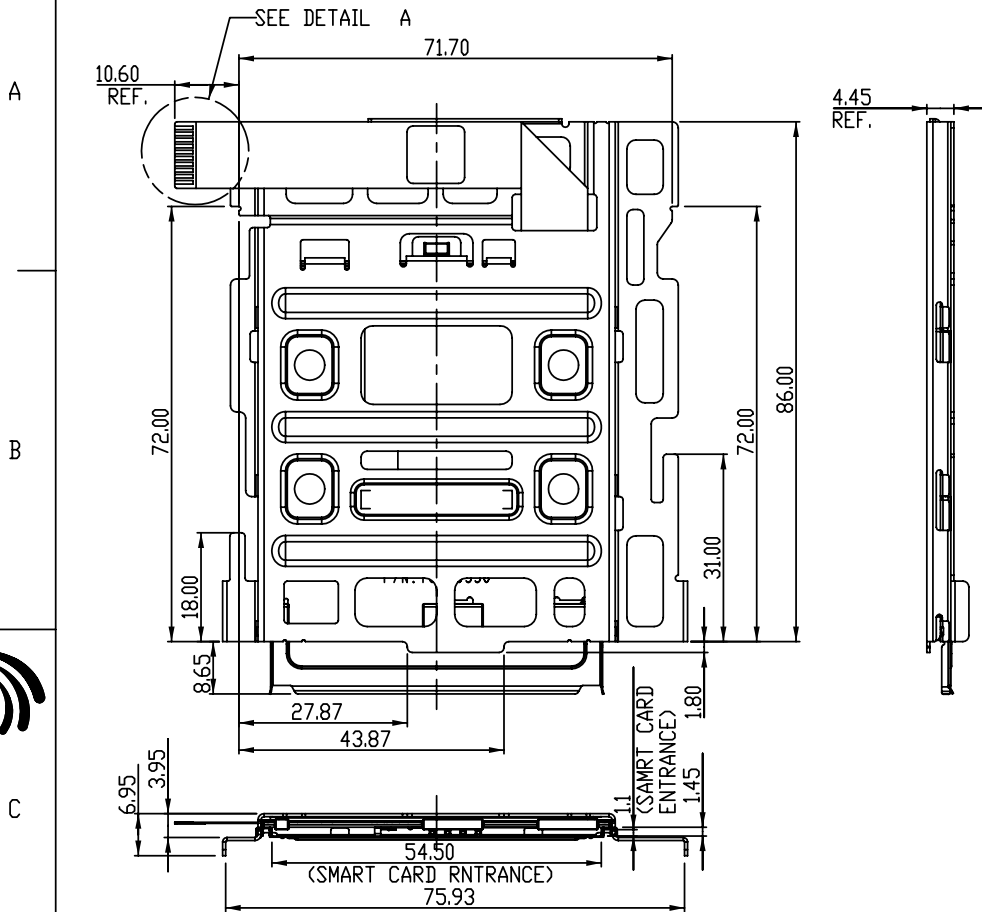
www.fciconnect.com		surface x	tolerance x	std x	projection	MM
		TOLERANCES UNLESS OTHERWISE SPECIFIED				
Dr	BENNY CHEN	04/15/09	ANGULAR	0.X	±0.25	size A4
Eng	BENNY CHEN	04/15/09	LINEAR	0.XX	±0.15	Scale 0.500
Chr	PAUL WANG	04/18/09	0° ±3°	0.XXX	±	ECN *
Appr	JOSEPH HSIA	04/20/09	Product family	Spec ref *		
		title		dwg no		Rev.
		ASSEMBLY		10010556		V
		SMART CARD READER		* CUSTOMER DRAWING		sheet 17 of
		catalog no				

rev	ecn no	dr	date
1	PRE	SH	03/31/09
2	PRE	BENNY	04/15/09
3	PRE	BENNY	07/31/09
T	N09-0224	SH	08/19/09
-	-	-	-
-	-	-	-
-	-	-	-



Copyright FCI.

PRODUCT NO.
10010556-016LF



10	VCC	C1
9	RESET	C2
8	CLOCK	C3
7	RFU 4	C4
6	GND	C5
5	VPP	C6
4	I/O	C7
3	RFU 8	C8
2	SENSOR 2	
1	SENSOR 1	
PIN NO.	ASSIGNMENT	PIN NO. DEFINED BY ISO-7816

NOTE:
1. Material:
METAL SHELL: STAINLESS STEEL
BRACKET: STEEL
GUIDE BLOCK: THERMOPLASTIC, UL94V-0.
PCB: FR-4, T=0.80mm, UL94V-0.
FFC: POLYESTER, UL20624.
PLATING SPEC AS BELOW:
CONTACT SIDE PLATING: GOLD.
SOLDER SIDE PLATING: Pure Tin.
TERMINAL: COPPER ALLOY.
PLATING SPEC AS BELOW:
UNDERPLATING: NICKEL.
CONTACT PLATING: GOLD.
SOLDER TAIL: Pure TIN.
2. CARD DETECTION SWITCH NORMALLY OPEN WITHOUT MATING CARD
3. REFERENCE SPECIFICATION:
PRODUCT SPEC: GS-12-231.
PACKING SPEC: GS-14-829.

rev	ecn no	dr	date
V	-	-	-
-	-	-	-
-	-	-	-
-	-	-	-
-	-	-	-
-	-	-	-

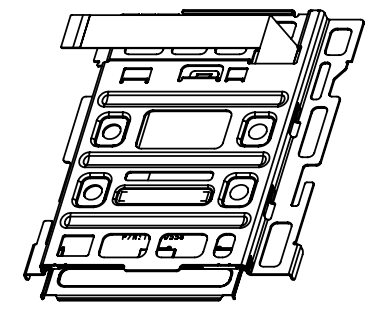
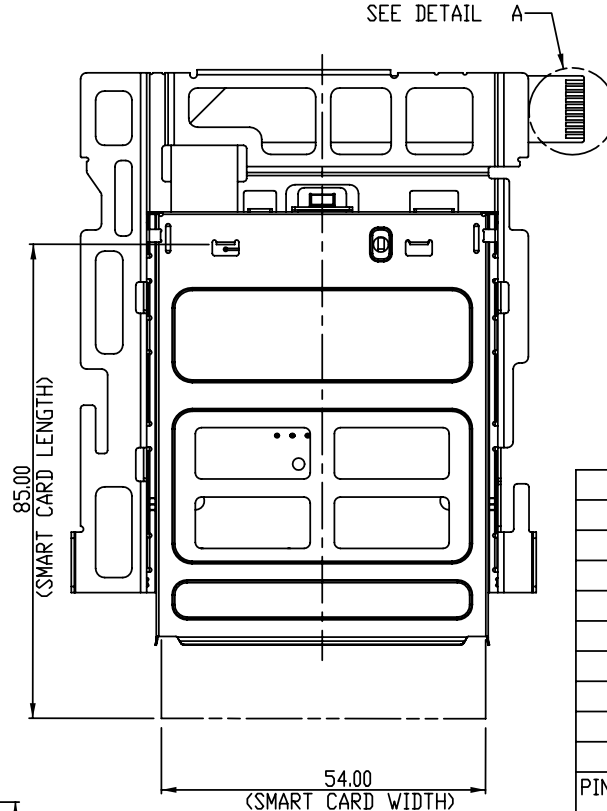
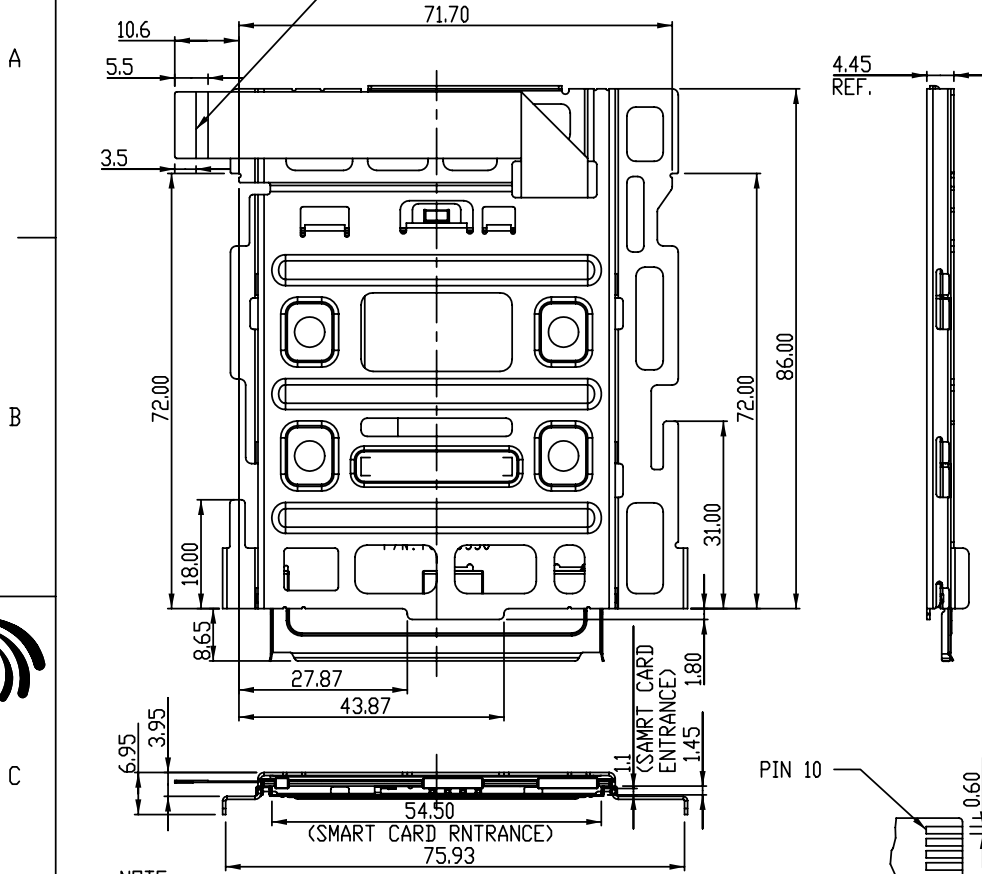
www.fciconnect.com		surface <input checked="" type="checkbox"/>	tolerance std	projection	
		TOLERANCES UNLESS OTHERWISE SPECIFIED			
Dr	MIAD SH	04/14/09	ANGULAR	0.X	±0.3
Eng	MIAD SH	04/14/09	LINEAR	0.XX	±0.2
Chr	TAD DANIEL	04/14/09	0° ±2°	0.XXX	±0.1
Appr	TAD DANIEL	04/14/09	Product family	-	Spec ref
		title SMART CARD READER		dwg no	10010556
		catalog no		-	CUSTOMER DRAWING
				Rev.	V
				sheet	18 of



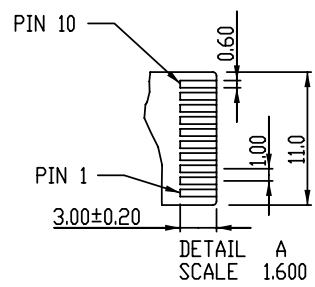
Copyright FCI.

PRODUCT NO.
10010556-017LF

CHECK LINE
COLOR BLACK



10	VCC	C1
9	RESET	C2
8	CLOCK	C3
7	RFU 4	C4
6	GND	C5
5	VPP	C6
4	I/O	C7
3	RFU 8	C8
2	SENSOR 2	
1	SENSOR 1	
PIN NO.	ASSIGNMENT	PIN NO. DEFINED BY ISO-7816



NOTE:

1. Material:

METAL SHELL: STAINLESS STEEL
 BRACKET: STEEL
 GUIDE BLOCK: THERMOPLASTIC, UL94V-0
 PCB: FR-4, T=0.80mm, UL94V-0
 FFC: POLYESTER, UL20624
 PLATING SPEC AS BELOW:
 CONTACT SIDE PLATING: GOLD FLASH 0.076um MIN.
 SOLDER SIDE PLATING: MATTE Tin.
 TERMINAL: COPPER ALLOY.

PLATING SPEC AS BELOW:
 UNDERPLATING: NICKEL
 CONTACT PLATING: GOLD 0.76um MIN.
 SOLDER TAIL: MATTE TIN.

2. CARD DETECTION SWITCH NORMALLY OPEN WITHOUT MATING CARD
 3. REFERENCE SPECIFICATION:
 PRODUCT SPEC: GS-12-231.
 PACKING SPEC: GS-14-829.

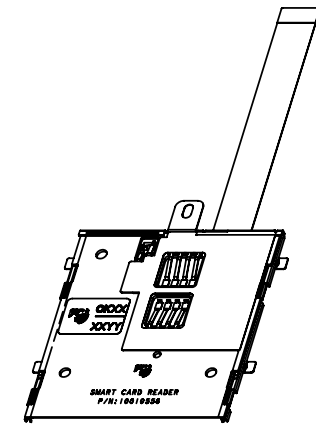
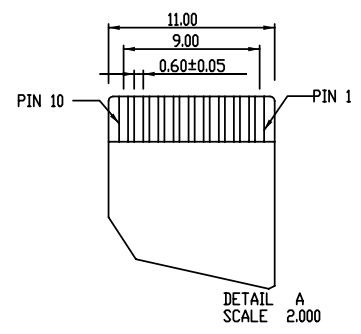
rev	ecn no	dr	date
1	N09-XXXX	SH	04/14/09
2	-	SH	07/16/09
V	-	-	-
-	-	-	-
-	-	-	-
-	-	-	-

www.fciconnect.com			surface - ✓	tolerance std	projection	
			TOLERANCES UNLESS OTHERWISE SPECIFIED		↔	
Dr	MIAD SH	04/14/09	ANGULAR	LINEAR	0.X	±0.3
Eng	MIAD SH	04/14/09			0.XX	±0.2
Chr	TAD DANIEL	04/14/09	0°	±2°	0.XXX	±0.1
Appr	TAD DANIEL	04/14/09	Product family		-	Spec ref
FCI			title		SMART CARD READER	
			catalog no		- CUSTOMER DRAWING	
			dwg no		10010556	
			Rev.		V	



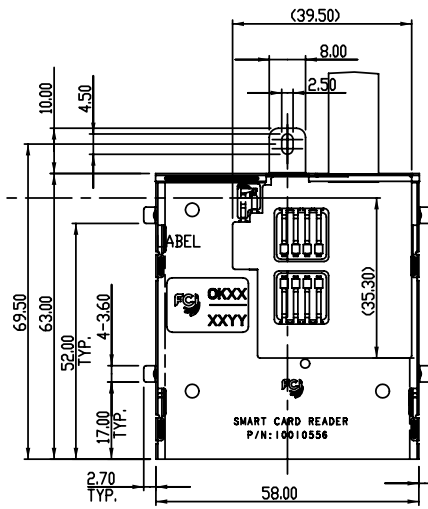
Copyright FCI.

PRODUCT NO
10010556-018LF



DETAIL A
SCALE 2.000

10	RFU
9	I/O
8	Vpp
7	GND
6	Sensor 2
5	Sensor 1
4	Vcc
3	Reset
2	Clock
1	RFU
PIN NO.	ASSIGNMENT

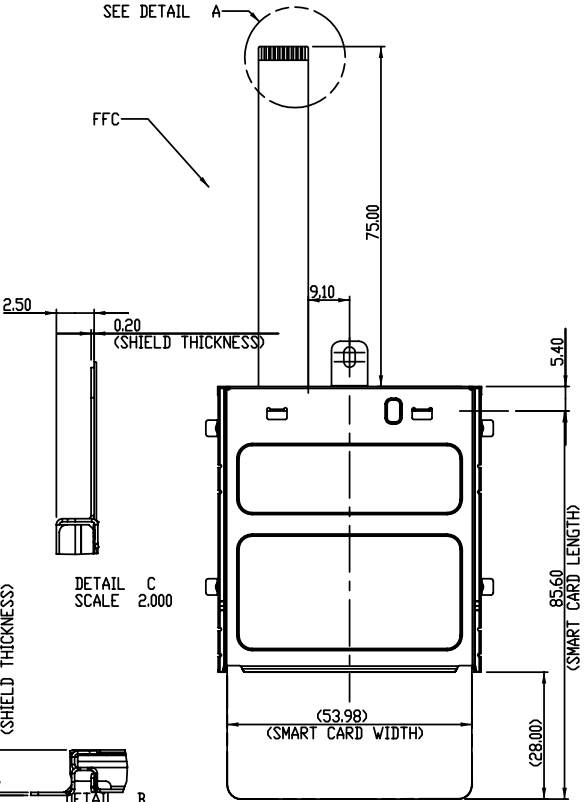


TOLERANCE UNLESS OTHERWISE SPECIFIED	
LINEAR	X.X=±0.8 X.XX=±0.3 X.XXX=±0.13
ANGLE	±3°

SEE DETAIL A

FFC

SEE DETAIL C



DETAIL C
SCALE 2.000

DETAIL B
SCALE 2.000

NOTE:
1. Material:
METAL SHELL: STAINLESS STEEL, T=0.20mm
PCB: FR-4, T=0.80mm
TERMINAL: PHOSPHOR BRONZE.
PLATING SPEC AS BELOW:
ALL OVER NICKEL UNDERPLATING
GOLD PLATING ON CONTACT SURFACE.
MATTE TIN PLATING ON SOLDER TAIL.
FLEXIBLE FLAT CABLE: TOTAL LENGTH=124±2mm
PLATING SPEC AS BELOW:
CONTACT SURFACE: TIN PLATING.
SOLDER TAIL: TIN PLATING.
2. CARD DETECTION SWITCH NORMALLY OPEN WITHOUT MATING CARD
3. REFERENCE SPECIFICATION:
PRODUCT SPEC. GS 12-231
PACKING SPEC. GS 14-829

rev	ecn no	dr	date
1	-	SH	09/25/09
V	-	-	-
-	-	-	-
-	-	-	-
-	-	-	-
-	-	-	-

www.fciconnect.com			surface	<input checked="" type="checkbox"/>	tolerance std	projection		
			TOLERANCES UNLESS OTHERWISE SPECIFIED			↻ ↔		
Dr	MIAD SH	09/25/09	ANGULAR	LINEAR	0.X ±0.8 0.XX ±0.25 0.XXX ±0.13	size	A4	Scale 0.500
Eng	MIAD SH	09/25/09	0°	±°		ECN		
Chr	TAD DANIEL	09/25/09	Product family			Spec ref		
Appr								
FCI		title	SMART CARD READER			dwg no	10010556	Rev. V
		catalog no				sheet 20 of		



Copyright FCI.