

**PLEASE CHECK WWW.MOLEX.COM FOR LATEST PART INFORMATION**

**Part Number:** [0351550204](#)  
**Status:** **Active**  
**Description:** 2.50mm (.098") Pitch Wire-to-Board Housing, Positive Lock, Blue, 2 Circuits

**Documents:**

|  |  |
|--|--|
| <a href="#">3D Model</a>                                 | <a href="#">Product Specification PS-35155-002 (PDF)</a> |
| <a href="#">Drawing (PDF)</a>                            | <a href="#">Product Specification PS-68143-001 (PDF)</a> |
| <a href="#">Product Specification PS-35155-001 (PDF)</a> | <a href="#">RoHS Certificate of Compliance (PDF)</a>     |

**Agency Certification**

|     |           |
|-----|-----------|
| CSA | LR19980   |
| TUV | R72081037 |
| UL  | E29179    |

**General**

|                |                       |
|----------------|-----------------------|
| Product Family | Crimp Housings        |
| Series         | <a href="#">35155</a> |
| Product Name   | N/A                   |

**Physical**

|                               |                 |
|-------------------------------|-----------------|
| Breakaway                     | No              |
| Circuits (maximum)            | 2               |
| Flammability                  | 94V-0           |
| Gender                        | Female          |
| Glow-Wire Compliant           | No              |
| Keying to Mating Part         | None            |
| Lock to Mating Part           | Yes             |
| Number of Rows                | 1               |
| Packaging Type                | Bag             |
| Panel Mount                   | No              |
| Pitch - Mating Interface (in) | 0.098 In        |
| Pitch - Mating Interface (mm) | 2.50 mm         |
| Temperature Range - Operating | -40°C to +105°C |

**Material Info**

**Reference - Drawing Numbers**

|                       |  |
|-----------------------|--|
| Product Specification | PS-35155-001, PS-35155-002, PS-68143-001 |
| Sales Drawing         | SD-35155-**0*                            |



**EU RoHS** **China RoHS**

**Compliance Status**

**Not Reviewed**

**REACH SVHC**

Not Reviewed

**Halogen-Free**

**Status**

**Not Halogen-Free**

**Need more information on product environmental compliance?**

Email [productcompliance@molex.com](mailto:productcompliance@molex.com)  
 For a multiple part number RoHS Certificate of Compliance, [click here](#)

Please visit the [Contact Us](#) section for any non-product compliance questions.

**Search Parts in this Series**

[35155Series](#)

**Mates With**

[35312](#) Vertical Shrouded Header, [35184](#) Wire-to-Wire Plug Housing

**Use With**

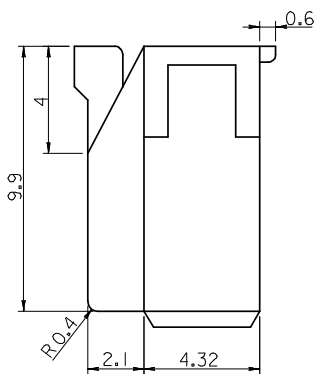
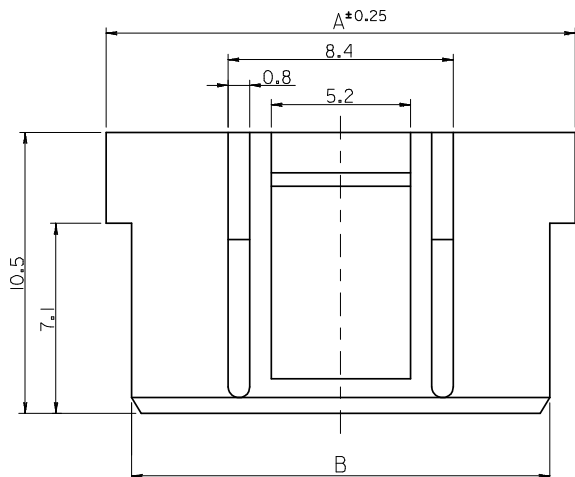
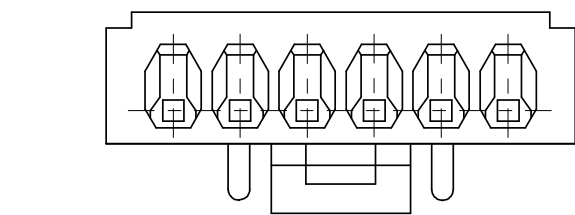
[5103](#) SPOX™ Crimp Terminal

NOTE

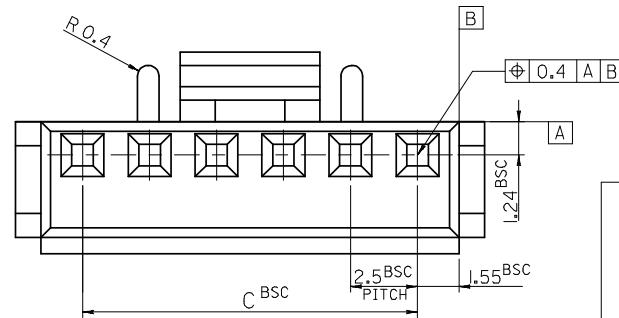
- 1. MATERIAL : SEE TABLE
- 2. USED WITH TERMINAL : 5103-\*
- 3. MATED WITH WAFER ASS'Y : 35312-\*\*\*1\*

LEGEND

35155 - \*\* \*  
 COLOR : 0 --- NATURAL  
 1 --- BLACK  
 2 --- RED  
 3 --- YELLOW  
 4 --- BLUE  
 0 : PBT / 9 : PBT/PC  
 CKT (02,03,04 ...)



|      |      |      |              |            |      |
|------|------|------|--------------|------------|------|
| 35   | 38.1 | 40   | 35155151*    | 35155-15** | 15   |
| 32.5 | 35.6 | 37.5 | 14**         | -14**      | 14   |
| 30   | 33.1 | 35   | 13**         | -13**      | 13   |
| 27.5 | 30.6 | 32.5 | 12**         | -12**      | 12   |
| 25   | 28.1 | 30   | 11**         | -11**      | 11   |
| 22.5 | 25.6 | 27.5 | 10**         | -10**      | 10   |
| 20   | 23.1 | 25   | 09**         | -09**      | 9    |
| 17.5 | 20.6 | 22.5 | 08**         | -08**      | 8    |
| 15   | 18.1 | 20   | 07**         | -07**      | 7    |
| 12.5 | 15.6 | 17.5 | 06**         | -06**      | 6    |
| 10   | 13.1 | 15   | 05**         | -05**      | 5    |
| 7.5  | 10.6 | 12.5 | 04**         | -04**      | 4    |
| 5    | 8.1  | 10   | 03**         | -03**      | 3    |
| 2.5  | 5.6  | 7.5  | 3515502**    | 35155-020* | 2    |
| C    | B    | A    | MATERIAL NO. | ENG NO.    | CKT. |



|                   |                     |            |
|-------------------|---------------------|------------|
| REVISED           | EC NO: KOR2008-0103 | 2007/12/24 |
| DRWN: SKHAN01     | 2007/12/24          |            |
| CHKD: WY. YANG    | 2007/12/24          |            |
| APPR: YUNS IKK IM | 2007/12/24          |            |
| REV               | DESCRIPTION         |            |

|                 |  |
|-----------------|--|
| QUALITY SYMBOLS | GENERAL TOLERANCES (UNLESS SPECIFIED)                |
| ▽=0             | 4 PLACES ± --- ± ---                                 |
| ▽=0             | 3 PLACES ± --- ± ---                                 |
|                 | 2 PLACES ± --- ± ---                                 |
|                 | 1 PLACE ± 0.1 ± ---                                  |
|                 | ANGULAR ± 1°   |
|                 | DRAFT WHERE APPLICABLE MUST REMAIN WITHIN DIMENSIONS |

|                 |              |   |                        |
|-----------------|--------------|---|------------------------|
| DIMENSION STYLE | SCALE        | DESIGN UNITS  | THIRD ANGLE PROJECTION |
| IN/MM           | 5:1          | METRIC  |                        |
| DRAWN BY        | DATE         | TITLE   |                        |
| SK. HAN         | 2007/12/13   | 2.5 PITCH W/B CONN. HOUSING   |                        |
| CHECKED BY      | DATE         | MOLEX INCORPORATED  |                        |
| WY. YANG        | 2007/12/13   | SD-35155-***0*  |                        |
| APPROVED BY     | DATE         | SHEET NO.   |                        |
| EH. JUNG        | 2007/12/13   | 1 OF 1  |                        |
| MATERIAL NO.    | DOCUMENT NO. | THIS DRAWING CONTAINS INFORMATION THAT IS PROPRIETARY TO MOLEX INCORPORATED AND SHOULD NOT BE USED WITHOUT WRITTEN PERMISSION |                        |
| SEE TABLE       |              |   |                        |