

PLEASE CHECK WWW.MOLEX.COM FOR LATEST PART INFORMATION

Part Number: [0351550500](#)
Status: **Active**
Description: 2.50mm (.098") Pitch Wire-to-Board Housing, Positive Lock, Natural, 5 Circuits

Documents:

| | |
|--|--|
| 3D Model | Product Specification PS-35184-001 (PDF) |
| Drawing (PDF) | Product Specification PS-68143-001 (PDF) |
| Product Specification PS-35155-001 (PDF) | RoHS Certificate of Compliance (PDF) |
| Product Specification PS-35155-002 (PDF) | |

Agency Certification

| | |
|-----|-----------|
| CSA | LR19980 |
| TUV | R72081037 |
| UL | E29179 |

General

| | |
|----------------|-----------------------|
| Product Family | Crimp Housings |
| Series | 35155 |
| Product Name | N/A |

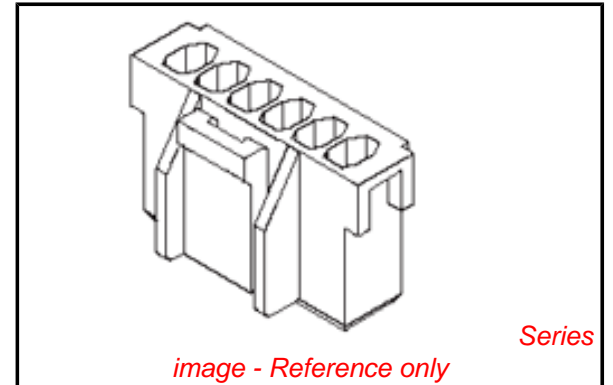
Physical

| | |
|-------------------------------|-----------------|
| Breakaway | No |
| Circuits (maximum) | 5 |
| Color - Resin | Natural |
| Flammability | 94V-0 |
| Gender | Female |
| Glow-Wire Compliant | No |
| Keying to Mating Part | None |
| Lock to Mating Part | Yes |
| Material - Resin | Polyester |
| Number of Rows | 1 |
| Packaging Type | Bag |
| Panel Mount | No |
| Pitch - Mating Interface (in) | 0.098 In |
| Pitch - Mating Interface (mm) | 2.50 mm |
| Temperature Range - Operating | -40°C to +105°C |

Material Info

Reference - Drawing Numbers

| | |
|-----------------------|---|
| Product Specification | PS-35155-001, PS-35155-002, PS-35184-001, PS-68143-001, RPS-35155-101, RPS-35155-102 |
| Sales Drawing | SD-35155-**0* |



EU RoHS

**ELV and RoHS
Compliant**
**REACH SVHC
Contains SVHC: No
Halogen-Free
Status**

China RoHS



**Need more information on product
environmental compliance?**

Email productcompliance@molex.com
 For a multiple part number RoHS Certificate of
 Compliance, [click here](#)

Please visit the [Contact Us](#) section for any
 non-product compliance questions.

Search Parts in this Series

[35155Series](#)

Mates With

[35312](#) Vertical Shrouded Header, [35184](#)
 Wire-to-Wire Plug Housing

Use With

[5103](#) SPOX™ Crimp Terminal

NOTE

- 1. MATERIAL : SEE TABLE
- 2. USED WITH TERMINAL : 5103-*
- 3. MATED WITH WAFER ASS'Y : 35312-***1*

LEGEND

35155 - ** *
 COLOR : 0 --- NATURAL
 1 --- BLACK
 2 --- RED
 3 --- YELLOW
 4 --- BLUE
 0 : PBT / 9 : PBT/PC
 CKT (02,03,04 ...)



| | | | | | |
|------|------|------|--------------|------------|------|
| 35 | 38.1 | 40 | 35155151* | 35155-15** | 15 |
| 32.5 | 35.6 | 37.5 | 4 14** | 4 -14** | 14 |
| 30 | 33.1 | 35 | 13** | -13** | 13 |
| 27.5 | 30.6 | 32.5 | 12** | -12** | 12 |
| 25 | 28.1 | 30 | 11** | -11** | 11 |
| 22.5 | 25.6 | 27.5 | 10** | -10** | 10 |
| 20 | 23.1 | 25 | 09** | -09** | 9 |
| 17.5 | 20.6 | 22.5 | 08** | -08** | 8 |
| 15 | 18.1 | 20 | 07** | -07** | 7 |
| 12.5 | 15.6 | 17.5 | 06** | -06** | 6 |
| 10 | 13.1 | 15 | 05** | -05** | 5 |
| 7.5 | 10.6 | 12.5 | 04** | -04** | 4 |
| 5 | 8.1 | 10 | 03** | -03** | 3 |
| 2.5 | 5.6 | 7.5 | 3515502** | 35155-020* | 2 |
| C | B | A | MATERIAL NO. | ENG NO. | CKT. |



| | | |
|-------------------|---------------------|------------|
| REVISED | EC NO: KOR2008-0103 | 2007/12/24 |
| DRWN: SKHAN01 | 2007/12/24 | |
| CHKD: WY. YANG | 2007/12/24 | |
| APPR: YUNS IKK IM | 2007/12/24 | |
| REV | DESCRIPTION | |

| | |
|-----------------|--|
| QUALITY SYMBOLS | GENERAL TOLERANCES (UNLESS SPECIFIED) |
| ▽=0 | 4 PLACES ± --- ± --- |
| ▽=0 | 3 PLACES ± --- ± --- |
| | 2 PLACES ± --- ± --- |
| | 1 PLACE ± 0.1 ± --- |
| | ANGULAR ± 1° |
| | DRAFT WHERE APPLICABLE MUST REMAIN WITHIN DIMENSIONS |

| | |
|-----------------------|------------|
| DIMENSION STYLE IN/MM | |
| DRAWN BY | DATE |
| SK. HAN | 2007/12/13 |
| CHECKED BY | DATE |
| WY. YANG | 2007/12/13 |
| APPROVED BY | DATE |
| EH. JUNG | 2007/12/13 |
| MATERIAL NO. | |
| SEE TABLE | |
| SIZE | |
| A3 | |

| | | |
|---|---------------------|------------------------|
| SCALE 5:1 | DESIGN UNITS METRIC | THIRD ANGLE PROJECTION |
| TITLE 2.5 PITCH W/B CONN. HOUSING | | |
| MOLEX MOLEX INCORPORATED | | |
| MATERIAL NO. SD-35155-***0* | DOCUMENT NO. | SHEET NO. 1 OF 1 |
| THIS DRAWING CONTAINS INFORMATION THAT IS PROPRIETARY TO MOLEX INCORPORATED AND SHOULD NOT BE USED WITHOUT WRITTEN PERMISSION | | |