

557-083 D-Subminiature Shorting Cap Solid Backshell

557-083 M 2

Basic Part No. _____
Finish Symbol (Table III) _____
Shell Size (Table I) _____

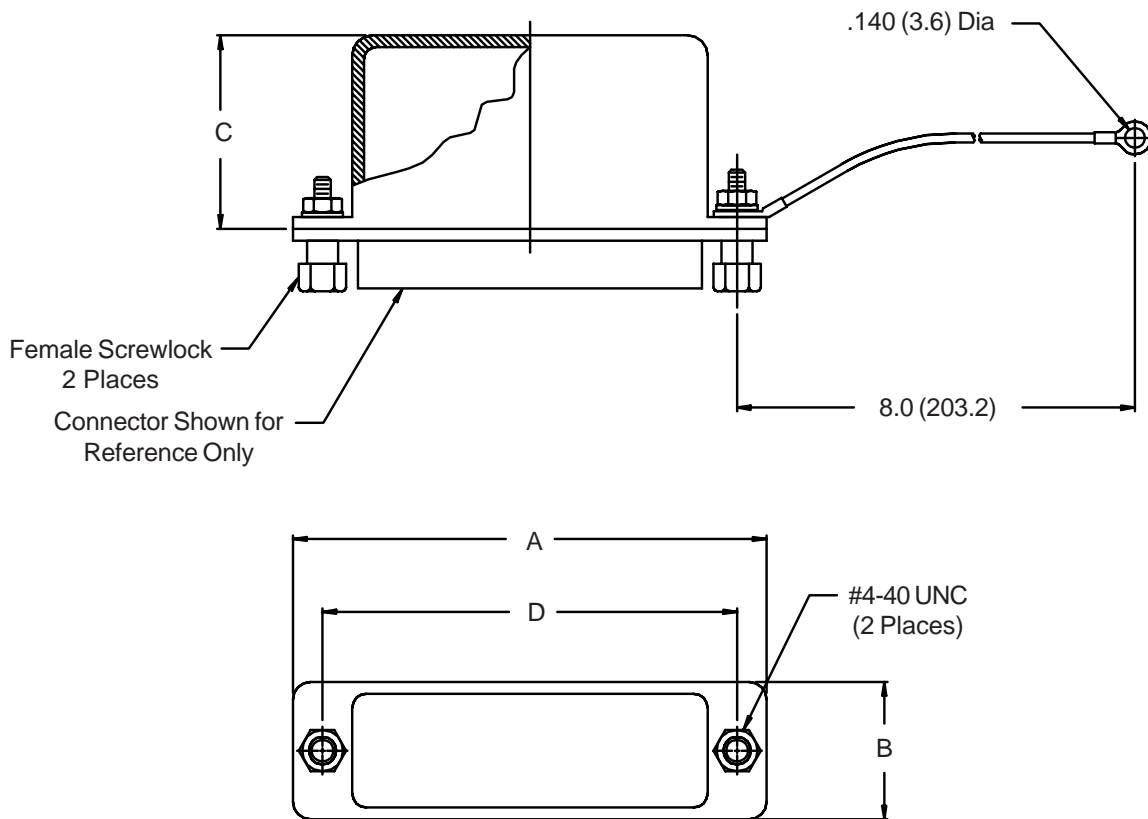


TABLE I: SHELL SIZE & BACKSHELL DIMENSIONS

Shell Size	A Max	B	C	D	
				±.005	(.1)
1	1.25 (31.8)	.53 (13.5)	.75 (19.1)	.984	(25.0)
2	1.58 (40.1)	.53 (13.5)	.75 (19.1)	1.312	(33.3)
3	2.13 (54.1)	.53 (13.5)	1.00 (25.4)	1.852	(47.0)
4	2.77 (70.4)	.53 (13.5)	1.00 (25.4)	2.500	(63.5)
5	2.68 (68.1)	.66 (16.8)	1.25 (31.8)	2.406	(61.1)
6	2.77 (70.4)	.73 (18.5)	1.25 (31.8)	2.500	(63.5)

**TABLE III:
FINISH OPTIONS**

Symbol	Finish
B	Cadmium Plate/Olive Drab
C*	Black Anodize
G*	Anodic Hard Coat
J	Gold Iridite over Cadmium Plate over Electroless Nickel
LF	Cadmium Plate/Bright over Electroless Nickel
M	Electroless Nickel
N	Cadmium Plate/Olive Drab over Electroless Nickel
NC	Zinc Cobalt/Dark Olive Drab
NF	Cadmium Plate/Olive Drab over Electroless Nickel
T	Cadmium Plate/Bright over Electroless Nickel
U**	Cadmium Plate/Black
ZN	Zinc-Nickel Alloy/Olive Drab

*Anodize finish is not suitable for EMI shielding or grounding applications.

**Applicable to corrosion resisting steel backshells and accessories. Consult factory for other available finishes.

1. Metric dimensions (mm) are indicated in parentheses.
2. **DO NOT USE CONNECTORS WITH FLOAT MOUNTINGS.**