

PLEASE CHECK WWW.MOLEX.COM FOR LATEST PART INFORMATION

Part Number: **0740582502**
Status: **Active**
Overview: vhdm
Description: 2.00mm (.079") Pitch VHDM® Board-to-Board Backplane Header, Vertical, 6-Row, Pin End Version, 150 Circuits, Pin Length 6.25mm (.246")

Documents:

[3D Model](#) [RoHS Certificate of Compliance \(PDF\)](#)
[Drawing \(PDF\)](#)

General

Product Family	Backplane Connectors
Series	<u>74058</u>
Application	Backplane
Application Tooling Documents	Tooling Manual
Comments	No Keying Position
Component Type	PCB Header
Overview	<u>vhdm</u>
Product Name	VHDM®
Style	N/A

Physical

Circuits (Loaded)	150
Circuits (maximum)	150
Color - Resin	Black
Durability (mating cycles max)	200
First Mate / Last Break	No
Guide to Mating Part	Yes
Keying to Mating Part	None
Material - Metal	Beryllium Copper, High Performance Alloy (HPA), Stainless Steel
Material - Plating Mating	Gold
Material - Plating Termination	Tin-Lead
Material - Resin	High Temperature Thermoplastic
Number of Columns	N/A
Number of Pairs	Open Pin Field
Number of Rows	6
Orientation	Vertical
PC Tail Length (in)	0.098 In
PC Tail Length (mm)	2.50 mm
PCB Locator	No
PCB Retention	None
PCB Thickness Recommended (in)	0.071 In
PCB Thickness Recommended (mm)	1.80 mm
Packaging Type	Tube
Pitch - Mating Interface (in)	0.079 In
Pitch - Mating Interface (mm)	2.00 mm
Pitch - Term. Interface (in)	0.039 In
Pitch - Term. Interface (mm)	1.00 mm
Plating min: Mating (µin)	30
Plating min: Mating (µm)	0.75
Plating min: Termination (µin)	30
Plating min: Termination (µm)	0.75
Polarized to PCB	Yes
Stackable	No

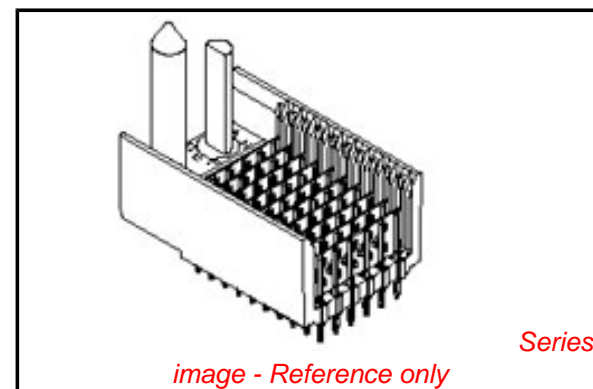


image - Reference only

EU RoHS

RoHS Compliant by Exemption
REACH SVHC
Contains SVHC: No
Halogen-Free
Status
Halogen-Free

China RoHS



Pb

Need more information on product environmental compliance?

Email productcompliance@molex.com
 For a multiple part number RoHS Certificate of Compliance, [click here](#)

Please visit the [Contact Us](#) section for any non-product compliance questions.

Search Parts in this Series

74058Series

Mates With

74030 VHDM® Board-to-Board Daughtercard Receptacle

Application Tooling | FAQ

Tooling specifications and manuals are found by selecting the products below. Crimp Height Specifications are then contained in the Application Tooling Specification document.

Global

Description	Product #
Flat Rock Tooling for Pneumatic Press	<u>0622013700</u>
VHDM® Signal Pin	<u>0622015700</u>
Insertor Repair Tool	
VHDM® 6 Row Pin and Shield Repair Tool	<u>0622015800</u>

Surface Mount Compatible (SMC) Yes
Temperature Range - Operating 105°C
Termination Interface: Style Through Hole - Compliant Pin

Electrical

Current - Maximum per Contact 1A
Data Rate 3.125 Gbps
Real Signals (per 25mm) 75
Shield Type Ground Plane Shield
Shielded Yes
Voltage - Maximum 120V AC (RMS)/DC

Material Info

Reference - Drawing Numbers

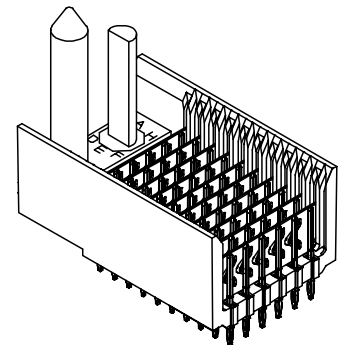
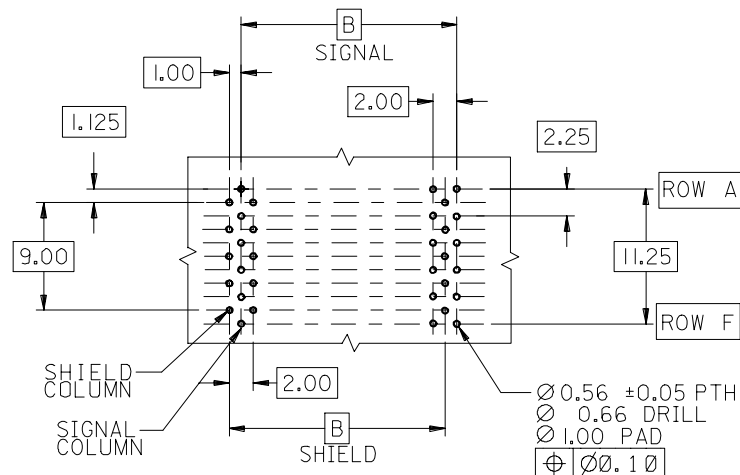
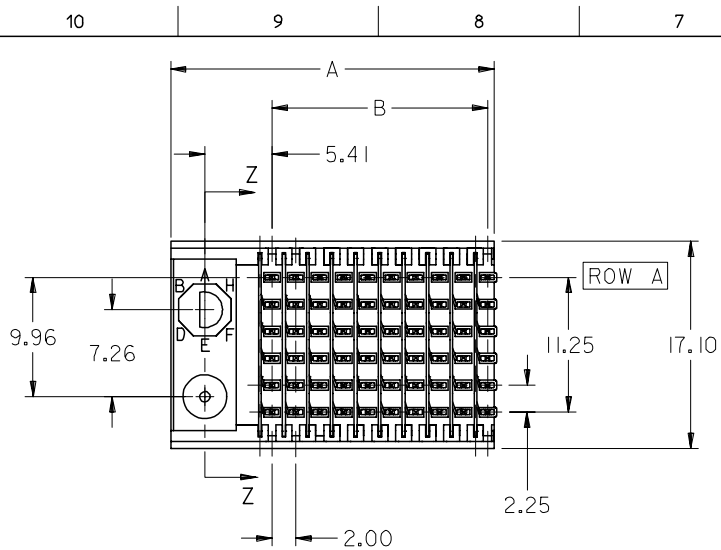
Sales Drawing SD-74058-002

VHDM and Very High Density Metric are trademarks of Amphenol Corporation

VHDM® 6 Row Shield Extraction Tool [0622016000](#)
VHDM® Insertion Module for Advanced Mate Signal Header, 6 Row by 25 Wide, 50.00mm (1.97") [0622020204](#)
VHDM® Insertion Module for Standard Shield Signal Header, 6 Row by 25 Wide, 50.00mm (1.97") [0622020208](#)

This document was generated on 05/19/2010

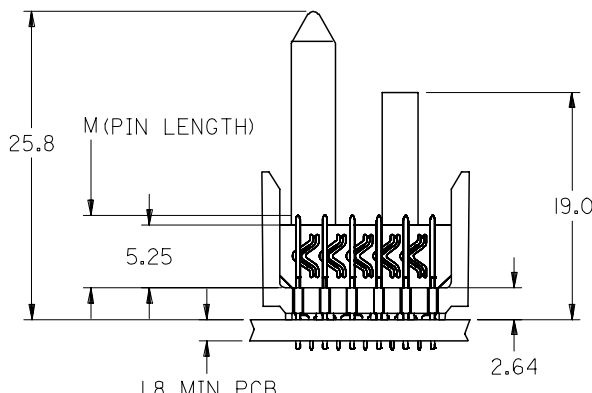
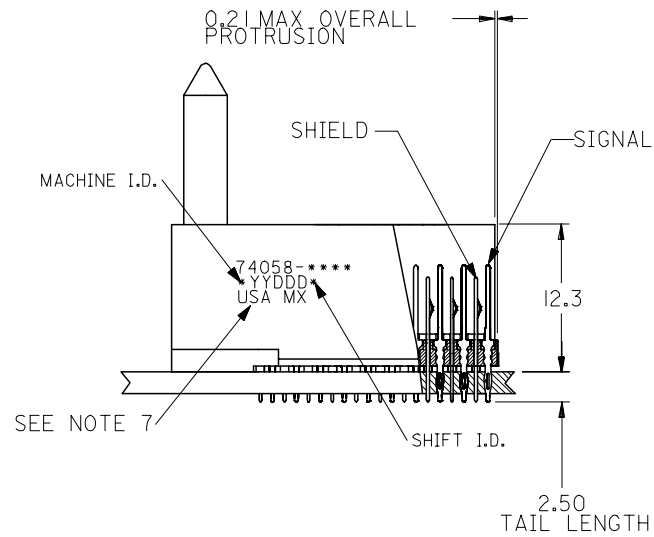
PLEASE CHECK WWW.MOLEX.COM FOR LATEST PART INFORMATION



**BACKPLANE HOLE PATTERN
RECOMMENDED DIMENSIONS**

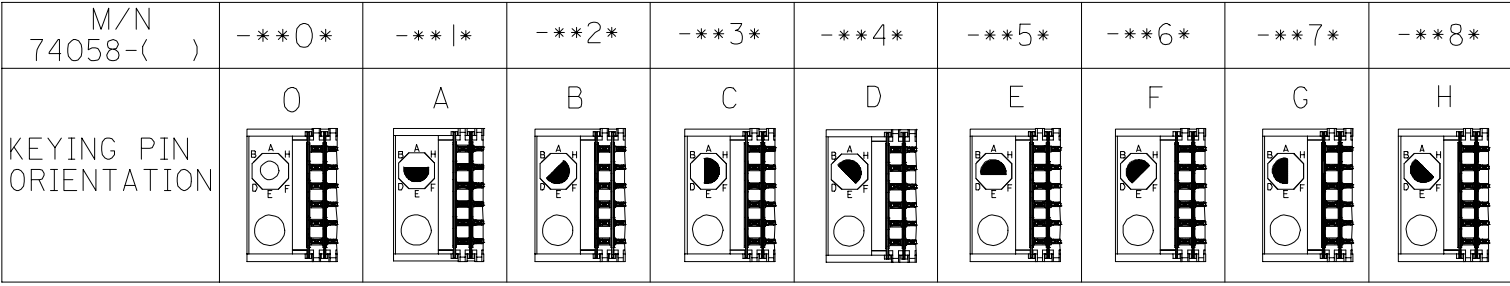
NOTES:

- MATERIALS:**
HOUSING - LIQUID CRYSTAL POLYMER (LCP),
GLASS-FILLED, UL 94V-0, COLOR: BLACK
SIGNAL PIN & SHIELD - COPPER ALLOY
- FINISHES:**
CONTACT AREA: SELECTIVE GOLD (Au)
PCB TAILS: SELECTIVE TIN/LEAD (Sn/Pb)
OR SELECTIVE MATTE TIN (Sn)
NICKEL (Ni) OVERALL.
- THIS PART CONFORMS TO MOLEX PRODUCT SPECIFICATION PS-74031-999
- FOR MIXED CONTACT LENGTHS CONSULT MOLEX FOR AVAILABILITY
- FOR SPECIFIC MATERIAL NUMBERS & MATING INFORMATION REFER TO SHEET 2
- PACKAGE PER PK-74058-003
- EITHER MARK PART WITH PART NUMBER & DATE CODE APPROXIMATELY WHERE SHOWN OR PLACE LABEL ON THE TUBE.



ADD LEADFREE PINS EC NO: UCP2006-0079 DRWN: KMULVEY CHKD: 2005/07/21 APPR: SREED 2005/07/22	DESCRIPTION REV	QUALITY SYMBOLS ▽=0 ▽=0	GENERAL TOLERANCES (UNLESS SPECIFIED) mm INCH 4 PLACES ± --- ± --- 3 PLACES ± --- ± --- 2 PLACES ± --- ± --- 1 PLACE ± --- ± --- ANGULAR ±1/2°	DIMENSION STYLE MM ONLY DRAWN BY: MWANG DATE: 1998/11/09 CHECKED BY: JLAXR DATE: 1998/11/09 APPROVED BY: CBIXLER DATE: 1998/11/09	SCALE 2.5:1 TITLE VHM 6 ROW SIGNAL END BACKPLANE SALES ASSEMBLY	DESIGN UNITS METRIC	THIRD ANGLE PROJECTION
		DRAFT WHERE APPLICABLE MUST REMAIN WITHIN DIMENSIONS	MATERIAL NO. SEE SHEET 2	DOCUMENT NO. SD-74058-002	SHEET NO. 1 OF 2		
		SIZE B	THIS DRAWING CONTAINS INFORMATION THAT IS PROPRIETARY TO MOLEX INCORPORATED AND SHOULD NOT BE USED WITHOUT WRITTEN PERMISSION				
		MOLEX INCORPORATED					

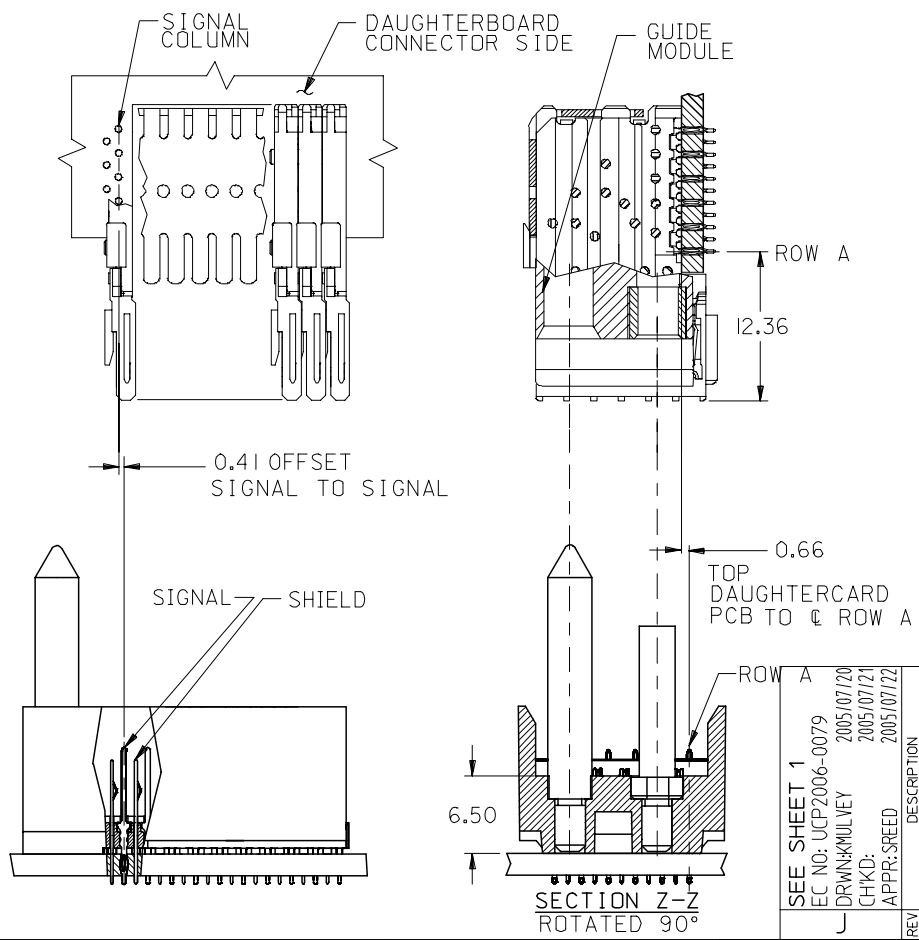
10 9 8 7 6 5 4 3 2 1



74058 * * * *

NUMBER OF COLUMNS/PLATING
 10 = 10 COLUMN TIN/LEAD
 25 = 25 COLUMN TIN/LEAD
 90 = 10 COLUMN MATTE TIN
 85 = 25 COLUMN MATTE TIN

CONTACT LOAD (PIN LENGTH)
 1 & 6 = 4.75
 2 & 7 = 6.25
 3 & 8 = 4.75
 4 & 9 = 5.15



PART NUMBER	COLUMN	NUMBER OF SIGNAL PIN	NUMBER OF SHIELD	A	B	M	Au (um) THICKNESS	Sn (um) THICKNESS
74058-#0*1	10	60	10	27.00	18.00	4.75	0.76	0.76-1.52
74058-#0*6							1.27	
74058-#5*1	25	150	25	57.00	48.00	6.25	0.76	
74058-#5*6							1.27	
74058-#0*2	10	60	10	27.00	18.00	4.25	0.76	
74058-#0*7							1.27	
74058-#5*2	25	150	25	57.00	48.00	5.15	0.76	
74058-#5*7							1.27	
74058-#0*3	10	60	10	27.00	18.00	4.25	0.76	
74058-#0*8							1.27	
74058-#5*3	25	150	25	57.00	48.00	5.15	0.76	
74058-#5*8							1.27	
74058-#0*4	10	60	10	27.00	18.00	4.75	0.76	
74058-#0*9							1.27	
74058-#5*4	25	150	25	57.00	48.00	5.15	0.76	
74058-#5*9							1.27	

1b_frame_B_P_ME_T
Rev. D 2004/04/02

9 8 7 6 5 4 3 2 1

SEE SHEET 1
 EC NO: UCP2006-0079
 DRWNG: MILEVEY 2005/07/20
 CHKD: 2005/07/21
 APPR: SREED 2005/07/22

QUALITY SYMBOLS $\nabla=0$ $\nabla=0$	GENERAL TOLERANCES (UNLESS SPECIFIED)		DIMENSION STYLE MM ONLY		SCALE 2.5:1	DESIGN UNITS METRIC	THIRD ANGLE PROJECTION
			DRAWN BY MWANG	DATE 1998/11/09	TITLE VHDM 6 ROW SIGNAL END BACKPLANE SALES ASSEMBLY		
			CHECKED BY JLAURX	DATE 1998/11/09	MATERIAL NO. SD-74058-002		
			APPROVED BY CBIXLER	DATE 1998/11/09	SHEET NO. 2 OF 2		
DRAFT WHERE APPLICABLE MUST REMAIN WITHIN DIMENSIONS		ANGULAR $\pm 1/2^\circ$		SEE CHART		MOLEX INCORPORATED	
THIS DRAWING CONTAINS INFORMATION THAT IS PROPRIETARY TO MOLEX INCORPORATED AND SHOULD NOT BE USED WITHOUT WRITTEN PERMISSION							