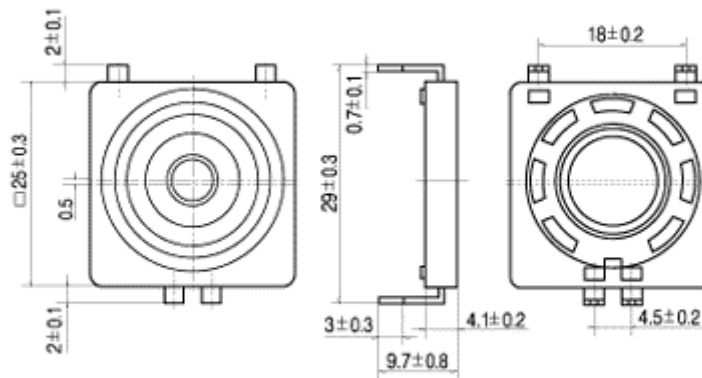


Type	BMS-2508H
Rated Impedance( $\Omega$ )	$8\pm 15\%$
Rated(Max.) Power(W)	0.1(0.2)
Resonant Frequency(Hz)	$1000\pm 20\%$
Rated Freq.Range(Hz)	$f_0\sim 3200$
Sound Pressure Level(dB)	$75\pm 3$
Magnet(g)	1.7
Operating Temperature( $^{\circ}\text{C}$ )	$-40\sim +85$

***OEM pin or extented wire with connector***



Unit:mm

