



Gigabit Ethernet/Fibre Channel Small Form Factor PTH Transceiver

Features

- International Class 1 laser safety certified
- 1.0625Gb/s or 1.25Gb/s data rates
- (ANSI) Fibre Channel compliant [1]
- (IEEE 802.3) Gigabit Ethernet compliant [3]
- Short wavelength (SW) (distance \leq 550m)
- Long wavelength (LW) (distance \leq 10,000m)
- Gigabit electrical serial interface
- Serial electrical \leftrightarrow light conversion
- LVTTTL Signal-Detect Output
- AC coupling of PECL signals
- Single +3.3V Power Supply
- Withstand normal wave solder and aqueous spray cleaning
- UL & CSA approved
- Low bit error rate ($< 10^{-12}$)
- High reliability: AFR $< 0.01\%/khr$ @ 50 C

Applications

- Gigabit Fibre Channel
- Gigabit Ethernet
- Client/Server environments
- Distributed multi-processing
- Fault tolerant applications
- Visualization, real-time video, collaboration
- Channel extenders, data storage, archiving
- Data acquisition

Description

The 1.0625/1.25Gb/s Small Form Factor PTH Transceiver (SFF-PTH-1063/1250-SW/LW-2X5/2X6) is an integrated fiber optic transceiver that provides a high-speed serial link at a signaling rate up to 1.25Gb/s. The SFF-PTH-1063-SW/LW-2X5/2X6 conforms to the American National Standards Institute's (ANSI) Fibre Channel, FC-PI specification for short and long wavelength operation (100-M5-SN-I, 100-M6-SN-I, and 100-SM-LC-L). The SFF-PTH-1250-SW-2X5/2X6 conforms to IEEE 802.3z 1000Base-SX standard [3], and the SFF-PTH-1250-LW-2X5/2X6 conforms to IEEE 802.3z 1000Base-LX standard [3].

The SFF-PTH-1063/1250-SW/LW-2X5/2X6 is ideally suited for Gigabit Ethernet, and Fibre Channel applications which include point to point links as well as Fibre Channel Arbitrated Loop (FC-AL). It can also be used for other serial applications where high data rates are required. This specification applies to a pin through hole (PTH) module which has a 2 by 5 or a 2 by 6 electrical connector pin configuration.

The SFF-PTH-1063/1250-SW-2X5/2X6 uses a short wavelength (850nm) VCSEL (Vertical Cavity Surface Emitting Laser) source. This enables low cost data transmission over optical fibers at distances up to 500m at 1.0625Gb/s and 550m at 1.25Gb/s. A

50/125 μ m multimode optical fiber, terminated with an industry standard LC connector, is the preferred medium. (A 62.5/125 μ m multimode fiber can be substituted with shorter maximum link distances.)

The SFF-PTH-1063/1250-LW-2X5/2X6 uses a long wavelength (1310nm) edge-emitting laser. This enables data transmission at distances up to 10,000m on a single mode (9/125 μ m) optical fiber.

Encoded (8B/10B) [4], [5], gigabit serial differential PECL signals traverse a PTH connector interfacing the SFF-PTH-1063/1250-SW/LW-2X5/2X6 to the host card. The incoming serial data modulates the laser and is sent out over the outgoing fiber of a duplex cable.

Incoming modulated light is detected by a photoreceiver mounted in the LC receptacle. The optical signal is converted to an electrical signal, amplified and delivered to the host card. This module is designed to work with industry standard "10b" Serializer/Deserializer modules.

The SFF-PTH-1063/1250-SW/LW-2X5/2X6 is a Class 1 laser safe product. The optical power levels under normal operation are at eye safe levels, and optical fiber can be connected and disconnected without shutting off the laser transmitter.

Package Outline



Pin Assignments

Pin Name	Type	Pin #
Rx Ground	Ground	1
Rx Power	Power	2
Rx_SD	Status Out	3
Rx_DAT -	Signal Out	4
Rx_DAT +	Signal Out	5
Tx Power	Power	6
Tx Ground	Ground	7
Tx_Disable	Control In	8
Tx_DAT +	Signal In	9
Tx_DAT -	Signal In	10
N/C	Not Connected	A
Tx_Fault (2X6 Only)	Status Out	B

Ordering Information

Product Descriptor	Part Number	Maximum Signaling Rate	Wavelength
SFF-PTH-1063-SW-2X5	IBM42F10SNNA30	1.0625Gb/s	850nm
SFF-PTH-1250-SW-2X5	IBM42F12SNNA30	1.25Gb/s	850nm
SFF-PTH-1063-LW-2X5	IBM42F10LNNA30	1.0625Gb/s	1310nm
SFF-PTH-1250-LW-2X5	IBM42F12LNNA30	1.25Gb/s	1310nm
SFF-PTH-1063-SW-2X6	IBM42G10SNNA30	1.0625Gb/s	850nm
SFF-PTH-1250-SW-2X6	IBM42G12SNNA30	1.25Gb/s	850nm
SFF-PTH-1063-LW-2X6	IBM42G10LNNA30	1.0625Gb/s	1310nm
SFF-PTH-1250-LW-2X6	IBM42G12LNNA30	1.25Gb/s	1310nm

Laser Safety Compliance Requirements

The SFF-PTH-1063/1250-SW/LW-2X5/2X6 is designed and certified as a Class 1 laser product. If the power supply voltage exceeds 4.0 volts, the transceiver may no longer remain a Class 1 product. The system using the SFF-PTH-1063/1250-SW/LW-2X5/2X6 must provide power supply over-voltage protection that guarantees the supply does not exceed 4.0 volts under all conditions.

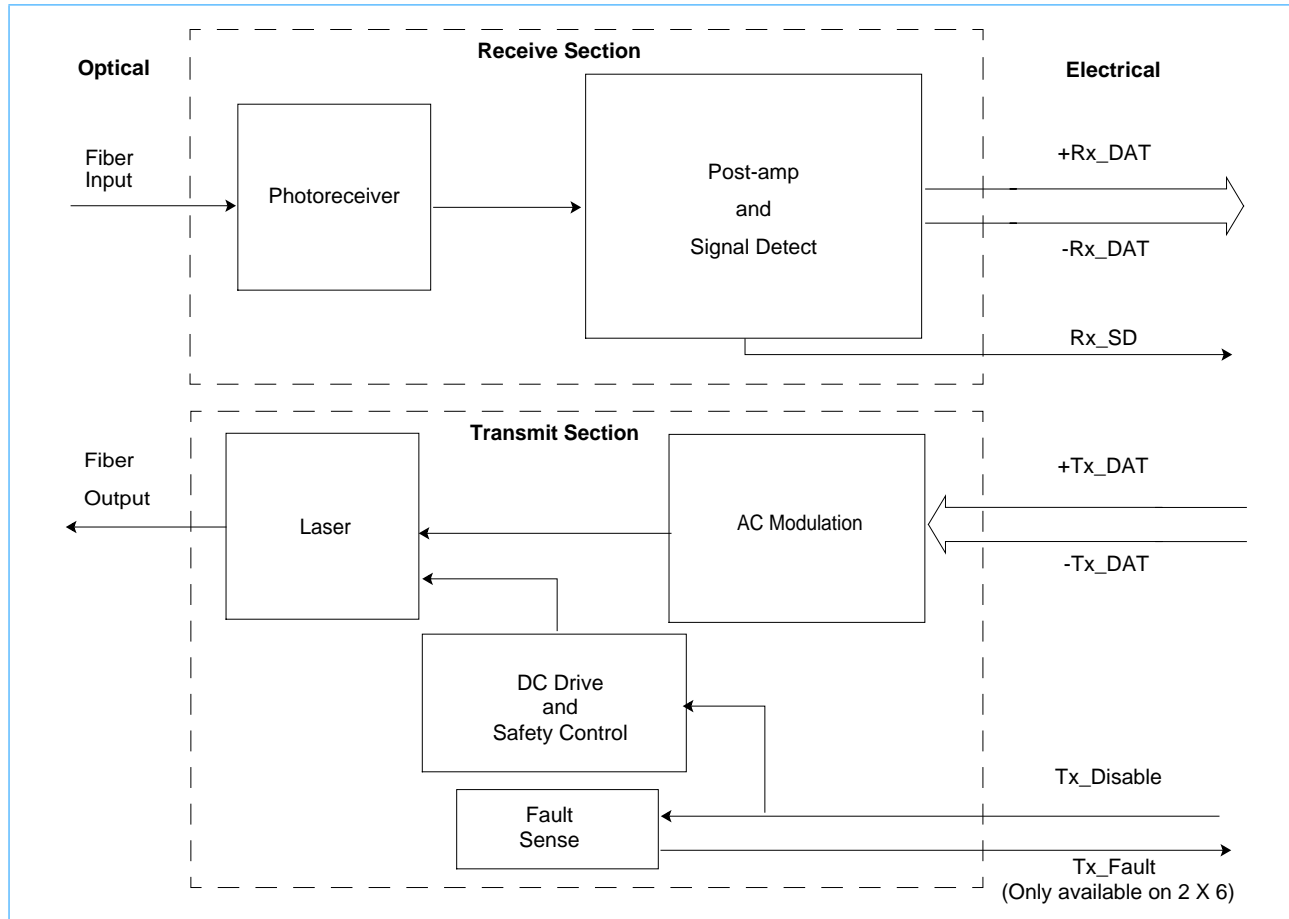
Caution: Operating the power supply above 4.0V or otherwise operating the SFF-PTH-1063/1250-SW/LW-2X5/2X6 in a manner inconsistent with its

design and function may result in hazardous radiation exposure, and may be considered an act of modifying or new manufacturing of a laser product under US regulations contained in 21 CFR(J) or CENELEC regulations contained in EN 60825. The person(s) performing such an act is required by law to recertify and reidentify the product in accordance with the provisions of 21 CFR(J) for distribution within the United States, and in accordance with provisions of CENELEC EN 60825 (or successive regulations) for distribution within the CENELEC countries or countries using the IEC 825 standard.

ESD Notice

It is advised that normal static precautions be taken in the handling and assembly of the SFF-PTH-1063/1250-SW/LW-2X5/2X6 to prevent damage and/or degradation which may be introduced by electrostatic discharge.

Block Diagram



Transmit Section

The input, an AC coupled differential data stream from the host, enters the AC Modulation section of the laser driver circuitry where it modulates the output optical intensity of a semiconductor laser. The DC Drive maintains the laser at the correct preset power level. In addition, safety circuits in the DC Drive will shut off the laser if a fault is detected. *The transceiver provides the AC coupling for the +Tx/-Tx lines.* No AC coupling capacitors are required on the host card for proper operation.

Receive Section

The incoming modulated optical signal is converted to an electrical signal by the photoreceiver. This electrical signal is then amplified and converted to a differential serial output data stream and delivered to the host. A transition detector detects sufficient AC level of modulated light entering the photoreceiver. This signal is provided to the host as a signal detect status line. *The transceiver provides the AC coupling for the +Rx/-Rx lines.* No AC coupling capacitors are required on the host card for proper operation.

Input Signal Definitions

Levels for the signals described in this section are listed in Transmit Signal Interface on page 8 and Control Electrical Interface on page 9.

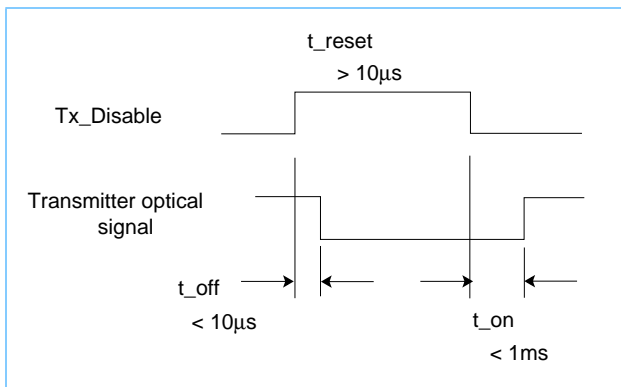
Tx_DAT

A differential PECL serial data stream is presented to the SFF-PTH-1063/1250-SW/LW-2X5/2X6 for transmission onto an optical fiber by modulating the optical output intensity of the laser.

Tx_Disable

When high (a logical one), the Tx_Disable signal turns off the power to both the AC and DC laser driver circuits. It will also reset a laser fault if one should happen. When low (a logical zero), the laser will be turned on within 1ms if a hard fault is not detected. The transceiver contains a pull-down resistor to enable the laser when the line is not connected on the host side. If driven, this line should be connected to a push-pull output driver.

Timing of Tx_Disable Function



Output Signal Definitions

Levels for the signals described in this section are listed in Receive Signal Interface on page 8 and Control Electrical Interface on page 9.

Rx_DAT

The incoming optical signal is converted and repowered as a differential PECL serial data stream. The Receive Signal Interface table on page 8 gives the voltage levels and timing characteristics for the Rx_DAT signals.

Rx_SD

The Receive Signal Detect line is high (a logical one) when the incoming modulated light intensity is sufficient for reliable operation. This is the state for normal operation. The line is low (a logical zero) when the incoming modulated light intensity is below that required to guarantee the correct operation of the link. Normally, this condition only occurs when either the link is unplugged or the companion transceiver is turned off. This signal is normally used by the system for diagnostic purposes.

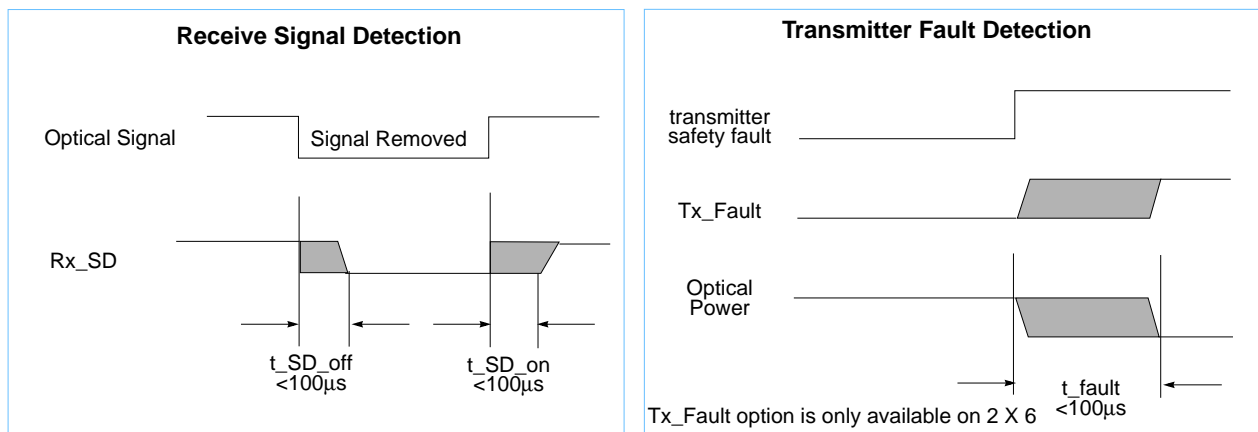
This signal has a push-pull output driver.

Tx_Fault (Only available on 2 X 6)

Upon sensing an improper power level in the laser driver, the SFF sets this signal high and turns off the laser. The Tx_Fault signal can be reset with the Tx_Disable line.

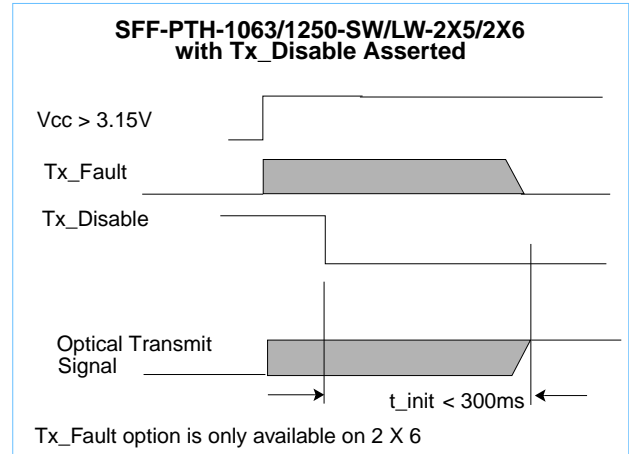
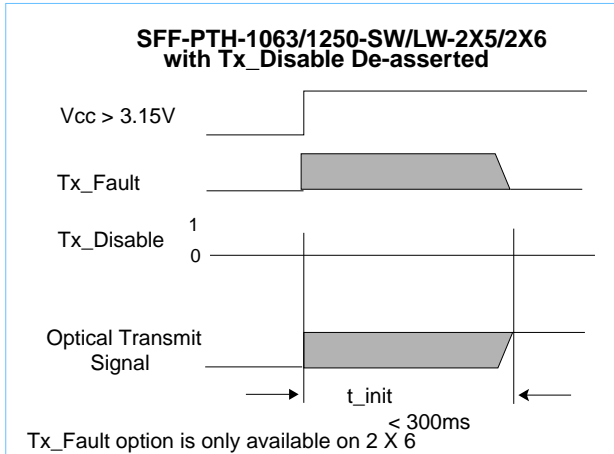
The laser is turned off within 100µs as shown in the Transmitter Fault Detection timing diagram below.

This signal has an open drain TTL driver. A pull up resistor is required on the host side of the SFF connector. The recommended value for this resistor is 10kΩ.



Operation

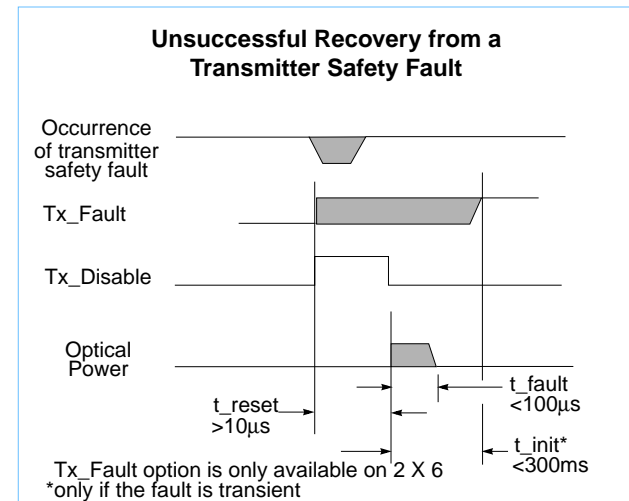
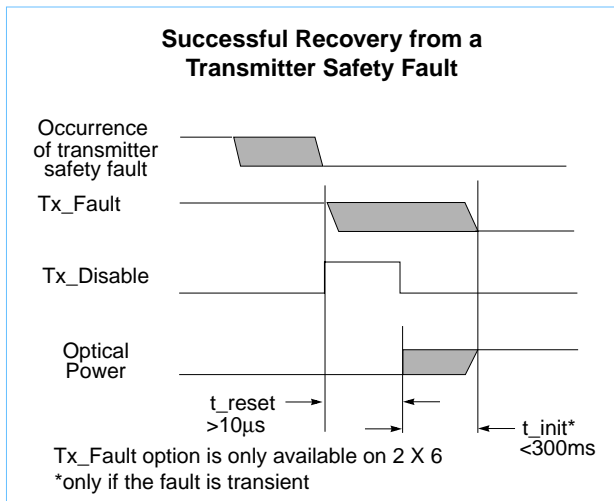
Initialization Timings



Resetting a Laser Fault

Resetting a laser fault by toggling the Tx_Disable input will permit the SFF-PTH-1063/1250-SW/LW-2X5/2X6 to attempt to power on the laser following a fault condition. *Continuous resetting and re-powering of the laser under a hard fault condition could cause a series of optical pulses with sufficient energy to violate laser safety standards.*

To alleviate the possibility of violating laser safety standards, the SFF-PTH-1063/1250-SW/LW-2X5/2X6 will turn off the laser if a second fault is detected within 25ms of the laser powering on. This lock is cleared during each power on cycle. Please refer to the timing diagrams below.





Absolute Maximum Ratings

Symbol	Parameter	Min.	Typical	Max.	Unit	Notes
T _S	Storage Temperature	-40		85	°C	1
RH _S	Relative Humidity--Storage	0		95	%	1, 2
V _{CC}	Supply Voltage	-0.5		4.0	V	1
V _I	TTL DC Input Voltage	0		V _{CC} + 0.7	V	1
T _{SOLD}	Connector Pin Temp during soldering			165/5	°C/s	1,3
T _{SOLD}	Optics Temperature during soldering			100/60	°C/s	4

1. Stresses listed may be applied one at a time without causing permanent damage. Exposure to these values for extended periods may affect reliability. Specification Compliance is only defined within Specified Operating Conditions.
2. Non-condensing environment.
3. The connector pin temperature can be measured with a thermocouple attached to pin 3 of 2x5 header
4. The optics temperature can be measured with a thermocouple on the device with the cover off.

Specified Operating Conditions

Symbol	Parameter	Min.	Typical	Max.	Unit
T _{OP}	Ambient Operating Temperature	0		70	°C
V _{DDT} , V _{DDR}	Supply Voltage	3.135	3.3	3.465	V
RH _{OP}	Relative Humidity-Operating	8		80	%

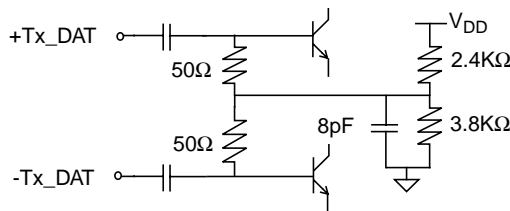
Power Supply Interface

Symbol	Parameter	Min	Typical	Max.	Unit
I _{Tx}	Tx Power Current (@ 3.3V)		60		mA
I _{Rx}	Rx Power Current (@ 3.3V)		90		mA
I _{Tx}	Tx Power Current (@3.465V)			85	mA
I _{Rx}	Rx Power Current (@3.465V)			115	mA
	Ripple & Noise			100	mV (pk-pk)

Transmit Signal Interface (from host to SFF-PTH-1063/1250-SW/LW-2X5/2X6)

Symbol	Parameter	Min	Max.	Unit	Notes
V_o	PECL Amplitude	400	2000	mV	1
$DJ_{elec-xmit}$	PECL Deterministic Jitter (1.0625Gb/s)		0.12	UI	2
$TJ_{elec-xmt}$	PECL Total Jitter		0.25	UI	2
	PECL Rise/Fall	100	350	ps	3
	PECL Differential Skew		20	ps	

- At 100Ω, differential peak-to-peak, the figure below shows the simplified circuit schematic for the SFF-PTH-1063/1250-SW/LW-2X5/2X6 high-speed differential input lines. The PECL input data lines have AC coupling capacitors. The capacitors are not required on the host card.

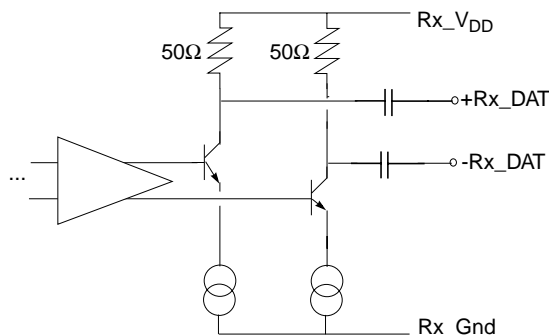


- Deterministic jitter (DJ) and total jitter (TJ) values are measured according to the methods defined in [2]. [1UI(Unit Interval)=800ps at 1.25Gb/s, and 1UI=941ps at 1.0625Gb/s]. Listed values apply to 1.0625Gb/s, 1.25Gb/s transceivers accept TJ <0.24 UI.
- Rise and fall times are measured from 20 - 80%, 100Ω differential.

Receive Signal Interface (from SFF-PTH-1063/1250-SW/LW-2X5/2X6 to host)

Symbol	Parameter	Min	Max.	Unit	Note(s)
V_o	PECL Amplitude	600	1000	mV	1
$DJ_{elec-rcv}$	PECL Deterministic Jitter (1.0625Gb/s)		0.36	UI	2
$TJ_{elec-rcv}$	PECL Total Jitter		0.61	UI	2
	PECL Differential Skew		205	ps	

- At 100Ω, differential peak-to-peak, the figure below shows the simplified circuit schematic for the SFF-PTH-1063/1250-SW/LW-2X5/2X6 high-speed differential output lines. The PECL input data lines have AC coupling capacitors. The capacitors are not required on the host card.



- Deterministic jitter (DJ) and total jitter (TJ) values are measured according to the methods defined in [2]. Jitter values assume worst case input jitter. [1UI(Unit Interval)=800ps at 1.25Gb/s, and 1UI=941ps at 1.0625Gb/s]. Listed values apply to 1.0625Gb/s, 1.25Gb/s transceivers have TJ < 0.749 UI.



Control Electrical Interface

Symbol	Parameter	Min	Max.	Unit	Note(s)
Voltage Levels					
V_{OL}	TTL Output (from SFF-PTH-1063/1250-SW/LW-2X5/2X6)	0.0	0.50	V	
V_{OH}		$V_{CC}-0.5$	$V_{CC}+0.3$	V	
V_{IL}	TTL Input (to SFF-PTH-1063/1250-SW/LW-2X5/2X6)	0	0.8	V	1
V_{IH}		2.0	$V_{DDT}+0.3$	V	
Timing Characteristics					
t_{off}	Tx_Disable Assert time		10	μs	2
t_{on}	Tx_Disable De-assert time		1	ms	2
t_{reset}	Tx_Disable Time to start reset	10		μs	2
t_{fault}	Tx_Fault Assert Time (only available on the 2 X 6)		100	μs	
t_{init}	Initialization Time		300	ms	2
t_{SD_on}	Rx_SD Assert Time		100	μs	3
t_{SD_off}	Rx_SD De-Assert Time		100	μs	3
<ol style="list-style-type: none">1. A 1KΩ pull-down resistor to GND is present on the SFF-PTH-1063/1250-SW/LW-2X5/2X6 to allow the laser to be active when no input signal is provided on Tx_Disable.2. See Tx_Disable on page 4 for timing relationships.3. See Rx_SD on page 5 for timing relations.					



Optical Specifications (Short Wavelength)

Receiver Specifications

Symbol	Parameter	Min	Typical	Max.	Unit	Notes
λ	Operating Wavelength	770		860	nm	
RL	Return Loss of Receiver	12			dB	
	Average Received Power (1.25Gb/s)	-17		0	dBm	1
OMA	Optical Modulation Amplitude (1.0625Gb/s)	31		2000	μ W (pk-pk)	1, 2
P _{off}	Rx_SD De-Assert (negate) Level	-27.0		-17.5	dBm (avg)	3
P _{on}	Rx_SD Assert Level			-17.0	dBm (avg)	3
	Rx_SD Hysteresis	0.5	2.5	5.0	dB (optical)	3

1. The minimum and maximum values of the average received power in dBm give the input power range to maintain a BER 10^{-12} when the data is sampled in the center of the receiver eye. These values take into account power penalties caused by the use of a laser transmitter with a worst-case combination of spectral width, extinction ratio and pulse shape characteristics.
2. Optical Modulation Amplitude (OMA) is defined as the difference in optical power between a logic level one and a logic level zero. The OMA is defined in terms of average optical power (P_{AVG} in μ W) and extinction ratio (ER) as given by $OMA=2P_{AVG}((ER-1)/(ER+1))$. In this expression the extinction ratio, defined as the ratio of the average optical power (in μ W) in a logic level one to the average optical power in a logic level zero measured under fully modulated conditions in the presence of worst case reflections, must be the absolute (unitless linear) ratio and not expressed in ratio of 9 dB. At 1.0625Gb/s, the specified OMA is equivalent to an average power of -17 dBm at an ER of 9 dB.
3. The Rx_SD has hysteresis to minimize "chatter" on the output line. In principle, hysteresis alone does not guarantee chatter-free operation. The SFF-PTH-1063/1250-SW/LW-2X5/2X6, however, presents a Rx_SD line without chatter, where chatter is defined as a transient response having a voltage level of greater than 0.5 volts (in the case of going from the negate level to the assert level) and of any duration that can be sensed by the host logic.



Transmitter Specifications

Symbol	Parameter	Min	Typical	Max.	Unit	Notes
λ_C	Spectral Center Wavelength	830		860	nm	
$\Delta\lambda$	Spectral Width			0.85	nm (rms)	
PT	Launched Optical Power	-9.5		-4.0	dBm (avg)	1
T_{rise}/T_{fall}	Optical Rise/Fall Time			260	ps	2
	Optical Extinction Ratio (1.25Gb/s)	9			dB	3
OMA	Optical Modulation Amplitude (1.0625Gb/s)	156			μ W (pk-pk)	4
RIN ₁₂	Relative Intensity Noise			-117	dB/Hz	5
	Eye Opening	0.57			UI	6
DJ	Deterministic Jitter (1.0625Gb/s)			0.20	UI	7
CPR	Coupled Power Ratio	9			dB	8

1. Launched optical power is measured at the end of a two meter section of a 50/125 μ m fiber (N.A.=0.20). The maximum and minimum of the allowed range of average transmitter power coupled into the fiber are worst case values to account for manufacturing variances, drift due to temperature variations, and aging effects. The minimum launched optical power specified assumes an infinite extinction ratio at the minimum specified OMA.
2. Optical transition time is the time interval required for the rising or falling edge of an optical pulse to transition between the 20% and 80% amplitudes relative to the logical 1 and 0 levels. This is measured through a 4th order Bessel -Thompson filter with 0.75 * Data Rate 3-dB bandwidth and corrected to the full bandwidth value.
3. Extinction Ratio is the ratio of the average optical power (in dB) in a logical level one to the average optical power in a logical level zero measured under fully modulated conditions with a pattern of five 1s followed by five 0s, in the presence of worst case reflections.
4. Optical Modulation Amplitude (OMA) is defined as the difference in optical power between a logical level one and a logical level zero. The OMA is defined in terms of average optical power (P_{AVG} in μ W) and extinction ratio (ER) as given by $OMA=2P_{AVG}((ER-1)/(ER+1))$. In this expression, the extinction ratio, defined as the ratio of the average optical power (in μ W) in a logic level one to the average optical power in a logic level zero measured under fully modulated conditions in the presence of worst case reflections, must be the absolute (unitless linear) ratio and not expressed in dB. At 1.0625Gb/s, the specified OMA is equivalent to an average power of -9 dBm at an extinction ratio of 9 dB.
5. RIN₁₂ is the laser noise, integrated over a specified bandwidth, measured relative to average optical power with 12dB return loss. See Ref[1], Annex A.
6. Eye opening is the portion of the bit time where the bit error rate (BER) $\leq 10^{-12}$.
7. Deterministic Jitter is defined in Ref [1][2].
8. Coupled Power Ratio is the ratio of the average power coupled into a multimode fiber to the average power coupled into a single mode fiber. This measurement is defined in EIA/TIA-526-14A.



Optical Specifications (Long Wavelength)

Receiver Specifications

Symbol	Parameters	Min	Typical	Max	Units	Notes
λ	Operating Wavelength	1270		1355	nm	
RL	Return Loss of Receiver	12			dB	
	Average Received Power (1.25Gb/s)	-20		-3	dBm	1
OMA	Optical Modulation Amplitude (1.0625Gb/s)	15		1000	μ W	1,2
P _{off}	Rx_SD De-Assert (negate) Level	-30.0		-20.0	dBm (avg)	3
P _{on}	Rx_SD Assert Level			-20.5	dBm (avg)	3
	Rx_SD Hysteresis	0.5	2.5	5.0	dB (optical)	3

1. The minimum and maximum values of the average received power in dBm allow the input power range to maintain a BER 10^{-12} when the data is sampled in the center of the receiver eye. These values take into account power penalties caused by the use of a laser transmitter with a worst-case combination of spectral width, extinction ratio, and pulse shape characteristics.
2. Optical Modulation Amplitude (OMA) is defined as the difference in optical power between a logic level one and a logic level zero. The OMA is defined in terms of average optical power (P_{AVG} in μ W) and extinction ratio (ER) as given by $OMA=2P_{AVG}((ER-1)/(ER+1))$. The extinction ratio, defined as the ratio of the average optical power (in μ W) in a logic level one to the average optical power in a logic level zero measured under fully modulated conditions in the presence of worst case reflections, must be the absolute (unitless linear) ratio and not expressed in dB. At 1.0625Gb/s, the specified OMA is equivalent to an average power of -20 dBm at an ER of 9 dB.
3. The RX_SD has hysteresis to minimize "chatter" on the output line. In principle, hysteresis alone does not guarantee chatter-free operation. These SFFs, however, present an RX_SD line without chatter, where chatter is defined as a transient response having a voltage level of greater than 0.5 volts (in the case of going from the negate level to the assert level) and of any duration that can be sensed by the host logic.



Transmitter Specifications

Symbol	Parameter	Min	Typical	Max	Units	Notes
λ_C	Spectral Center Wavelength	1290		1335	nm	
$\Delta\lambda$	Spectral Width			2.5	nm (rms)	
PT	Launched Optical Power	-9.5		-3.0	dBm (avg)	1
T_{rise}/T_{fall}	Optical Rise/Fall Time			150	ps	2
	Optical Extinction Ratio (1.25Gb/s)	9			dBm	3
OMA	Optical Modulation Amplitude (1.0625Gb/s)	189			μW	4
RIN_{12}	Relative Intensity Noise			-120	dB/Hz	5
	Eye Opening	0.57			UI	6
DJ	Deterministic Jitter (1.0625Gb/s)			0.20	UI	7

1. Launched optical power is measured at the end of a two meter section of a 9/125 μm fiber for the SFF-PTH-1063/1250-LW-2X5/2X6. The maximum and minimum of the allowed range of average transmitter power coupled into the fiber are worst case values to account for manufacturing variances, drift due to temperature variations, and aging effects. The minimum launched optical power specified assumes an infinite extinction ratio at the minimum specified OMA.
2. Optical transition time is the time interval required for the rising or falling edge of an optical pulse to transition between the 20% and 80% amplitudes relative to the logical 1 and 0 levels. This is measured through a 4th order Bessel -Thompson filter with 0.75 * Data Rate 3-dB bandwidth and corrected to the full bandwidth value.
3. Extinction Ratio is the ratio of the average optical power (in dB) in a logical level one to the average optical power in a logical level zero measured under fully modulated conditions with a pattern of five 1s followed by five 0s, in the presence of worst case reflections.
4. Optical Modulation Amplitude (OMA) is defined as the difference in optical power between a logic level one and a logic level zero. The OMA is defined in terms of average optical power (P_{AVG} in μW) and extinction ratio (ER) as given by $OMA=2P_{AVG}((ER-1)/(ER+1))$. In this expression, the extinction ratio, the ratio of the average optical power (in μW) in a logic level one to the average optical power in a logic level zero measured under fully modulated conditions in the presence of worst case reflections, must be the absolute (unitless linear) ratio and not expressed in dB.
5. RIN_{12} is the laser noise, integrated over a specified bandwidth, measured relative to average optical power with 12 dB return loss. See ANSI Fibre Channel Specification Annex A.5.
6. Eye opening is the portion of the bit time where the bit error rate (BER) is $< 10^{-12}$.
7. Deterministic Jitter is defined in Ref [1][2].



Optical Cable and Connector Specifications (Short Wavelength)

Symbol	Parameter	Min	Typical	Max.	Unit	Notes
50/125 μm Cable Specifications (Multimode 850nm, 400MHz-km)						
L	Length - 1.25Gb/s	2		500	m	
L	Length - 1.0625Gb/s	2		450	m	
BW	Bandwidth @ λ = 850nm	400			MHz-km	
μ _c	Attenuation @ λ = 850nm			3.5	dB/km	
N.A.	Numerical Aperture		0.20			
50/125 μm Cable Specifications (Multimode 850nm, 500MHz-km)						
L	Length - 1.25Gb/s	2		550	m	
L	Length - 1.0625Gb/s	2		500	m	
BW	Bandwidth @ λ = 850nm	500			MHz-km	
μ _c	Attenuation @ λ = 850nm			3.5	dB/km	
N.A.	Numerical Aperture		0.20			
62.5/125 μm Cable Specifications (Multimode 850nm, 160MHz-km)						
	Length - 1.25Gb/s	2		220	m	
	Length - 1.0625Gb/s	2		250	m	
BW	Bandwidth @ λ = 850nm	160			MHz-km	
	Attenuation @ λ = 850nm			3.75	dB/km	
N.A.	Numerical Aperture		0.275			
62.5/125 μm Cable Specifications (Multimode 850nm, 200MHz-km)						
	Length - 1.25Gb/s	2		275	m	
	Length - 1.0625Gb/s	2		300	m	
BW	Bandwidth @ λ = 850nm	200			MHz-km	
	Attenuation @ λ = 850nm			3.75	dB/km	
N.A.	Numerical Aperture		0.275			
LC Optical Connector Specifications (Multimode)						
μ _{con}	Nominal Attenuation		0.25	0.4	dB	1
σ _{con}	Attenuation Standard Deviation		0.15		dB	1
	Connects/Disconnects			250	cycles	1
1. The optical interface connector dimensionally conforms to the industry standard LC type connector documented in [1]. A dual keyed LC receptacle mechanically aligns the optical transmission fiber to the SFF-PTH-1063/1250-SW/LW-2X5/2X6,.						



Optical Cable and Connector Specifications (Long Wavelength)

Symbol	Parameter	Min	Typical	Max.	Unit	Notes
9/125μm Cable Specifications (Singlemode 1310nm)						
L	Length - 1.25Gb/s			5000	m	
L	Length - 1.0625Gb/s			10000	m	
μ_c	Attenuation @ $\lambda = 1310\text{nm}$			0.5	dB/km	
50/125μm Cable specifications (Multimode 1310nm)						
L	Length - 1.25Gb/s	2		550	m	
BW	Bandwidth @ $\lambda = 1300\text{nm}$	400			MHz-km	
μ_c	Attenuation @ $\lambda = 1300\text{nm}$			0.5	dB/km	
N.A.	Numerical Aperture		0.20			
62.5/125μm Cable specifications (Multimode 1310nm)						
L	Length - 1.25Gb/s	2		550	m	
BW	Bandwidth @ $\lambda = 1300\text{nm}$	500			MHz-km	
μ_c	Attenuation @ $\lambda = 1300\text{nm}$			0.5	dB/km	
N.A.	Numerical Aperture		0.275			
LC Optical Connector (Singlemode)						
μ_{con}	Nominal Attenuation		0.2	0.4	dB	1
σ_{con}	Attenuation Standard Deviation		0.1		dB	1
	Connects/Disconnects			250	cycles	1
1. The optical interface connector dimensionally conforms to the industry standard LC type connector documented in [1]. A dual keyed LC receptacle mechanically aligns the optical transmission fiber to the SFF-PTH-1063/1250-SW/LW-2X5/2X6.						



Reliability Projections

Symbol	Parameter	Max.	Unit	Note
AFR	Average Failure Rate	0.0100	%/khr	1

1. AFR specified over 44 khours at 50 C, with minimum airflow of 100 fpm.

ESD Compliance

Symbol	Parameter	Compliance.	Notes
ESD _{EP}	HBM ESD Rating to Electrical Pins	Class I	1
ESD _{LC}	Air Discharge into Front Bezel	Class IV	2

1. The HBM (human body model) is a 100pF capacitor discharged through a 1.5KΩ resistor into each pin per JESD22-A114-B.
 2. Complies with European ESD Immunity Test (C-B-2-0001-034).

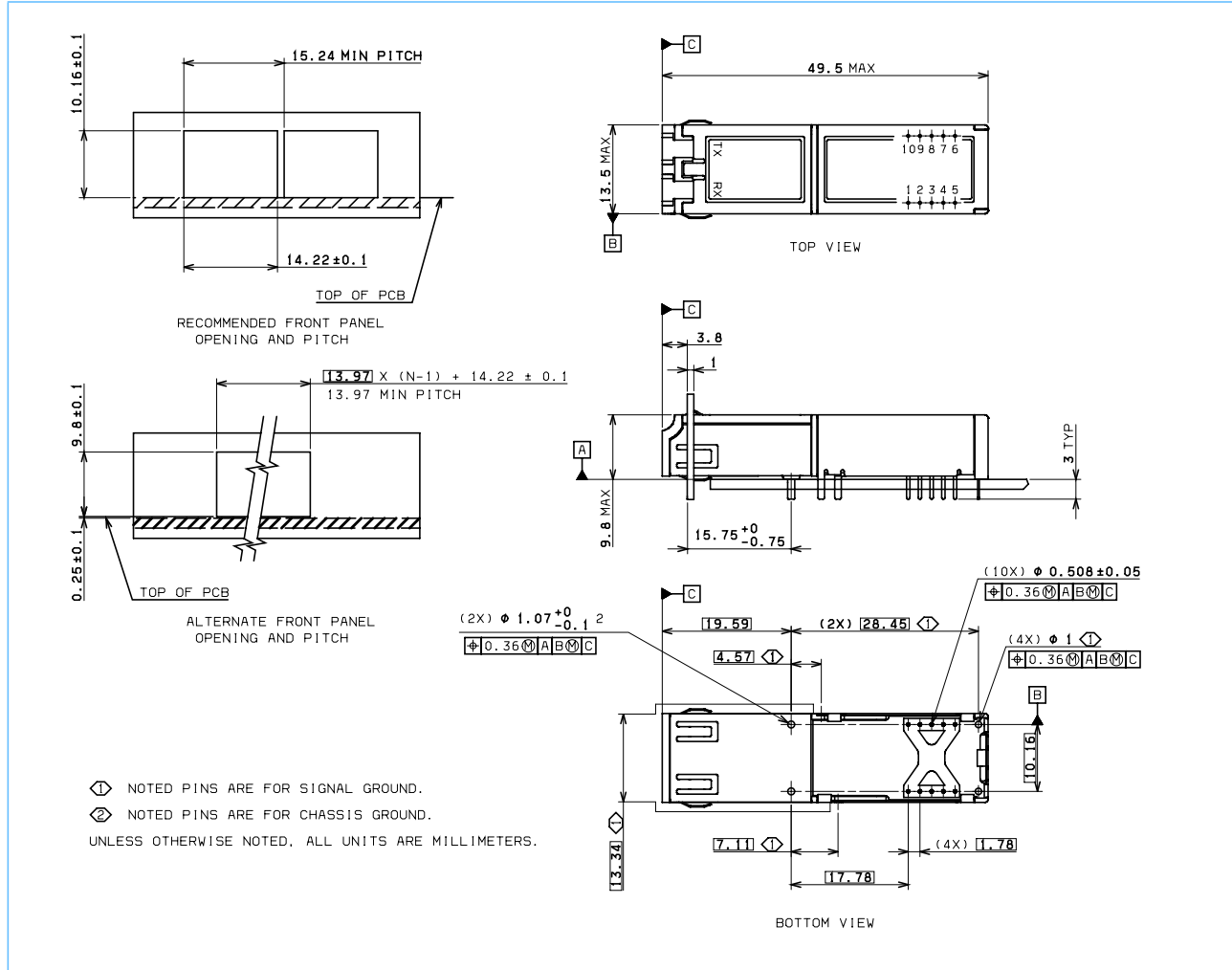
Soldering Information

The SFF transceiver comes with a process/dust plug. When the process/dust plug is in place the transceiver can withstand normal wave soldering and aqueous spray cleaning processes. While, the transceiver is able to withstand an aqueous cleaning process, since it is not hermetically sealed, it was not designed to be immersed in cleaning solvents. If the process/dust plug was not contaminated during the wave soldering and aqueous spray cleaning process it can be reused as a dust plug.



Mechanical Description (2 X 5 Pin Configuration)

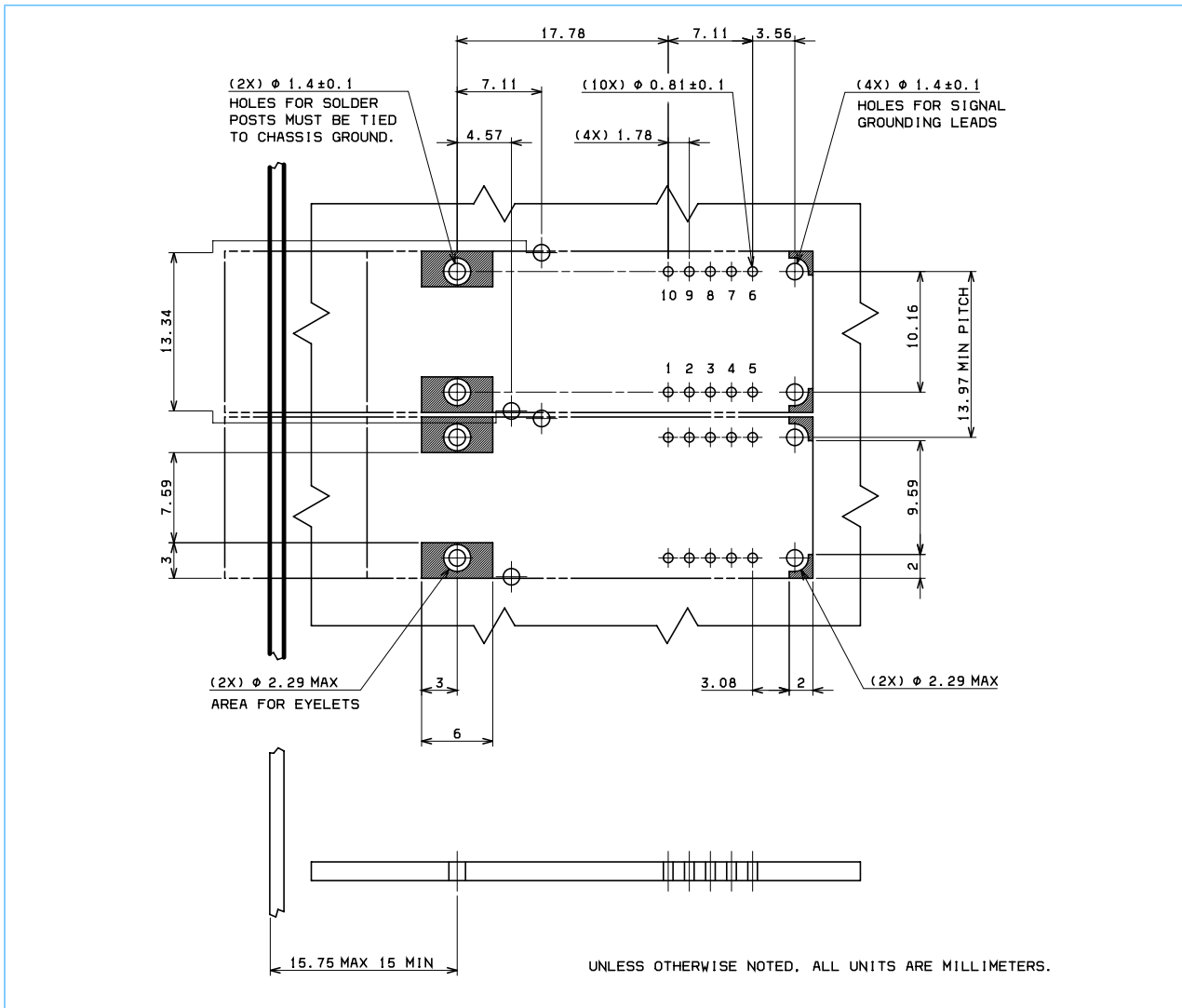
Package Diagram



The SFF-PTH-1063/1250-SW/LW-2X5 is intended to be used on a host card having a thickness of 0.062" to 0.100". The host card footprint with essential keepouts and drill holes is shown in Host Card Footprint (2 X 5 Pin Configuration) on page 18.

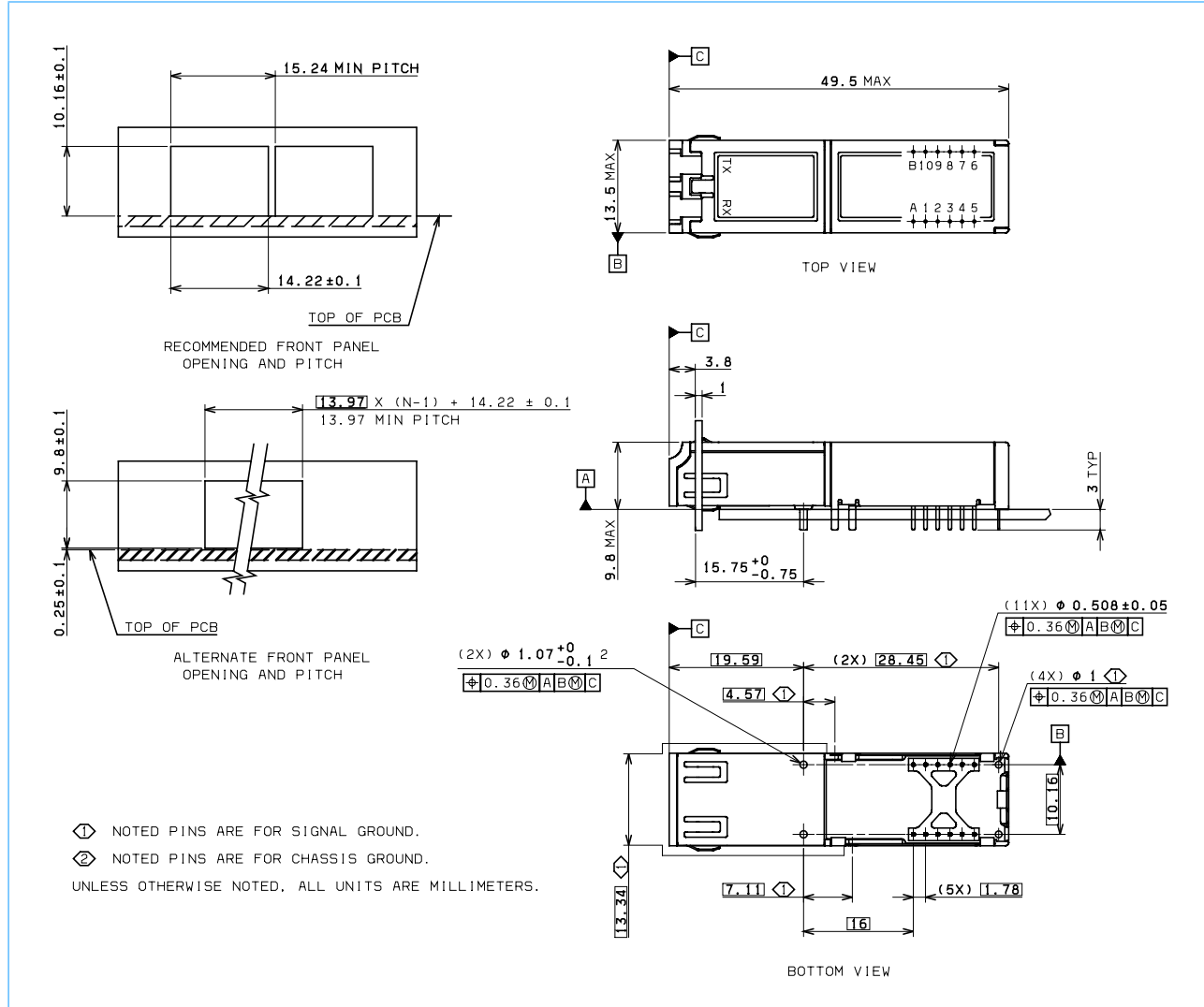


Host Card Footprint (2 X 5 Pin Configuration)



Mechanical Description (2 X 6 Pin Configuration)

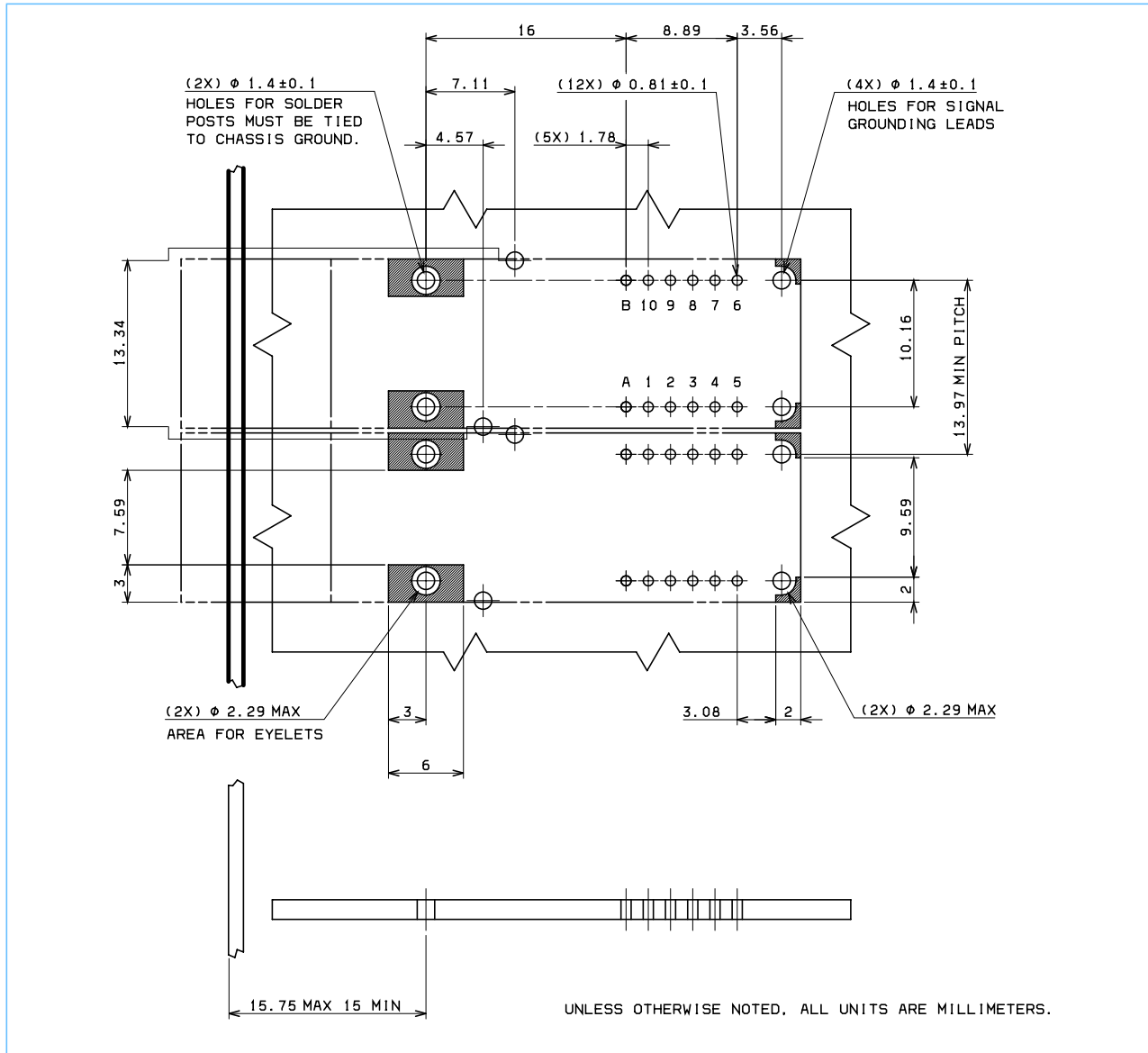
Package Diagram



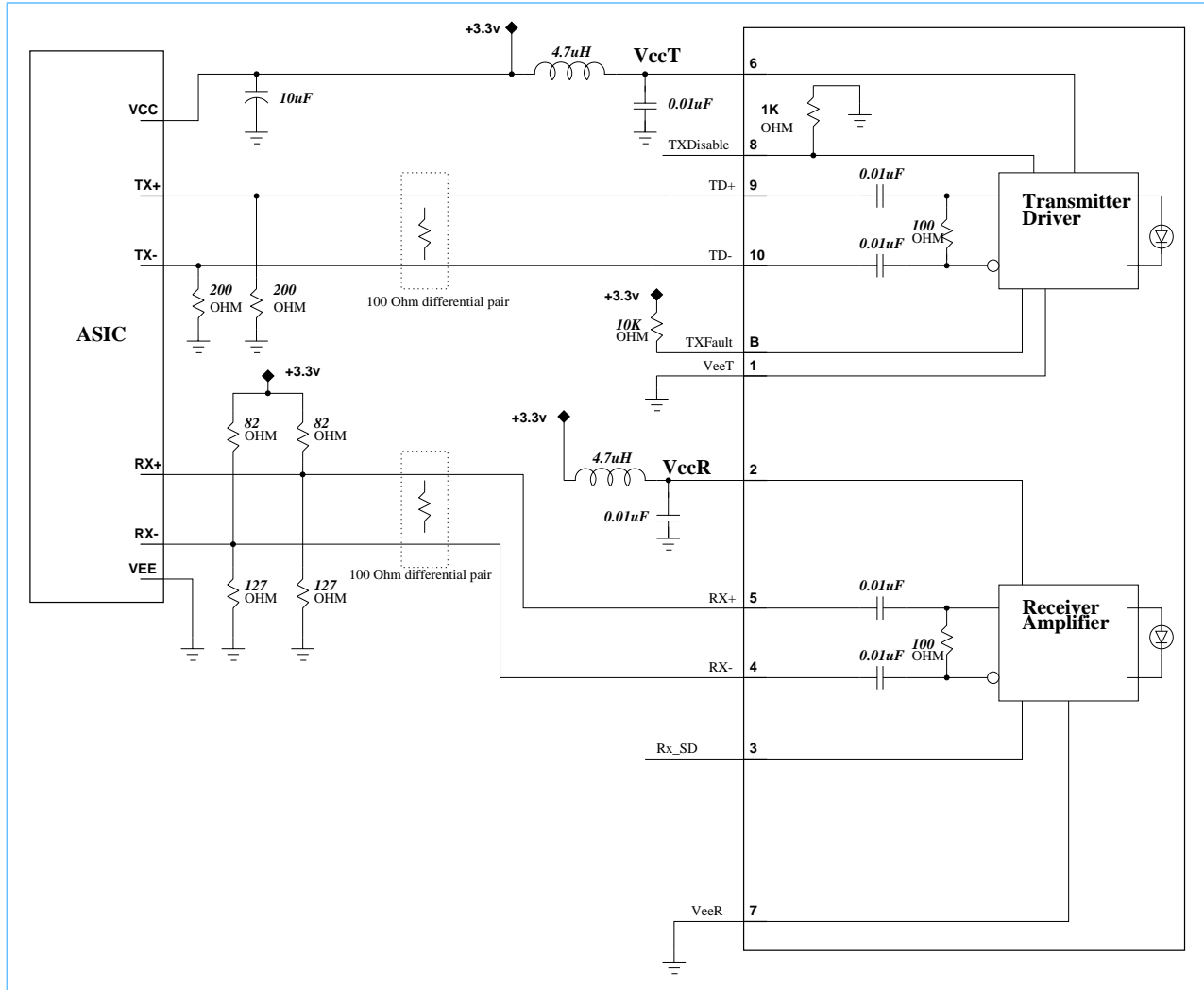
The SFF-PTH-1063/1250-SW/LW-2X6 is intended to be used on a host card having a thickness of 0.062" to 0.100". The host card footprint with essential keepouts and drill holes is shown in Host Card Footprint (2 X 6 Pin Configuration) on page 20.



Host Card Footprint (2 X 6 Pin Configuration)



Recommended Transceiver/Host Interface



References

Standards

1. American National Standards Institute Inc. (ANSI), T11/Project 1235-DT/Rev 10, Fibre Channel-Physical Interface (FC-PI). Drafts of this standard are available to members of the standards working committee. For further information see the T11.2 website at www.t11.org. To be added to the email reflector, send an E-mail to:

majordomo@dpt.com

containing the line:

subscribe t11.2 <your email address>

2. American National Standards Institute Inc. (ANSI), T11.2/Project 1230/Rev10, Fibre Channel-Methodologies for Jitter Specifications (MJS). Drafts of this standard are available to members of the standards working committee. For further information see the T11.2 website at www.t11.org. To be added to the email reflector, send an E-mail to:

majordomo@network.com

containing the line:

subscribe T11 <your email address>

3. IEEE 802.3z Gigabit Ethernet Network Standard. Copies of this document may be purchased from:

Global Engineering
15 Inverness Way East
Englewood, CO 80112-5704
Phone: (800) 854-7179 or (303) 792-2181
Fax: (303) 792-2192

Industry Specifications

4. A.X. Widmer and P.A. Franaszek, "A DC-Balanced, Partitioned-Block, 8B/10B Transmission Code," *IBM Journal of Research and Development*, vol. 27, no. 5, pp. 440-451, September 1983. This paper fully defines the 8B/10B code. It is primarily theoretical.
5. A.X. Widmer, The ANSI Fibre Channel Transmission Code, *IBM Research Report, RC 18855 (82405)*, April, 23 1993. Copies may be requested from:

Publications
IBM Thomas J. Watson Research Center
Post Office Box 218
Yorktown Heights, New York 10598
Phone: (914) 945-1259
Fax: (914) 945-4144



IBM42G12SNNA30 IBM42G10SNNA30 IBM42F12SNNA30 IBM42F10SNNA30
IBM42G12LNNA30 IBM42G10LNNA30 IBM42F12LNNA30 IBM42F10LNNA30

Gigabit Ethernet/Fibre Channel Small Form Factor PTH Transceiver

Revision Log

Date	Description of Modification
08/15/00	Initial release.



© Copyright International Business Machines Corporation 2000.

All Rights Reserved
Printed in the United States of America, August 2000

The following are trademarks of International Business Machines Corporation in the United States, or other countries, or both.

IBM IBM Logo

Other company, product and service names may be trademarks or service marks of others.

All information contained in this document is subject to change without notice. The products described in this document are NOT intended for use in implantation or other life support applications where malfunction may result in injury or death to persons. The information contained in this document does not affect or change IBM product specifications or warranties. Nothing in this document shall operate as an express or implied license or indemnity under the intellectual property rights of IBM or third parties. All information contained in this document was obtained in specific environments, and is presented as an illustration. The results obtained in other operating environments may vary.

THE INFORMATION CONTAINED IN THIS DOCUMENT IS PROVIDED ON AN "AS IS" BASIS. In no event will IBM be liable for damages arising directly or indirectly from any use of the information contained in this document.

IBM Microelectronics Division
1580 Route 52, Bldg. 504
Hopewell Junction,
NY 12533-6351

The IBM home page can be found at
<http://www.ibm.com>

The IBM Microelectronics Division home page
can be found at <http://www.chips.ibm.com>

1063/1250 Mb/s SFF PTH.01
08/15/00