

iC149

PROGRAMMABLE ns-PULSE GENERATOR

preliminary



Rev A0.2, Page 1/6

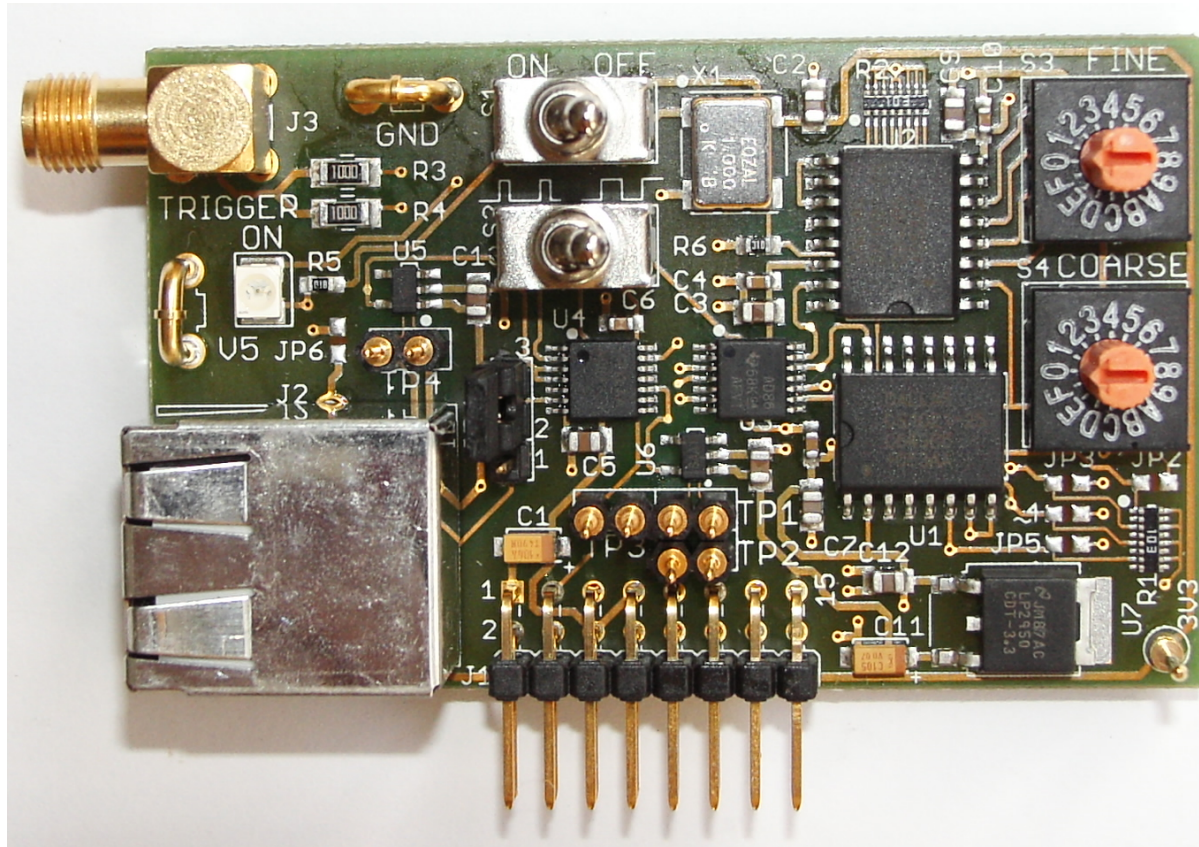
FEATURES

Pulse width 1 bis 64 ns in steps of 0.25 ns
Fixed frequency of 1 MHz
LVDS und TTL outputs
Compatible with HG1D, NZN1D, NZP1D

APPLICATIONS

Pulse generator for fast laser diode drivers

BLOCK DIAGRAM



iC149

PROGRAMMABLE ns-PULSE GENERATOR

preliminary



Rev A0.2, Page 2/6

DESCRIPTION

Pulse generator iC149 produces pulses with a small duty cycle in the range of ca. 1 ns up to 64 ns max. in steps of 0.25 ns at a pulse frequency of 1 MHz. The pulse width is set by means of two hexadecimal coding switches in coarse and fine steps.

The pulses are output both as LVDS and TTL signals.

This module can easily be used with the evaluation boards HG1D, NZN1D and NZP1D.

ELECTRICAL CHARACTERISTICS

Test Conditions: $V_s = \pm 15\text{ V}$, $T_a = 25\text{ }^\circ\text{C}$, System Impedance $50\ \Omega$

Item No.	Symbol	Parameter	Conditions	Min.	Typ.	Max.	Unit
Power Supply							
101	V5	Power Supply		4.75	5	5.25	V
102	I(V5)	Supply Current	V5 = 5 V, S1 = OFF V5 = 5 V, S1 = ON, TRIGGER open V5 = 5 V, S1 = ON, TRIGGER $50\ \Omega$ vs. Ground		45 50 75		mA mA mA
Pulse Width							
201	T_{pmax}	Maximum Pulsweite	V5 = 5 V, $T_a = 27\text{ }^\circ\text{C}$, <i>coarse</i> = "F", <i>fine</i> = "F"		63.75		ns
202	T_{pmin}	Minimum Pulsweite	V5 = 5 V, $T_a = 27\text{ }^\circ\text{C}$, <i>coarse</i> = "0", <i>fine</i> = "C"		1		ns

SETTING THE PULSE WIDTH

Typical pulse widths as follows (measured values in parentheses):

m = 15	$\Delta T = 15 * 4 \text{ ns} = 60 \text{ ns}$	(60.2 ns)
m = 14	$\Delta T = 14 * 4 \text{ ns} = 56 \text{ ns}$	(56.4 ns)
m = 13	$\Delta T = 13 * 4 \text{ ns} = 52 \text{ ns}$	(52.3 ns)
m = 12	$\Delta T = 12 * 4 \text{ ns} = 48 \text{ ns}$	(48.7 ns)
m = 11	$\Delta T = 11 * 4 \text{ ns} = 44 \text{ ns}$	(44.7 ns)
m = 10	$\Delta T = 10 * 4 \text{ ns} = 40 \text{ ns}$	(40.9 ns)
m = 9	$\Delta T = 9 * 4 \text{ ns} = 36 \text{ ns}$	(36.7 ns)
m = 8	$\Delta T = 8 * 4 \text{ ns} = 32 \text{ ns}$	(32.6 ns)
m = 7	$\Delta T = 7 * 4 \text{ ns} = 28 \text{ ns}$	(28.7 ns)
m = 6	$\Delta T = 6 * 4 \text{ ns} = 24 \text{ ns}$	(24.7 ns)
m = 5	$\Delta T = 5 * 4 \text{ ns} = 20 \text{ ns}$	(20.2 ns)
m = 4	$\Delta T = 4 * 4 \text{ ns} = 16 \text{ ns}$	(15.7 ns)
m = 3	$\Delta T = 3 * 4 \text{ ns} = 12 \text{ ns}$	(12.4 ns)
m = 2	$\Delta T = 2 * 4 \text{ ns} = 8 \text{ ns}$	(7.5 ns)
m = 1	$\Delta T = 1 * 4 \text{ ns} = 4 \text{ ns}$	(3.0 ns)

Table 2: m = 1...15 (coarse), n = 0 (fine)

n = 15	$\Delta T = 4 \text{ ns} + 15 * 0.25 \text{ ns} = 7.75 \text{ ns}$	(7.2 ns)
n = 14	$\Delta T = 4 \text{ ns} + 14 * 0.25 \text{ ns} = 7.50 \text{ ns}$	(6.8 ns)
n = 13	$\Delta T = 4 \text{ ns} + 13 * 0.25 \text{ ns} = 7.25 \text{ ns}$	(6.5 ns)
n = 12	$\Delta T = 4 \text{ ns} + 12 * 0.25 \text{ ns} = 7.00 \text{ ns}$	(6.2 ns)
n = 11	$\Delta T = 4 \text{ ns} + 11 * 0.25 \text{ ns} = 6.75 \text{ ns}$	(6.0 ns)
n = 10	$\Delta T = 4 \text{ ns} + 10 * 0.25 \text{ ns} = 6.50 \text{ ns}$	(5.8 ns)
n = 9	$\Delta T = 4 \text{ ns} + 9 * 0.25 \text{ ns} = 6.25 \text{ ns}$	(5.5 ns)
n = 8	$\Delta T = 4 \text{ ns} + 8 * 0.25 \text{ ns} = 6.00 \text{ ns}$	(4.9 ns)
n = 7	$\Delta T = 4 \text{ ns} + 7 * 0.25 \text{ ns} = 5.75 \text{ ns}$	(4.5 ns)
n = 6	$\Delta T = 4 \text{ ns} + 6 * 0.25 \text{ ns} = 5.50 \text{ ns}$	(4.4 ns)
n = 5	$\Delta T = 4 \text{ ns} + 5 * 0.25 \text{ ns} = 5.25 \text{ ns}$	(4.3 ns)
n = 4	$\Delta T = 4 \text{ ns} + 4 * 0.25 \text{ ns} = 5.00 \text{ ns}$	(4.1 ns)
n = 3	$\Delta T = 4 \text{ ns} + 3 * 0.25 \text{ ns} = 4.75 \text{ ns}$	(3.9 ns)
n = 2	$\Delta T = 4 \text{ ns} + 2 * 0.25 \text{ ns} = 4.50 \text{ ns}$	(3.5 ns)
n = 1	$\Delta T = 4 \text{ ns} + 1 * 0.25 \text{ ns} = 4.25 \text{ ns}$	(3.2 ns)
n = 0	$\Delta T = 4 \text{ ns} + 0 * 0.25 \text{ ns} = 4.00 \text{ ns}$	(3.0 ns)

Table 3: m = 1 (coarse), n = 1...15 (fine)

n = 15	$\Delta T = 2.8 \text{ ns} \pm 0.4 \text{ ns}$	(2.8 ns)
n = 14	$\Delta T = 2.5 \text{ ns} \pm 0.4 \text{ ns}$	(2.6 ns)
n = 13	$\Delta T = 2.2 \text{ ns} \pm 0.4 \text{ ns}$	(2.1 ns)
n = 12	$\Delta T = 1.0 \text{ ns} \pm 0.4 \text{ ns}$	(1.1 ns)
n < 12	$\Delta T = 0.0 \text{ ns}$	

Table 4: m = 0 (coarse) und n ≥ 12 (fine)

Formula to calculate the pulse width:

$$\Delta T = (m * 4 \text{ ns} + n * 0.25 \text{ ns}) \pm 2 \text{ ns}$$

$$1 \leq m \text{ (coarse)} \leq 15,$$

$$0 \leq n \text{ (fine)} \leq 15,$$

$$m = 0 \text{ s. Tab. 4}$$

PIN CONFIGURATION

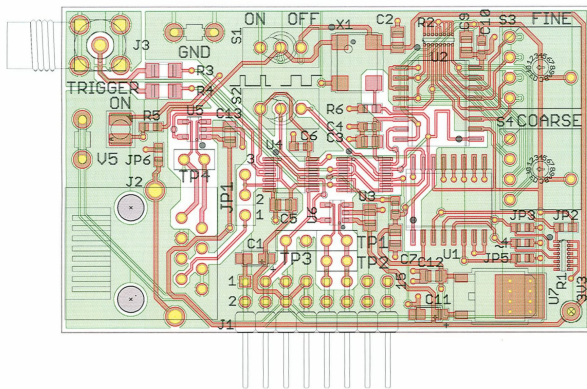


Figure 1: The populated PCB

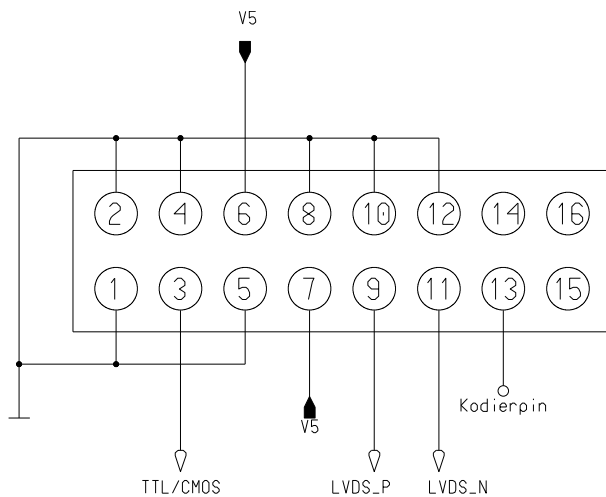


Figure 2: Pin configuration J1

- J1 16 pole pin header for power supply and signal outputs
- J2 RJ45 connector for output signals with LVDS or TTL/CMOS levels
- J3 TRIGGER: SMA connector for trigger output, $R_{out} = 50 \Omega$
- JP1 Jumper at position 1-2 selects TTL/CMOS signals for J2
- S1 Oscillator ON/OFF
- S2 Selector switch: programmable pulse or symmetrical 1 MHz signal
- S3 Coding switch *fine*
- S4 Coding switch *coarse*
- TP1 LVDS signal at J1 (must be terminated with 100Ω for measurement purpose)
- TP2 LVDS signal at J1
- TP3 TTL/CMOS signal at J1
- TP4 LVDS signal at J2
- GND GND
- V5 V5
- 3V3 3.3 V

Table 5: Connectors on the PCB

SAMPLE PULSES

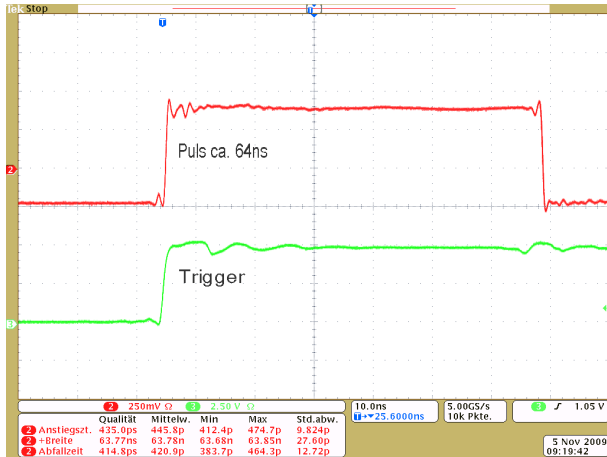


Figure 3: Maximum pulse width

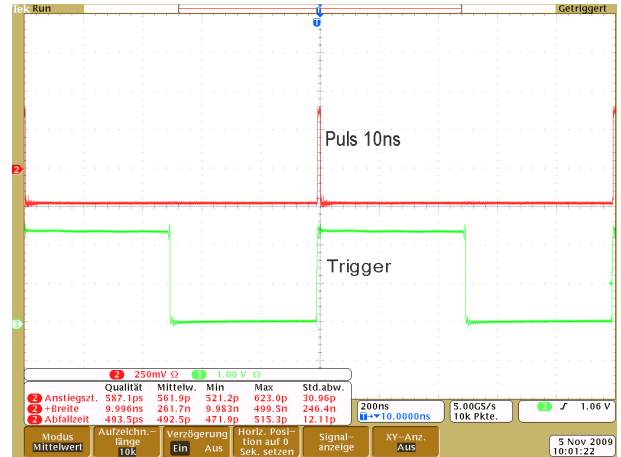


Figure 5: Trigger and LVDS pulse



Figure 4: Minimum pulse width

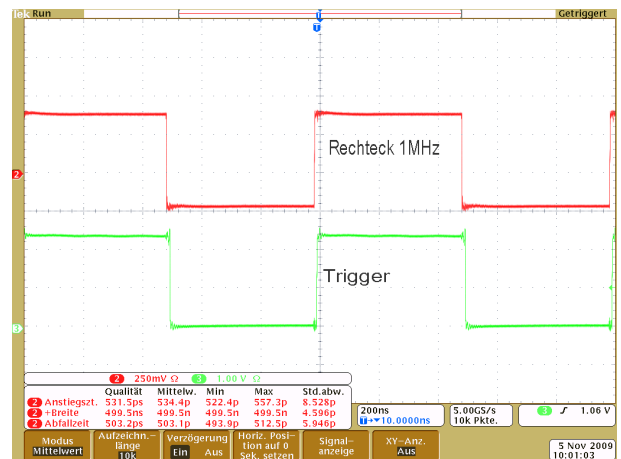


Figure 6: Trigger and 1 MHz LVDS signal

iC149

PROGRAMMABLE ns-PULSE GENERATOR

BLOCK DIAGRAM

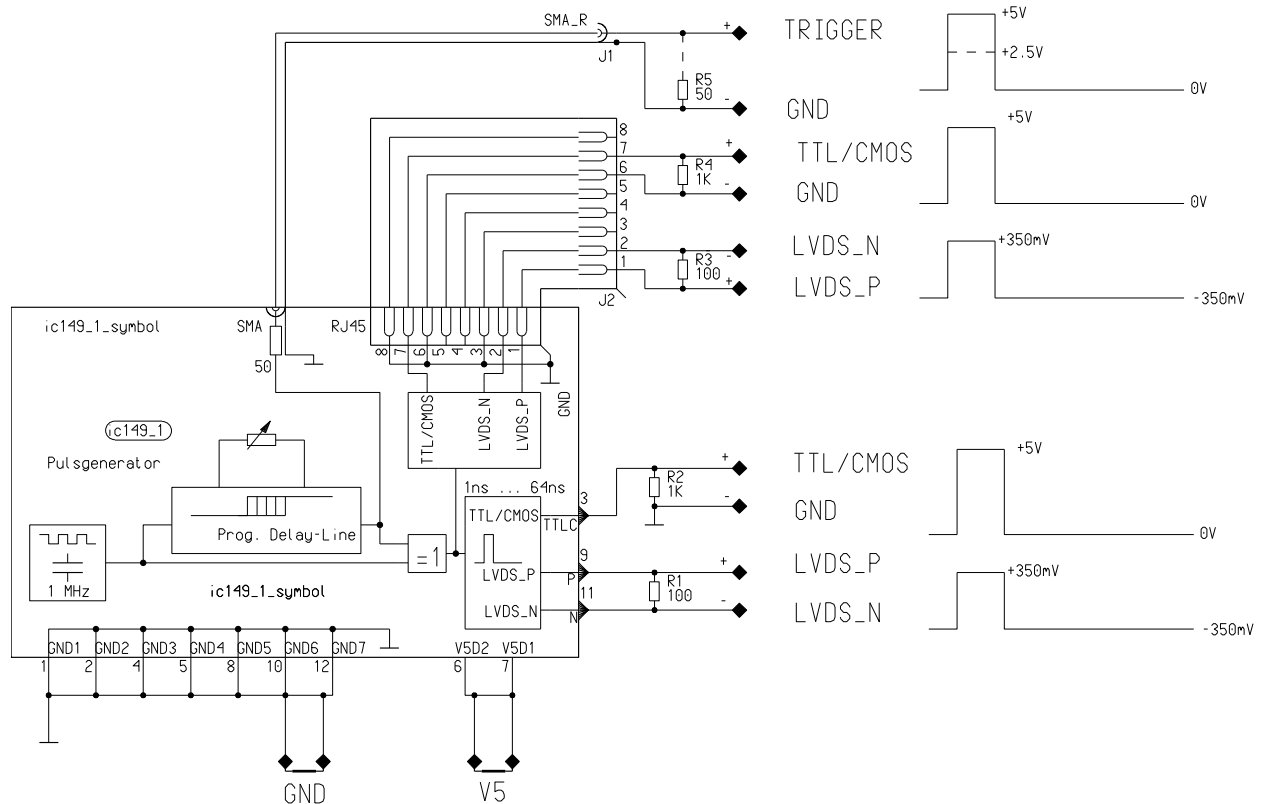


Figure 7: Block diagram of the iC149

iC-Haus expressly reserves the right to change its products and/or specifications. An info letter gives details as to any amendments and additions made to the relevant current specifications on our internet website www.ichaus.de/infoletter; this letter is generated automatically and shall be sent to registered users by email.

Copying – even as an excerpt – is only permitted with iC-Haus' approval in writing and precise reference to source.

iC-Haus does not warrant the accuracy, completeness or timeliness of the specification and does not assume liability for any errors or omissions in these materials.

The data specified is intended solely for the purpose of product description. No representations or warranties, either express or implied, of merchantability, fitness for a particular purpose or of any other nature are made hereunder with respect to information/specification or the products to which information refers and no guarantee with respect to compliance to the intended use is given. In particular, this also applies to the stated possible applications or areas of applications of the product.

iC-Haus conveys no patent, copyright, mask work right or other trade mark right to this product. iC-Haus assumes no liability for any patent and/or other trade mark rights of a third party resulting from processing or handling of the product and/or any other use of the product.

As a general rule our developments, IPs, principle circuitry and range of Integrated Circuits are suitable and specifically designed for appropriate use in technical applications, such as in devices, systems and any kind of technical equipment, in so far as they do not infringe existing patent rights. In principle the range of use is limitless in a technical sense and refers to the products listed in the inventory of goods compiled for the 2008 and following export trade statistics issued annually by the Bureau of Statistics in Wiesbaden, for example, or to any product in the product catalogue published for the 2007 and following exhibitions in Hanover (Hannover-Messe).

We understand suitable application of our published designs to be state-of-the-art technology which can no longer be classed as inventive under the stipulations of patent law. Our explicit application notes are to be treated only as mere examples of the many possible and extremely advantageous uses our products can be put to.