

PLEASE CHECK WWW.MOLEX.COM FOR LATEST PART INFORMATION

Part Number: [0545616001](#)
Status: **Active**
Overview: [qf50](#)
Description: 2.54mm (.100") Pitch QF-50™ Flat Cable Strain Relief, 60 Circuits

Documents:

[Drawing \(PDF\)](#) [Product Specification PS-54559-005 \(PDF\)](#)
[Product Specification PS-54559-004 \(PDF\)](#) [RoHS Certificate of Compliance \(PDF\)](#)

General

| | |
|-------------------------------|---------------------------|
| Product Family | Accessories |
| Series | 54561 |
| Application Tooling Part Link | 572525100 |
| Component Type | Strain Relief |
| Overview | qf50 |
| Product Name | QF-50™ |

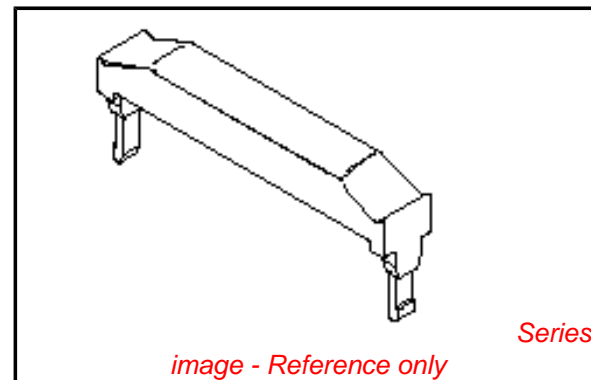
Physical

| | |
|-------------------------------|----------------|
| Circuits (Loaded) | 60 |
| Gender | N/A |
| Packaging Type | Tray |
| Temperature Range - Operating | -40°C to +85°C |

Material Info

Reference - Drawing Numbers

| | |
|-----------------------|---|
| Product Specification | PS-54559-004, PS-54559-005, RPS-54559-008, RPS-54559-010, RPS-54559-012, RPS-54559-014, RPS-54559-015, RPS-54559-016, RPS-54559-017 |
| Sales Drawing | SD-54561-002 |



EU RoHS

**ELV and RoHS
Compliant**
**REACH SVHC
Contains SVHC: No**
**Halogen-Free
Status
Not Reviewed**

China RoHS



**Need more information on product
environmental compliance?**

Email productcompliance@molex.com
 For a multiple part number RoHS Certificate of Compliance, [click here](#)

Please visit the [Contact Us](#) section for any non-product compliance questions.

Search Parts in this Series

[54561Series](#)

Use With

[54560](#) Upper Housing, [54559](#) Receptacle Housing

Application Tooling | [FAQ](#)

Tooling specifications and manuals are found by selecting the products below. Crimp Height Specifications are then contained in the Application Tooling Specification document.

Japan

| Description | Product # |
|----------------------------------|----------------------------|
| Clamp Tool For MIL IDT Connector | 0572525100 |

10 9 8 7 6 5 4 3 2 1

F

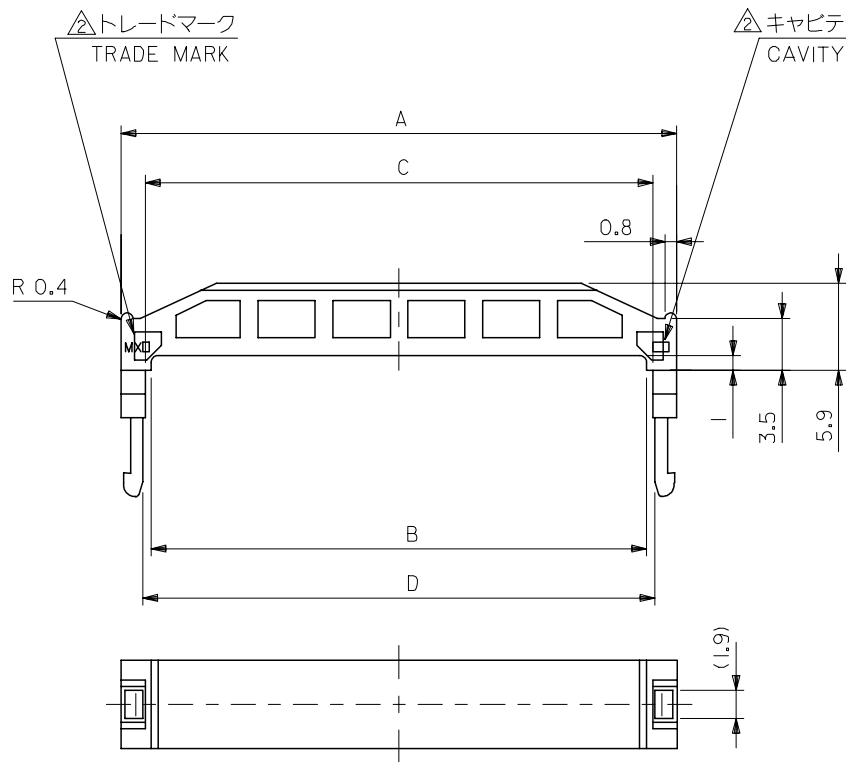
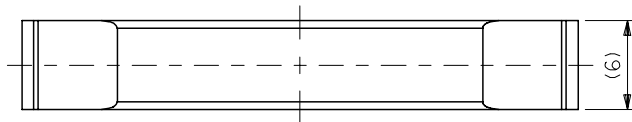
E

D

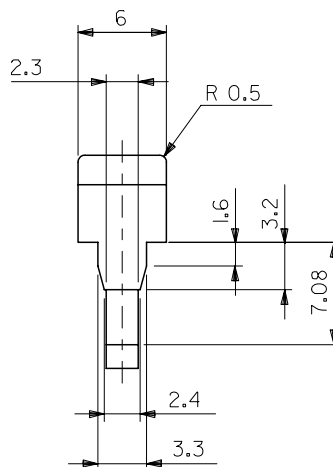
C

B

A



△キャビティ番号、金型番号
CAVITY NO. & MOLD NO.



注記
NOTES

- 1. 適合ハウジングアッセンブリ: 54559-**11, 54559-**41
APPLICABLE UPPER HSG ASS'Y : 54559-**11, 54559-**41
適合アッパーハウジング: 54560-**01
APPLICABLE STRAIN RELIEF : 54560-**01

△トレードマーク: MX プラス 製造工場を示すアルファベットにて構成
但し、* J * は JAPAN を示す。(例: MX J)
キャビティ番号: 数字で表示。
金型番号: アルファベットにて構成。

FORMED BY MX AND ALPHABET WHICH MEAN
THE MANUFACTORY, BUT "J" MEANS JAPAN. (TO TRADE MARK)
(e.g. MXJ)
AND BY NUMBERS (TO CAVITY NO.)
AND BY ALPHABET (TO MOLD NO.)

| | | | | | |
|-------|-------|-------|-------|--------------|------|
| 82.91 | 82.61 | 81.81 | 85.85 | 54561-6401 | 64 |
| 77.83 | 77.53 | 76.73 | 80.77 | 54561-6001 | 60 |
| 65.13 | 64.83 | 64.03 | 68.07 | 54561-5001 | 50 |
| 52.43 | 52.13 | 51.33 | 55.37 | 54561-4001 | 40 |
| 44.81 | 44.51 | 43.71 | 47.75 | 54561-3401 | 34 |
| 39.73 | 39.43 | 38.63 | 42.67 | 54561-3001 | 30 |
| 34.65 | 34.05 | 33.55 | 37.59 | 54561-2601 | 26 |
| 27.03 | 26.73 | 25.93 | 29.97 | 54561-2001 | 20 |
| 21.95 | 21.65 | 20.85 | 24.89 | 54561-1601 | 16 |
| 19.41 | 19.11 | 18.31 | 22.35 | 54561-1401 | 14 |
| 14.33 | 14.03 | 13.23 | 17.27 | 54561-1001 | 10 |
| D | C | B | A | MATERIAL NO. | CKT. |

| | |
|----------------------|-------------------------------------|
| 材料 MATERIAL | PBT , UL94V-0 (黒色) (COLOR BLACK) |
| 仕上げ FINISH | — # — |
| 適用電線範囲 WIRE RANGE | — # — |
| 被覆外径 INS. RANGE | — # — |

| | |
|-------------------|------------|
| REVISED | 2007/04/13 |
| EC NO: J2007-2853 | 2007/04/13 |
| DRW: MABEI | 2007/04/13 |
| CHKD: YMAEDA | 2007/04/13 |
| APPR: NUKITA | 2007/04/13 |
| J | |

| | |
|--|--------|
| GENERAL TOLERANCES (UNLESS SPECIFIED) | |
| 10 UNDER | ± 0.2 |
| 10 OVER 30 UNDER | ± 0.25 |
| 30 OVER | ± 0.3 |
| ANGULAR | ± 3 ° |
| DRAFT WHERE APPLICABLE MUST REMAIN WITHIN DIMENSIONS | |

| | |
|----------------------------|-----------|
| DIMENSION STYLE MM ONLY | |
| DRAWN BY | DATE |
| SMATSUZAKI | '99/03/04 |
| CHECKED BY | DATE |
| SKUNISHI | '03/08/06 |
| APPROVED BY | DATE |
| TYAMAGUCHI | '03/08/06 |
| MATERIAL NO. | |
| SEE CHART | |
| SIZE | A3 |

| | |
|--|--------------|
| SCALE | 3:1 |
| DESIGN UNITS | METRIC |
| MODEL NO. | 54561-**01 |
| THIRD ANGLE PROJECTION | |
| TITLE | |
| 2.54 FLAT CABLE CONN REC STRAIN RELIEF | |
| MOLEX MOLEX INCORPORATED | |
| DOCUMENT NO. | SD-54561-002 |
| SHEET NO. | 1 OF 1 |
| THIS DRAWING CONTAINS INFORMATION THAT IS PROPRIETARY TO MOLEX INCORPORATED AND SHOULD NOT BE USED WITHOUT WRITTEN PERMISSION | |