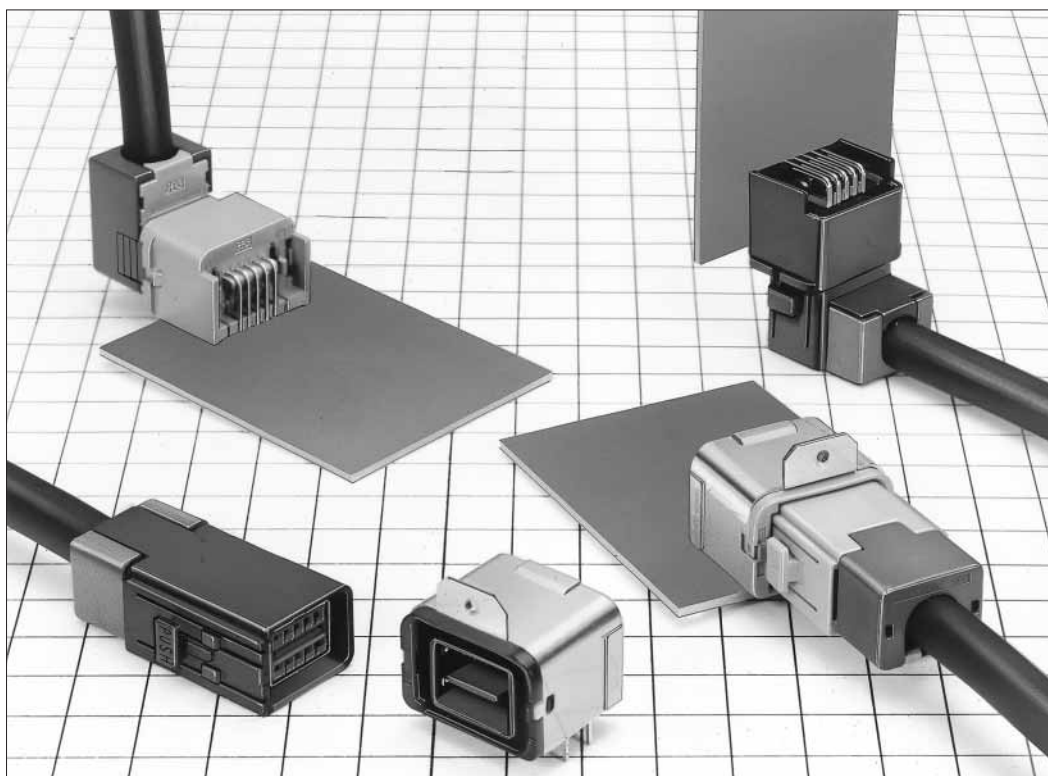


## Antenna, Sensor, and Communications Trunk Line Connections

[www.DataSheet4U.com](http://www.DataSheet4U.com)

# GT17 Series

— Ideal for high frequency Application —  
(as USB, LVDS, GVIF)



### ■ Features

- All surface shielded construction.

### ■ Applications

In-car data communications, etc.

Coaxial cable connection of Antennas, Sensors, and Communication Trunk Lines

GT 5

GT 13

GT 16

PO5G

GT 11

GT 14

GT 17

GT 19

GT 3

GT 6W

GT 7

GT 10

GT 18W

GT 15

GT 8

GT 9

GT 25

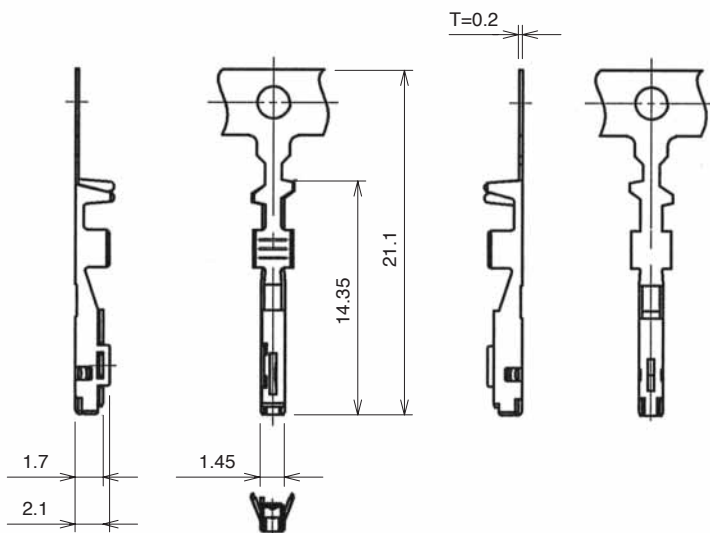
GT17 Series

Coaxial cable connection of Antennas, Sensors, and Communication Trunk Lines

[www.DataSheet4U.com](http://www.DataSheet4U.com)

## F Connectors

### Center Terminals (Used with 6, 8, and 10 conductor cable)

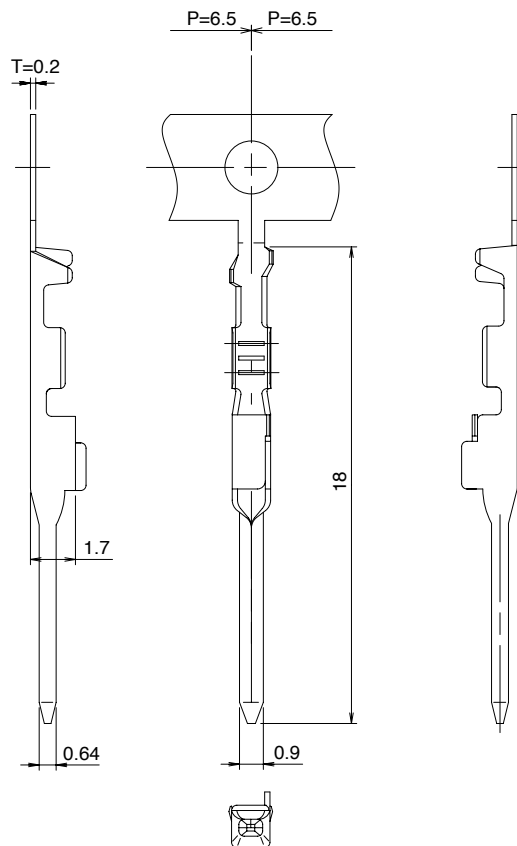
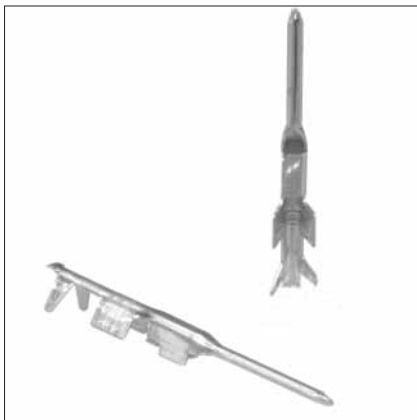


These are lead-free products.

Part Number	CL No.	Material	Finish	Conductor Size (AWG)	Outer Diameter	Packaging	RoHS
GT17-2022SCF	767-0009-0	Copper alloy	Tin plating	#20 to 22	1.1 to 1.3 mm	10,000 pcs. per reel	YES
GT17-2428SCF	767-0010-0	Copper alloy	Tin plating	#24 to 28	0.7 to 1.0 mm	10,000 pcs. per reel	
GT17-30SCF	767-0064-9	Copper alloy	Tin plating	#30	1.1 to 1.3 mm	10,000 pcs. per reel	
GT17B-2428SCF	767-0122-3	Copper alloy	Tin plating	#24 to 28	0.5 to 0.7 mm	10,000 pcs. per reel	

## M Connectors

### Center Terminals (Used with 6, 8, and 10 conductor cable)

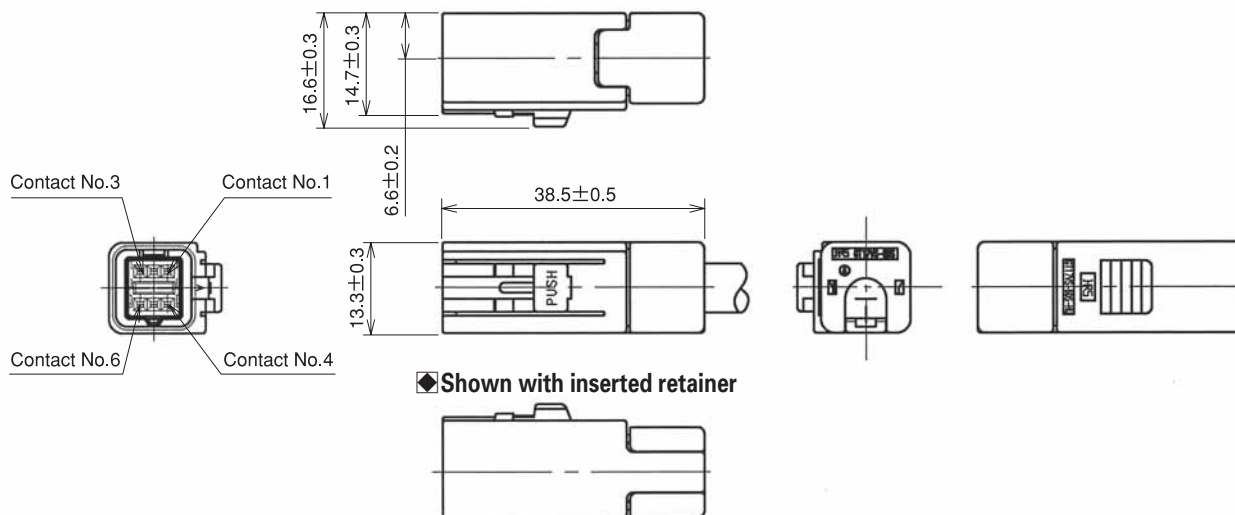


These are lead-free products.

Part Number	CL No.	Material	Finish	Conductor Size (AWG)	Outer Diameter	Packaging	RoHS
GT17-2022PCF	767-0082-0	Copper alloy	Tin plating	AWG#20~22	1.1 to 1.3 mm	10,000 pcs. per reel	YES
GT17-2428PCF	767-0076-8	Copper alloy	Tin plating	AWG#24~28	0.7 to 1.0 mm	10,000 pcs. per reel	
GT17A-2428PCF	767-0121-0	Copper alloy	Tin plating	AWG#24~28	1.1 to 1.3 mm	10,000 pcs. per reel	

## 6-Conductor Straight Connectors

By using each of the two differently keyed types of housing for different purposes, incorrect insertion can be prevented.



Shown with inserted retainer

The product comprises 6 parts.

(Housing, insulator, outer terminal, shield plate, retainer, and center terminal)

### Housing

Part Number	CL No.	Material / Finish or Color	Packaging	RoHS
GT17VS-6DS-HU	767-0051-7	PBT/Light Gray	1	YES
GT17VSA-6DS-HU	767-0052-0	PBT/Black	1	

### Insulator

Part Number	CL No.	Material / Finish or Color	Packaging	RoHS
GT17V-6DS-2C	767-0026-0	PBT/Dark Gray	1	YES

### Outer terminal

Part Number	CL No.	Material / Finish or Color	Packaging	Remarks	RoHS
GT17VS-6DS-5CF	767-0050-4	Copper alloy / Tin plating	1	Conductor Size 4.8 to 5.2mm	YES

### Shield plate

Part Number	CL No.	Material / Finish or Color	Packaging	RoHS
GT17VS-6DS-SC	767-0049-5	Copper alloy / Tin plating	1	YES

### Retainer

Part Number	CL No.	Material / Finish or Color	Packaging	RoHS
GT17VS-6DS-R	767-0053-2	PBT/Dark Gray	1	YES

### Center terminal

Used with 6, 8, and 10 conductor cable

### Mating Table

Color	Cable side connector	Board connector
Gray	GT17VS-6DS-HU	GT17V-6DP-DS(70)
		GT17VB-6DP-DS(70)
Black	GT17VSA-6DS-HU	GT17VA-6DP-DS(70)
		GT17VC-6DP-DS(70)

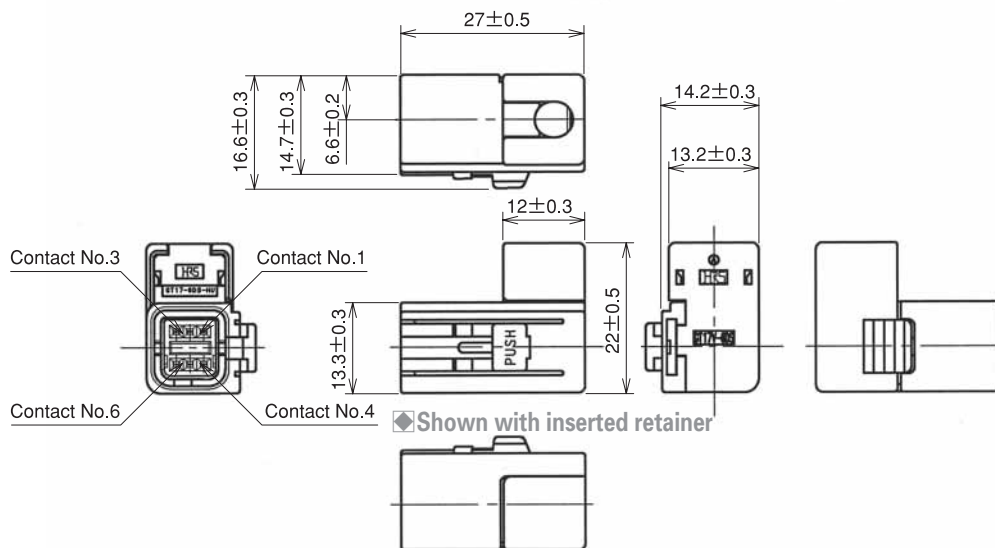
GT17 Series

www.DataSheet4U.com

Coaxial cable connection of Antennas, Sensors, and Communication Trunk Lines

## 6-Conductor Right-angle Connectors

By using each of the two differently keyed types of housing for different purposes, incorrect insertion can be prevented.



The product comprises 6 parts.

(Housing, insulator, outer terminal, shield plate, retainer, and center terminal)

● Housing

Part Number	CL No.	Material / Finish or Color	Packaging	RoHS
GT17V-6DS-HU	767-0029-8	PBT / Light Gray	1	YES
GT17VA-6DS-HU	767-0030-7	PBT / Black	1	

● Insulator

Part Number	CL No.	Material / Finish or Color	Packaging	RoHS
GT17V-6DS-2C	767-0026-0	PBT / Dark Gray	1	YES

● Outer terminal

Part Number	CL No.	Material / Finish or Color	Packaging	Remarks	RoHS
GT17V-6DS-5CF	767-0027-2	Copper alloy / Tin plating	1	Conductor Size 4.8 to 5.2mm	YES
GT17V-6DS-3.8CF	767-0075-5	Copper alloy / Tin plating	1	Conductor Size 3.8 to 4.2mm	

● Shield plate

Part Number	CL No.	Material / Finish or Color	Packaging	RoHS
GT17V-6DS-SC	767-0028-5	Copper alloy / Tin plating	1	YES

● Retainer

Part Number	CL No.	Material / Finish or Color	Packaging	RoHS
GT17V-6DS-R	767-0031-0	PBT / Dark Gray	1	YES

● Center terminal

Used with 6,8, and 10 conductor cable

◆ Mating Table

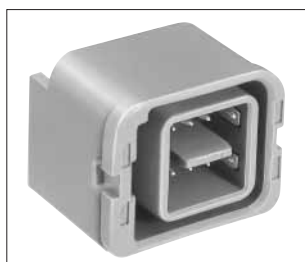
Color	Cable side connector	Board connector
Gray	GT17V-6DS-HU	GT17V-6DP-DS(70)(Cable exit direction, up side from mounting side)
		GT17VB-6DP-DS(70)(Cable exit direction, down side from mounting side)
Black	GT17VA-6DS-HU	GT17VA-6DP-DS(70)(Cable exit direction, up side from mounting side)
		GT17VC-6DP-DS(70)(Cable exit direction, down side from mounting side)

## 6-Conductor Printed Circuit Board Connectors

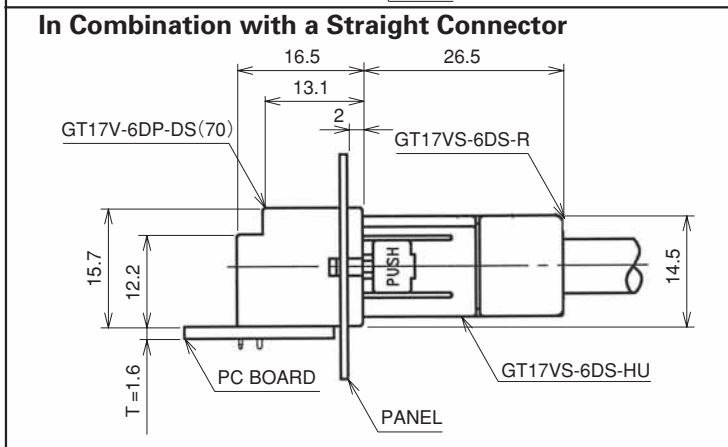
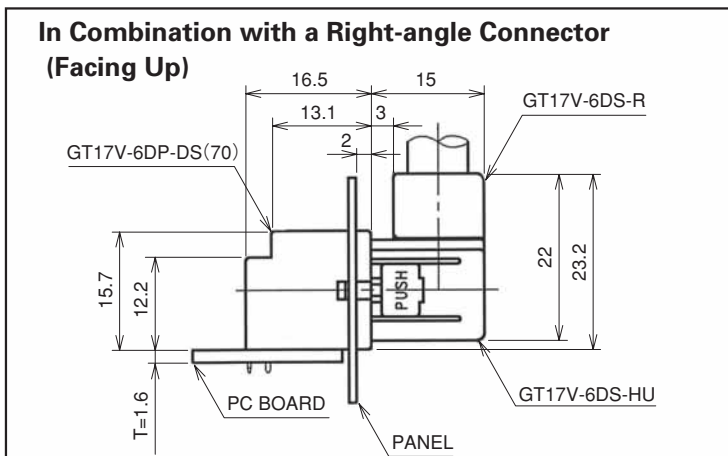
By using each of the two differently keyed types of housing for different purposes, incorrect insertion can be prevented.

● Cable extraction facing up

Part Number	CL No.	Material / Finish or Color	Packaging	RoHS
GT17V-6DP-DS(70)	767-0024-4-70	Housing: PBT/Light gray Center terminal: Brass /Tin plating Outer terminal: Copper alloy /Tin plating	1	YES

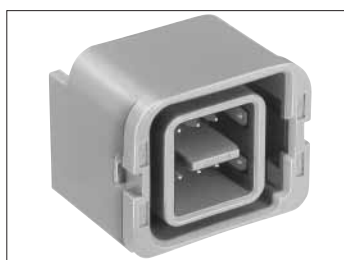


**GT17V-6DP-DS(70)**

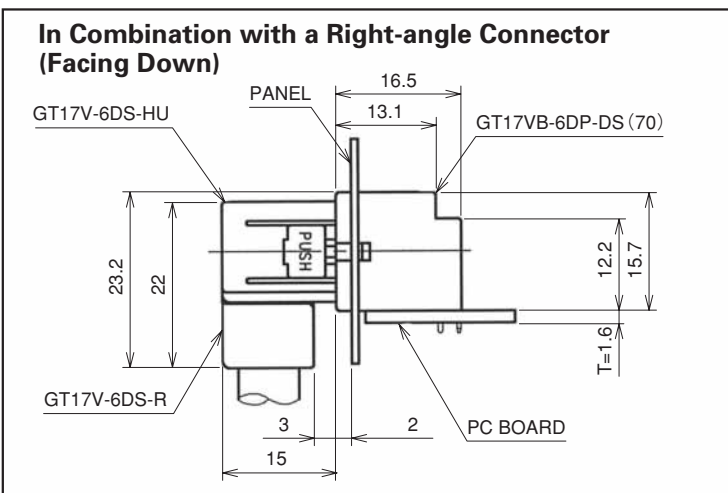


● Cable extraction facing down

Part Number	CL No.	Material / Finish or Color	Packaging	RoHS
GT17VB-6DP-DS(70)	767-0032-2-70	Housing: PBT/Light gray Center terminal: Brass /Tin plating Outer terminal: Copper alloy /Tin plating	1	YES



**GT17VB-6DP-DS(70)**



GT17 Series

[www.DataSheet4U.com](http://www.DataSheet4U.com)

Coaxial cable connection of Antennas, Sensors, and Communication Trunk Lines

## 6-Conductor Printed Circuit Board Connectors

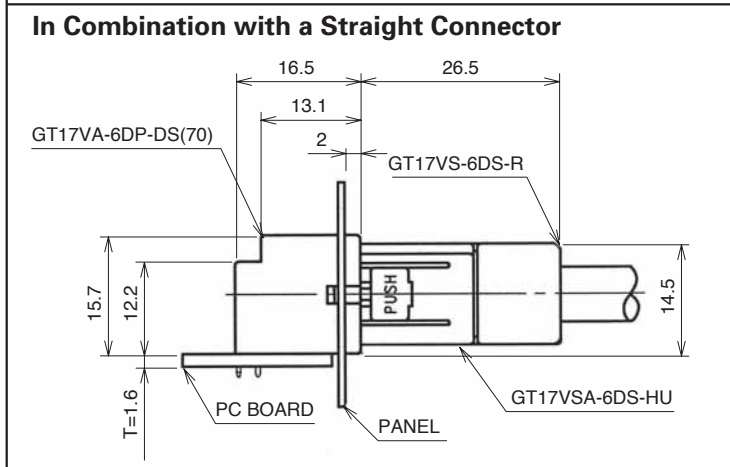
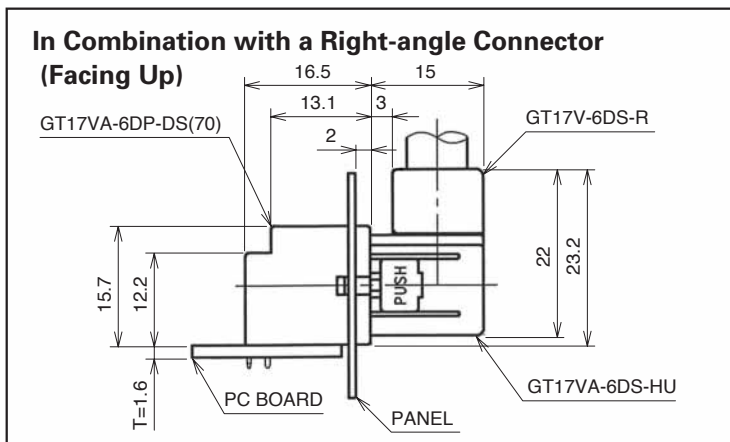
By using each of the two differently keyed types of housing for different purposes, incorrect insertion can be prevented.

● Cable extraction facing up

Part Number	CL No.	Material / Finish or Color	Packaging	RoHS
GT17VA-6DP-DS(70)	767-0025-7-70	Housing: PBT/Black Center terminal: Brass /Tin plating Outer terminal: Copper alloy /Tin plating	1	YES



GT17VA-6DP-DS(70)

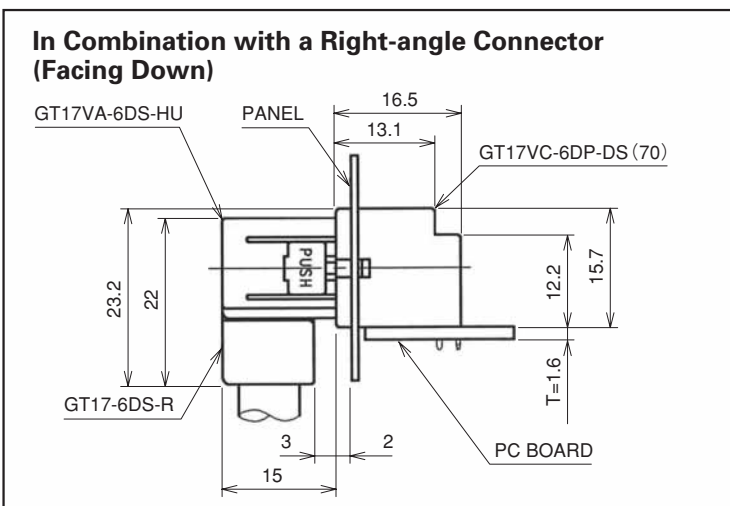


● Cable extraction facing down

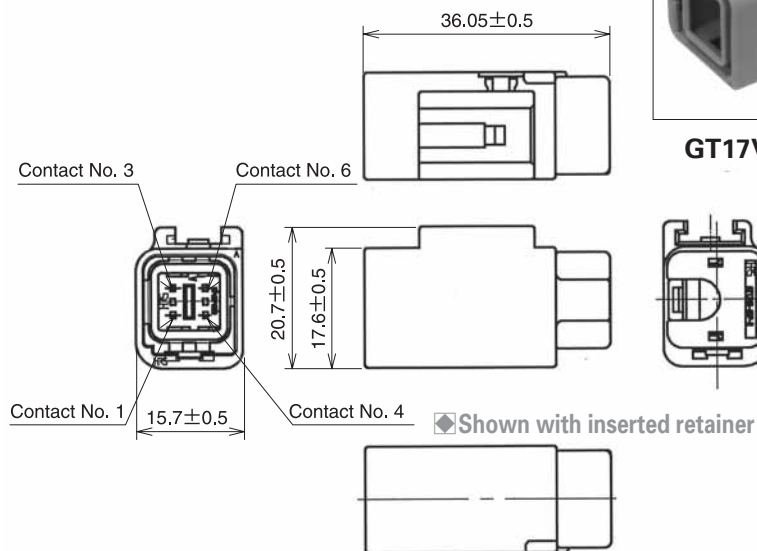
Part Number	CL No.	Material / Finish or Color	Packaging	RoHS
GT17VC-6DP-DS(70)	767-0033-5-70	Housing: PBT/Black Center terminal: Brass /Tin plating Outer terminal: Copper alloy /Tin plating	1	YES



GT17VC-6DP-DS(70)



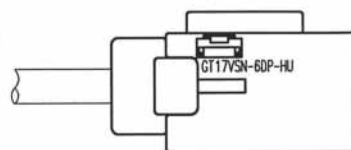
## 6-Conductor Inline Connectors



GT17VSN-6DP-HU



GT17VSV-6DP-HU



◆ The product comprises 6 parts.

(Housing, insulator, outer terminal, shield plate, retainer, and center terminal)

● Housing

Part Number	CL No.	Material / Finish or Color	Packaging	RoHS
GT17VSN-6DP-HU	767-0077-0	PBT / Light Gray	1	YES
GT17VSV-6DP-HU	767-0128-0	PBT / Light Gray	1	

● Insulator

Part Number	CL No.	Material / Finish or Color	Packaging	RoHS
GT17V-6DP-2C	767-0078-3	PBT / Dark Gray	1	YES

● Outer terminal

Part Number	CL No.	Material / Finish or Color	Packaging	Remarks	RoHS
GT17VS-6DP-5CF	767-0080-5	Copper alloy / Tin plating	1	Conductor Size 4.8 to 5.2mm	YES

● Shield plate

Part Number	CL No.	Material / Finish or Color	Packaging	RoHS
GT17VS-6DP-SC	767-0079-6	Copper alloy / Tin plating	1	YES

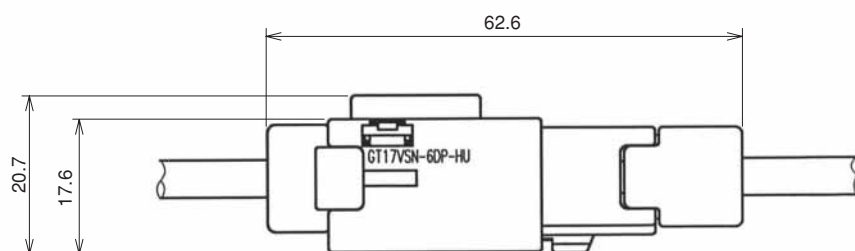
● Retainer

Part Number	CL No.	Material / Finish or Color	Packaging	RoHS
GT17VS-6DP-R	767-0081-8	PBT / Dark Gray	1	YES

● Center terminal

Used with 6,8, and 10 conductor cable

### GT17 6-Conductor Inline Connector Mounting Condition



GT17 Series

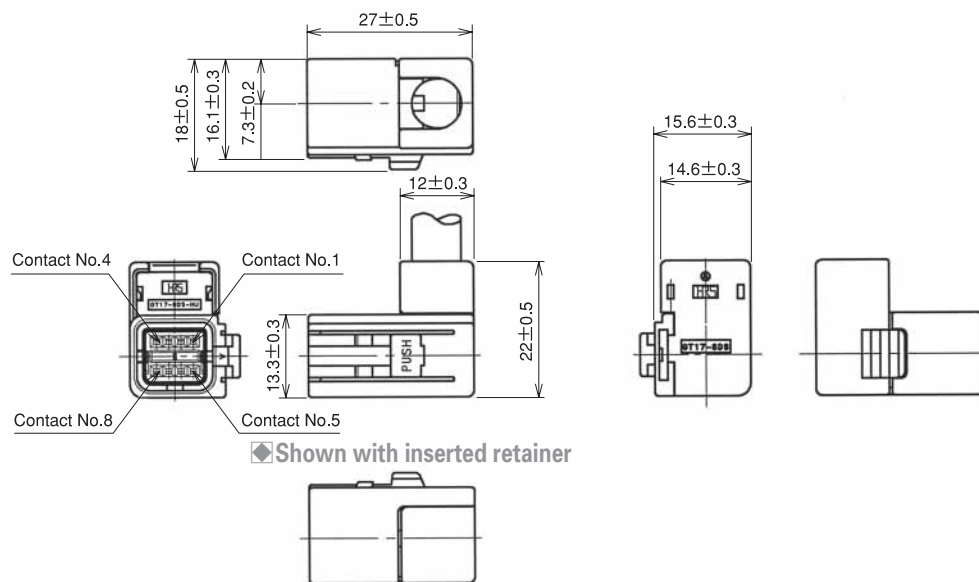
www.DataSheet4U.com

Coaxial cable connection of Antennas, Sensors, and Communication Trunk Lines

GT 13  
GT 16  
PO5G  
GT 11  
GT 14  
GT 17  
GT 19  
GT 3  
GT 6W  
GT 7  
GT 10  
GT 18W  
GT 15  
GT 8  
GT 9  
GT 25

## 8-Conductor Right-angle Connectors

By using each of the two differently keyed types of housing for different purposes, incorrect insertion can be prevented.



The product comprises 6 parts.  
 (Housing, insulator, outer terminal, shield plate, retainer, and center terminal)

● Housing

Part Number	CL No.	Material / Finish or Color	Packaging	RoHS
GT17-8DS-HU	767-0003-4	PBT / Light Gray	1	YES
GT17A-8DS-HU	767-0004-7	PBT / Black	1	

● Insulator

Part Number	CL No.	Material / Finish or Color	Packaging	RoHS
GT17-8DS-2C	767-0005-0	PBT / Dark Gray	1	YES

● Outer terminal

Part Number	CL No.	Material / Finish or Color	Packaging	Remarks	RoHS
GT17-8DS-7CF(70)	767-0007-5-70	Phosphor bronze / Tin plating	1	Conductor Size 6.8 to 7.2mm	YES

● Shield plate

Part Number	CL No.	Material / Finish or Color	Packaging	RoHS
GT17-8DS-SC(70)	767-0006-2-70	Copper alloy / Tin plating	1	YES

● Retainer

Part Number	CL No.	Material / Finish or Color	Packaging	RoHS
GT17-8DS-R	767-0008-8	PBT / Dark Gray	1	YES

● Center terminal

Used with 6,8, and 10 conductor cable

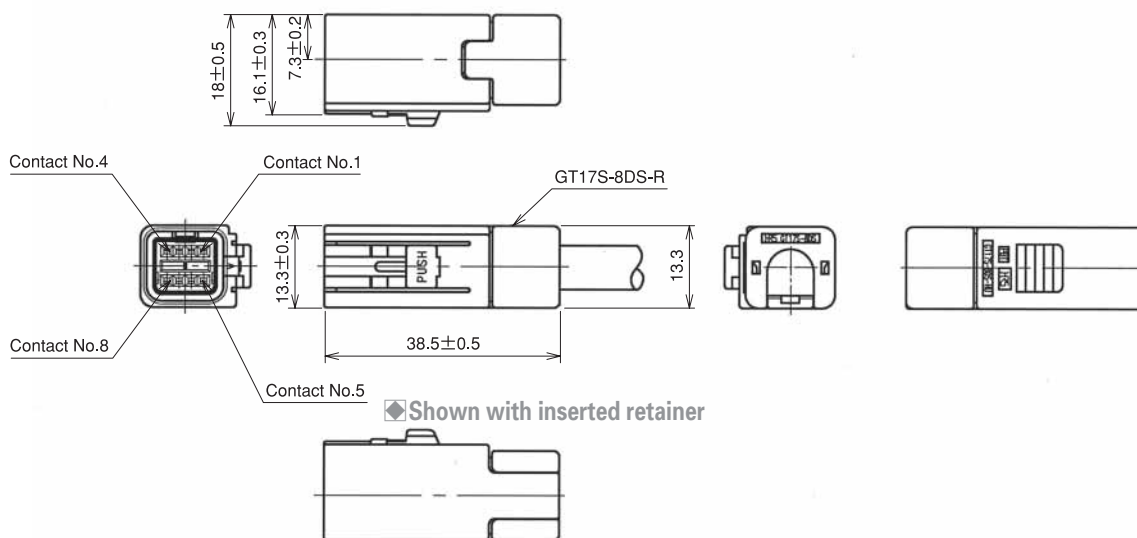
◆ Mating Table

Color	Cable side connector	Board connector
Gray	GT17-8DS-HU	GT17V-8DP-DS(Cable exit direction, up side from mounting side)
		GT17VB-8DP-DS(Cable exit direction, down side from mounting side)
Black	GT17A-8DS-HU	GT17VA-8DP-DS(Cable exit direction, up side from mounting side)
		GT17VC-8DP-DS(Cable exit direction, down side from mounting side)



## 8-Conductor Straight Connectors

◆ By using each of the two differently keyed types of housing for different purposes, incorrect insertion can be prevented.



◆ The product comprises 6 parts.

(Housing, insulator, outer terminal, shield plate, retainer, and center terminal)

● Housing

Part Number	CL No.	Material / Finish or Color	Packaging	RoHS
GT17S-8DS-HU	767-0108-2	PBT / Light Gray	1	YES
GT17SA-8DS-HU	767-0109-5	PBT / Black	1	

● Insulator

Part Number	CL No.	Material / Finish or Color	Packaging	RoHS
GT17-8DS-2C	767-0005-0	PBT / Dark Gray	1	YES

● Outer terminal

Part Number	CL No.	Material / Finish or Color	Packaging	Remarks	RoHS
GT17S-8DS-7CF	767-0106-7	Copper alloy / Tin plating	1	Conductor Size 6.8 to 7.2mm	YES

● Shield plate

Part Number	CL No.	Material / Finish or Color	Packaging	RoHS
GT17S-8DS-SC	767-0107-0	Copper alloy / Tin plating	1	YES

● Retainer

Part Number	CL No.	Material / Finish or Color	Packaging	RoHS
GT17S-8DS-R	767-0110-4	PBT / Dark Gray	1	YES

● Center terminal

Used with 6, 8, and 10 conductor cable

◆ Mating Table

Color	Cable side connector	Board connector
Gray	GT17S-8DS-HU	GT17V-8DP-DS(Cable exit direction, up side from mounting side)
		GT17VB-8DP-DS(Cable exit direction, down side from mounting side)
Black	GT17SA-8DS-HU	GT17VA-8DP-DS(Cable exit direction, up side from mounting side)
		GT17VC-8DP-DS(Cable exit direction, down side from mounting side)

GT17 Series

Coaxial cable connection of Antennas, Sensors, and Communication Trunk Lines

[www.DataSheet4U.com](http://www.DataSheet4U.com)

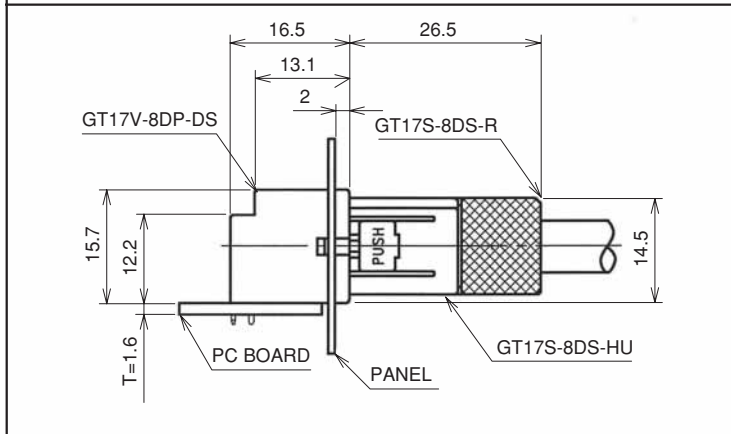
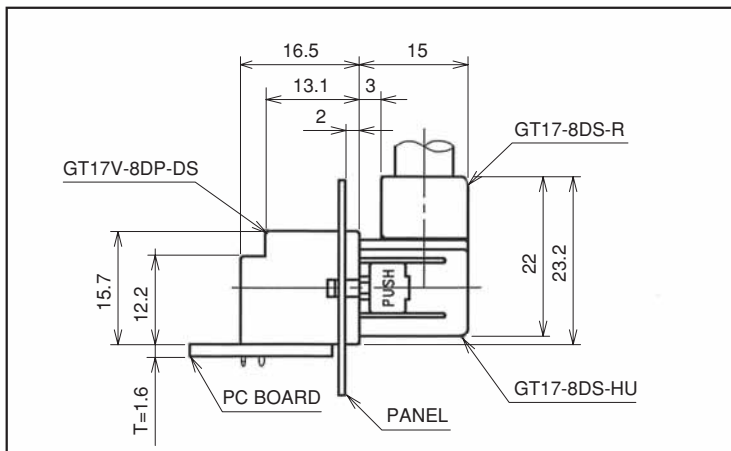
## 8-Conductor Printed Circuit Board Connectors

● Cable extraction facing up

Part Number	CL No.	Material / Finish or Color	Packaging	RoHS
GT17V-8DP-DS	767-0139-6	Housing: PBT/Light gray Center terminal: Brass /Tin plating Outer terminal: Copper alloy /Tin plating	1	YES



**GT17V-8DP-DS**



● Cable extraction facing down

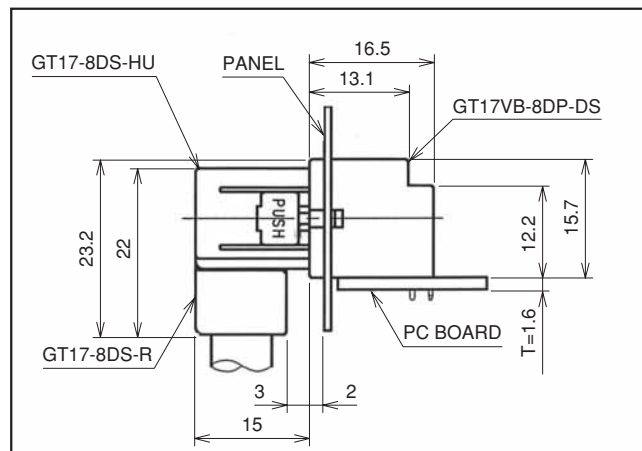
Part Number	CL No.	Material / Finish or Color	Packaging	RoHS
GT17VB-8DP-DS	767-0185-3	Housing: PBT/Light gray Center terminal: Brass /Tin plating Outer terminal: Copper alloy /Tin plating	1	YES
GT17VB-8DP-DS-SB	767-0123-6	Housing: PBT/Light gray Center terminal/Shield case: Brass /Tin plating Outer terminal: Copper alloy /Tin plating	1	



**GT17VB-8DP-DS**



**GT17VB-8DP-DS-SB**



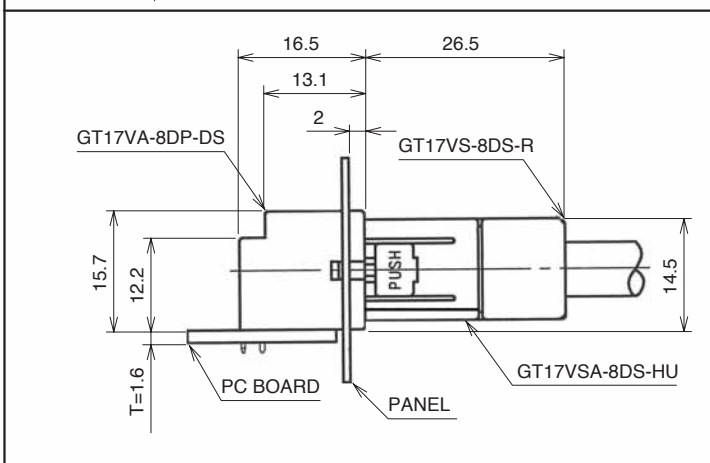
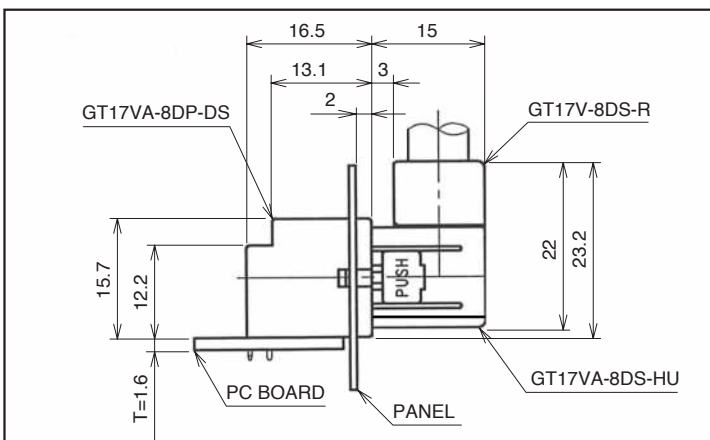
## 8-Conductor Printed Circuit Board Connectors

● Cable extraction facing up

Part Number	CL No.	Material / Finish or Color	Packaging	RoHS
GT17VA-8DP-DS	767-0200-5	Housing: PBT/Black Center terminal: Brass /Tin plating Outer terminal: Copper alloy /Tin plating	1	YES



**GT17VA-8DP-DS**

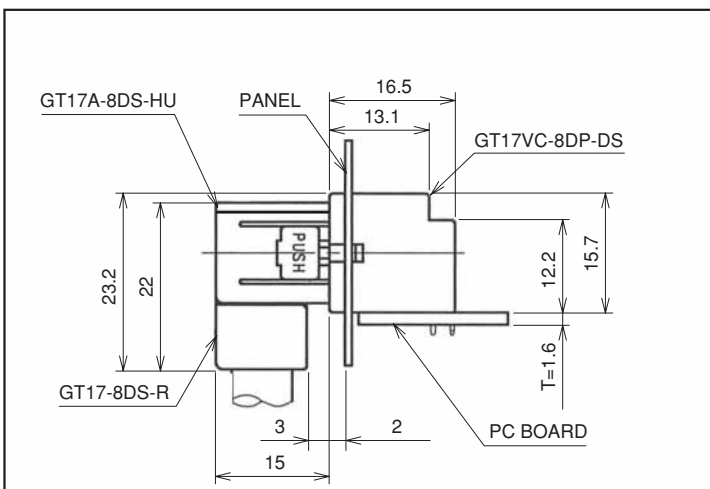


● Cable extraction facing down

Part Number	CL No.	Material / Finish or Color	Packaging	RoHS
GT17VC-8DP-DS	767-0199-8	Housing: PBT/Black Center terminal: Brass /Tin plating Outer terminal: Copper alloy /Tin plating	1	YES
GT17VC-8DP-DS-SB	767-0124-9	Housing: PBT//Black Center terminal/Shield case: Brass /Tin plating Outer terminal: Copper alloy /Tin plating	1	



**GT17VC-8DP-DS**



Coaxial cable connection of Antennas, Sensors, and Communication Trunk Lines  
 GT 5  
 GT 13  
 GT 16  
 PO5G  
 GT 11  
 GT 14  
**GT 17**  
 GT 19  
 GT 3  
 GT 6W  
 GT 7  
 GT 10  
 GT 18W  
 GT 15  
 GT 8  
 GT 9  
 GT 25

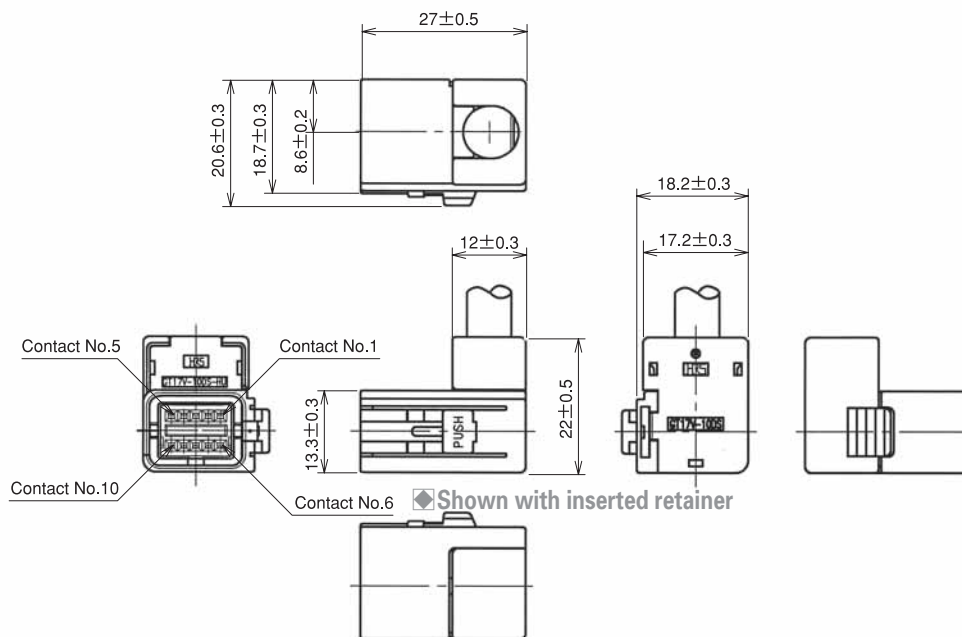
GT17 Series

Coaxial cable connection of Antennas, Sensors, and Communication Trunk Lines

www.DataSheet4U.com

## 10-Conductor Right-angle Connectors

By using each of the two differently keyed types of housing for different purposes, incorrect insertion can be prevented.



The product comprises 6 parts.

(Housing, insulator, outer terminal, shield plate, retainer, and center terminal)

● Housing

Part Number	CL No.	Material / Finish or Color	Packaging	RoHS
GT17V-10DS-HU	767-0039-1	PBT / Light Gray	1	YES
GT17VA-10DS-HU	767-0040-0	PBT / Black	1	

● Insulator

Part Number	CL No.	Material / Finish or Color	Packaging	RoHS
GT17V-10DS-2C	767-0036-3	PBT / Dark Gray	1	YES

● Outer terminal

Part Number	CL No.	Material / Finish or Color	Packaging	Remarks	RoHS
GT17V-10DS-8CF	767-0037-6	Copper alloy / Tin plating	1	Conductor Size 7.5 to 8.0mm	YES

● Shield plate

Part Number	CL No.	Material / Finish or Color	Packaging	RoHS
GT17V-10DS-SC	767-0038-9	Copper alloy / Tin plating	1	YES

● Retainer

Part Number	CL No.	Material / Finish or Color	Packaging	RoHS
GT17V-10DS-R	767-0041-3	PBT / Dark Gray	1	YES

● Center terminal

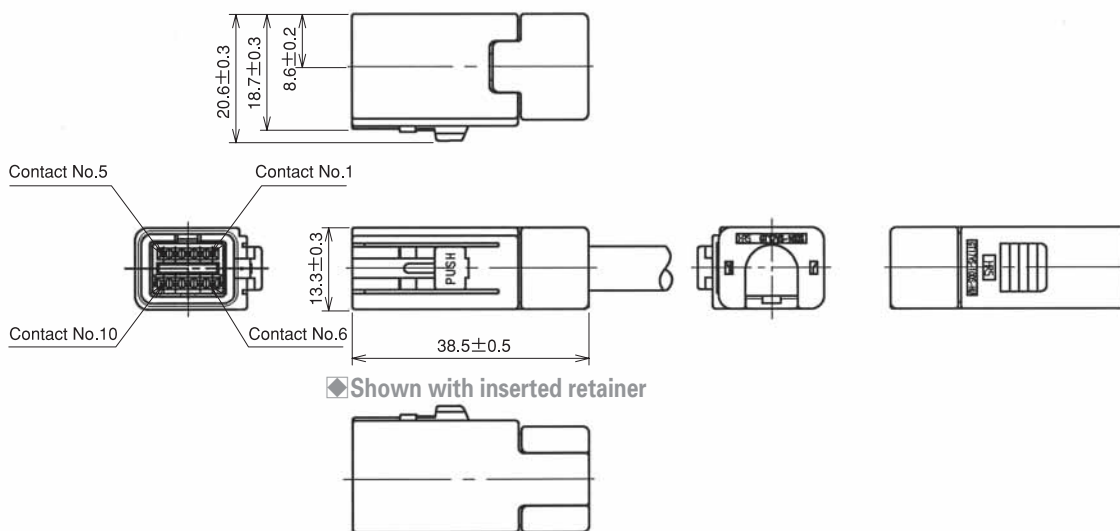
Used with 6,8, and 10 conductor cable

◆ Mating Table

Color	Cable side connector	Board connector
Gray	GT17V-10DS-HU	GT17V-10DP-DS(70)(Cable exit direction, up side from mounting side)
		GT17V-10DP-DSA(70)(straight DIP type)
		GT17V-10DP-DS-SB(70)(Cable exit direction, up side from mounting side)
Black	GT17VA-10DS-HU	GT17VA-10DP-DS(70)(Cable exit direction, up side from mounting side)
		GT17VA-10DP-DSA(70)(straight DIP type)
		GT17VA-10DP-DS-SB(70)(Cable exit direction, up side from mounting side)

## 10-Conductor Straight Connectors

◆ By using each of the two differently keyed types of housing for different purposes, incorrect insertion can be prevented.



◆ The product comprises 6 parts.

(Housing, insulator, outer terminal, shield plate, retainer, and center terminal)

● Housing

Part Number	CL No.	Material / Finish or Color	Packaging	RoHS
GT17VS-10DS-HU	767-0061-0	PBT / Light Gray	1	YES
GT17VSA-10DS-HU	767-0062-3	PBT / Black	1	

● Insulator

Part Number	CL No.	Material / Finish or Color	Packaging	RoHS
GT17V-10DS-2C	767-0036-3	PBT / Dark Gray	1	YES

● Outer terminal

Part Number	CL No.	Material / Finish or Color	Packaging	Remarks	RoHS
GT17VS-10DS-8CF	767-0059-9	Copper alloy / Tin plating	1	Conductor Size 7.5 to 8.0mm	YES

● Shield plate

Part Number	CL No.	Material / Finish or Color	Packaging	RoHS
GT17VS-10DS-SC	767-0060-8	Copper alloy / Tin plating	1	YES

● Retainer

Part Number	CL No.	Material / Finish or Color	Packaging	RoHS
GT17VS-10DS-R	767-0063-6	PBT / Dark Gray	1	YES

● Center terminal

Used with 6, 8, and 10 conductor cable

◆ Mating Table

Color	Cable side connector	Board connector
Gray	GT17VS-10DS-HU	GT17V-10DP-DS(70)
		GT17V-10DP-DSA(70)
		GT17V-10DP-DS-SB(70)
Black	GT17VSA-10DS-HU	GT17VA-10DP-DS(70)
		GT17VA-10DP-DSA(70)
		GT17VA-10DP-DS-SB(70)

GT17 Series

Coaxial cable connection of Antennas, Sensors, and Communication Trunk Lines

[www.DataSheet4U.com](http://www.DataSheet4U.com)

## 10-Conductor Printed Circuit Board Connectors

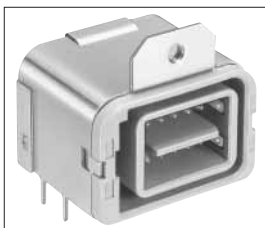
By using each of the two differently keyed types of housing for different purposes, incorrect insertion can be prevented.

● Right-angle type

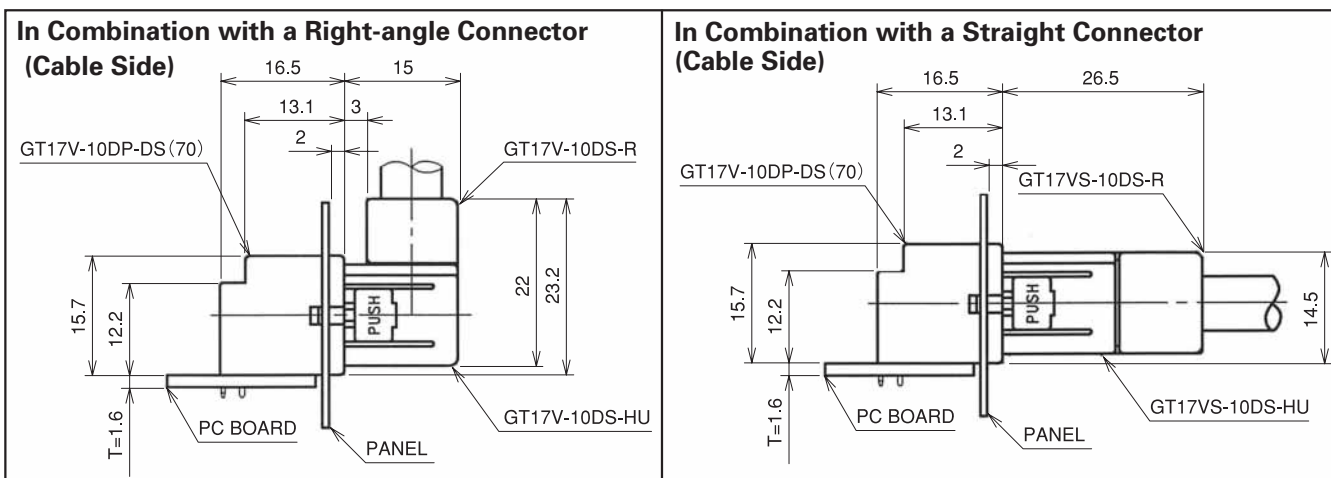
Part Number	CL No.	Material / Finish or Color	Packaging	Note	RoHS
GT17V-10DP-DS(70)	767-0034-8-70	Housing: PBT/Light gray Center terminal: Brass /Tin plating Outer tube terminal: Copper alloy /Tin plating	1	Products with enhanced shielding	YES
GT17V-10DP-DS-SB(70)	767-0069-2-70	Housing: PBT/Light gray Center terminal/Shield case: Brass /Tin plating Outer tube terminal: Copper alloy /Tin plating	1		



GT17V-10DP-DS(70)

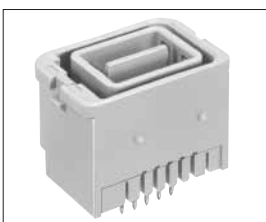


GT17V-10DP-DS-SB(70)



● Straight-type

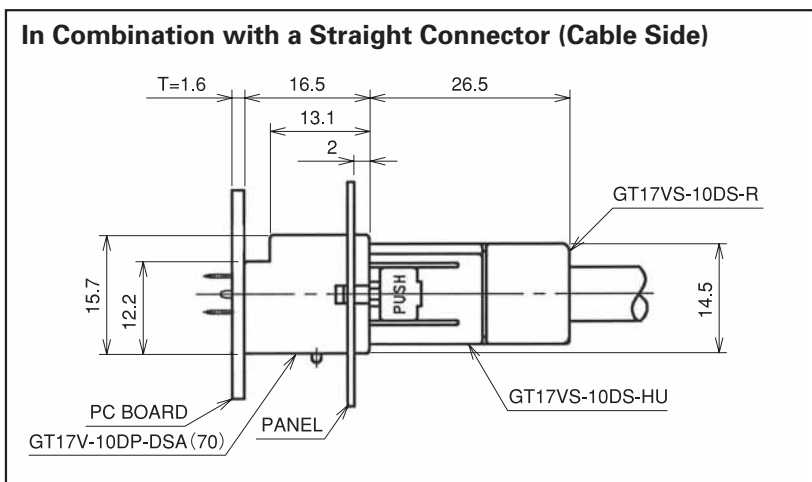
Part Number	CL No.	Material / Finish or Color	Packaging	RoHS
GT17V-10DP-DSA(70)	767-0067-7-70	Housing: PBT/Black Center terminal: Brass /Tin plating Outer terminal: Copper alloy /Tin plating	1	YES
GT17V-10DP-DSA-SB	767-0154-0	Housing: PBT/Black Center terminal: Brass /Tin plating Outer terminal: Copper alloy /Tin plating	1	



GT17V-10DP-DSA(70)



GT17V-10DP-DSA-SB



www.DataSheet4U.com

## 10-Conductor Printed Circuit Board Connectors

By using each of the two differently keyed types of housing for different purposes, incorrect insertion can be prevented.

● Right-angle type

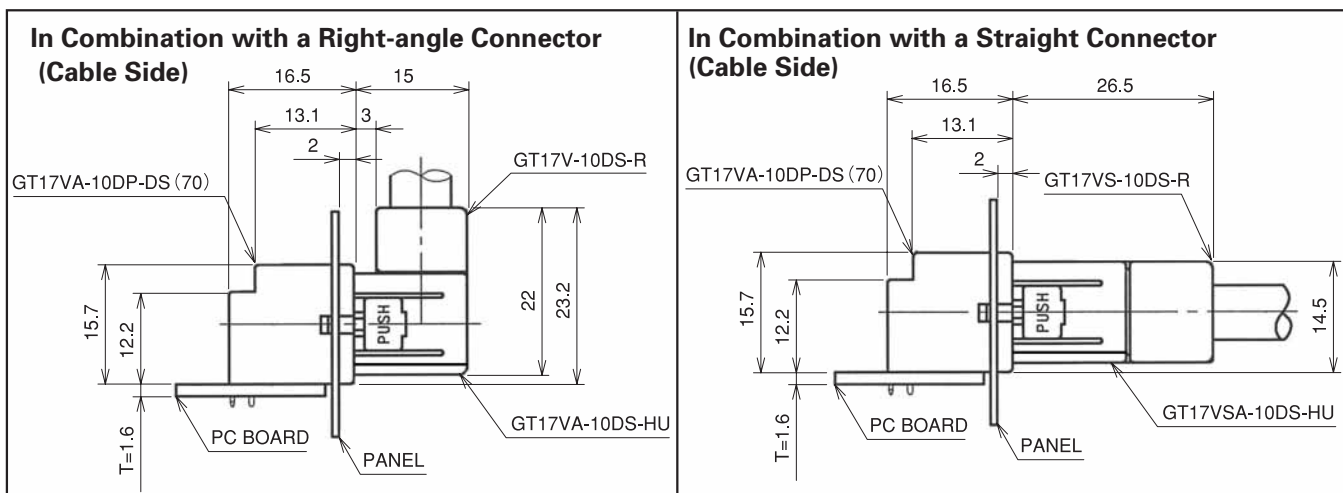
Part Number	CL No.	Material / Finish or Color	Packaging	Note	RoHS
GT17VA-10DP-DS(70)	767-0035-0-70	Housing: PBT/Black Center terminal: Brass /Tin plating Outer terminal: Copper alloy /Tin plating	1	Products with enhanced shielding	YES
GT17VA-10DP-DS-SB(70)	767-0070-1-70	Housing: PBT/Black Center terminal/Shield case: Brass /Tin plating Outer terminal: Copper alloy /Tin plating	1		



GT17VA-10DP-DS(70)

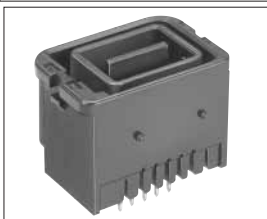


GT17VA-10DP-DS-SB(70)



● Straight-type

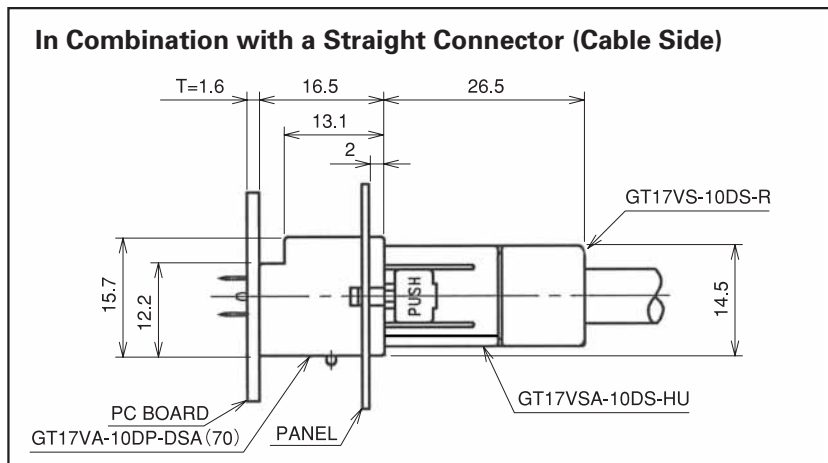
Part Number	CL No.	Material / Finish or Color	Packaging	RoHS
GT17V-10DP-DSA(70)	767-0068-0-70	Housing: PBT/Black Center terminal: Brass /Tin plating Outer terminal: Copper alloy /Tin plating	1	YES
GT17V-10DP-DSA-SB	767-0174-7	Housing: PBT/Black Center terminal/Shield case: Brass /Tin plating Outer terminal: Copper alloy /Tin plating	1	



GT17VA-10DP-DSA(70)



GT17VA-10DP-DSA-SB



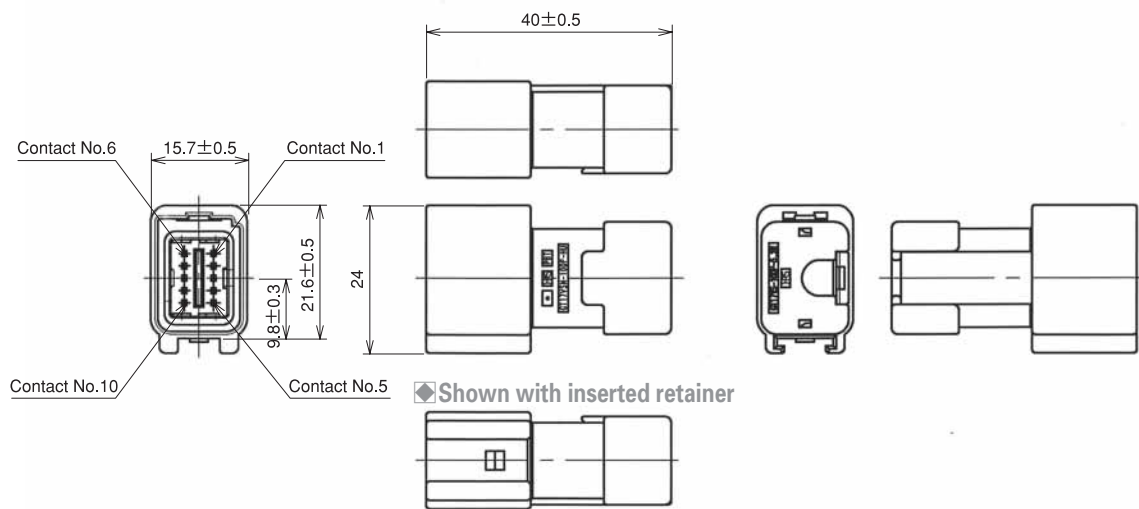
Coaxial cable connection of Antennas, Sensors, and Communication Trunk Lines  
 GT 5  
 GT 13  
 GT 16  
 PO5G  
 GT 11  
 GT 14  
 GT 17  
 GT 19  
 GT 3  
 GT 6W  
 GT 7  
 GT 10  
 GT 18W  
 GT 15  
 GT 8  
 GT 9  
 GT 25

GT17 Series

Coaxial cable connection of Antennas, Sensors, and Communication Trunk Lines

[www.DataSheet4U.com](http://www.DataSheet4U.com)

# 10-Conductor Inline Connectors



◆ The product comprises 6 parts.

(Housing, insulator case, outer terminal, shield plate, retainer, and center terminal)

● Housing

Part Number	CL No.	Material / Finish or Color	Packaging	RoHS
GT17VSN-10DP-HU	767-0115-8	PBT / Light Gray	1	YES

● Insulator

Part Number	CL No.	Material / Finish or Color	Packaging	RoHS
GT17V-10DP-2C	767-0112-0	PBT / Dark Gray	1	YES

● Outer terminal

Part Number	CL No.	Material / Finish or Color	Packaging	Remarks	RoHS
GT17VS-10DP-5.2CF	767-0114-5	Copper alloy / Tin plating	pack	1224pcs per pack	YES
GT17VS-10DP-8CF	767-0130-1	Copper alloy / Tin plating	pack	1224pcs per pack	

● Shield plate

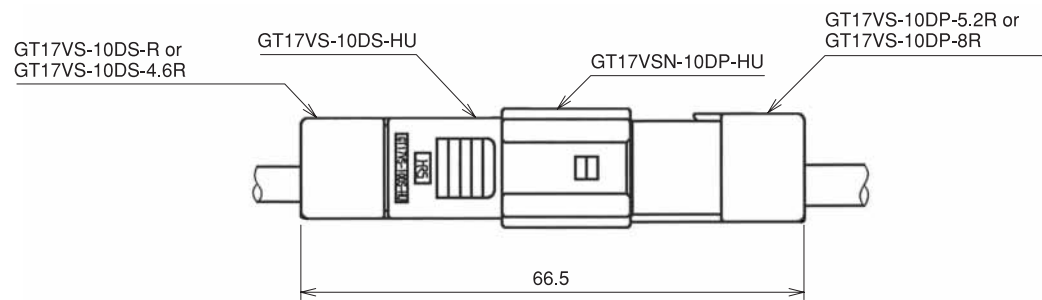
Part Number	CL No.	Material / Finish or Color	Packaging	RoHS
GT17VS-10DP-SC	767-0113-2	Copper alloy / Tin plating	1	YES

● Retainer

Part Number	CL No.	Material / Finish or Color	Packaging	RoHS
GT17VS-10DP-5.2R	767-0111-7	PBT / Light Gray	1	YES
GT17VS-10DP-8R	767-0131-4	PBT / Light Gray	1	

● Center terminal

Used with 6,8, and 10 conductor cable

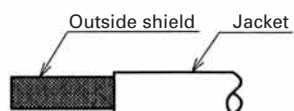


◆ Fully mated connector assemblies

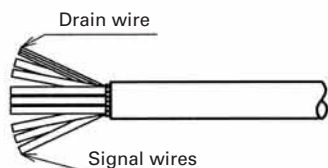


◆ **Wiring Method**

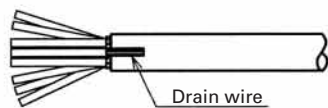
① **Strip the Jacket.**



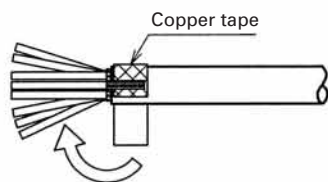
② **Cut the shield and intermediate material to expose the wire and braid.**



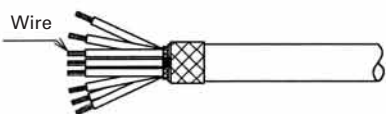
③ **Bend back the drain wire over the Jacket.**



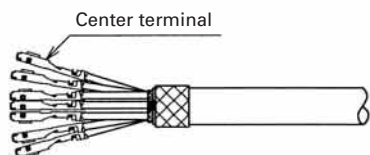
④ **Wrap with copper tape.**



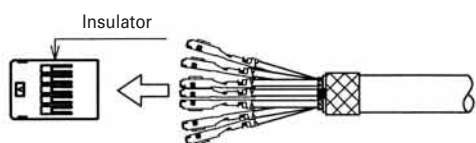
⑤ **Strip the wire leads.**



⑥ **Crimp the center terminals.**

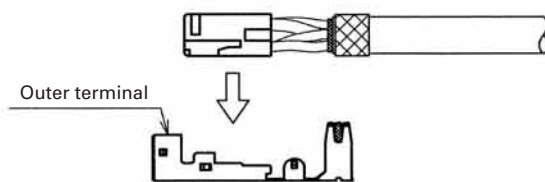


⑦ **Insert the center terminals into the insulator.**

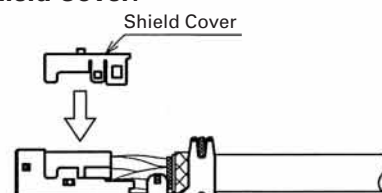


**GT17V-10DS-HU Harness Finish**

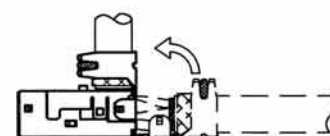
⑧ **Insert the insulator into the Outer terminal.**



⑨ **Insert the Shield Cover.**



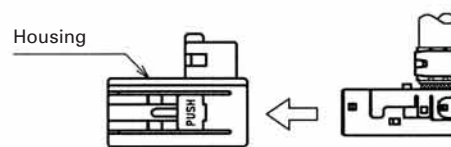
⑩ **Fold back the Outer terminal.**



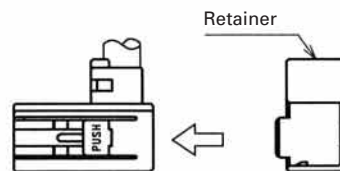
⑪ **Crimp the Outer terminal.**



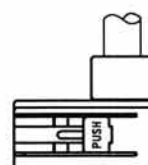
⑫ **Insert the Outer terminal into the housing.**



⑬ **Insert the retainer.**



⑭ **Completion**



GT17 Series

[www.DataSheet4U.com](http://www.DataSheet4U.com)

Coaxial cable connection of Antennas, Sensors, and Communication Trunk Lines

GT 3

GT 6W

GT 7

GT 10

GT 18W

GT 15

GT 8

GT 9

GT 25

GT 19

GT 17

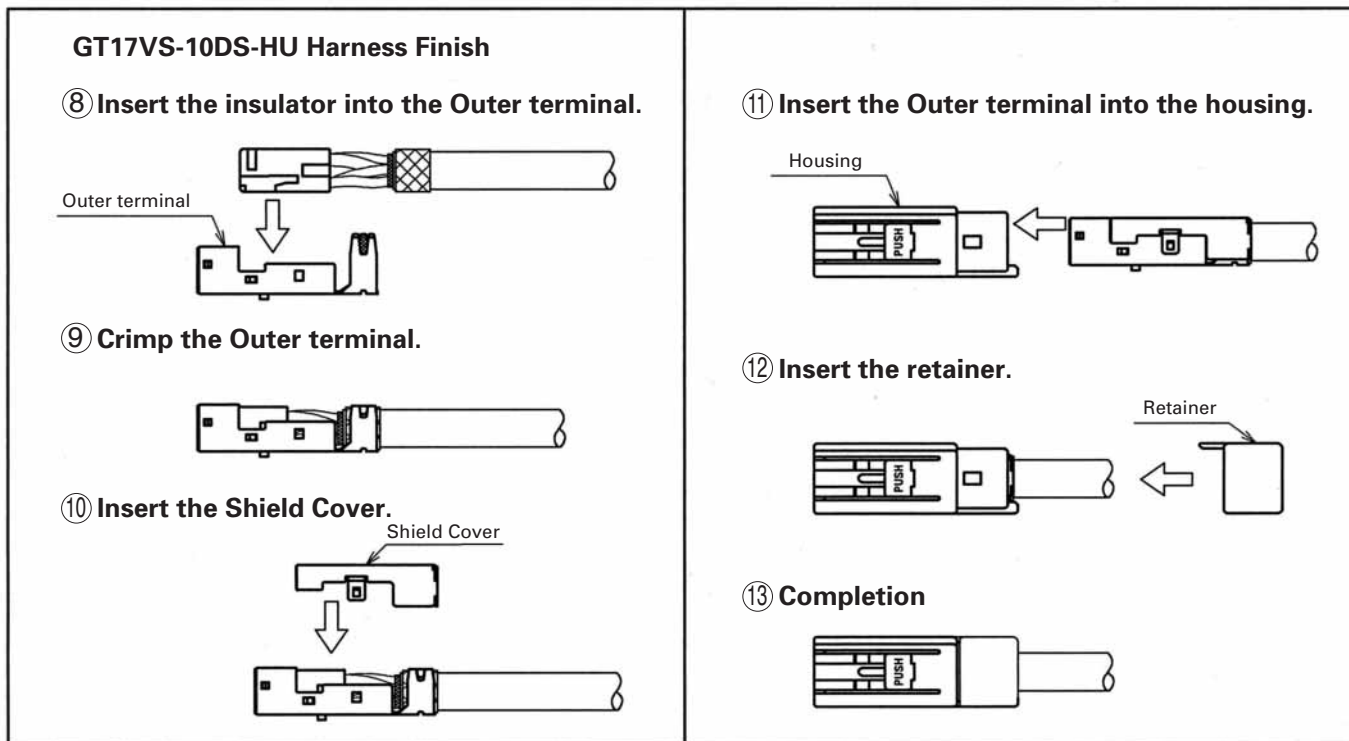
GT 14

GT 11

PO5G

GT 16

GT 13



◆ Termination Tools

User's manuals are available. Please ask your Hirose Electric account representative.

◆ Specifications

Item	Specification	Remarks
Specification	1.5ton	
Stroke Length	30mm	
Number of strokes	200spm (50Hz)	240spm (60Hz)
Weight	75kg	
Motor	0.2kW	AC100V
Crimping speed	2000 to 4000 pcs. per hour	

Automatic Crimping Machine



Part Number CM-105

Hand Press



◆ Harness Tools

Product Number	HRS No.	Applicator Product Number
GT17-2022SCF	901-5083-5	AP105-GT17-2022S
GT17-2428SCF	901-5084-8	AP105-GT17-2428S
GT17-30SCF	901-5107-1	AP105-GT17-30S

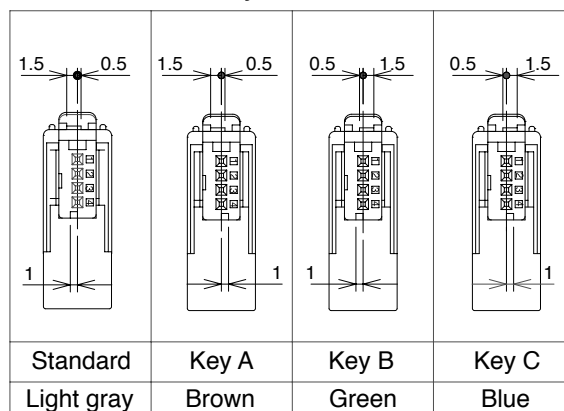
Product Number	HRS No.	Type	Applicator Product Number
GT17H-4S-5CF	767-0087-4	ANGLE	GT17H-4S-5CF/CR-MP
GT17HS-4S-5CF	767-0165-5	STRAIGHT	
GT17V-6DS-3.8CF	767-0075-5	ANGLE	GT17V-6DS-3.8/CR-MP
GT17V-6DS-5CF	767-0027-2	ANGLE	GT17VS-6DS-5/CR-MP
GT17VS-6DS-5CF	767-0050-4	STRAIGHT	
GT17VS-6DP-5CF	767-0080-5	STRAIGHT	GT17VS-6DP-5/CR-MP
GT17-8DS-7CF	767-0007-5	ANGLE	GT17S-8DS-7CR-MP
GT17S-8DS-7CF	767-0106-7	STRAIGHT	
GT17V-10DS-8CF	767-0037-6	ANGLE	GT17V-10DS/CR-MP
GT17VS-10DS-8CF	767-0059-9	STRAIGHT	
GT17VS-10DS-4.6CF	767-0116-0	STRAIGHT	GT17VS-10DS-4.6/CR-MP
GT17VS-10DP-5.2CF	767-0114-5	STRAIGHT	GT17VS-10DP-5.2/CR-MP

\* Concerning the crimp height of terminals, crimp height settings have been prepared for each type of cable. Please contact a Hirose Electric account representative for further information.  
 Please note that new crimp height settings will be made for new cables and that this might take several days.

## 4-Conductor Right-angle Connectors



Key variation



◆ The product comprises 5 parts.  
 (Housing, insulator, outer terminal, retainer, center terminal)

● Housing

Part Number	CL No.	Material / Finish or Color	Packaging	RoHS
GT17H-4S-HU	767-0085-9	PBT / Dark Gray	1	YES

● Insulator

Part Number	CL No.	Material / Finish or Color	Packaging	RoHS
GT17H-4S-2C	767-0084-6	PBT / Light Gray	1	YES
GT17H-4S-2C(A)	767-0167-1	PBT / Brown	1	
GT17H-4S-2C(B)	767-0168-4	PBT / Green	1	
GT17H-4S-2C(C)	767-0169-7	PBT /Blue	1	

● Outer terminal

Part Number	CL No.	Material / Finish or Color	Packaging	RoHS
GT17H-4S-5CF	767-0027-2	Copper alloy / Tin plating	1	YES

● Retainer

Part Number	CL No.	Material / Finish or Color	Packaging	RoHS
GT17H-4S-R	767-0086-1	PBT / Dark Gray	1	YES

● Center terminal

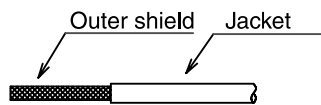
Part Number	CL No.	Material / Finish or Color	Conductor Size(AWG)	Remarks	RoHS
GT8-2428SCF(70)	758-0001-8-70	Phosphor Bronze / Tin plating	#24 to 28	10,000 pcs per reel	YES

◆ Mating Table

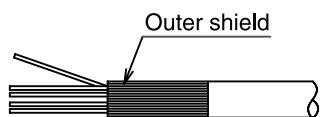
Color	Cable side connector	Board connector		
		SMT Type	DIP Type	
			Angle Type	Straight Type
Gray	GT17H-4S-ASSY	GT17H-4P-2H	GT17H-4P-2DS	GT17H-4P-2DSA
Brown	GT17H-4S-ASSY(Key TypeA)	GT17H-4P-2H(A)	GT17H-4P-2DS(A)	GT17H-4P-2DSA(A)
Green	GT17H-4S-ASSY(Key TypeB)	GT17H-4P-2H(B)	GT17H-4P-2DS(B)	GT17H-4P-2DSA(B)
Blue	GT17H-4S-ASSY(Key TypeC)	GT17H-4P-2H(C)	GT17H-4P-2DS(C)	GT17H-4P-2DSA(C)

## Wiring Method (4-Conductor Right-angle Type)

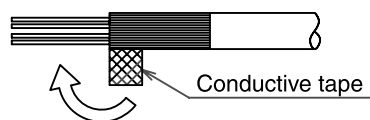
① Strip Jacket.



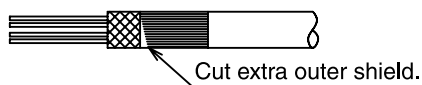
② Turn Outer shield to Backward.



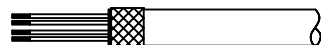
③ Cover the cable by conductive tape.



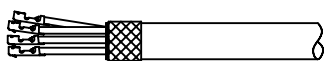
④ Cut extra outer shield.



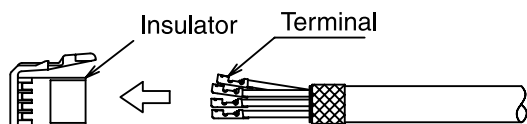
⑤ Strip Jacket.



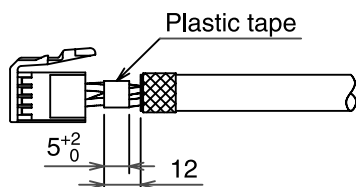
⑥ Crimp the terminal.



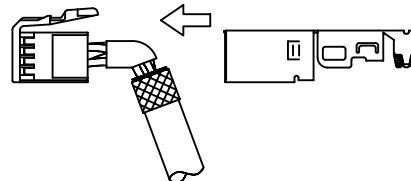
⑦ Insert terminal to the insulator.



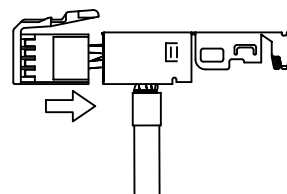
⑧ Cover middle of the cable by plastic tape.



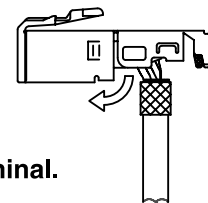
⑨ Insert insulator to the Outer tube terminal.



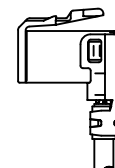
⑩



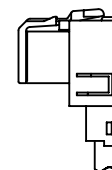
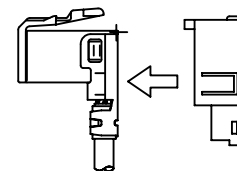
⑪ Bent the outer tube terminal 90.



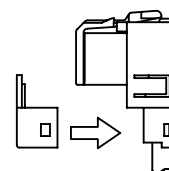
⑫ Crimp the outer tube terminal.



⑬ Insert the assembled outer tube terminal to the housing.



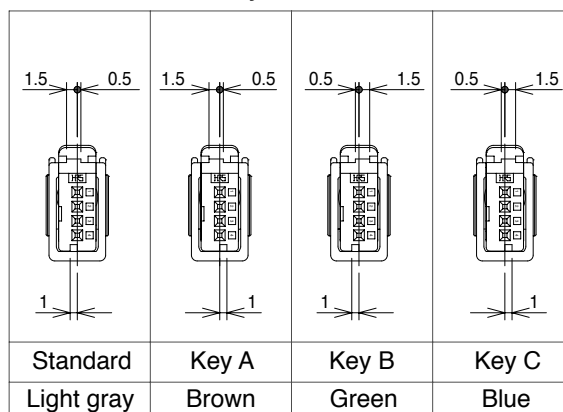
⑭ Set the Retainer.



## 4-Conductor Straight Connectors



Key variation



◆ The product comprises 4 parts.  
 (Housing, insulator, outer terminal, center terminal)

● Housing

Part Number	CL No.	Material / Finish or Color	Packaging	RoHS
GT17HS-4S-HU	767-0133-0	PBT / Dark Gray	1	YES

● Insulator

Part Number	CL No.	Material / Finish or Color	Packaging	RoHS
GT17H-4S-2C	767-0084-6	PBT / Light Gray	1	YES
GT17H-4S-2C(A)	767-0167-1	PBT / Brown	1	
GT17H-4S-2C(B)	767-0168-4	PBT / Green	1	
GT17H-4S-2C(C)	767-0169-7	PBT /Blue	1	

● Outer terminal

Part Number	CL No.	Material / Finish or Color	Packaging	RoHS
GT17HS-4S-5CF	767-0135-5	Copper alloy / Tin plating	1	YES

● Center terminal

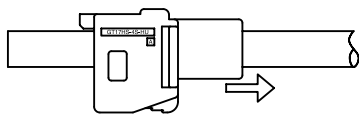
Part Number	CL No.	Material / Finish or Color	Conductor Size(AWG)	Remarks	RoHS
GT8-2428SCF(70)	758-0001-8-70	Phosphor Bronze / Tin plating	#24 to 28	10,000 pcs per reel	YES

◆ Mating Table

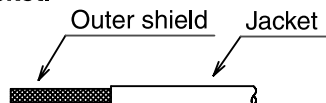
Color	Cable side connector	Board connector		
		SMT Type	DIP Type	
			Angle Type	Straight Type
Gray	GT17H-4S-ASSY	GT17H-4P-2H	GT17H-4P-2DS	GT17H-4P-2DSA
Brown	GT17H-4S-ASSY(Key TypeA)	GT17H-4P-2H(A)	GT17H-4P-2DS(A)	GT17H-4P-2DSA(A)
Green	GT17H-4S-ASSY(Key TypeB)	GT17H-4P-2H(B)	GT17H-4P-2DS(B)	GT17H-4P-2DSA(B)
Blue	GT17H-4S-ASSY(Key TypeC)	GT17H-4P-2H(C)	GT17H-4P-2DS(C)	GT17H-4P-2DSA(C)

## Wiring Method (4-Conductor Straight Type)

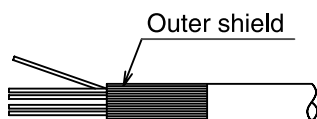
- ① Insert housing to the cable.



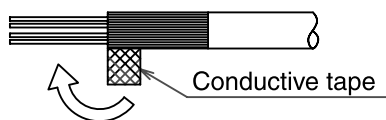
- ② Strip Jacket.



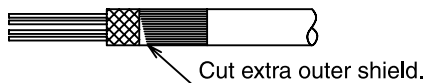
- ③ Turn Outer shield to backward.



- ④ Cover the cable by conductive tape.



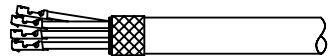
- ⑤ Cut extra outer shield.



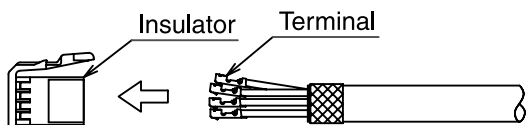
- ⑥ Strip Jacket.



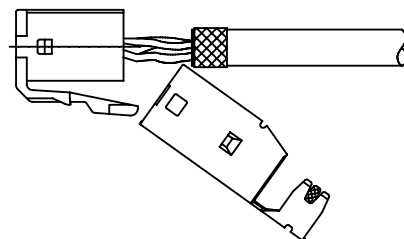
- ⑦ Crimp the terminal.



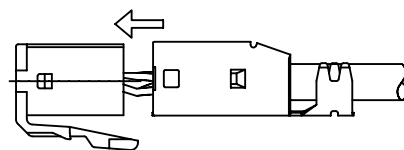
- ⑧ Insert terminal to the Insulator.



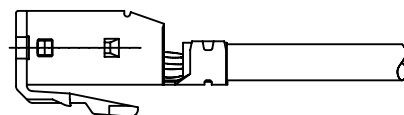
- ⑨ Set outer tube terminal to the insulator.



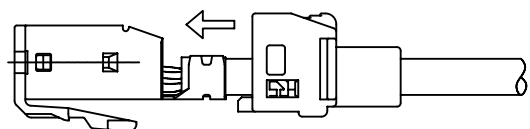
- ⑩ Set outer tube terminal to the insulator.



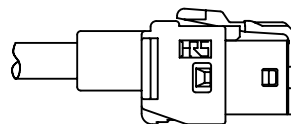
- ⑪ Crimp outertube terminal.



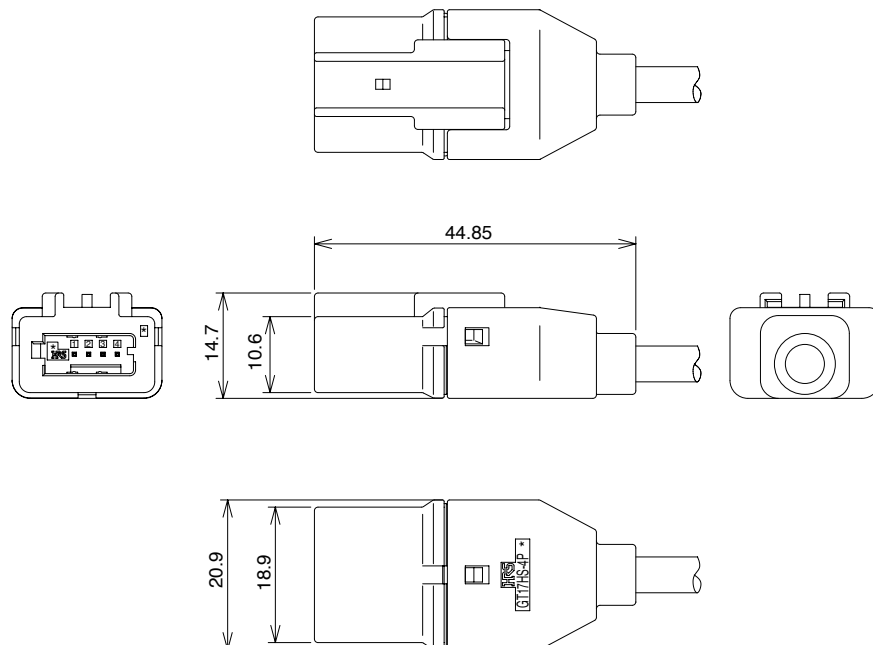
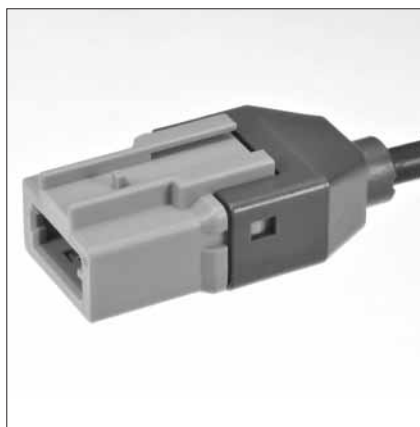
- ⑫ Slide up housing to outer tube terminal.



- ⑬ Finish.



## 4-Conductor Inline Connectors



◆The product comprises 6 parts.

(Housing, insulator, outer terminal, shield plate, retainer, and center terminal)

●Housing

Part Number	CL No.	Material / Finish or Color	Packaging	RoHS
GT17HSP-4P-HU	767-0158-0	PBT / Light Gray	1	YES

●Insulator

Part Number	CL No.	Material / Finish or Color	Packaging	RoHS
GT17HS-4P-2C	767-0155-2	PBT / Light Gray	1	YES

●Outer terminal

Part Number	CL No.	Material / Finish or Color	Packaging	Remarks	RoHS
GT17HS-4P-5CF	767-0156-5	Copper alloy / Tin plating	reel	800pcs per reel	YES

●Shield plate

Part Number	CL No.	Material / Finish or Color	Packaging	RoHS
GT17HS-4P-SC	767-0157-8	Copper alloy / Tin plating	1	YES

●Retainer

Part Number	CL No.	Material / Finish or Color	Packaging	RoHS
GT17HS-4P-R	767-0159-3	PBT / Dark Gray	1	YES

●Center terminal

Part Number	CL No.	Material / Finish or Color	Conductor Size(AWG)	Remarks	RoHS
GT8E-2428PCF	758-0067-6	Phosphor Bronze / Tin plating	#24 to 28	10,000 pcs per reel	YES

Coaxial cable connection of Antennas, Sensors, and Communication Trunk Lines

GT 5

GT 13

GT 16

PO5G

GT 11

GT 14

GT 17

GT 19

GT 3

GT 6W

GT 7

GT 10

GT 18W

GT 15

GT 8

GT 9

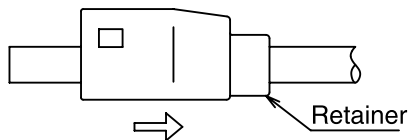
GT 25

GT17 Series

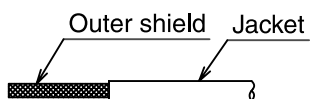
[www.DataSheet4U.com](http://www.DataSheet4U.com)

◆ **Wiring Method (4-Conductor Right-angle Type)**

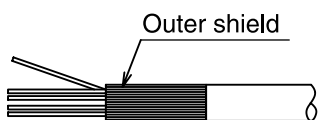
① **Insert retainer to the cable.**



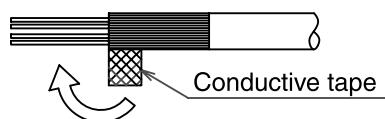
② **Strip Jacket.**



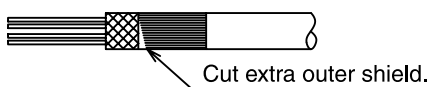
③ **Turn Outer shield to backward.**



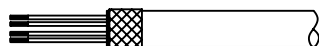
④ **Cover the cable by conductive tape.**



⑤ **Cut extra outer shield.**



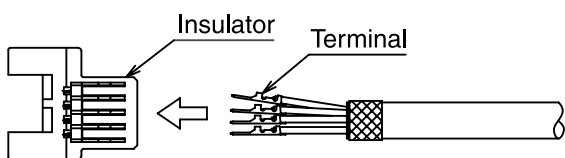
⑥ **Strip Jacket.**



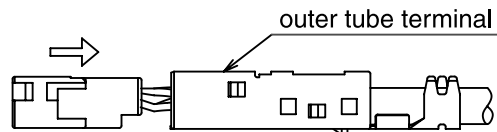
⑦ **Crimp the terminal.**



⑧ **Insert terminal to the Insulator.**



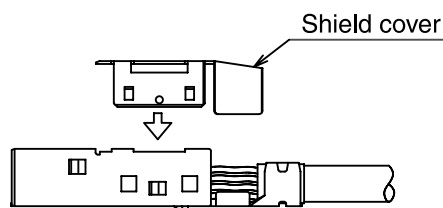
⑨ **Set the insulator to the outer tube terminal.**



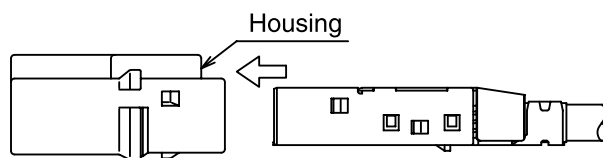
⑩ **Crimp the outertube terminal.**



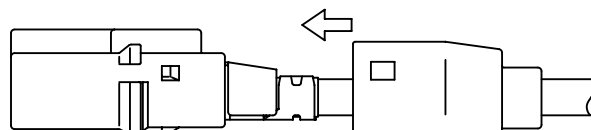
⑪ **Set the shield cover to the outer tube terminal.**



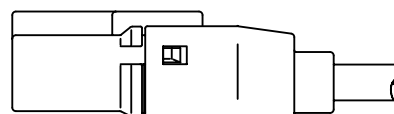
⑫ **Insert the outer tube terminal to the housing.**



⑬ **Slide up the retainer to the housing.**



⑭ **Finish**



Coaxial cable connection of Antennas, Sensors, and Communication Trunk Lines

GT 3

GT 6W

GT 7

GT 10

GT 18W

GT 15

GT 8

GT 9

GT 25

GT

GT 13

GT 16

PO5G

GT 11

GT 14

GT 17

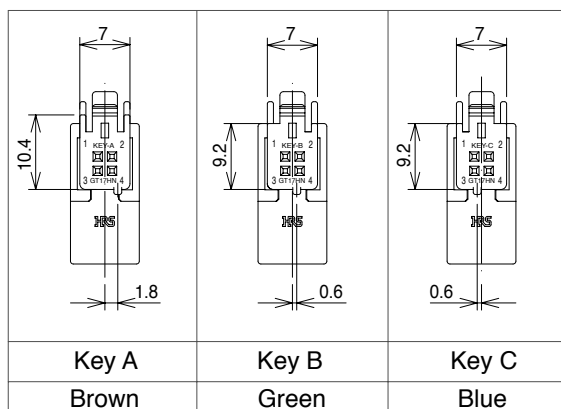
GT 19



## 4-Conductor Right-angle Connectors



Key variation



◆ The product comprises 5 parts.

(Housing, insulator, outer terminal, retainer, center terminal)

● Housing

Part Number	CL No.	Material / Finish or Color	Packaging	RoHS
GT17HN-4DS-HU	767-0141-8	PBT / Dark Gray	1	YES

● Insulator

Part Number	CL No.	Material / Finish or Color	Packaging	RoHS
GT17HN-4DS-2C(A)	767-0140-5	PBT / Brown	1	YES
GT17HN-4DS-2C(B)	767-0147-4	PBT / Green	1	
GT17HN-4DS-2C(C)	767-0148-7	PBT /Blue	1	

● Outer terminal

Part Number	CL No.	Material / Finish or Color	Packaging	RoHS
GT17HN-4DS-5CF	767-0142-0	Copper alloy / Tin plating	1	YES

● Retainer

Part Number	CL No.	Material / Finish or Color	Packaging	RoHS
GT17HN-4DS-R	767-0143-3	PBT / Dark Gray	1	YES

● Center terminal

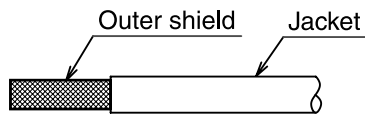
Part Number	CL No.	Material / Finish or Color	Conductor Size(AWG)	Remarks	RoHS
GT8-2428SCF(70)	758-0001-8-70	Phosphor Bronze / Tin plating	#24 to 28	10,000 pcs per reel	YES

◆ Mating Table

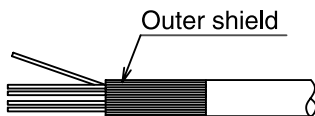
Color	Cable side connector	Board connector	
		Angle Type	Straight Type
Brown	GT17HN-4DS-ASSY(Key TypeA)	GT17HN-4DP-2H(A)	GT17HJ-4DP-2DSA
Green	GT17HN-4DS-ASSY(Key TypeB)	GT17HN-4DP-2H(B)	
		GT17HN-4/4DP-2H(BC)	
Blue	GT17HN-4DS-ASSY(Key TypeC)	GT17HN-4DP-2H(C)	
		GT17HN-4/4DP-2H(BC)	

## Wiring Method (4-Conductor Right-angle Type)

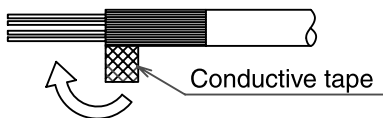
① Strip Jacket.



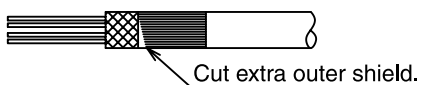
② Turn Outer shield to backward.



③ Cover the cable by conductive tape.



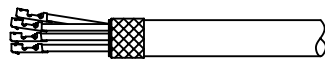
④ Cut extra outer shield.



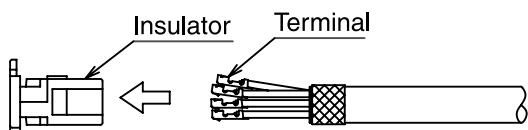
⑤ Strip Jacket.



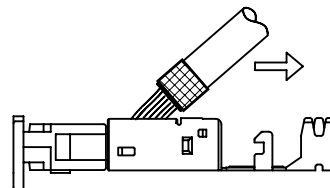
⑥ Crimp the terminal.



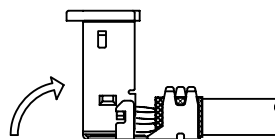
⑦ Insert terminal to the Insulator.



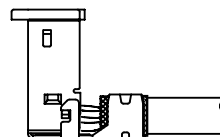
⑧ Insert insulator to the Outer tube terminal.



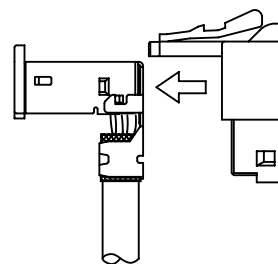
⑨ Bent the outer tube terminal 90.



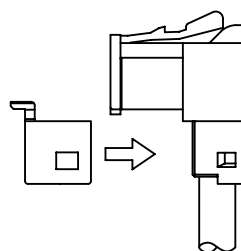
⑩ Crimp the outer tube terminal.



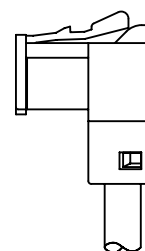
⑪ Insert the assembled outer tube terminal to the housing.



⑫ Set the Retainer.



⑬ Finish.



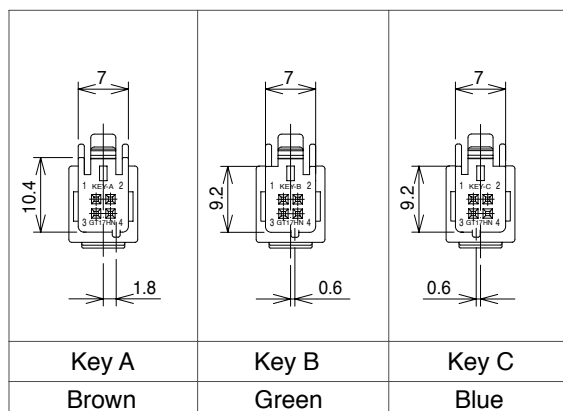
Coaxial cable connection of Antennas, Sensors, and Communication Trunk Lines

- GT 3
- GT 6W
- GT 7
- GT 10
- GT 18W
- GT 15
- GT 8
- GT 9
- GT 25
- GT 19
- GT 17
- GT 14
- GT 11
- PO5G
- GT 16
- GT 13

## 4-Conductor Straight Connectors



Key variation



◆ The product comprises 4 parts.  
 (Housing, insulator, outer terminal, center terminal)

● Housing

Part Number	CL No.	Material / Finish or Color	Packaging	RoHS
GT17HNS-4DS-HU	767-0150-9	PBT / Dark Gray	1	YES

● Insulator

Part Number	CL No.	Material / Finish or Color	Packaging	RoHS
GT17HN-4DS-2C(A)	767-0140-5	PBT / Brown	1	YES
GT17HN-4DS-2C(B)	767-0147-4	PBT / Green	1	
GT17HN-4DS-2C(C)	767-0148-7	PBT /Blue	1	

● Outer terminal

Part Number	CL No.	Material / Finish or Color	Packaging	RoHS
GT17HNS-4DS-5CF	767-0151-1	Copper alloy / Tin plating	1	YES

● Center terminal

Part Number	CL No.	Material / Finish or Color	Conductor Size(AWG)	Remarks	RoHS
GT8-2428SCF(70)	758-0001-8-70	Phosphor Bronze / Tin plating	#24 to 28	10,000 pcs per reel	YES

◆ Mating Table

Color	Cable side connector	Board connector	
		Angle Type	Straight Type
Brown	GT17HNS-4DS-ASSY(Key TypeA)	GT17HN-4DP-2H(A)	GT17HJ-4DP-2DSA
Green	GT17HNS-4DS-ASSY(Key TypeB)	GT17HN-4DP-2H(B)	/
Blue	GT17HNS-4DS-ASSY(Key TypeC)	GT17HN-4/4DP-2H(BC)	
		GT17HN-4DP-2H(C)	
		GT17HN-4/4DP-2H(BC)	

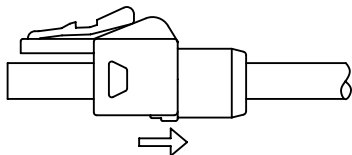
GT17 Series

Coaxial cable connection of Antennas, Sensors, and Communication Trunk Lines

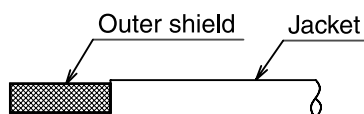
[www.DataSheet4U.com](http://www.DataSheet4U.com)

## Wiring Method (4-Conductor Straight Type)

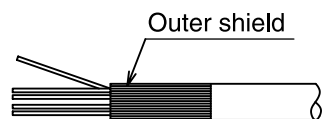
1 Insert housing to the cable.



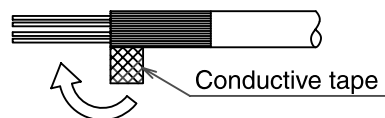
2 Strip Jacket.



3 Turn Outer shield to backward.



4 Cover the cable by conductive tape.



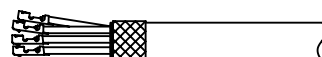
5 Cut extra outer shield.



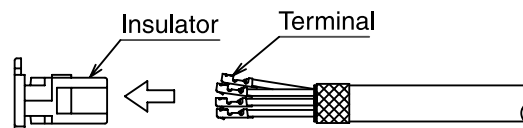
6 Strip Jacket.



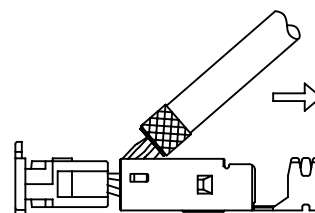
7 Crimp the terminal.



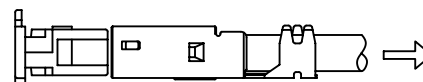
8 Insert terminal to the Insulator.



9 Set outer tube terminal to the insulator.



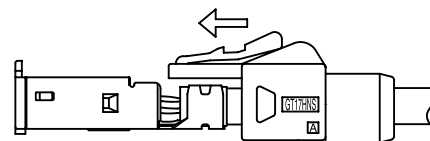
10 Set outer tube terminal to the insulator.



11 Crimp outertube terminal.



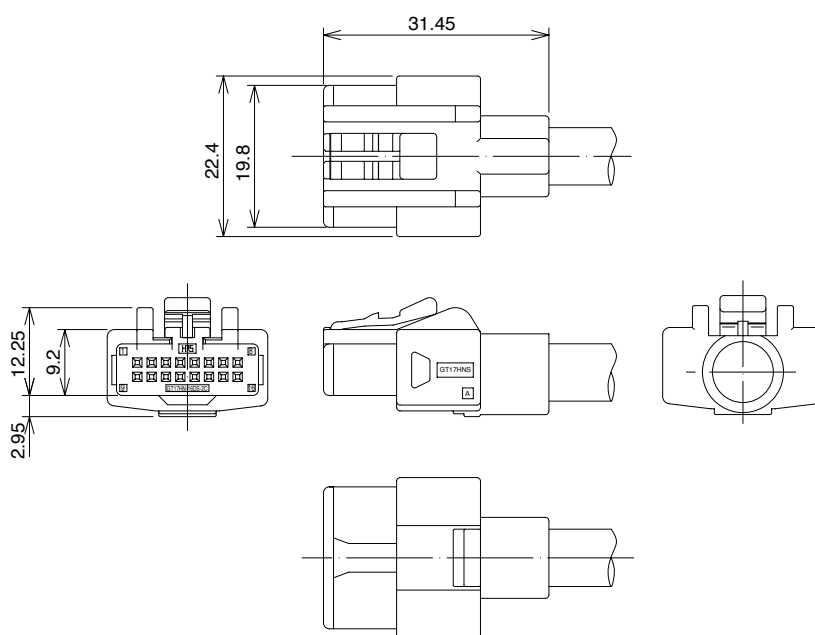
12 Slide up housing to outer tube terminal.



13 Finish.



## 16-Conductor Straight Connectors



◆ The product comprises 4 parts.  
 (Housing, insulator, outer terminal, and center terminal)

● Housing

Part Number	CL No.	Material / Finish or Color	Packaging	RoHS
GT17HNS-16DS-HU	767-0164-3	PBT / Dark Gray	1	YES

● Insulator

Part Number	CL No.	Material / Finish or Color	Packaging	RoHS
GT17HN-16DS-2C	767-0162-8	PBT / Light Gray	1	YES

● Outer terminal

Part Number	CL No.	Material / Finish or Color	Packaging	RoHS
GT17HNS-16DS-8CF	767-0165-6	Copper alloy / Tin plating	1	YES

● Center terminal

Part Number	CL No.	Material / Finish or Color	Conductor Size(AWG)	Remarks	RoHS
GT8-2428SCF(70)	758-0001-8-70	Phosphor Bronze / Tin plating	#24 to 28	10,000 pcs per reel	YES

◆ Mating Table

Board connector
GT17HN-16DP-2H

Coaxial cable connection of Antennas, Sensors, and Communication Trunk Lines

GT 5

GT 13

GT 16

PO5G

GT 11

GT 14

GT 17

GT 19

GT 3

GT 6W

GT 7

GT 10

GT 18W

GT 15

GT 8

GT 9

GT 25

GT17 Series

[www.DataSheet4U.com](http://www.DataSheet4U.com)

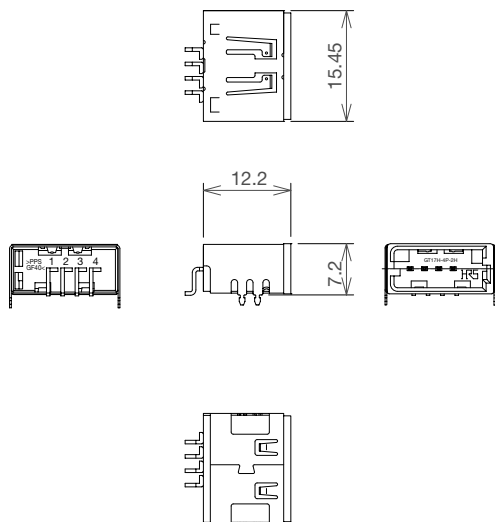
Coaxial cable connection of Antennas, Sensors, and Communication Trunk Lines

- GT 13
- GT 16
- PO5G
- GT 11
- GT 14
- GT 17
- GT 19
- GT 3
- GT 6W
- GT 7
- GT 10
- GT 18W
- GT 15
- GT 8
- GT 9
- GT 25

### 4-Conductor SMT Connector(Right side key)



**GT17H-4P-2H**



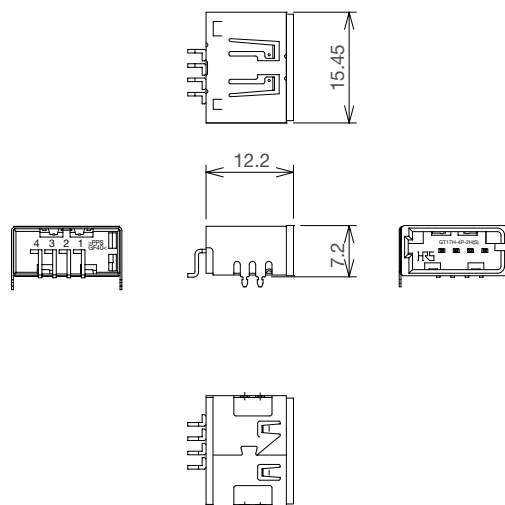
Standard Light gray	Key B Green
Key A Brown	Key C Blue

Part Number	CL No.	Color	Material / Finish	Packaging	RoHS
GT17H-4P-2H	767-0083-3	Light Gray	Housing:PPS Center terminal:Brass/Tin plating Outer terminal:Copper alloy/Tin plating	400 pcs.per reel	YES
GT17H-4S-2C(A)	767-0167-1	Brown			
GT17H-4S-2C(B)	767-0168-4	Green			
GT17H-4S-2C(C)	767-0169-7	Blue			

### 4-Conductor SMT Connector(Left side key)



**GT17HR-4P-2H**



	Planning
Standard Light gray	Key B Green
Planning	Planning
Key A Brown	Key C Blue

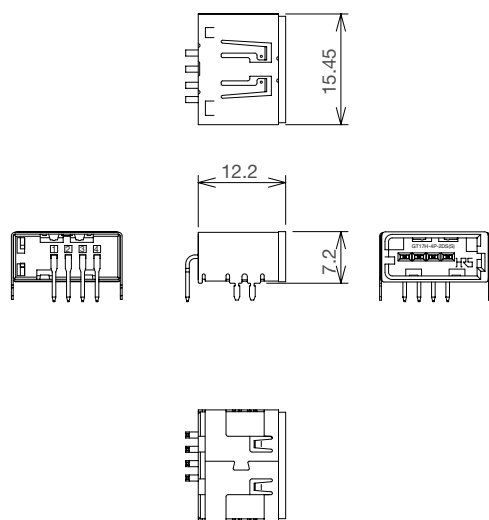
Part Number	CL No.	Color	Material / Finish	Packaging	RoHS
GT17HR-4P-2H	767-0146-1	Light Gray	Housing:PPS Center terminal:Brass/Tin plating Outer terminal:Copper alloy/Tin plating	400 pcs.per reel	YES

[www.DataSheet4U.com](http://www.DataSheet4U.com)

## 4-Conductor Printed Circuit Board Connector



**GT17H-4P-2DS**



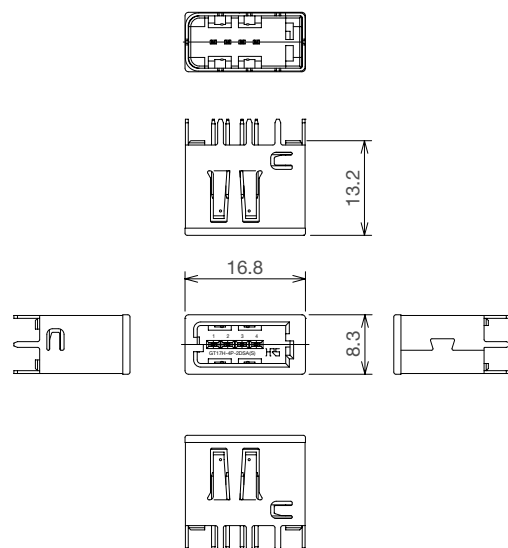
Standard Light gray	Key B Green
Key A Brown	Key C Blue

Part Number	CL No.	Color	Material / Finish	Packaging	RoHS
GT17H-4P-2DS	767-0166-9	Light Gray	Housing:PPS Center terminal:Brass/Tin plating Outer terminal:Copper alloy/Tin plating	300 pcs.per reel	YES
GT17H-4S-2DS(A)	767-0210-9	Brown			
GT17H-4S-2DS(B)	767-0211-1	Green			
GT17H-4S-2DS(C)	767-0212-1	Blue			

## 4-Conductor Printed Circuit Board Connector



**GT17H-4P-2DSA**



Standard Light gray	Key B Green
Key A Brown	Key C Blue

Part Number	CL No.	Color	Material / Finish	Packaging	RoHS
GT17H-4P-2DSA	767-0181-2	Light Gray	Housing:PPS Center terminal:Brass/Tin plating Outer terminal:Copper alloy/Tin plating	80 pcs.per tray	YES
GT17H-4P-2DSA(A)	767-0182-5	Brown			
GT17H-4P-2DSA(B)	767-0183-8	Green			
GT17H-4P-2DSA(C)	767-0184-0	Blue			

Coaxial cable connection of Antennas, Sensors, and Communication Trunk Lines  
 GT 5  
 GT 13  
 GT 16  
 PO5G  
 GT 11  
 GT 14  
**GT 17**  
 GT 19  
 GT 3  
 GT 6W  
 GT 7  
 GT 10  
 GT 18W  
 GT 15  
 GT 8  
 GT 9  
 GT 25

GT17 Series

Coaxial cable connection of Antennas, Sensors, and Communication Trunk Lines

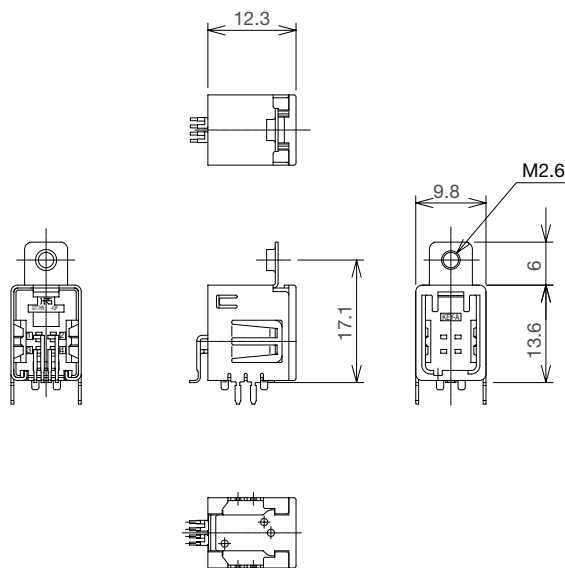
[www.DataSheet4U.com](http://www.DataSheet4U.com)

## 4-Conductor SMT Connector

● With M2.6 screw flange



**GT17HN-4DP-2H(A)**



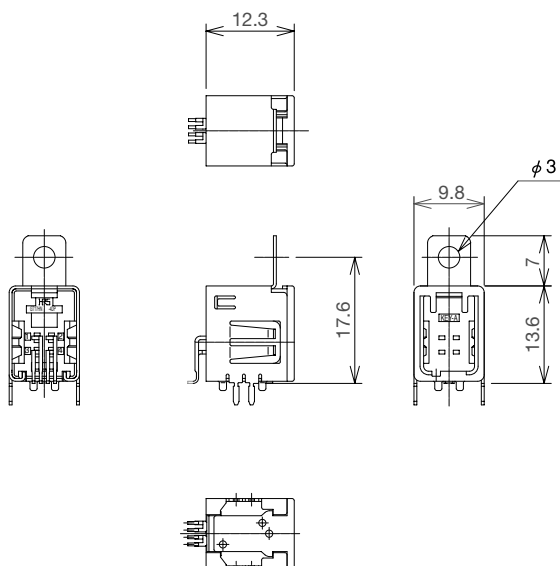
Key A Brown
Key B Green
Key C Blue

Part Number	CL No.	Color	Material / Finish	Packaging	RoHS
GT17HN-4DP-2H(A)	767-0144-6	Brown	Housing:PPS	60 pcs.per tray	YES
GT17HN-4DP-2H(B)	767-0175-0	Green	Center terminal:Brass/Tin plating		
GT17HN-4DP-2H(C)	767-0176-2	Blue	Outer terminal:Copper alloy/Tin plating		

● With 3.2 dia. hole flange



**GT17HN-4DP-2H(A)(11)**



Key A Brown
Key B Green
Key C Blue

Part Number	CL No.	Color	Material / Finish	Packaging	RoHS
GT17HN-4DP-2H(A)(11)	767-0144-6-11	Brown	Housing:PPS	60 pcs.per tray	YES
GT17HN-4DP-2H(B)(11)	767-0175-0-11	Green	Center terminal:Brass/Tin plating		
GT17HN-4DP-2H(C)(11)	767-0176-2-11	Blue	Outer terminal:Copper alloy/Tin plating		

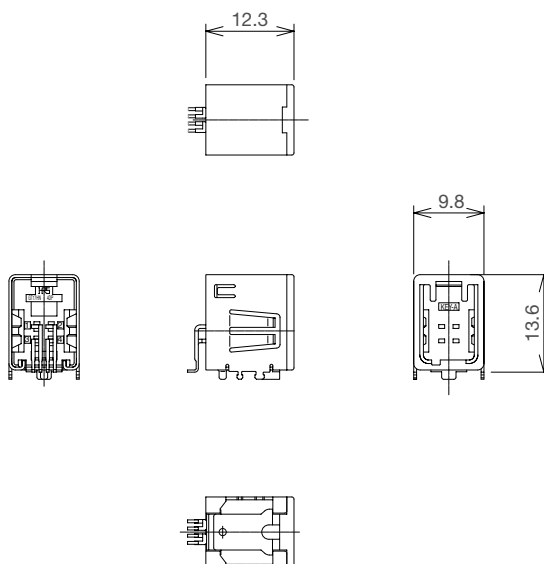


www.DataSheet4U.com

● Without flange



GT17HN-4DP-2H(A)(14)



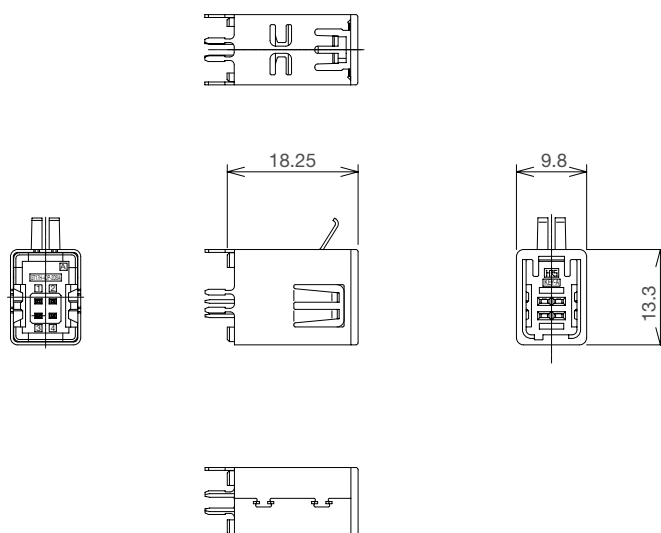
	Key A
	Brown
	Key B
	Green
	Key C
	Blue

Part Number	CL No.	Color	Material / Finish	Packaging	RoHS
GT17HN-4DP-2H(A)(14)	767-0144-6-14	Brown	Housing:PPS	300 pcs.per reel	YES
GT17HN-4DP-2H(B)(14)	767-0175-0-14	Green	Center terminal:Brass/Tin plating		
GT17HN-4DP-2H(C)(14)	767-0176-2-14	Blue	Outer terminal:Copper alloy/Tin plating		

## 4-Conductor Printed Circuit Board Connector



GT17HJ-4DP-2DSA



Part Number	CL No.	Color	Material / Finish	Packaging	RoHS
GT17HJ-4DP-2DSA	767-0144-6-14	Brown	Housing:PPS Center terminal:Brass/Tin plating Outer terminal:Copper alloy/Tin plating	65 pcs.per reel	YES

Coaxial cable connection of Antennas, Sensors, and Communication Trunk Lines

GT 5

GT 13

GT 16

PO5G

GT 11

GT 14

**GT 17**

GT 19

GT 3

GT 6W

GT 7

GT 10

GT 18W

GT 15

GT 8

GT 9

GT 25

GT17 Series

Coaxial cable connection of Antennas, Sensors, and Communication Trunk Lines  
 GT 5  
 GT 13  
 GT 16  
 PO5G  
 GT 11  
 GT 14  
 GT 17  
 GT 19  
 GT 3  
 GT 6W  
 GT 7  
 GT 10  
 GT 18W  
 GT 15  
 GT 8  
 GT 9  
 GT 25

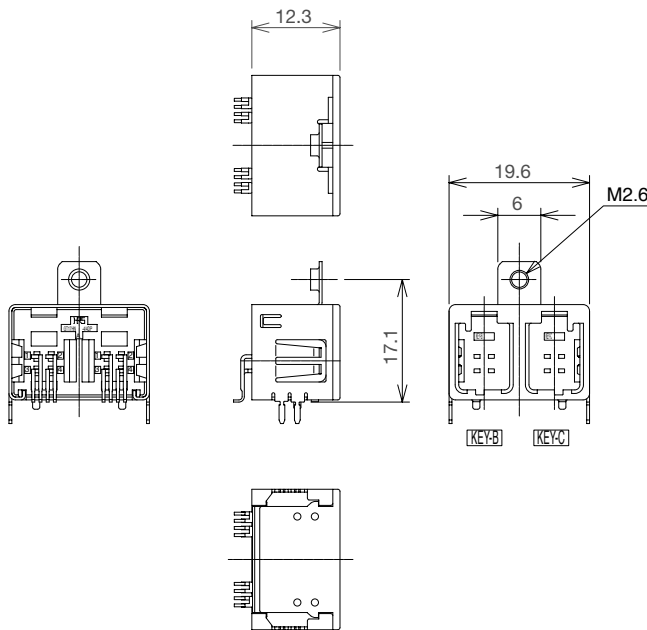
## 4/4 Conductor SMT Connector

[www.DataSheet4U.com](http://www.DataSheet4U.com)

● With M2.6 screw flange



**GT17HN-4/4DP-2H(BC)**

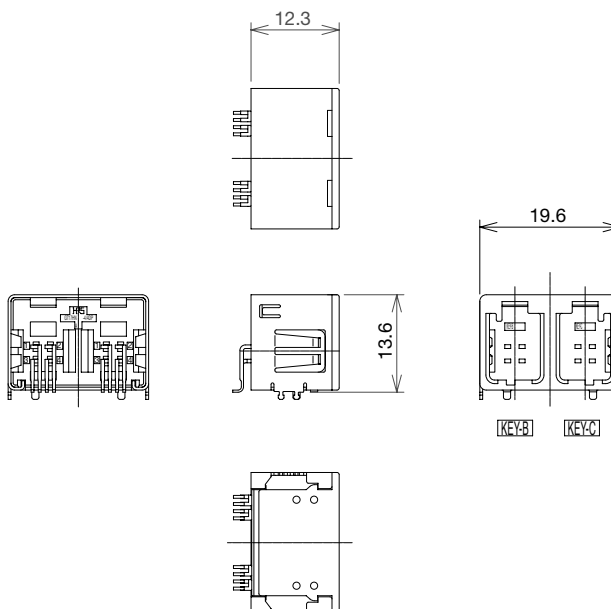


Part Number	CL No.	Color	Material / Finish	Packaging	RoHS
GT17HN-4/4DP-2H(BC)	767-0145-9	Light gray	Housing:PPS Center terminal:Brass/Tin plating Outer terminal:Copper alloy/Tin plating	40 pcs.per tray	YES

● Without flange



**GT17HN-4/4DP-2H(BC)(14)**



Part Number	CL No.	Color	Material / Finish	Packaging	RoHS
GT17HN-4/4DP-2H(BC)(14)	767-0145-9-14	Light gray	Housing:PPS Center terminal:Brass/Tin plating Outer terminal:Copper alloy/Tin plating	200 pcs.per reel	YES

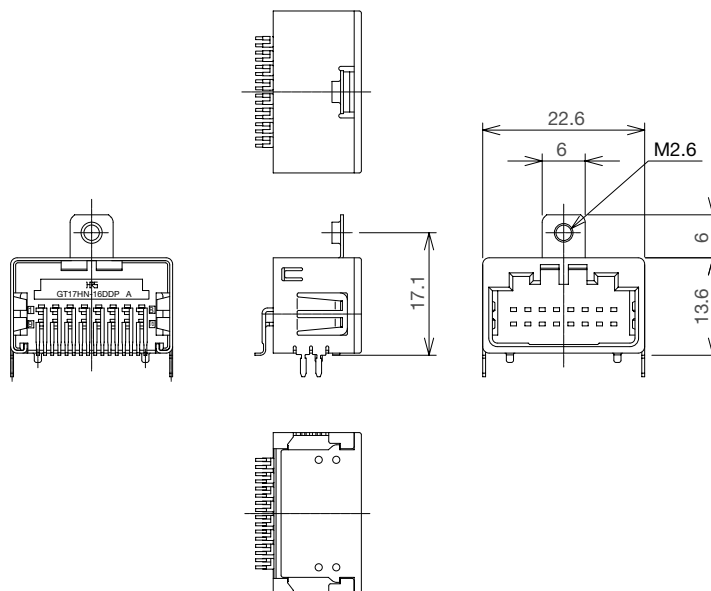
[www.DataSheet4U.com](http://www.DataSheet4U.com)

## 16 Conductor SMT Connector

● With M2.6 screw flange



**GT17HN-16DP-2H**



Part Number	CL No.	Color	Material / Finish	Packaging	RoHS
GT17HN-16DP-2H	767-0153-7	Light gray	Housing:PPS Center terminal:Brass/Tin plating Outer terminal:Copper alloy/Tin plating	40 pcs.per tray	YES

Coaxial cable connection of Antennas, Sensors, and Communication Trunk Lines

GT 5

GT 13

GT 16

PO5G

GT 11

GT 14

**GT 17**

GT 19

GT 3

GT 6W

GT 7

GT 10

GT 18W

GT 15

GT 8

GT 9

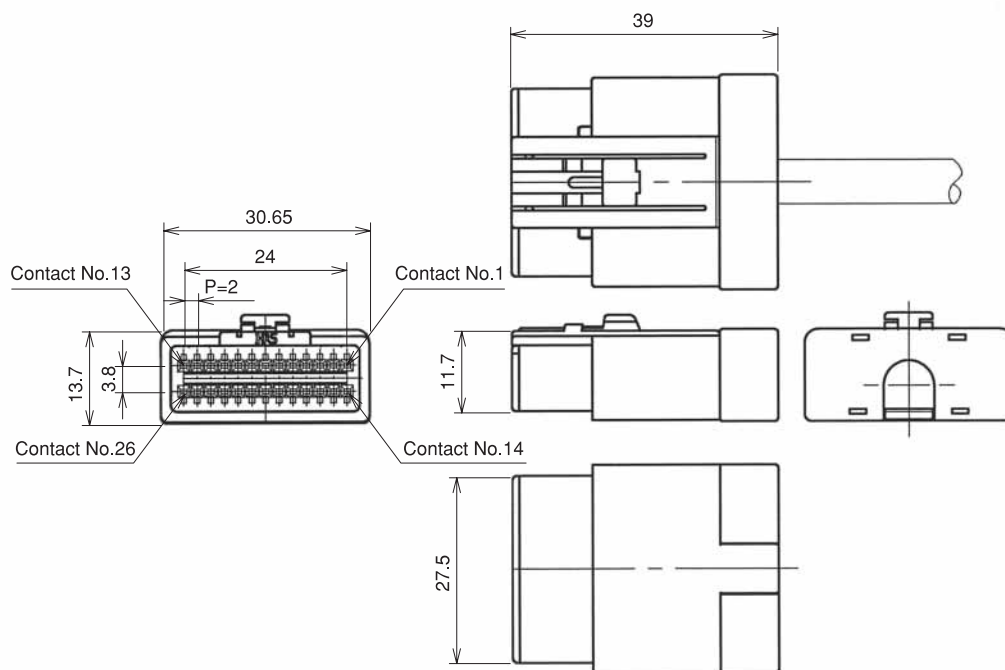
GT 25

GT17 Series

Coaxial cable connection of Antennas, Sensors, and Communication Trunk Lines

[www.DataSheet4U.com](http://www.DataSheet4U.com)

## 26-Conductor Straight Connectors



◆ The product comprises 6 parts.

(Housing, insulator, outer terminal, shield plate, retainer, and center terminal)

● Housing

Part Number	CL No.	Material / Finish or Color	Packaging	RoHS
GT17H-26DS-HU	767-0094-0	PBT / Light Gray	1	YES

● Insulator

Part Number	CL No.	Material / Finish or Color	Packaging	RoHS
GT17H-26DS-2C	767-0095-2	PBT / Dark Gray	1	YES

● Outer terminal

Part Number	CL No.	Material / Finish or Color	Packaging	RoHS
GT17H-26DS-6.5CF	767-0097-8	Copper alloy / Tin plating	pack	YES

● Shield plate

Part Number	CL No.	Material / Finish or Color	Packaging	Remarks	RoHS
GT17H-26DS-SC	767-0096-5	Copper alloy / Tin plating	pack	612pcs per pack	YES

● Retainer

Part Number	CL No.	Material / Finish or Color	Packaging	RoHS
GT17H-26DS-R	767-0098-0	PBT / Dark Gray	1	YES

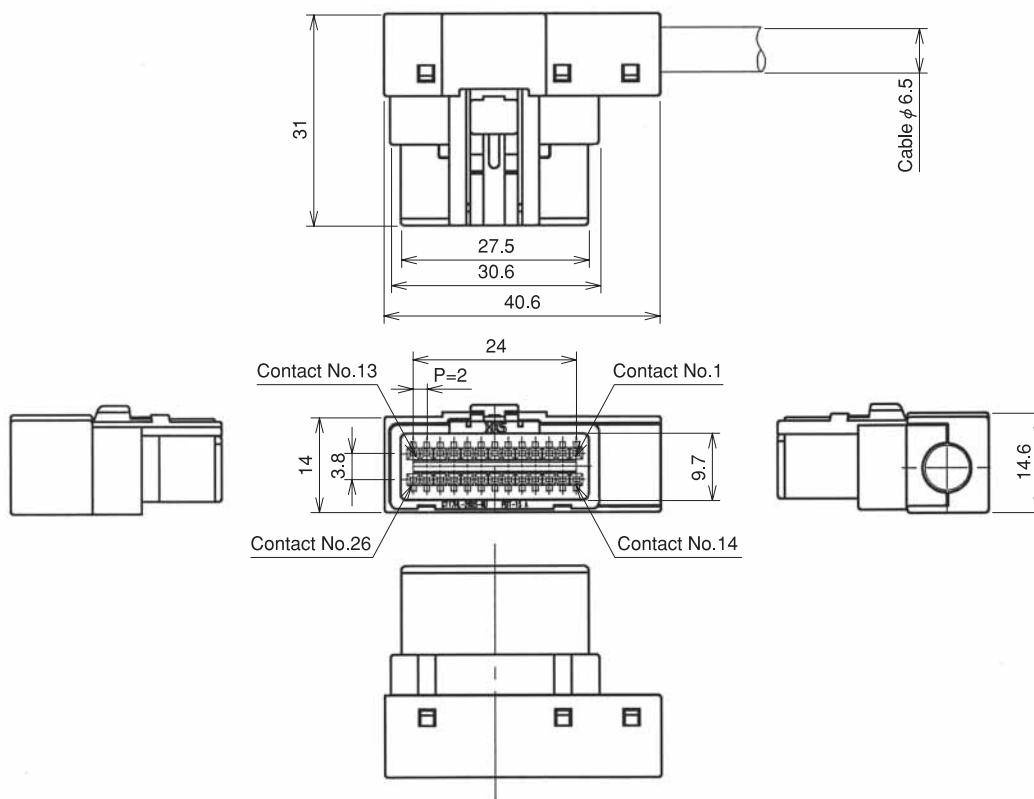
● Center terminal

Part Number	CL No.	Material / Finish or Color	Conductor Size	Sheath Diameter	Notes	RoHS
GT25-2428SCF	758-0013-2	Copper alloy / Tin plating	AWG#24~28	φ 1.3~1.5	1 reel (10,000 pieces)	YES
GT25-2630SCF	758-0012-0	Copper alloy / Tin plating	AWG#26~30	φ 0.7~1.0	1 reel (10,000 pieces)	

◆ Mating Table

Color	Cable side connector	Board connector
Gray	GT17H-26DS-HU	GT17H-26DP-DS(Board type)
		GT17H-26DP-HU(In-line type)

## 26-Conductor Right-angle Connectors (Left Bend)



◆The product comprises 6 parts.

(Housing, insulator, outer terminal, shield plate, retainer, and center terminal)

●Housing

Part Number	CL No.	Material / Finish or Color	Packaging	RoHS
GT17HL-26DS-HU	767-0099-3	PBT / Light Gray	1	YES

●Insulator

Part Number	CL No.	Material / Finish or Color	Packaging	RoHS
GT17H-26DS-2C	767-0095-2	PBT / Dark Gray	1	YES

●Outer terminal

Part Number	CL No.	Material / Finish or Color	Packaging	Remarks	RoHS
GT17HL-26DS-6.5CF	767-0101-3	Copper alloy / Tin plating	pack	612pcs per pack	YES

●Shield plate

Part Number	CL No.	Material / Finish or Color	Packaging	Remarks	RoHS
GT17HL/R-26DS-SC	767-0100-0	Copper alloy / Tin plating	pack	612pcs per pack	YES

●Retainer

Part Number	CL No.	Material / Finish or Color	Packaging	RoHS
GT17HL-26DS-R	767-0102-6	PBT / Dark Gray	1	YES

●Center terminal

Part Number	CL No.	Material / Finish or Color	Line Size	Cover Size	Note	RoHS
GT25-2428SCF	758-0013-2	Copper alloy / Tin plating	AWG#24~28	φ 1.3~1.5	10,000pcs per pack	YES
GT25-2630SCF	758-0012-0	Copper alloy / Tin plating	AWG#26~30	φ 0.7~1.0	10,000pcs per pack	

◆ Mating Table

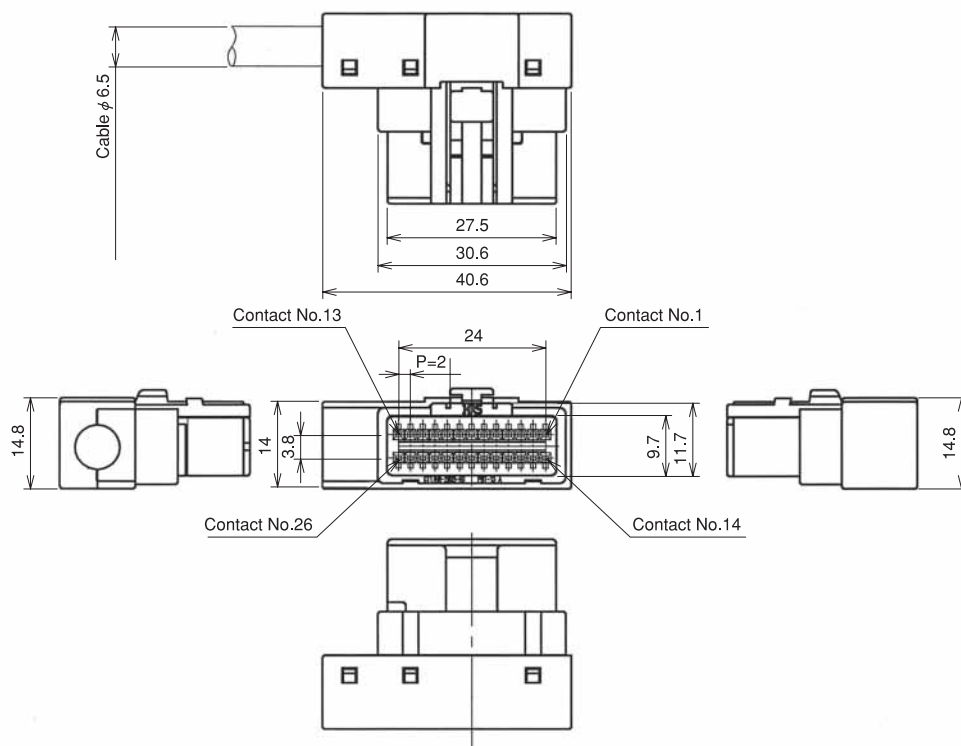
Color	Cable side connector	Board connector
Gray	GT17HL-26DS-HU	GT17H-26DP-DS(Boad type)
		GT17H-26DP-HU(In-line type)

GT17 Series

Coaxial cable connection of Antennas, Sensors, and Communication Trunk Lines

www.DataSheet4U.com

## 26-Conductor Straight Connectors (Right Bend)



◆ The product comprises 6 parts.

(Housing, insulator, outer terminal, shield plate, retainer, and center terminal)

● Housing

Part Number	CL No.	Material / Finish or Color	Packaging	RoHS
GT17HR-26DS-HU	767-0118-6	PBT / Light Gray	1	YES

● Insulator

Part Number	CL No.	Material / Finish or Color	Packaging	RoHS
GT17H-26DS-2C	767-0095-2	PBT / Dark Gray	1	YES

● Outer terminal

Part Number	CL No.	Material / Finish or Color	Packaging	Remarks	RoHS
GT17HR-26DS-6.5CF	767-0119-9	Copper alloy / Tin plating	pack	612pcs per pack	YES

● Shield plate

Part Number	CL No.	Material / Finish or Color	Packaging	Remarks	RoHS
GT17HL/R-26DS-SC	767-0100-0	Copper alloy / Tin plating	pack	612pcs per pack	YES

● Retainer

Part Number	CL No.	Material / Finish or Color	Packaging	RoHS
GT17HR-26DS-R	767-0120-8	PBT / Dark Gray	1	YES

● Center terminal

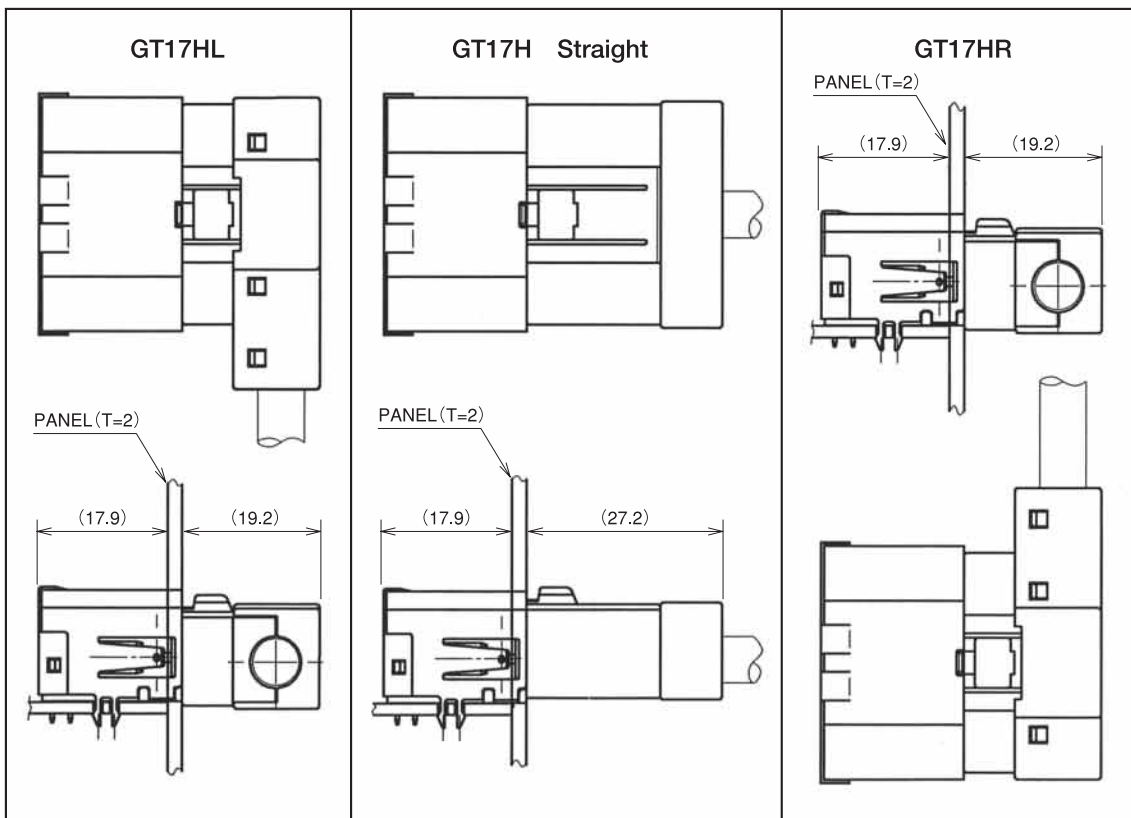
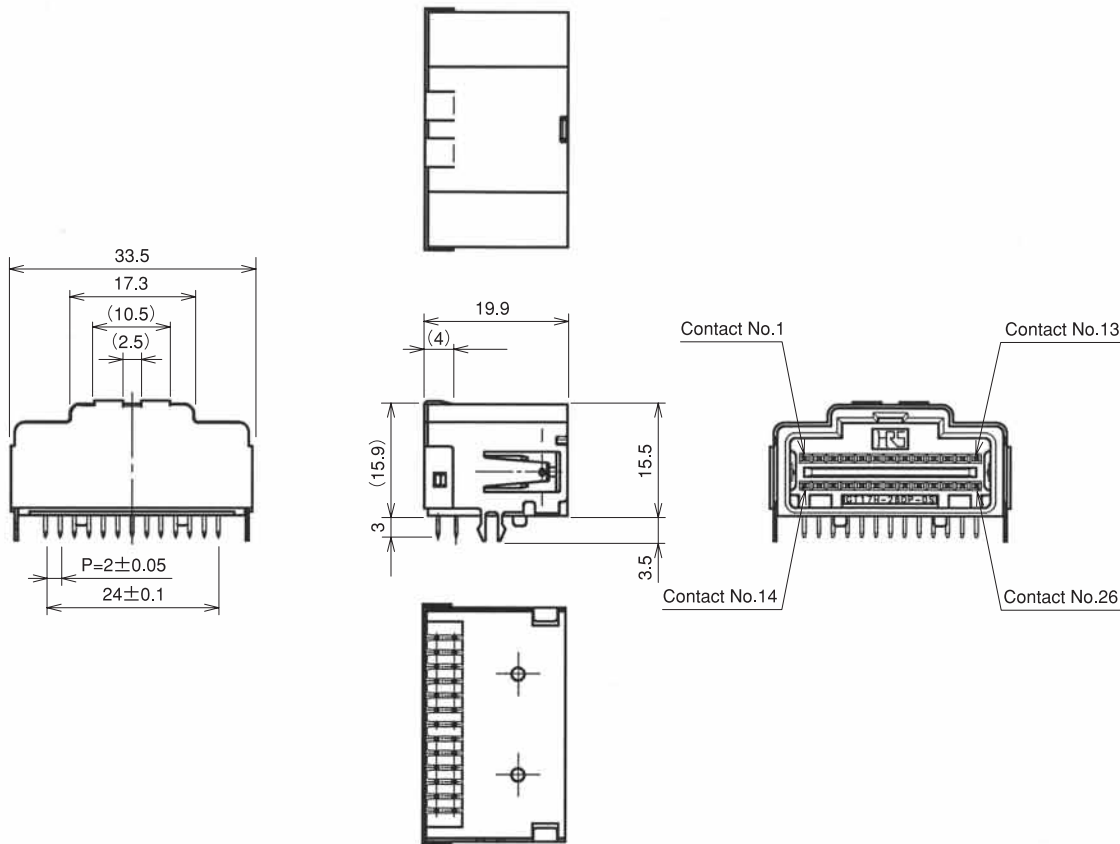
Part Number	CL No.	Material / Finish or Color	Line Size	Cover Size	Note	RoHS
GT25-2428SCF	758-0013-2	Copper alloy / Tin plating	AWG#24~28	φ 1.3~1.5	10,000pcs per pack	YES
GT25-2630SCF	758-0012-0	Copper alloy / Tin plating	AWG#26~30	φ 0.7~1.0	10,000pcs per pack	

◆ Mating Table

Color	Cable side connector	Board connector
Gray	GT17HR-26DS-HU	GT17H-26DP-DS(Board type)
		GT17H-26DP-HU(In-line type)

## 26-Conductor Printed Circuit Board Connectors (Color: Light Gray)

Part Number	CL No.	Material / Finish or Color	Packaging	RoHS
GT17H-26DP-DS	767-0088-7	Housing: PBT/Light gray Center terminal: Brass/Tin plating Outer terminal: Copper alloy/Tin plating	1	YES



Coaxial cable connection of Antennas, Sensors, and Communication Trunk Lines

- GT 5
- GT 13
- GT 16
- PO5G
- GT 11
- GT 14
- GT 17**
- GT 19
- GT 3
- GT 6W
- GT 7
- GT 10
- GT 18W
- GT 15
- GT 8
- GT 9
- GT 25