

# Q-FLASH™ MEMORY

## MT28F128J3‡, MT28F640J3, MT28F320J3‡

### FEATURES

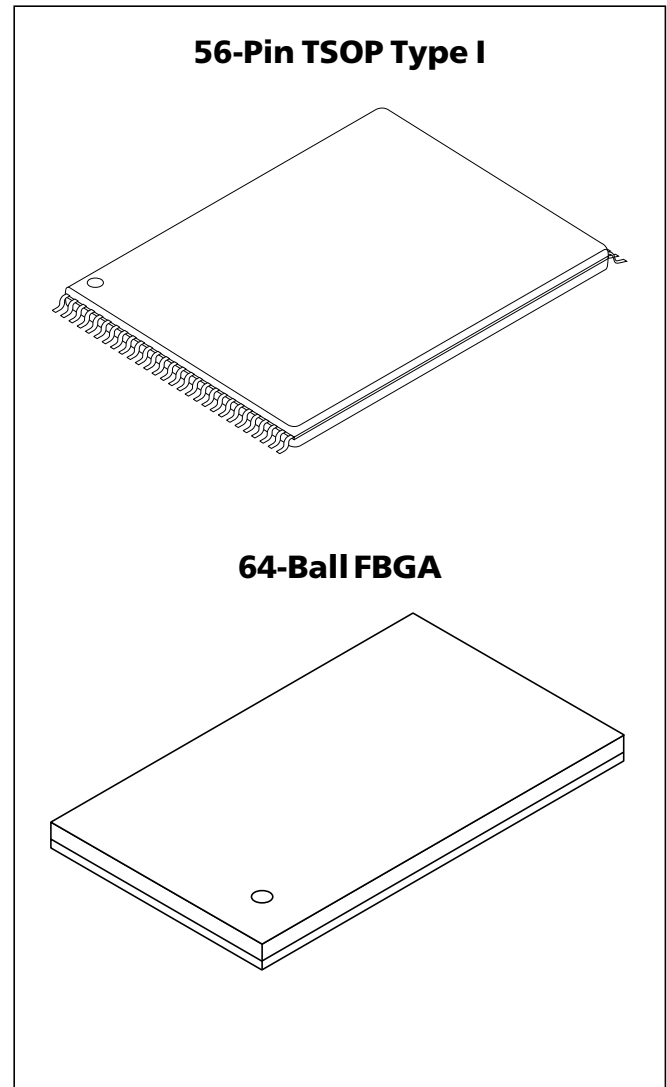
- x8/x16 organization
- One hundred twenty-eight 128KB erase blocks (128Mb)  
Sixty-four 128KB erase blocks (64Mb)  
Thirty-two 128KB erase blocks (32Mb)
- V<sub>CC</sub>, V<sub>CCQ</sub>, and V<sub>PEN</sub> voltages:
  - 2.7V to 3.6V V<sub>CC</sub> operation
  - 2.7V to 3.6V or 4.5V to 5.5V\* V<sub>CCQ</sub> operation
  - 2.7V to 3.6V, or 5V V<sub>PEN</sub> application programming
- Interface Asynchronous Page Mode Reads:
  - 150ns/25ns read access time (128Mb)
  - 120ns/25ns read access time (64Mb)
  - 110ns/25ns read access time (32Mb)
- Enhanced data protection feature with V<sub>PEN</sub> = V<sub>SS</sub>
  - Flexible sector locking
  - Sector erase/program lockout during power transition
- Security OTP block feature
  - Permanent block locking (Contact factory for availability)
- Industry-standard pinout
- Inputs and outputs are fully TTL-compatible
- Common Flash Interface (CFI) and Scalable Command Set
- Automatic write and erase algorithm
- 4.7µs-per-byte effective programming time using write buffer
- 128-bit protection register
  - 64-bit unique device identifier
  - 64-bit user-programmable OTP cells
- 100,000 ERASE cycles per block
- Automatic suspend options:
  - Block Erase Suspend-to-Read
  - Block Erase Suspend-to-Program
  - Program Suspend-to-Read

NOTE: MT28F128J3, and MT28F320J3 are preliminary status.‡  
MT28F640J3 is production status.

### OPTIONS

- |                                       |      |
|---------------------------------------|------|
| • Timing                              |      |
| 150ns (128Mb)                         | -15  |
| 120ns (64Mb)                          | -12  |
| 110ns (32Mb)                          | -11  |
| • Operating Temperature Range         |      |
| Commercial Temperature (0°C to +85°C) | None |
| Extended Temperature (-40°C to +85°C) | ET   |

### MARKING



- |                            |      |
|----------------------------|------|
| • V <sub>CCQ</sub> Option* | None |
| 2.7V–3.6V                  |      |
| 4.5V–5.5V                  | F    |
| • Packages                 |      |
| 56-pin TSOP Type I         | RG   |
| 64-ball FBGA (1.0mm pitch) | FS   |

Part Number Example:

**MT28F640J3RG-12 ET**

\*Contact factory for availability of the MT28F320J3 and MT28F640J3.

## GENERAL DESCRIPTION

The MT28F128J3 is a nonvolatile, electrically block-erasable (Flash), programmable memory containing 134,217,728 bits organized as 16,777,218 bytes (8 bits) or 8,388,608 words (16 bits). This 128Mb device is organized as one hundred twenty-eight 128KB erase blocks.

The MT28F640J3 contains 67,108,864 bits organized as 8,388,608 bytes (8 bits) or 4,194,304 words (16 bits). This 64Mb device is organized as sixty-four 128KB erase blocks.

Similarly, the MT28F320J3 contains 33,554,432 bits organized as 4,194,304 bytes (8 bits) or 2,097,152 words (16 bits). This 32Mb device is organized as thirty-two 128KB erase blocks.

These three devices feature in-system block locking. They also have common flash interface (CFI) that permits software algorithms to be used for entire families of devices. The software is device-independent, JEDEC ID-independent with forward and backward compatibility.

Additionally, the scalable command set (SCS) allows a single, simple software driver in all host systems to work with all SCS-compliant Flash memory devices. The SCS provides the fastest system/device data transfer rates and minimizes the device and system-level implementation costs.

To optimize the processor-memory interface, the device accommodates  $V_{PEN}$ , which is switchable during block erase, program, or lock bit configuration, or hardwired to  $V_{CC}$ , depending on the application.  $V_{PEN}$  is treated as an input pin to enable erasing, programming, and block locking. When  $V_{PEN}$  is lower than the  $V_{CC}$  lockout voltage ( $V_{LKO}$ ), all program functions are disabled. Block erase suspend mode enables the user to stop block erase to read data from or program data to any other blocks. Similarly, program suspend mode enables the user to suspend programming to read data or execute code from any unsuspended blocks.

$V_{PEN}$  serves as an input with 2.7V, 3.3V, or 5V for application programming.  $V_{PEN}$  in this Q-Flash™ family

can provide data protection when connected to ground. This pin also enables program or erase lockout during power transition.

Micron's even-sectored Q-Flash devices offer individual block locking that can lock and unlock a block using the sector lock bits command sequence.

Status (STS) is a logic signal output that gives an additional indicator of the internal state machine (ISM) activity by providing a hardware signal of both status and status masking. This status indicator minimizes central processing unit (CPU) overhead and system power consumption. In the default mode, STS acts as an RY/BY# pin. When LOW, STS indicates that the ISM is performing a block erase, program, or lock bit configuration. When HIGH, STS indicates that the ISM is ready for a new command.

Three chip enable (CE) pins are used for enabling and disabling the device by activating the device's control logic, input buffer, decoders, and sense amplifiers.

BYTE# enables selecting x8 or x16 READS/WRITEs to the device. BYTE# at logic LOW selects an 8-bit mode with address A0 selecting between the low byte and the high byte. BYTE# at logic HIGH enables 16-bit operation.

RP# is used to reset the device. When the device is disabled and RP# is at  $V_{CC}$ , the standby mode is enabled. A reset time ( $t_{RWH}$ ) is required after RP# switches HIGH until outputs are valid. Likewise, the device has a wake time ( $t_{RS}$ ) from RP# HIGH until WRITEs to the command user interface (CUI) are recognized. When RP# is at GND, it provides write protection, resets the ISM, and clears the status register.

A variant of the MT28F320J3 also supports the new security block lock feature for additional code security. This feature provides an OTP function for locking the top two blocks, the bottom two blocks, or the entire device. (Contact factory for availability.)

## DEVICE MARKING

Due to the size of the package, Micron's standard part number is not printed on the top of each device. Instead, an abbreviated device mark comprised of a

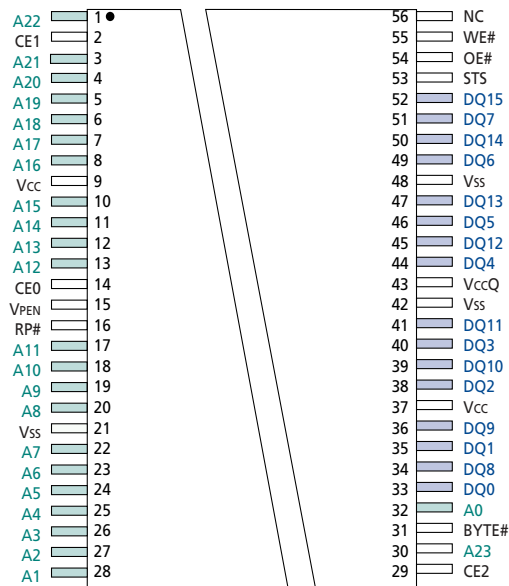
five-digit alphanumeric code is used. The abbreviated device marks are cross referenced to Micron part numbers in Table 1.

**Table 1**  
**Cross Reference for Abbreviated Device Marks**

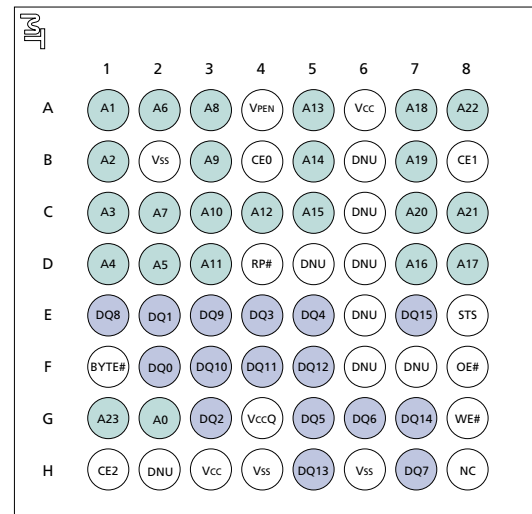
| PART NUMBER        | PRODUCT MARKING | ENGINEERING SAMPLE | QUALIFIED SAMPLE |
|--------------------|-----------------|--------------------|------------------|
| MT28F320J3FS-11    | FW201           | FX201              | FQ201            |
| MT28F320J3FS-11 ET | FW207           | FX207              | FQ207            |
| MT28F640J3FS-12    | FW202           | FX202              | FQ202            |
| MT28F640J3FS-12 ET | FW209           | FX209              | FQ209            |
| MT28F128J3FS-15    | FW203           | FX203              | FQ203            |
| MT28F128J3FS-15 ET | FW501           | FX501              | FQ501            |

## PIN/BALL ASSIGNMENT (Top View)

### 56-Pin TSOP Type I



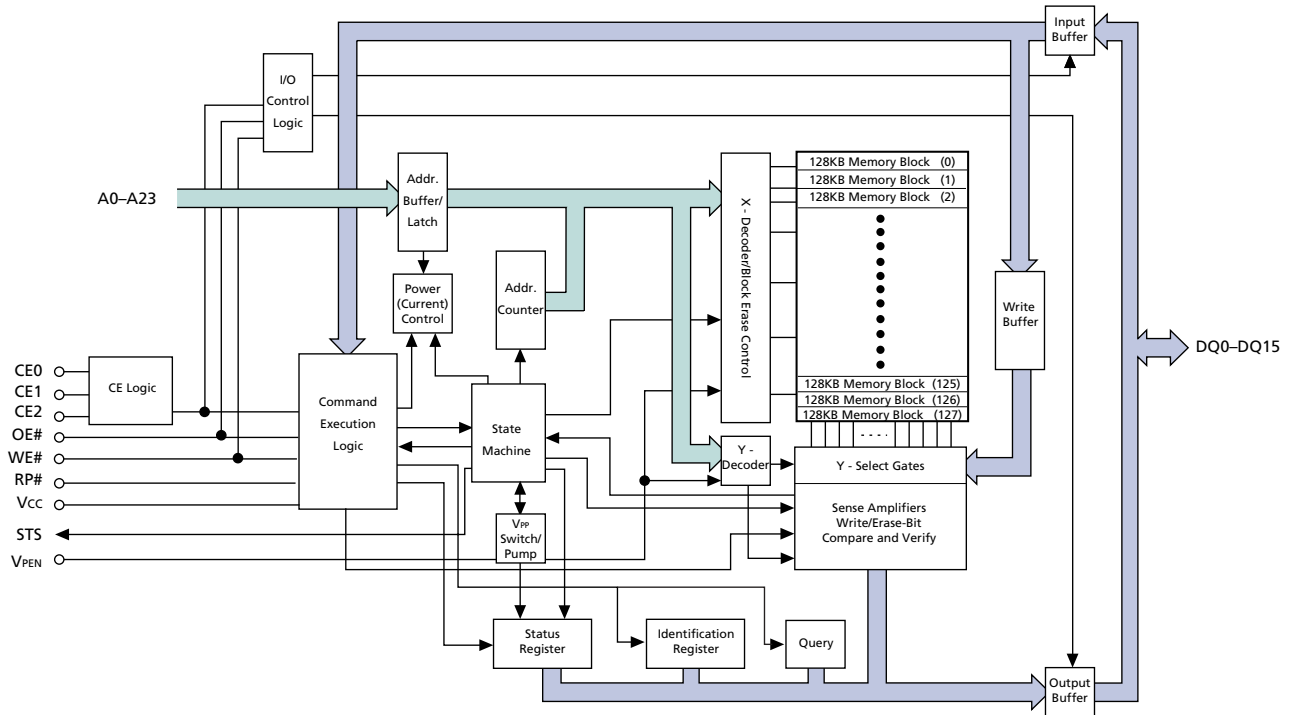
### 64-Ball FBGA



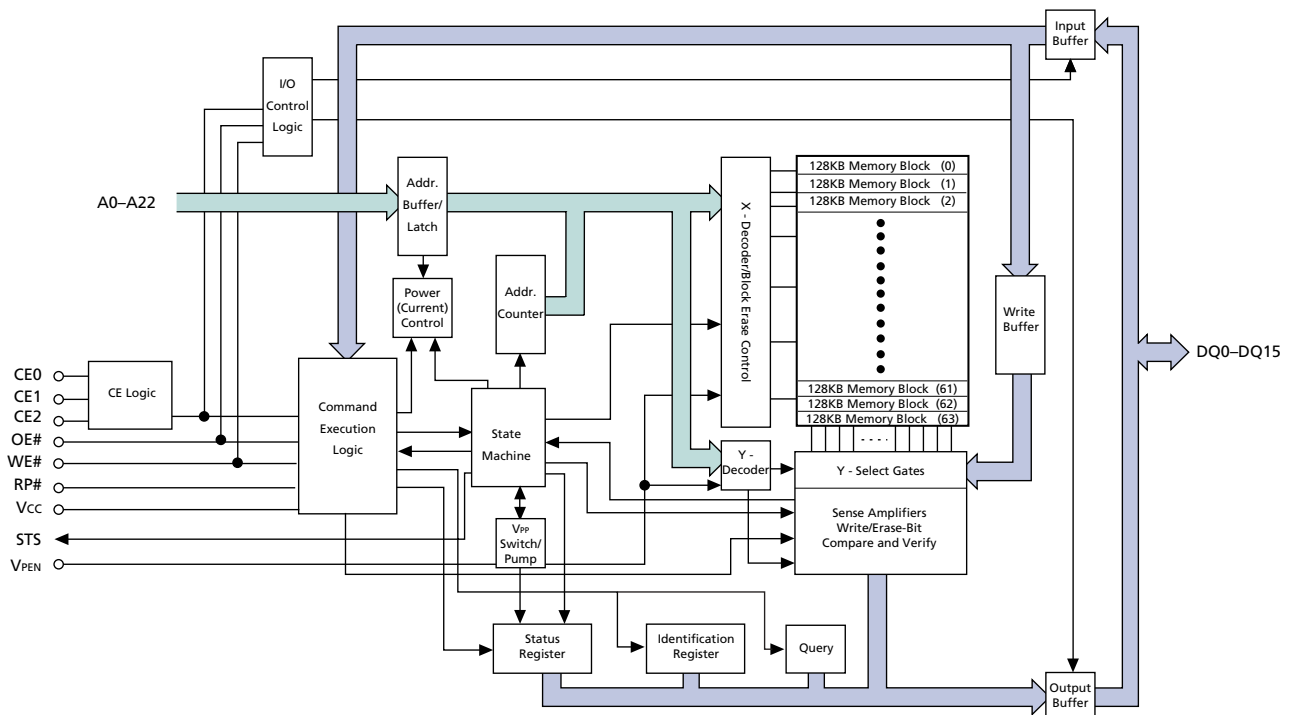
Top View  
(Ball Down)

- NOTE:**
1. A22 only exists on the 64Mb and 128Mb devices. On the 32Mb, this pin/ball is a no connect (NC).
  2. A23 only exists on the 128Mb device. On the 32Mb and 64Mb, this pin/ball is a no connect (NC).
  3. The # symbol indicates signal is active LOW.

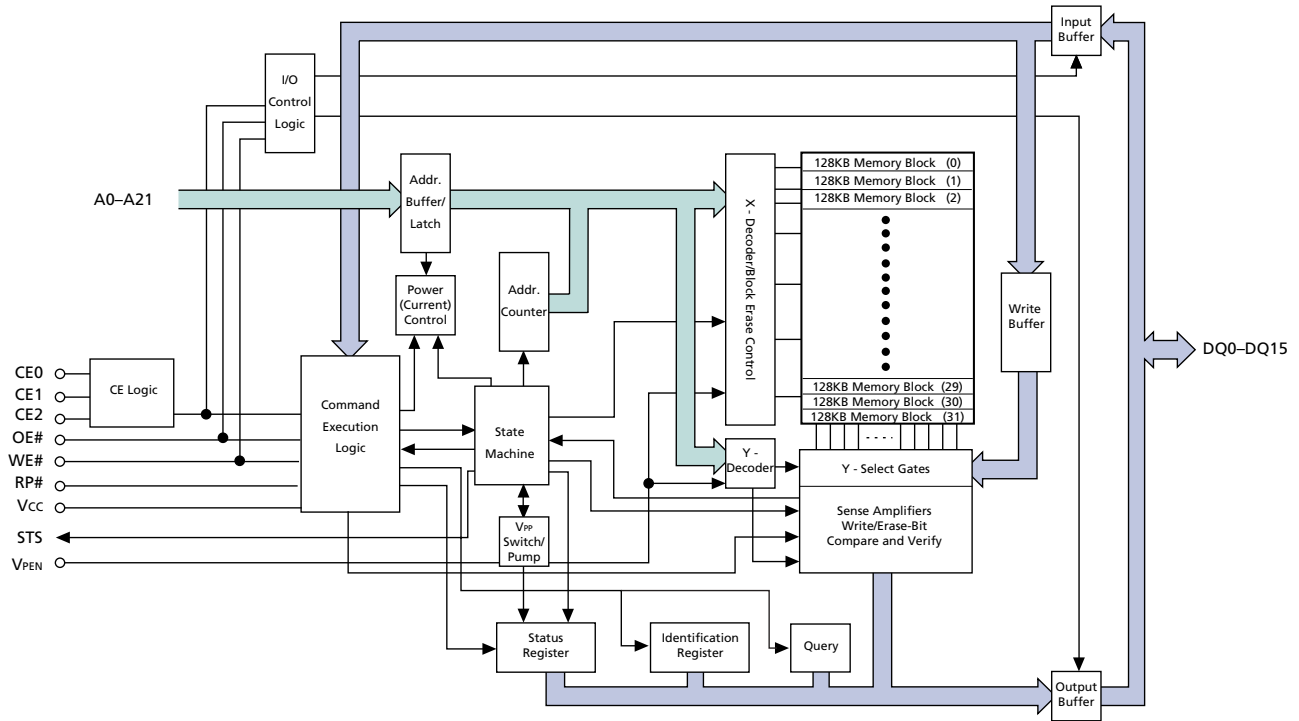
**FUNCTIONAL BLOCK DIAGRAM  
(128Mb)**



**FUNCTIONAL BLOCK DIAGRAM  
(64Mb)**



**FUNCTIONAL BLOCK DIAGRAM  
(32Mb)**



**PIN/BALL DESCRIPTIONS**

| 56-PIN TSOP NUMBERS                                                                     | 64-BALL FBGA NUMBERS                                                                           | SYMBOL                    | TYPE             | DESCRIPTION                                                                                                                                                                                                                                                                                                                                                                                                                                                |
|-----------------------------------------------------------------------------------------|------------------------------------------------------------------------------------------------|---------------------------|------------------|------------------------------------------------------------------------------------------------------------------------------------------------------------------------------------------------------------------------------------------------------------------------------------------------------------------------------------------------------------------------------------------------------------------------------------------------------------|
| 55                                                                                      | G8                                                                                             | WE#                       | Input            | Write Enable: Determines if a given cycle is a WRITE cycle. If WE# is LOW, the cycle is either a WRITE to the command execution logic (CEL) or to the memory array. Addresses and data are latched on the rising edge of the WE# pulse.                                                                                                                                                                                                                    |
| 14, 2, 29                                                                               | B4, B8, H1                                                                                     | CE0, CE1, CE2             | Input            | Chip Enable: Three CE pins enable the use of multiple Flash devices in the system without requiring additional logic. The device can be configured to use a single CE signal by tying CE1 and CE2 to ground and then using CE0 as CE. Device selection occurs with the first edge of CE0, CE1, or CE2 (CE <sub>x</sub> ) that enables the device. Device deselection occurs with the first edge of CE <sub>x</sub> that disables the device (see Table 2). |
| 16                                                                                      | D4                                                                                             | RP#                       | Input            | Reset/Power-Down: When LOW, RP# clears the status register, sets the ISM to the array read mode, and places the device in deep power-down mode. All inputs, including CE <sub>x</sub> , are "Don't Care," and all outputs are High-Z. RP# must be held at V <sub>IH</sub> during all other modes of operation.                                                                                                                                             |
| 54                                                                                      | F8                                                                                             | OE#                       | Input            | Output Enables: Enables data output buffers when LOW. When OE# is HIGH, the output buffers are disabled.                                                                                                                                                                                                                                                                                                                                                   |
| 32, 28, 27, 26, 25, 24, 23, 22, 20, 19, 18, 17, 13, 12, 11, 10, 8, 7, 6, 5, 4, 3, 1, 30 | G2, A1, B1, C1, D1, D2, A2, C2, A3, B3, C3, D3, C4, A5, B5, C5, D7, D8, A7, B7, C7, C8, A8, G1 | A0–A21/<br>(A22)<br>(A23) | Input            | Address inputs during READ and WRITE operations. A0 is only used in x8 mode. A22 (pin 1, ball A8) is only available on the 64Mb and 128Mb devices. A23 (pin 30, ball G1) is only available on the 128Mb device.                                                                                                                                                                                                                                            |
| 31                                                                                      | F1                                                                                             | BYTE#                     | Input            | BYTE# LOW places the device in the x8 mode. BYTE# HIGH places the device in the x16 mode and turns off the A0 input buffer. Address A1 becomes the lowest order address in x16 mode.                                                                                                                                                                                                                                                                       |
| 15                                                                                      | A4                                                                                             | V <sub>PEN</sub>          | Input            | Necessary voltage for erasing blocks, programming data, or configuring lock bits. Typically, V <sub>PEN</sub> is connected to V <sub>CC</sub> . When V <sub>PEN</sub> ≤ V <sub>PENLK</sub> , this pin enables hardware write protect.                                                                                                                                                                                                                      |
| 33, 35, 38, 40, 44, 46, 49, 51, 34, 36, 39, 41, 45, 47, 50, 52                          | F2, E2, G3, E4, E5, G5, G6, H7, E1, E3, F3, F4, F5, H5, G7, E7                                 | DQ0–<br>DQ15              | Input/<br>Output | Data I/O: Data output pins during any READ operation or data input pins during a WRITE. DQ8–DQ15 are not used in byte mode.                                                                                                                                                                                                                                                                                                                                |
| 53                                                                                      | E8                                                                                             | STS                       | Output           | Status: Indicates the status of the ISM. When configured in level mode, default mode it acts as an RY/BY# pin. When configured in its pulse mode, it can pulse to indicate program and/or erase completion. Tie STS to V <sub>CCQ</sub> through a pull-up resistor.                                                                                                                                                                                        |

(continued on next page)

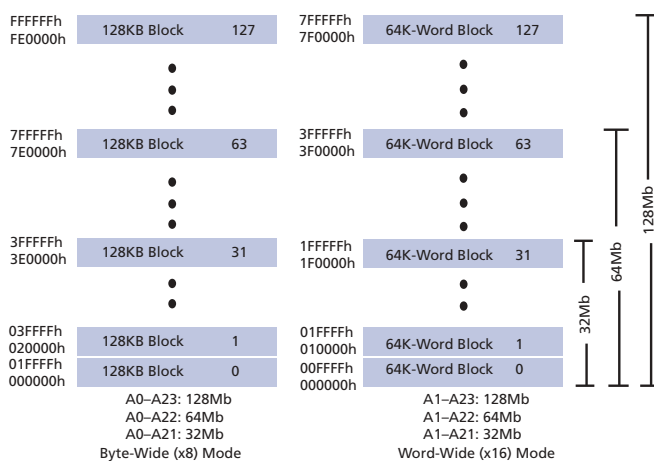
**PIN/BALL DESCRIPTIONS (continued)**

| 56-PIN TSOP NUMBERS | 64-BALL FBGA NUMBERS           | SYMBOL | TYPE   | DESCRIPTION                                                                                                                                                 |
|---------------------|--------------------------------|--------|--------|-------------------------------------------------------------------------------------------------------------------------------------------------------------|
| 43                  | G4                             | VccQ   | Supply | VccQ controls the output voltages. To obtain output voltage compatible with system data bus voltages, connect VccQ to the system supply voltage.            |
| 9, 37               | H3, A6                         | Vcc    | Supply | Power Supply: 2.7V to 3.6V.                                                                                                                                 |
| 21, 42, 48          | B2, H4, H6                     | Vss    | Supply | Ground.                                                                                                                                                     |
| 56                  | H8                             | NC     | –      | No Connect: These may be driven or left unconnected. Pin 1 and ball A8 are NCs on the 32Mb device. Pin 30 and ball G1 are NCs on the 32Mb and 64Mb devices. |
| –                   | B6, C6, D5, D6, E6, F6, F7, H2 | DNU    | –      | Do Not Use: Must float to minimize noise.                                                                                                                   |

## MEMORY ARCHITECTURE

The MT28F128J3, MT28F640J3, and MT28F320J3 memory array architecture is divided into one hundred twenty-eight, sixty-four, or thirty-two 128KB blocks, respectively (see Figure 1). The internal architecture allows greater flexibility when updating data because individual code portions can be updated independently of the rest of the code.

**Figure 1  
Memory Map**



## BUS OPERATION

All bus cycles to and from the Flash memory must conform to the standard microprocessor bus cycles. The local CPU reads and writes Flash memory in-system.

### READ

Information can be read from any block, query, identifier codes, or status register, regardless of the  $V_{PEN}$  voltage. The device automatically resets to read array mode upon initial device power-up or after exit from reset/power-down mode. To access other read mode commands (READ ARRAY, READ QUERY, READ IDENTIFIER CODES, or READ STATUS REGISTER), these commands should be issued to the CUI. Six control pins dictate the data flow in and out of the device: CE0, CE1, CE2, OE#, WE#, and RP#. In system designs using multiple Q-Flash devices, CE0, CE1, and CE2 (CE<sub>x</sub>) select the memory device (see Table 2). To drive data out of the device and onto the I/O bus, OE# must be active and WE# must be inactive ( $V_{IH}$ ).

When reading information in read array mode, the device defaults to asynchronous page mode, thus providing a high data transfer rate for memory subsystems. In this state, data is internally read and stored in a

**Table 2  
Chip Enable Truth Table**

| CE2      | CE1      | CE0      | DEVICE   |
|----------|----------|----------|----------|
| $V_{IL}$ | $V_{IL}$ | $V_{IL}$ | Enabled  |
| $V_{IL}$ | $V_{IL}$ | $V_{IH}$ | Disabled |
| $V_{IL}$ | $V_{IH}$ | $V_{IL}$ | Disabled |
| $V_{IL}$ | $V_{IH}$ | $V_{IH}$ | Disabled |
| $V_{IH}$ | $V_{IL}$ | $V_{IL}$ | Enabled  |
| $V_{IH}$ | $V_{IL}$ | $V_{IH}$ | Enabled  |
| $V_{IH}$ | $V_{IH}$ | $V_{IL}$ | Enabled  |
| $V_{IH}$ | $V_{IH}$ | $V_{IH}$ | Disabled |

**NOTE:** For single-chip applications, CE2 and CE1 can be connected to GND.

high-speed page buffer. A0–A2 select data in the page buffer. Asynchronous page mode, with a page size of four words or eight bytes, is supported with no additional commands required.

### OUTPUT DISABLE

The device outputs are disabled with OE# at a logic HIGH level ( $V_{IH}$ ). Output pins DQ0–DQ15 are placed in High-Z.

### STANDBY

CE0, CE1, and CE2 can disable the device (see Table 2) and place it in standby mode, which substantially reduces device power consumption. DQ0–DQ15 outputs are placed in High-Z, independent of OE#. If deselected during block erase, program, or lock bit configuration, the ISM continues functioning and consuming active power until the operation completes.

### RESET/POWER-DOWN

RP# puts the device into the reset/power-down mode when set to  $V_{IL}$ .

During read, RP# LOW deselects the memory, places output drivers in High-Z, and turns off internal circuitry. RP# must be held LOW for a minimum of  $t_{PLPH}$ .  $t_{RWH}$  is required after return from reset mode until initial memory access outputs are valid. After this wake-up interval, normal operation is restored. The command execution logic (CEL) is reset to the read array mode and the status register is set to 80h.

During block erase, program, or lock bit configuration, RP# LOW aborts the operation. In default mode, STS transitions LOW and remains LOW for a maximum time of  $t_{PLPH} + t_{PHRH}$ , until the RESET operation is complete. Any memory content changes are no longer



valid; the data may be partially corrupted after a program or partially changed after an erase or lock bit configuration. After RP# goes to logic HIGH (V<sub>IH</sub>), and after <sup>TR</sup>RS, another command can be written.

It is important to assert RP# during system reset. After coming out of reset, the system expects to read from the Flash memory. During block erase, program, or lock bit configuration mode, automated Flash memories provide status information when accessed. When a CPU reset occurs with no Flash memory reset, proper initialization may not occur because the Flash memory may be providing status information instead of array data. Micron Flash memories allow proper initialization following a system reset through the use of the RP# input. RP# should be controlled by the same RESET# signal that resets the system CPU.

**READ QUERY**

The READ QUERY operation produces block status information, CFI ID string, system interface information, device geometry information, and extended query information.

**READ IDENTIFIER CODES**

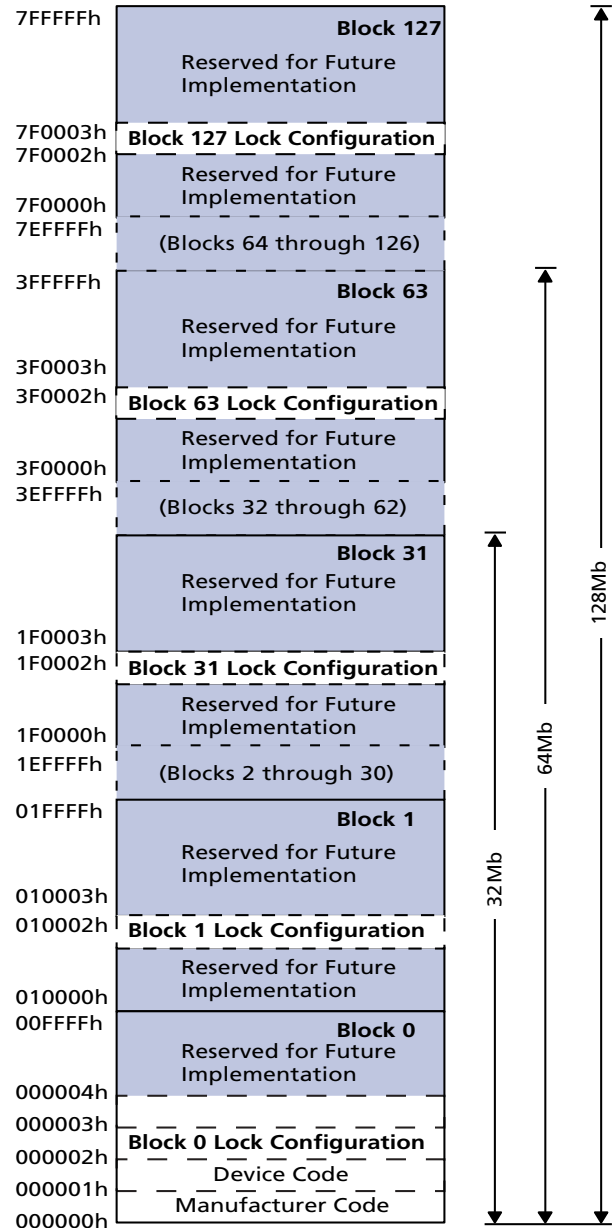
The READ IDENTIFIER CODES operation produces the manufacturer code, device code, and the block lock configuration codes for each block (see Figure 2). The block lock configuration codes identify locked and unlocked blocks.

**WRITE**

Writing commands to the CEL allows reading of device data, query, identifier codes, and reading and clearing of the status register. In addition, when V<sub>PEN</sub> = V<sub>PENH</sub>, block erasure, program, and lock bit configuration can also be performed.

The BLOCK ERASE command requires suitable command data and an address within the block. The BYTE/WORD PROGRAM command requires the command and address of the location to be written to. The CLEAR BLOCK LOCK BITS command requires the command and any address within the device. SET BLOCK LOCK BITS command requires the command and the block to be locked. The CEL does not occupy an addressable memory location. It is written to when the device is enabled and WE# is LOW. The address and data needed to execute a command are latched on the rising edge of WE# or the first edge of CEx that disables the device (see Table 2). Standard microprocessor write timings are used.

**Figure 2  
Device Identifier Code Memory Map**



**NOTE:** When obtaining these identifier codes, A0 is not used in either x8 or x16 modes. Data is always given on the LOW byte in x16 mode (upper byte contains 00h).

**Table 3  
Bus Operations**

| MODE                                               | RP#             | CE0, CE1,<br>CE2 <sup>1</sup> | OE# <sup>2</sup> | WE# <sup>2</sup> | ADDRESS         | V <sub>PEN</sub>  | DQ <sup>3</sup>                      | STS DEFAULT<br>MODE | NOTES     |
|----------------------------------------------------|-----------------|-------------------------------|------------------|------------------|-----------------|-------------------|--------------------------------------|---------------------|-----------|
| Read Array                                         | V <sub>IH</sub> | Enabled                       | V <sub>IL</sub>  | V <sub>IH</sub>  | X               | X                 | D <sub>OUT</sub>                     | High-Z <sup>4</sup> | 5, 6, 7   |
| Output Disable                                     | V <sub>IH</sub> | Enabled                       | V <sub>IH</sub>  | V <sub>IH</sub>  | X               | X                 | High-Z                               | X                   |           |
| Standby                                            | V <sub>IH</sub> | Disabled                      | X                | X                | X               | X                 | High-Z                               | X                   |           |
| Reset/Power-Down<br>Mode                           | V <sub>IL</sub> | X                             | X                | X                | X               | X                 | High-Z                               | High-Z <sup>4</sup> |           |
| Read Identifier Codes                              | V <sub>IH</sub> | Enabled                       | V <sub>IL</sub>  | V <sub>IH</sub>  | See<br>Figure 2 | X                 | Note 8                               | High-Z <sup>4</sup> |           |
| Read Query                                         | V <sub>IH</sub> | Enabled                       | V <sub>IL</sub>  | V <sub>IH</sub>  | See<br>Table 7  | X                 | Note 9                               | High-Z <sup>4</sup> |           |
| Read Status (ISM off)                              | V <sub>IH</sub> | Enabled                       | V <sub>IL</sub>  | V <sub>IH</sub>  | X               | X                 | D <sub>OUT</sub>                     |                     |           |
| Read Status (ISM on)<br>DQ7<br>DQ15–DQ8<br>DQ6–DQ0 | V <sub>IH</sub> | Enabled                       | V <sub>IL</sub>  | V <sub>IH</sub>  | X               | X                 | D <sub>OUT</sub><br>High-Z<br>High-Z |                     |           |
| Write                                              | V <sub>IH</sub> | Enabled                       | V <sub>IH</sub>  | V <sub>IL</sub>  | X               | V <sub>PENH</sub> | D <sub>IN</sub>                      | X                   | 7, 10, 11 |

- NOTE:**
- See Table 2 for valid CE configurations.
  - OE# and WE# should never be enabled simultaneously.
  - DQ refers to DQ0–DQ7 if BYTE# is LOW and DQ0–DQ15 if BYTE# is HIGH.
  - High-Z is V<sub>OH</sub> with an external pull-up resistor.
  - Refer to DC Characteristics. When V<sub>PEN</sub> ≤ V<sub>PENLK</sub>, memory contents can be read, but not altered.
  - X can be V<sub>IL</sub> or V<sub>IH</sub> for control and address pins, and V<sub>PENLK</sub> or V<sub>PENH</sub> for V<sub>PEN</sub>. See DC Characteristics for V<sub>PENLK</sub> and V<sub>PENH</sub> voltages.
  - In default mode, STS is V<sub>OL</sub> when the ISM is executing internal block erase, program, or lock bit configuration algorithms. It is V<sub>OH</sub> when the ISM is not busy, in block erase suspend mode (with programming inactive), program suspend mode, or reset/power-down mode.
  - See Read Identifier Codes section for read identifier code data.
  - See Read Query Mode Command section for read query data.
  - Command writes involving block erase, program, or lock bit configuration are reliably executed when V<sub>PEN</sub> = V<sub>PENH</sub> and V<sub>CC</sub> is within specification.
  - Refer to Table 4 for valid D<sub>IN</sub> during a WRITE operation.

## COMMAND DEFINITIONS

When the  $V_{PEN}$  voltage is less than  $V_{PPLK}$ , only READ operations from the status register, query, identifier codes, or blocks are enabled. Placing  $V_{PENH}$  on  $V_{PEN}$  enables BLOCK ERASE, PROGRAM, and LOCK BIT CON-

FIGURATION operations. Device operations are selected by writing specific commands into the CEL, as seen in Table 4.

**Table 4**  
**Micron Q-Flash Memory Command Set Definitions<sup>1</sup>**

| COMMAND                      | SCALABLE OR BASIC COMMAND SET <sup>2</sup> | BUS CYCLES REQ'D | FIRST BUS CYCLE   |                   |                      | SECOND BUS CYCLE  |                   |                      | NOTES*    |
|------------------------------|--------------------------------------------|------------------|-------------------|-------------------|----------------------|-------------------|-------------------|----------------------|-----------|
|                              |                                            |                  | OPER <sup>3</sup> | ADDR <sup>4</sup> | DATA <sup>5, 6</sup> | OPER <sup>3</sup> | ADDR <sup>4</sup> | DATA <sup>5, 6</sup> |           |
| READ ARRAY                   | SCS/BCS                                    | 1                | WRITE             | X                 | FFh                  |                   |                   |                      |           |
| READ IDENTIFIER CODES        | SCS/BCS                                    | ≥ 2              | WRITE             | X                 | 90h                  | READ              | IA                | ID                   | 7         |
| READ QUERY                   | SCS                                        | ≥ 2              | WRITE             | X                 | 98h                  | READ              | QA                | QD                   |           |
| READ STATUS REGISTER         | SCS/BCS                                    | 2                | WRITE             | X                 | 70h                  | READ              | X                 | SRD                  | 8         |
| CLEAR STATUS REGISTER        | SCS/BCS                                    | 1                | WRITE             | X                 | 50h                  |                   |                   |                      |           |
| WRITE TO BUFFER              | SCS/BCS                                    | > 2              | WRITE             | BA                | E8h                  | WRITE             | BA                | N                    | 9, 10, 11 |
| WORD/BYTE PROGRAM            | SCS/BCS                                    | 2                | WRITE             | X                 | 40h or 10h           | WRITE             | PA                | PD                   | 12, 13    |
| BLOCK ERASE                  | SCS/BCS                                    | 2                | WRITE             | BA                | 20h                  | WRITE             | BA                | D0h                  | 11, 12    |
| BLOCK ERASE, PROGRAM SUSPEND | SCS/BCS                                    | 1                | WRITE             | X                 | B0h                  |                   |                   |                      | 12, 14    |
| BLOCK ERASE, PROGRAM RESUME  | SCS/BCS                                    | 1                | WRITE             | X                 | D0h                  |                   |                   |                      | 12        |
| CONFIGURATION                | SCS                                        | 2                | WRITE             | X                 | B8h                  | WRITE             | X                 | CC                   |           |
| SET BLOCK LOCK BITS          | SCS                                        | 2                | WRITE             | X                 | 60h                  | WRITE             | BA                | 01h                  |           |
| CLEAR BLOCK LOCK BITS        | SCS                                        | 2                | WRITE             | X                 | 60h                  | WRITE             | X                 | D0h                  | 15        |
| PROTECTION PROGRAM           |                                            | 2                | WRITE             | X                 | C0h                  | WRITE             | PA                | PD                   |           |

\*Notes appear on the next page.

- NOTE:**
1. Commands other than those shown in Table 4 are reserved for future device implementations and should not be used.
  2. The SCS is also referred to as the extended command set.
  3. Bus operations are defined in Table 3.
  4. X = Any valid address within the device  
BA = Address within the block  
IA = Identifier code address; see Figure 2 and Table 15  
QA = Query data base address  
PA = Address of memory location to be programmed
  5. ID = Data read from identifier codes  
QD = Data read from query data base  
SRD = Data read from status register; see Table 16 for a description of the status register bits  
PD = Data to be programmed at location PA; data is latched on the rising edge of WE#  
CC = Configuration code
  6. The upper byte of the data bus (DQ8–DQ15) during command WRITES is a “Don’t Care” in x16 operation.
  7. Following the READ IDENTIFIER CODES command, READ operations access manufacturer, device, and block lock codes. See Block Status Register section for read identifier code data.
  8. If the ISM is running, only DQ7 is valid; DQ15–DQ8 and DQ6–DQ0 float, which places them in High-Z.
  9. After the WRITE-to-BUFFER command is issued, check the XSR to make sure a buffer is available for writing.
  10. The number of bytes/words to be written to the write buffer =  $n + 1$ , where  $n$  = byte/word count argument. Count ranges on this device for byte mode are  $n = 00h$  to  $n = 1Fh$  and for word mode,  $n = 0000h$  to  $n = 000Fh$ . The third and consecutive bus cycles, as determined by  $n$ , are for writing data into the write buffer. The CONFIRM command (D0h) is expected after exactly  $n + 1$  WRITE cycles; any other command at that point in the sequence aborts the WRITE-to-BUFFER operation. Please see Figure 4, WRITE-to-BUFFER Flowchart, for additional information.
  11. The WRITE-to-BUFFER or ERASE operation does not begin until a CONFIRM command (D0h) is issued.
  12. Attempts to issue a block erase or program to a locked block while RP# = V<sub>IH</sub> will fail.
  13. Either 40h or 10h is recognized by the ISM as the byte/word program setup.
  14. Program suspend can be issued after either the WRITE-to-BUFFER or WORD/BYTE PROGRAM operation is initiated.
  15. The CLEAR BLOCK LOCK BITS operation simultaneously clears all block lock bits.

## READ ARRAY COMMAND

The device defaults to read array mode upon initial device power-up and after exiting reset/power-down mode. The read configuration register defaults to asynchronous read page mode. Until another command is written, the READ ARRAY command also causes the device to enter read array mode. When the ISM has started a block erase, program, or lock bit configuration, the device does not recognize the READ ARRAY command until the ISM completes its operation, unless the ISM is suspended via an ERASE or PROGRAM SUSPEND command. The READ ARRAY command functions independently of the V<sub>PEN</sub> voltage.

## READ QUERY MODE COMMAND

This section is related to the definition of the data structure or “data base” returned by the CFI QUERY command. System software should retain this structure to gain critical information such as block size, density, x8/x16, and electrical specifications. When this information has been obtained, the software knows which command sets to use to enable Flash writes or block erases, and otherwise control the Flash component.

## QUERY STRUCTURE OUTPUT

The query “data base” enables system software to obtain information about controlling the Flash component. The device’s CFI-compliant interface allows the host system to access query data. Query data are always located on the lowest-order data outputs (DQ0–DQ7) only. The numerical offset value is the address relative to the maximum bus width supported by the device. On this family of devices, the query table device starting address is a 10h, which is a word address for x16 devices.

For a x16 organization, the first two bytes of the query structure, “Q” and “R” in ASCII, appear on the low byte at word addresses 10h and 11h. This CFI-compliant device outputs 00h data on upper bytes, thus making the device output ASCII “Q” on the LOW byte (DQ7–DQ0) and 00h on the HIGH byte (DQ15–DQ8). At query addresses containing two or more bytes of information, the least significant data byte is located at the lower address, and the most significant data byte is located at the higher address. This is summarized in Table 5. A more detailed example is provided in Table 6.

**Table 5**  
**Summary of Query Structure Output as a Function of Device and Mode**

| DEVICE TYPE/<br>MODE   | QUERY START LOCATION IN<br>MAXIMUM DEVICE BUS<br>WIDTH ADDRESSES | QUERY DATA WITH<br>MAXIMUM DEVICE BUS<br>WIDTH ADDRESSING |             |                | QUERY DATA WITH BYTE<br>ADDRESSING |             |                |
|------------------------|------------------------------------------------------------------|-----------------------------------------------------------|-------------|----------------|------------------------------------|-------------|----------------|
|                        |                                                                  | HEX<br>OFFSET                                             | HEX<br>CODE | ASCII<br>VALUE | HEX<br>OFFSET                      | HEX<br>CODE | ASCII<br>VALUE |
| x16 device<br>x16 mode | 10h                                                              | 10                                                        | 0051        | Q              | 20                                 | 51          | Q              |
|                        |                                                                  | 11                                                        | 0052        | R              | 21                                 | 00          | Null           |
|                        |                                                                  | 12                                                        | 0059        | Y              | 22                                 | 52          | R              |
| x16 device<br>x8 mode  | N/A <sup>1</sup>                                                 | N/A <sup>1</sup>                                          |             |                | 20                                 | 51          | Q              |
|                        |                                                                  | N/A <sup>1</sup>                                          |             |                | 21                                 | 51          | Q              |
|                        |                                                                  | N/A <sup>1</sup>                                          |             |                | 22                                 | 52          | R              |

**NOTE:** 1. The system must drive the lowest-order addresses to access all the device’s array data when the device is configured in x8 mode. Therefore, word addressing where these lower addresses are not toggled by the system is “Not Applicable” for x8-configured devices.

## QUERY STRUCTURE OVERVIEW

The QUERY command makes the Flash component display the CFI query structure or data base. The structure subsections and address locations are outlined in Table 7.

**Table 6**  
**Example of Query Structure Output of a x16- and x8-Capable Device**

| WORD ADDRESSING |          |           | BYTE ADDRESSING |          |          |
|-----------------|----------|-----------|-----------------|----------|----------|
| OFFSET          | HEX CODE | VALUE     | OFFSET          | HEX CODE | VALUE    |
| A16-A1          | DQ15-DQ0 |           | A7-A0           | DQ7-DQ0  |          |
| 0010h           | 0051     | Q         | 20h             | 51       | Q        |
| 0011h           | 0052     | R         | 21h             | 51       | Q        |
| 0012h           | 0059     | Y         | 22h             | 52       | R        |
| 0013h           | P_ID LO  | PrVendor  | 23h             | 52       | R        |
| 0014h           | P_ID HI  | ID #      | 24h             | 59       | Y        |
| 0015h           | P LO     | PrVendor  | 25h             | 59       | Y        |
| 0016h           | P HI     | TblAdr    | 26h             | P_ID LO  | PrVendor |
| 0017h           | A_ID LO  | AltVendor | 27h             | P_ID LO  | PrVendor |
| 0018h           | A_ID HI  | ID #      | 28h             | P_ID HI  | ID #     |
| ...             | ...      | ...       | ...             | ...      | ...      |

**Table 7**  
**Query Structure<sup>1</sup>**

| OFFSET               | SUBSECTION NAME                 | DESCRIPTION                                                                    |
|----------------------|---------------------------------|--------------------------------------------------------------------------------|
| 00h                  |                                 | Manufacturer compatibility code                                                |
| 01h                  |                                 | Device code                                                                    |
| (BA+2)h <sup>2</sup> | Block Status Register           | Block-specific information                                                     |
| 04-0Fh               | Reserved                        | Reserved for vendor-specific information                                       |
| 10h                  | CFI Query Identification String | Reserved for vendor-specific information                                       |
| 1Bh                  | System Interface Information    | Command set ID and vendor data offset                                          |
| 27h                  | Device Geometry Definition      | Flash device layout                                                            |
| P <sup>3</sup>       | Primary Extended Query Table    | Vendor-defined additional information specific to the primary vendor algorithm |

- NOTE:**
1. Refer to the Query Structure Output section and offset 28h for the detailed definition of offset address as a function of device bus width and mode.
  2. BA = Block address beginning location (i.e., 020000h is block two's beginning location when the block size is 64K-word).
  3. Offset 15 defines "P," which points to the Primary Extended Query Table.

### CFI QUERY IDENTIFICATION STRING

The CFI query identification string verifies whether the component supports the CFI specification. Addi-

tionally, it indicates the specification version and supported vendor-specified command set(s).

**Table 8  
Block Status Register**

| OFFSET               | LENGTH | DESCRIPTION                                          | ADDRESS <sup>1</sup> | VALUE          |
|----------------------|--------|------------------------------------------------------|----------------------|----------------|
| (BA+2)h <sup>1</sup> | 1      | Block Lock Status Register                           | (BA+2)h              | 00 or 01       |
|                      |        | BSR0 Block Lock Status<br>0 = Unlocked<br>1 = Locked | (BA+2)h              | (bit 0) 0 or 1 |
|                      |        | BSR1–7 Reserved for Future Use                       | (BA+2)h              | (bit 2–7) 0    |

**NOTE:** 1. BA = The beginning location of a block address (i.e., 010000h is block one's (64K-word) beginning location in word mode).

**Table 9  
CFI Identification**

| OFFSET | LENGTH | DESCRIPTION                                                                                                         | ADDRESS           | HEX CODE       | VALUE       |
|--------|--------|---------------------------------------------------------------------------------------------------------------------|-------------------|----------------|-------------|
| 10h    | 3      | Query-unique ASCII string "QRY"                                                                                     | 10h<br>11h<br>12h | 51<br>52<br>59 | Q<br>R<br>Y |
| 13h    | 2      | Primary vendor command set and control interface ID code. 16-bit ID code for vendor-specified algorithms            | 13h<br>14h        | 01<br>00       |             |
| 15h    | 2      | Extended query table primary algorithm address                                                                      | 15h<br>16h        | 31<br>00       |             |
| 17h    | 2      | Alternate vendor command set and control interface ID code; 0000h means no second vendor-specified algorithm exists | 17h<br>18h        | 00<br>00       |             |
| 19h    | 2      | Secondary algorithm extended query table address; 0000h means none exists                                           | 19h<br>1Ah        | 00<br>00       |             |

**SYSTEM INTERFACE INFORMATION**

Table 10 provides useful information about optimizing system interface software.

**Table 10  
System Interface Information**

| OFFSET | LENGTH | DESCRIPTION                                                                                                    | ADDRESS | HEX CODE | VALUE |
|--------|--------|----------------------------------------------------------------------------------------------------------------|---------|----------|-------|
| 1Bh    | 1      | V <sub>CC</sub> logic supply minimum program/erase voltage<br>Bits 0–3 BCD 100mV<br>Bits 4–7 BCD volts         | 1Bh     | 27       | 2.7V  |
| 1Ch    | 1      | V <sub>CC</sub> logic supply maximum program/erase voltage<br>Bits 0–3 BCD 100mV<br>Bits 4–7 BCD volts         | 1Ch     | 36       | 3.6V  |
| 1Dh    | 1      | V <sub>PP</sub> [programming] supply minimum program/erase voltage<br>Bits 0–3 BCD 100mV<br>Bits 4–7 Hex volts | 1Dh     | 00       | 0.0V  |
| 1Eh    | 1      | V <sub>PP</sub> [programming] supply maximum program/erase voltage<br>Bits 0–3 BCD 100mV<br>Bits 4–7 Hex volts | 1Eh     | 00       | 0.0V  |
| 1Fh    | 1      | "n" such that typical single word program timeout = 2 <sup>n</sup> μs                                          | 1Fh     | 07       | 128μs |
| 20h    | 1      | "n" such that typical max. buffer write timeout = 2 <sup>n</sup> μs                                            | 20h     | 07       | 128μs |
| 21h    | 1      | "n" such that typical block erase timeout = 2 <sup>n</sup> ms                                                  | 21h     | 0A       | 1s    |
| 22h    | 1      | "n" such that typical full chip erase timeout = 2 <sup>n</sup> ms                                              | 22h     | 00       | N/A   |
| 23h    | 1      | "n" such that maximum word program timeout = 2 <sup>n</sup> times typical                                      | 23h     | 04       | 2ms   |
| 24h    | 1      | "n" such that maximum buffer write timeout = 2 <sup>n</sup> times typical                                      | 24h     | 04       | 2ms   |
| 25h    | 1      | "n" such that maximum block erase timeout = 2 <sup>n</sup> times typical                                       | 25h     | 04       | 16s   |
| 26h    | 1      | "n" such that maximum chip erase timeout = 2 <sup>n</sup> times typical                                        | 26h     | 00       | N/A   |



**DEVICE GEOMETRY DEFINITION**

Tables 11a and 11b provide important details about the device geometry.

**Table 11a  
Device Geometry Definitions**

| OFFSET | LENGTH | DESCRIPTION                                                                                                                                                                                                                                                                                                                                                        | CODE<br>(see table below) |          |        |
|--------|--------|--------------------------------------------------------------------------------------------------------------------------------------------------------------------------------------------------------------------------------------------------------------------------------------------------------------------------------------------------------------------|---------------------------|----------|--------|
|        |        |                                                                                                                                                                                                                                                                                                                                                                    |                           |          |        |
| 27h    | 1      | "n" such that device size = 2 <sup>n</sup> in number of bytes                                                                                                                                                                                                                                                                                                      | 27h                       |          |        |
| 28h    | 2      | Flash device interface: x8 async, x16 async, x8/x16 async;<br>28:00 29:00, 28:01 29:00, 28:02 29:00                                                                                                                                                                                                                                                                | 28h<br>29h                | 02<br>00 | x8/x16 |
| 2Ah    | 2      | "n" such that maximum number of bytes in write<br>buffer = 2 <sup>n</sup>                                                                                                                                                                                                                                                                                          | 2Ah<br>2Bh                | 05<br>00 | 32     |
| 2Ch    | 1      | Number of erase block regions within device:<br>1. x = 0 means no erase blocking; the device erases in "bulk"<br>2. x specifies the number of device or partition regions<br>with one or more contiguous same-size erase blocks<br>3. Symmetrically blocked partitions have one blocking<br>region<br>4. Partition size = (total blocks) x (individual block size) | 2Ch                       | 01       | 1      |
| 2Dh    | 4      | Erase Block Region 1 Information<br>Bits 0–15 = y; y + 1 = number of identical-size erase blocks<br>Bits 16–31 = z; region erase block(s) size are z x 256 bytes                                                                                                                                                                                                   | 2Dh<br>2Eh<br>2Fh<br>30h  |          |        |

**Table 11b  
Device Geometry Definition Codes**

| ADDRESS | 32Mb | 64Mb | 128Mb |
|---------|------|------|-------|
| 27h     | 16   | 17   | 18    |
| 28h     | 02   | 02   | 02    |
| 29h     | 00   | 00   | 00    |
| 2Ah     | 05   | 05   | 05    |
| 2Bh     | 00   | 00   | 00    |
| 2Ch     | 01   | 01   | 01    |
| 2Dh     | 1F   | 3F   | 7F    |
| 2Eh     | 00   | 00   | 00    |
| 2Fh     | 00   | 00   | 00    |
| 30h     | 02   | 02   | 02    |

## PRIMARY VENDOR-SPECIFIC EXTENDED QUERY TABLE

Table 12 includes information about optional Flash features and commands and other similar information.

**Table 12  
Primary Vendor-Specific Extended Query**

| OFFSET <sup>1</sup><br>P = 31h | DESCRIPTION<br>(OPTIONAL FLASH FEATURES AND COMMANDS)                                                                                                                                                                                                                                                                                                                                                                                                                                                                                                                                                                                                   | ADDRESS | HEX<br>CODE | VALUE |
|--------------------------------|---------------------------------------------------------------------------------------------------------------------------------------------------------------------------------------------------------------------------------------------------------------------------------------------------------------------------------------------------------------------------------------------------------------------------------------------------------------------------------------------------------------------------------------------------------------------------------------------------------------------------------------------------------|---------|-------------|-------|
| (P+0)h                         | Primary extended query table                                                                                                                                                                                                                                                                                                                                                                                                                                                                                                                                                                                                                            | 31h     | 50          | P     |
| (P+1)h                         | Unique ASCII string, PRI                                                                                                                                                                                                                                                                                                                                                                                                                                                                                                                                                                                                                                | 32h     | 52          | R     |
| (P+2)h                         |                                                                                                                                                                                                                                                                                                                                                                                                                                                                                                                                                                                                                                                         | 33h     | 49          | I     |
| (P+3)h                         | Major version number, ASCII                                                                                                                                                                                                                                                                                                                                                                                                                                                                                                                                                                                                                             | 34h     | 31          | 1     |
| (P+4)h                         | Minor version number, ASCII                                                                                                                                                                                                                                                                                                                                                                                                                                                                                                                                                                                                                             | 35h     | 31          | 1     |
| (P+5)h                         | Optional feature and command support (1 = yes, 0 = no) bits 9–31 are reserved; undefined bits are “0.” If bit 31 is “1,” then another 31-bit field of optional features follows at the end of the bit 30 field.<br>Bit 0 Chip erase supported = no = 0<br>Bit 1 Suspend erase supported = yes = 1<br>Bit 2 Suspend program supported = yes = 1<br>Bit 3 Legacy lock/unlock supported = yes = 1 <sup>1</sup><br>Bit 4 Queued erase supported = no = 0<br>Bit 5 Instant Individual block locking supported = no = 0<br>Bit 6 Protection bits supported = yes = 1<br>Bit 7 Page mode read supported = yes = 1<br>Bit 8 Synchronous read supported = no = 0 | 36h     | 0A          |       |
| (P+6)h                         |                                                                                                                                                                                                                                                                                                                                                                                                                                                                                                                                                                                                                                                         | 37h     | 00          |       |
| (P+7)h                         |                                                                                                                                                                                                                                                                                                                                                                                                                                                                                                                                                                                                                                                         | 38h     | 00          |       |
| (P+8)h                         |                                                                                                                                                                                                                                                                                                                                                                                                                                                                                                                                                                                                                                                         | 39h     | 0           |       |
|                                |                                                                                                                                                                                                                                                                                                                                                                                                                                                                                                                                                                                                                                                         |         |             |       |
| (P+9)h                         | Supported functions after suspend: read array, status, query<br>Other supported operations:<br>Bits 1–7 Reserved; undefined bits are “0”<br>Bit 0 Program supported after erase suspend = yes = 1                                                                                                                                                                                                                                                                                                                                                                                                                                                       | 3Ah     | 01          |       |
| (P+A)h                         | Block status register mask<br>Bits 2–15 Reserved; undefined bits are “0”<br>Bit 0 Block lock bit status register active = yes = 1<br>Bit 1 Block lock down bit status active = no = 0                                                                                                                                                                                                                                                                                                                                                                                                                                                                   | 3Bh     | 01          |       |
| (P+B)h                         |                                                                                                                                                                                                                                                                                                                                                                                                                                                                                                                                                                                                                                                         | 3Ch     | 00          |       |
| (P+C)h                         | Vcc logic supply highest-performance program/erase voltage<br>Bits 0–3 BCD value in 100mV<br>Bits 4–7 BCD value in volts                                                                                                                                                                                                                                                                                                                                                                                                                                                                                                                                | 3Dh     | 33          | 3.3V  |
| (P+D)h                         | Vpp optimum program/erase supply voltage<br>Bits 0–3 BCD value in 100mV<br>Bits 4–7 Hex value in volts                                                                                                                                                                                                                                                                                                                                                                                                                                                                                                                                                  | 3Eh     | 00          | 0.0V  |

**NOTE:** 1. Future devices may not support the described “Legacy Lock/Unlock” function. On these devices, bit 3 would have a value of “0.”

**Table 13  
Protection Register Information**

| <b>OFFSET<sup>1</sup><br/>P = 31h</b>   | <b>DESCRIPTION<br/>(OPTIONAL FLASH FEATURES AND COMMANDS)</b>                                                                                                                                                                                                                                                                                                                                                                                                                                                                                                                                                                                          | <b>ADDRESS</b> | <b>HEX</b> | <b>VALUE<br/>CODE</b> |
|-----------------------------------------|--------------------------------------------------------------------------------------------------------------------------------------------------------------------------------------------------------------------------------------------------------------------------------------------------------------------------------------------------------------------------------------------------------------------------------------------------------------------------------------------------------------------------------------------------------------------------------------------------------------------------------------------------------|----------------|------------|-----------------------|
| (P+E)h                                  | Number of protection register fields in JEDEC ID space. "00h" indicates that 256 protection bytes are available.                                                                                                                                                                                                                                                                                                                                                                                                                                                                                                                                       | 3Fh            | 01         | 01                    |
| (P+F)h<br>(P+10)h<br>(P+11)h<br>(P+12)h | Protection Field 1: Protection Description<br>This field describes user-available, one-time programmable (OTP) protection register bytes. Some are preprogrammed with device-unique serial numbers; others are user-programmable. Bits 0–15 point to the protection register lock byte, the section's first byte. The following bytes are factory-preprogrammed and user-programmable.<br>Bits 0–7 Lock/bytes JEDEC-plane physical low address<br>Bits 8–15 Lock/bytes JEDEC-plane physical high address<br>Bits 16–23 "n" such that 2 <sup>n</sup> = factory preprogrammed bytes<br>Bits 24–31 "n" such that 2 <sup>n</sup> = user-programmable bytes | 40h            | 00         | 00h                   |

**Table 14  
Burst Read Information**

| <b>OFFSET<sup>1</sup><br/>P = 31h</b> | <b>DESCRIPTION<br/>(OPTIONAL FLASH FEATURES AND COMMANDS)</b>                                                                                                                                                                              | <b>ADDRESS</b> | <b>HEX</b> | <b>VALUE<br/>CODE</b> |
|---------------------------------------|--------------------------------------------------------------------------------------------------------------------------------------------------------------------------------------------------------------------------------------------|----------------|------------|-----------------------|
| (P+13)h                               | Page Mode Read Capability<br>Bits 0–7 = "n" such that 2 <sup>n</sup> Hex value represents the number of read page bytes. See offset 28h for device word width to determine page mode data output width. 00h indicates no read page buffer. | 44h            | 03         | 8 byte                |
| (P+14)h                               | Number of synchronous mode read configuration fields that follow. 00h indicates no burst capability.                                                                                                                                       | 45h            | 00         |                       |
| (P+15)h                               | Reserved for future use.                                                                                                                                                                                                                   | 46h            |            |                       |

**NOTE:** 1. The variable "P" is a pointer which is defined at CFI offset 15h.

### READ IDENTIFIER CODES COMMAND

Writing the READ IDENTIFIER CODES command initiates the IDENTIFIER CODE operation. Following the writing of the command, READ cycles from addresses shown in Figure 2 retrieve the manufacturer, device, and block lock configuration codes (see Table 15 for identifier code values). Page mode READs are not supported in this read mode. To terminate the operation, write another valid command. The READ IDENTIFIER CODES command functions independently of the  $V_{PEN}$  voltage. This command is valid only when the ISM is off or the device is suspended. See Table 15 for read identifier codes.

### READ STATUS REGISTER COMMAND

The status register may be read at any time by writing the READ STATUS REGISTER command to determine the successful completion of programming, block

erasure, or lock bit configuration. After writing this command, all subsequent READ operations output data from the status register until another valid command is written. Page mode READs are not supported in this read mode. The status register contents are latched on the falling edge of OE# or the first edge of CEX that enables the device (see Table 2). To update the status register latch, OE# must toggle to  $V_{IH}$  or the device must be disabled before further READs. The READ STATUS REGISTER command functions independently of the  $V_{PEN}$  voltage. During a program, block erase, set block lock bits, or clear block lock bits command sequence, only SR7 is valid until the ISM completes or suspends the operation. Device I/O pins DQ0–DQ6 and DQ8–DQ15 are placed in High-Z. When the operation completes or suspends (check status register bit 7), all contents of the status register are valid during a READ.

**Table 15**  
**Identifier Codes**

| CODE                            | ADDRESS <sup>1</sup> | DATA    |
|---------------------------------|----------------------|---------|
| Manufacturer Compatibility Code | 00000h               | (00) 89 |
| Device Code                     |                      |         |
| • 32Mb                          | 00001h               | (00) 16 |
| • 64Mb                          | 00001h               | (00) 17 |
| • 128Mb                         | 00001h               | (00) 18 |
| Block Lock Configuration        | X0002h <sup>2</sup>  |         |
| • Block is Unlocked             |                      | DQ0 = 0 |
| • Block is Locked               |                      | DQ0 = 1 |
| • Reserved for Future Use       |                      | DQ1–DQ7 |

- NOTE:**
1. A0 is not used in either x8 or x16 modes when obtaining the identifier codes. The lowest-order address line is A1. Data is always presented on the low byte in x16 mode (upper byte contains 00h).
  2. X selects the specific block's lock configuration code. See Figure 2 for the device identifier code memory map.

**Table 16  
Status Register Definitions**

| ISMS | ESS | ECLBS | PSLBS | VPENS | PSS | DPS | R |
|------|-----|-------|-------|-------|-----|-----|---|
| 7    | 6   | 5     | 4     | 3     | 2   | 1   | 0 |

| HIGH-Z WHEN BUSY? | STATUS REGISTER BITS                                                                                                                                  | NOTES                                                                                                                                                                                                                                                                                                                                                                                                                                                                                              |
|-------------------|-------------------------------------------------------------------------------------------------------------------------------------------------------|----------------------------------------------------------------------------------------------------------------------------------------------------------------------------------------------------------------------------------------------------------------------------------------------------------------------------------------------------------------------------------------------------------------------------------------------------------------------------------------------------|
| No                | SR7 = WRITE STATE MACHINE STATUS (ISMS)<br>1 = Ready<br>0 = Busy                                                                                      | Check STS or SR7 to determine block erase, program, or lock bit configuration completion. SR6–SR0 are not driven while SR7 = 0.                                                                                                                                                                                                                                                                                                                                                                    |
| Yes               | SR6 = ERASE SUSPEND STATUS (ESS)<br>1 = Block Erase Suspended<br>0 = Block Erase in Progress/Completed                                                |                                                                                                                                                                                                                                                                                                                                                                                                                                                                                                    |
| Yes               | SR5 = ERASE AND CLEAR LOCK BITS STATUS (ECLBS)<br>1 = Error in Block Erasure or Clear Lock Bits<br>0 = Successful Block Erase or Clear Lock Bits      | If both SR5 and SR4 are “1s” after a block erase or lock bit configuration attempt, an improper command sequence was entered.                                                                                                                                                                                                                                                                                                                                                                      |
| Yes               | SR4 = PROGRAM AND SET LOCK BIT STATUS (PSLBS)<br>1 = Error in Programming or Setting Block Lock Bits<br>0 = Successful Program or Set Block Lock Bits |                                                                                                                                                                                                                                                                                                                                                                                                                                                                                                    |
| Yes               | SR3 = PROGRAMMING VOLTAGE STATUS (VPENS)<br>1 = Low Programming Voltage Detected, Operation Aborted<br>0 = Programming Voltage OK                     | SR3 does not provide a continuous programming voltage level indication. The ISM interrogates and indicates the programming voltage level only after block erase, program, set block lock bits, or clear block lock bits command sequences.                                                                                                                                                                                                                                                         |
| Yes               | SR2 = PROGRAM SUSPEND STATUS (PSS)<br>1 = Program Suspended<br>0 = Program in Progress/Completed                                                      |                                                                                                                                                                                                                                                                                                                                                                                                                                                                                                    |
| Yes               | SR1 = DEVICE PROTECT STATUS (DPS)<br>1 = Block Lock Bit Detected, Operation Aborted<br>0 = Unlock                                                     | SR1 does not provide a continuous indication of block lock bit values. The ISM interrogates the block lock bits only after block erase, program, or lock bit configuration command sequences. It informs the system, depending on the attempted operation, if the block lock bit is set. Read the block lock configuration codes using the READ IDENTIFIER CODES command to determine block lock bit status. SR0 is reserved for future use and should be masked when polling the status register. |
| Yes               | SR0 = RESERVED FOR FUTURE ENHANCEMENTS                                                                                                                |                                                                                                                                                                                                                                                                                                                                                                                                                                                                                                    |

**Table 17  
Extended Status Register Definitions (XSR)**

|            |                 |
|------------|-----------------|
| <b>WBS</b> | <b>RESERVED</b> |
| <b>7</b>   | <b>6-0</b>      |

| <b>HIGH-Z WHEN BUSY?</b> | <b>STATUS REGISTER BITS</b>                                                                      | <b>NOTES</b>                                                                               |
|--------------------------|--------------------------------------------------------------------------------------------------|--------------------------------------------------------------------------------------------|
| <b>No</b>                | XSR7 = WRITE BUFFER STATUS (WBS)<br>1 = Write Buffer Available<br>0 = Write Buffer Not Available | After a BUFFER WRITE command, XSR7 = 1 indicates that a write buffer is available.         |
| <b>Yes</b>               | XSR6–XSR0 = RESERVED FOR FUTURE ENHANCEMENTS                                                     | SR6–SR0 are reserved for future use and should be masked when polling the status register. |

### CLEAR STATUS REGISTER COMMAND

The ISM sets the status register bits SR5, SR4, SR3, and SR1 to “1s.” These bits, which indicate various failure conditions, can only be reset by the CLEAR STATUS REGISTER command. Allowing system software to reset these bits can perform several operations (such as cumulatively erasing or locking multiple blocks or writing several bytes in sequence). To determine if an error occurred during the sequence, the status register may be polled. To clear the status register, the CLEAR STATUS REGISTER command (50h) is written. The CLEAR STATUS REGISTER command functions independently of the applied  $V_{PEN}$  voltage and is only valid when the ISM is off or the device is suspended.

### BLOCK ERASE COMMAND

The BLOCK ERASE command is a two-cycle command that erases one block. First, a block erase setup is written, followed by a block erase confirm. This command sequence requires an appropriate address within the block to be erased. The ISM handles all block preconditioning, erase, and verify. Time  $t_{WB}$  after the two-cycle block erase sequence is written, the device automatically outputs status register data when read. The CPU can detect block erase completion by analyzing the output of the STS pin or status register bit SR7. Toggle OE# or CEx to update the status register. Upon block erase completion, status register bit SR5 should be checked to detect any block erase error. When an error is detected, the status register should be cleared before system software attempts corrective actions. The CEL remains in read status register mode until a new command is issued. This two-step setup command sequence ensures that block contents are not accidentally erased. An invalid block erase command sequence

results in status register bits SR4 and SR5 being set to “1.” Also, reliable block erasure can only occur when  $V_{CC}$  is valid and  $V_{PEN} = V_{PENH}$ . Note that SR3 and SR5 are set to “1” if block erase is attempted while  $V_{PEN} \leq V_{PENLK}$ . Successful block erase requires that the corresponding block lock bit be cleared. Similarly, SR1 and SR5 are set to “1” if block erase is attempted when the corresponding block lock bit is set.

### BLOCK ERASE SUSPEND COMMAND

The BLOCK ERASE SUSPEND command allows block erase interruption in order to read or program data in another block of memory. Writing the BLOCK ERASE SUSPEND command immediately after starting the block erase process requests that the ISM suspend the block erase sequence at an appropriate point in the algorithm. When reading after the BLOCK ERASE SUSPEND command is written, the device outputs status register data. Polling status register bit SR7, followed by SR6, shows when the BLOCK ERASE operation has been suspended. In the default mode, STS also transitions to  $V_{OH}$ .  $t_{LES}$  defines the block erase suspend latency. At this point, a READ ARRAY command can be written to read data from blocks other than that which is suspended. During erase suspend to program data in other blocks, a program command sequence can also be issued. During a PROGRAM operation with block erase suspended, status register bit SR7 returns to “0” and STS output (in default mode) transitions to  $V_{OL}$ . However, SR6 remains “1” to indicate block erase suspend status. Using the PROGRAM SUSPEND command, a PROGRAM operation can also be suspended. Resuming a suspended programming operation by issuing the PROGRAM RESUME command

enables the suspended programming operation to continue. To resume the suspended erase, the user must wait for the programming operation to complete before issuing the BLOCK ERASE RESUME command. While block erase is suspended, the only other valid commands are READ QUERY, READ STATUS REGISTER, CLEAR STATUS REGISTER, CONFIGURE, and BLOCK ERASE RESUME. After a BLOCK ERASE RESUME command to the Flash memory is completed, the ISM continues the block erase process. Status register bits SR6 and SR7 automatically clear and STS (in default mode) returns to VOL. After the ERASE RESUME command is completed, the device automatically outputs status register data when read.  $V_{PEN}$  must remain at  $V_{PENH}$  (the same  $V_{PEN}$  level used for block erase) during block erase suspension. Block erase cannot resume during block erase suspend until PROGRAM operations are complete.

## WRITE-TO-BUFFER COMMAND

The write-to-buffer command sequence is initiated to program the Flash device via the write buffer. A buffer can be loaded with a variable number of bytes, up to the buffer size, before writing to the Flash device. First, the WRITE-to-BUFFER SETUP command is issued, along with the block address (see Figure 4). Then, the extended status register (XSR; see Table 17) information is loaded and XSR7 indicates “buffer available” status. If XSR7 = 0, the write buffer is not available. To retry, issue the WRITE-to-BUFFER SETUP command with the block address and continue monitoring XSR7 until XSR7 = 1. When XSR7 transitions to “1,” the buffer is ready for loading new data. Then the part is given a word/byte count with the block address. On the next write, a device start address is given, along with the write buffer data. Depending on the count, subsequent writes provide additional device addresses and data. All subsequent addresses must lie within the start address plus the count.

The device internally programs many Flash cells in parallel. Due to this parallel programming, maximum programming performance and lower power are obtained by aligning the start address at the beginning of a write buffer boundary (i.e., A0–A4 of the start address = 0).

When the final buffer data is given, a WRITE CONFIRM command is issued, thus programming the ISM to begin copying the buffer data to the Flash array. If the device receives a command other than WRITE CONFIRM, an invalid command/sequence error is generated and status register bits SR5 and SR4 are set to “1.” For additional BUFFER WRITES, issue another WRITE-to-BUFFER SETUP command and check XSR7.

If an error occurs during a WRITE, the device stops writing, and status register bit SR4 is set to a “1” to indicate a program failure. The ISM only detects errors for “1s” that do not successfully program to “0s.” When a program error is detected, the status register should be cleared. Note that the device does not accept any more WRITE-to-BUFFER commands any time SR4 and/or SR5 is set. In addition, if the user attempts to program past an erase block boundary with a WRITE-to-BUFFER command, the device aborts the WRITE-to-BUFFER operation and generates an invalid command/sequence error, and status register bits SR5 and SR4 are set to “1.”

Reliable BUFFERED WRITES can only occur when  $V_{PEN} = V_{PENH}$ . If a BUFFERED WRITE is attempted while  $V_{PEN} \leq V_{PENLK}$ , status register bits SR4 and SR3 are set to “1.” Buffered write attempts with invalid  $V_{CC}$  and  $V_{PEN}$  voltages produce spurious results and should not be attempted. Finally, the corresponding block lock bit should be reset for successful programming. When a BUFFERED WRITE is attempted while the corresponding block lock bit is set, SR1 and SR4 are set to “1.”

## BYTE/WORD PROGRAM COMMANDS

A two-cycle command sequence executes a byte/word program setup. This program setup (standard 40h or alternate 10h) is written, followed by a second write that specifies the address and data (latched on the rising edge of WE#). Next, the ISM takes over to internally control the programming and program verify algorithms. When the program sequence is written, the device automatically outputs status register data when read (see Figure 5). The CPU can detect the completion of the program event by analyzing the STS pin or status register bit SR7.

Upon program completion, status register bit SR4 should be checked. The status register should be cleared if a program error is detected. The ISM only detects errors for “1s” that do not successfully program to “0s.” The CEL remains in read status register mode until it receives another command.

Reliable byte/word programs can only occur when  $V_{CC}$  and  $V_{PEN}$  are valid. Status register bits SR4 and SR3 are set to “1” if a byte/word program is attempted while  $V_{PEN} \leq V_{PENLK}$ . The corresponding block lock bit should be cleared for successful byte/word programs. If BYTE/WORD is attempted while the corresponding block lock bit is set, SR1 and SR4 are set to “1.”

## PROGRAM SUSPEND COMMAND

The PROGRAM SUSPEND command enables program interruption to read data in other Flash memory locations. After starting the programming process, writ-



ing the PROGRAM SUSPEND command requests that the ISM suspend the program sequence at a predetermined point in the algorithm. When the PROGRAM SUSPEND command is written, the device continues to output status register data when read. Polling status register bit SR7 can determine when the programming operation has been suspended. When SR7 = 1, SR2 is also set to "1" to indicate that the device is in the program suspend mode. STS in RY/BY# level mode also transitions to V<sub>OH</sub>. Note that t<sub>LPS</sub> defines the program suspend latency.

Hence, a READ ARRAY command can be written to read data from unsuspending locations. While programming is suspended, the only other valid commands are READ QUERY, READ STATUS REGISTER, CLEAR STATUS REGISTER, CONFIGURE, and PROGRAM RESUME. When the PROGRAM RESUME command is written, the ISM continues the programming process. Status register bits SR2 and SR7 automatically clear and STS in RY/BY# mode returns to V<sub>OL</sub>. After the PROGRAM RESUME command is written, the device automatically outputs status register data when read. V<sub>PEN</sub> must remain at V<sub>PENH</sub> and V<sub>CC</sub> must remain at valid V<sub>CC</sub> levels (the same V<sub>PEN</sub> and V<sub>CC</sub> levels used for programming) while in program suspend mode. Refer to Figure 6 (PROGRAM SUSPEND/RESUME Flowchart).

### **SET READ CONFIGURATION COMMAND**

Q-Flash memory does not support the SET READ CONFIGURATION command. The devices default to the asynchronous page mode. If this command is given, the operation of the device will not be affected.

### **READ CONFIGURATION**

Micron's Q-Flash devices support both asynchronous page mode and standard word/byte READs without configuration requirement. Status register and identifier only support standard word/byte single READ operations.

### **STS CONFIGURATION COMMAND**

Using the CONFIGURATION command, the STS pin can be configured to different states. Once configured, the STS pin remains in that configuration until another configuration command is issued, RP# is asserted LOW, or the device is powered down. Initially, the STS pin defaults to RY/BY# operation where RY/BY# goes LOW to indicate that the state machine is busy. When HIGH, RY/BY# indicates that either the state machine is ready for a new operation or it is suspended. Table 18, Configuration Coding Definitions, shows the possible STS configurations. To change the STS pin to other modes, the CONFIGURATION command is given, followed by the desired configuration code. The three alternate configurations are all pulse modes and may be used as a system interrupt. With these configurations, bit 0 controls erase complete interrupt pulse, and bit 1 controls program complete interrupt pulse. Providing the 00h configuration code with the CONFIGURATION command resets the STS pin to the default RY/BY# level mode. Table 18 describes possible configurations and usage. The CONFIGURATION command can only be given when the device is not busy or suspended. When configured in one of the pulse modes, the STS pin pulses LOW with a typical pulse width of 250ns. Check SR7 for device status. An invalid configuration code results in status register bits SR4 and SR5 being set to "1."



**Table 18  
Configuration Coding Definitions<sup>1</sup>**

| DQ7                                                       | DQ6 | DQ5 | DQ4 | DQ3                                                                                                                                                                                                                                | DQ2 | DQ1                                          | DQ0                                        |
|-----------------------------------------------------------|-----|-----|-----|------------------------------------------------------------------------------------------------------------------------------------------------------------------------------------------------------------------------------------|-----|----------------------------------------------|--------------------------------------------|
| <b>RESERVED</b>                                           |     |     |     |                                                                                                                                                                                                                                    |     | <b>PULSE ON PROGRAM COMPLETE<sup>2</sup></b> | <b>PULSE ON ERASE COMPLETE<sup>2</sup></b> |
| DQ1–DQ0 = STS Configuration Codes                         |     |     |     | <b>NOTES</b>                                                                                                                                                                                                                       |     |                                              |                                            |
| 00 = Default, RY/BY# level mode (device ready) indication |     |     |     | Used to control HOLD to a memory controller to prevent accessing a Flash memory subsystem while any Flash device's ISM is busy.                                                                                                    |     |                                              |                                            |
| 01 = Pulse on Erase Complete                              |     |     |     | Used to generate a system interrupt pulse when any Flash device in an array has completed a BLOCK ERASE or sequence of queued BLOCK ERASEs; helpful for reformatting blocks after file system free space reclamation or "cleanup." |     |                                              |                                            |
| 10 = Pulse on Program Complete                            |     |     |     | Used to generate a system interrupt pulse when any Flash device in an array has completed a PROGRAM operation. Provides highest performance for enabling continuous BUFFER WRITE operations.                                       |     |                                              |                                            |
| 11 = Pulse on Erase or Program Complete                   |     |     |     | Used to generate system interrupts to trigger enabling of Flash arrays when either ERASE or PROGRAM operations are completed and a common interrupt service routine is desired.                                                    |     |                                              |                                            |

- NOTE:** 1. An invalid configuration code will result in both SR4 and SR5 being set.  
2. When the device is configured in one of the pulse modes, the STS pin pulses LOW with a typical pulse width of 250ns.

## SET BLOCK LOCK BITS COMMAND

A flexible block locking and unlocking scheme is enabled via a combination of block lock bits. The block lock bits gate PROGRAM and ERASE operations. Using the SET BLOCK LOCK BITS command, individual block lock bits can be set. This command is invalid when the ISM is running or when the device is suspended. SET BLOCK LOCK BITS commands are executed by a two-cycle sequence. The set block lock bits setup, along with appropriate block address, is followed by the set block lock bits confirm and an address within the block to be locked. The ISM then controls the set lock bit algorithm. When the sequence is written, the device automatically outputs status register data when read (see Figure 9). The CPU can detect the completion of the set block lock bit event by analyzing the STS pin output or status register bit SR7. Upon completion of set block lock bits operation, status register bit SR4 should be checked for error. If an error is detected, the status register should be cleared. The CEL remains in read status register mode until a new command is issued. This two-step sequence of setup followed by execution ensures that lock bits are not accidentally set. An invalid SET BLOCK LOCK BITS command results in status register bits SR4 and SR5 being set to "1." Also, reliable operation occurs only when VCC and VPEN are

valid. When  $V_{PEN} \leq V_{PENLK}$ , lock bit contents are protected against any data change.

## CLEAR BLOCK LOCK BITS COMMAND

The CLEAR BLOCK LOCK BITS command can clear all set block lock bits in parallel. This command is invalid when the ISM is running or the device is suspended. The CLEAR BLOCK LOCK BITS command is executed by a two-cycle sequence. First, a clear block lock bits setup is written, followed by a CLEAR BLOCK LOCK BITS CONFIRM command. Then the device automatically outputs status register data when read (see Figure 9). The CPU can detect completion of the clear block lock bits event by analyzing the STS pin output or the status register bit SR7. When the operation is completed, status register bit SR5 should be checked. If a clear block lock bits error is detected, the status register should be cleared. The CEL remains in read status register mode until another command is issued.

This two-step setup sequence ensures that block lock bits are not accidentally cleared. An invalid clear block lock bits command sequence results in status register bits SR4 and SR5 being set to "1." Also, a reliable CLEAR BLOCK LOCK BITS operation can only occur when VCC and VPEN are valid. If a CLEAR BLOCK

LOCK BITS operation is attempted when  $V_{PEN} \leq V_{PENLK}$ , SR3 and SR5 are set to "1." If a CLEAR BLOCK LOCK BITS operation is aborted due to  $V_{PEN}$  or  $V_{CC}$  transitioning out of valid range, block lock bit values are left in an undetermined state. To initialize block lock bit contents to known values, a repeat of CLEAR BLOCK LOCK BITS is required.

## PROTECTION REGISTER PROGRAM COMMAND

The 3V Q-Flash memory includes a 128-bit protection register to increase the security of a system design. For example, the number contained in the protection register can be used for the Flash component to communicate with other system components, such as the CPU or ASIC, to prevent device substitution. The 128 bits of the protection register are divided into two 64-bit segments. One of the segments is programmed at the Micron factory with a unique and unchangeable 64-bit number. The other segment is left blank for customers to program as needed. After the customer segment is programmed, it can be locked to prevent reprogramming.

## READING THE PROTECTION REGISTER

The protection register is read in the identification read mode. The device is switched to identification read mode by writing the READ IDENTIFIER command (90h). When in this mode, READ cycles from addresses shown in Table 19 or Table 20 retrieve the specified information. To return to read array mode, the READ ARRAY command (FFh) must be written.

## PROGRAMMING THE PROTECTION REGISTER

The protection register bits are programmed with two-cycle PROTECTION PROGRAM commands.

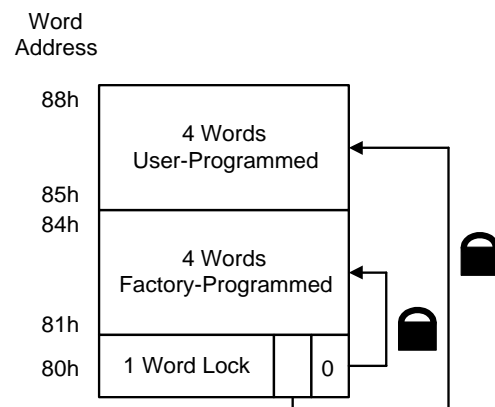
The 64-bit number is programmed 16 bits at a time for word-wide parts and eight bits at a time for byte-wide parts. First, the PROTECTION PROGRAM SETUP command, C0h, is written. The next write to the device latches in addresses and data, and programs the specified location. The allowable addresses are shown in Table 19 and Table 20. Any attempt to address PROTECTION PROGRAM commands outside the defined

protection register address space results in a status register error (program error bit SR4 is set to "1"). Attempting to program a locked protection register segment results in a status register error (program error bit SR4 and lock error bit SR1 are set to "1").

## LOCKING THE PROTECTION REGISTER

By programming bit 1 of the PR-LOCK location to "0," the user-programmable segment of the protection register is lockable. To protect the unique device number, bit 0 of this location is programmed to "0" at the Micron factory. Bit 1 is set using the PROTECTION PROGRAM command to program "FFDh" to the PR-LOCK location. When these bits have been programmed, no further changes can be made to the values stored in the protection register. PROTECTION PROGRAM commands to a locked section will result in a status register error (program error bit SR4 and lock error bit SR1 are set to "1"). Note that the protection register lockout state is not reversible.

**Figure 3**  
**Protection Register Memory Map**



**NOTE:** A0 is not used in x16 mode when accessing the protection register map (see Table 19 for x16 addressing). A0 is used for x8 mode (see Table 20 for x8 addressing).

**Table 19  
Word-Wide Protection Register Addressing**

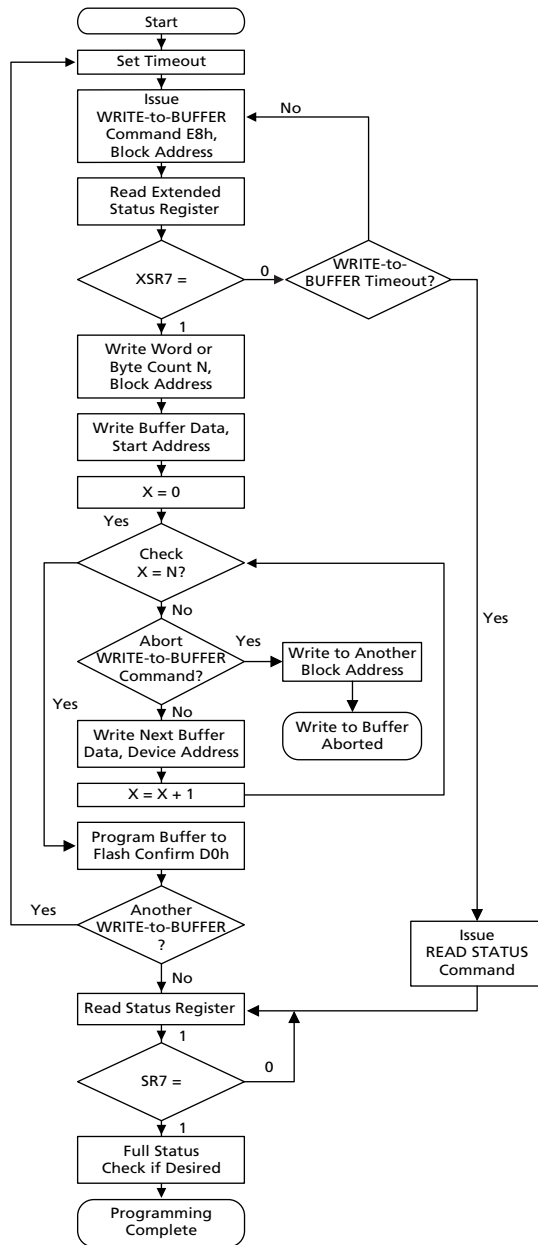
| WORD | USE     | A8 | A7 | A6 | A5 | A4 | A3 | A2 | A1 |
|------|---------|----|----|----|----|----|----|----|----|
| LOCK | Both    | 1  | 0  | 0  | 0  | 0  | 0  | 0  | 0  |
| 0    | Factory | 1  | 0  | 0  | 0  | 0  | 0  | 0  | 1  |
| 1    | Factory | 1  | 0  | 0  | 0  | 0  | 0  | 1  | 0  |
| 2    | Factory | 1  | 0  | 0  | 0  | 0  | 0  | 1  | 1  |
| 3    | Factory | 1  | 0  | 0  | 0  | 0  | 1  | 0  | 0  |
| 4    | User    | 1  | 0  | 0  | 0  | 0  | 1  | 0  | 1  |
| 5    | User    | 1  | 0  | 0  | 0  | 0  | 1  | 1  | 0  |
| 6    | User    | 1  | 0  | 0  | 0  | 0  | 1  | 1  | 1  |
| 7    | User    | 1  | 0  | 0  | 0  | 1  | 0  | 0  | 0  |

**Table 20  
Byte-Wide Protection Register Addressing**

| BYTE | USE     | A8 | A7 | A6 | A5 | A4 | A3 | A2 | A1 | A0 |
|------|---------|----|----|----|----|----|----|----|----|----|
| LOCK | Both    | 1  | 0  | 0  | 0  | 0  | 0  | 0  | 0  | 0  |
| 0    | Factory | 1  | 0  | 0  | 0  | 0  | 0  | 0  | 1  | 0  |
| 1    | Factory | 1  | 0  | 0  | 0  | 0  | 0  | 0  | 1  | 1  |
| 2    | Factory | 1  | 0  | 0  | 0  | 0  | 0  | 1  | 0  | 0  |
| 3    | Factory | 1  | 0  | 0  | 0  | 0  | 0  | 1  | 0  | 1  |
| 4    | Factory | 1  | 0  | 0  | 0  | 0  | 0  | 1  | 1  | 0  |
| 5    | Factory | 1  | 0  | 0  | 0  | 0  | 0  | 1  | 1  | 1  |
| 6    | Factory | 1  | 0  | 0  | 0  | 0  | 1  | 0  | 0  | 0  |
| 7    | Factory | 1  | 0  | 0  | 0  | 0  | 1  | 0  | 0  | 1  |
| 8    | User    | 1  | 0  | 0  | 0  | 0  | 1  | 0  | 1  | 0  |
| 9    | User    | 1  | 0  | 0  | 0  | 0  | 1  | 0  | 1  | 1  |
| A    | User    | 1  | 0  | 0  | 0  | 0  | 1  | 1  | 0  | 0  |
| B    | User    | 1  | 0  | 0  | 0  | 0  | 1  | 1  | 0  | 1  |
| C    | User    | 1  | 0  | 0  | 0  | 0  | 1  | 1  | 1  | 0  |
| D    | User    | 1  | 0  | 0  | 0  | 0  | 1  | 1  | 1  | 1  |
| E    | User    | 1  | 0  | 0  | 0  | 1  | 0  | 0  | 0  | 0  |
| F    | User    | 1  | 0  | 0  | 0  | 1  | 0  | 0  | 0  | 1  |

**NOTE:** 1. All address lines not specified in the above tables must be "0" when accessing the protection register (i.e., A22–A9 = 0).

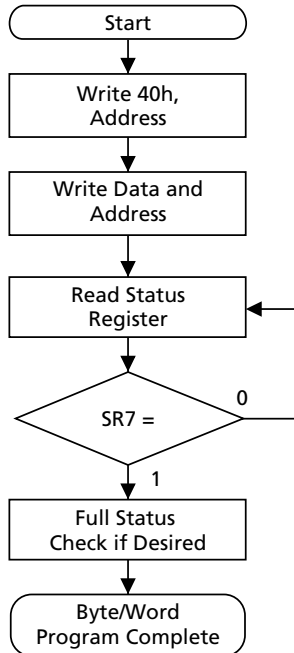
**Figure 4**  
**WRITE-to-BUFFER Flowchart**



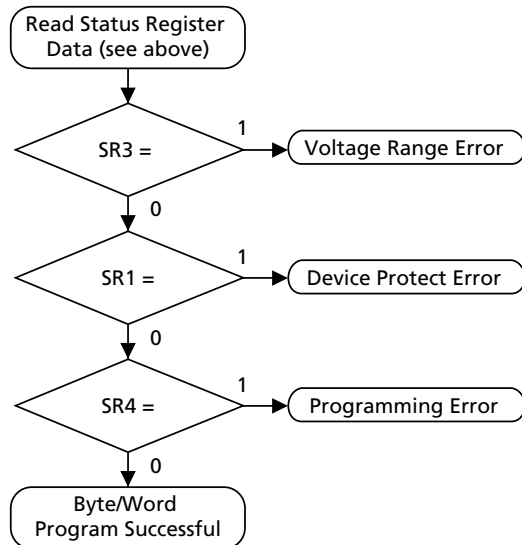
| BUS OPERATION                                                                                                                                          | COMMAND                         | COMMENTS                                                                                 |
|--------------------------------------------------------------------------------------------------------------------------------------------------------|---------------------------------|------------------------------------------------------------------------------------------|
| WRITE                                                                                                                                                  | WRITE-to-BUFFER                 | Data = E8h<br>Block Address                                                              |
| READ                                                                                                                                                   |                                 | XSR7 = Valid<br>Addr = Block Address                                                     |
| STANDBY                                                                                                                                                |                                 | Check XSR7<br>1 = Write Buffer Available<br>0 = Write Buffer Not Available               |
| WRITE <sup>1, 2</sup>                                                                                                                                  |                                 | Data = N = Word/Byte Count<br>N = 0 Corresponds to Count = 1<br>Addr = Block Address     |
| WRITE <sup>3, 4</sup>                                                                                                                                  |                                 | Data = Write Buffer Data<br>Addr = Device Start Address                                  |
| WRITE <sup>5, 6</sup>                                                                                                                                  |                                 | Data = Write Buffer Data<br>Addr = Device Address                                        |
| WRITE                                                                                                                                                  | Program Buffer to Flash Confirm | Data = D0h<br>Addr = Block Address                                                       |
| READ <sup>7</sup>                                                                                                                                      |                                 | Status register data with the device enabled, OE# LOW updates SR<br>Addr = Block Address |
| STANDBY                                                                                                                                                |                                 | Check SR7<br>1 = ISM Ready<br>0 = ISM Busy                                               |
| Full status check can be done after all erase and write sequences complete. Write FFh after the last operation to reset the device to read array mode. |                                 |                                                                                          |

- NOTE:**
1. Byte or word count values on DQ0–DQ7 are loaded into the count register. Count ranges on this device for byte mode are  $n = 00h$  to  $1Fh$  and for word mode are  $n = 0000h$  to  $000Fh$ .
  2. The device now outputs the status register when read (XSR is no longer available).
  3. Write buffer contents will be programmed at the device start address or destination Flash address.
  4. Align the start address on a write buffer boundary for maximum programming performance (i.e., A4–A0 of the start address = 0).
  5. The device aborts the WRITE-to-BUFFER command if the current address is outside of the original block address.
  6. The status register indicates an “improper command sequence” if the WRITE-to-BUFFER command is aborted. Follow this with a CLEAR STATUS REGISTER command.
  7. Toggling OE# (LOW to HIGH to LOW) updates the status register. This can be done in place of issuing the READ STATUS REGISTER command.

**Figure 5**  
**Byte/Word Program Flowchart**



**FULL STATUS CHECK PROCEDURE**



| BUS OPERATION | COMMAND                 | COMMENTS                                                         |
|---------------|-------------------------|------------------------------------------------------------------|
| WRITE         | SETUP BYTE/WORD PROGRAM | Data = 40h<br>Addr = Location to be Programmed                   |
| WRITE         | BYTE/WORD PROGRAM       | Data = Data to be Programmed<br>Addr = Location to be Programmed |
| READ          |                         | Status Register Data                                             |
| STANDBY       |                         | Check SR7<br>1 = ISM Ready<br>0 = ISM Busy                       |

Toggling OE# (LOW to HIGH to LOW) updates the status register. This can be done in place of issuing the READ STATUS REGISTER command. Repeat for subsequent programming operations.

After each program operation or after a sequence of programming operations, an SR full status check can be done.

Write FFh after the last program operation to place the device in read array mode.

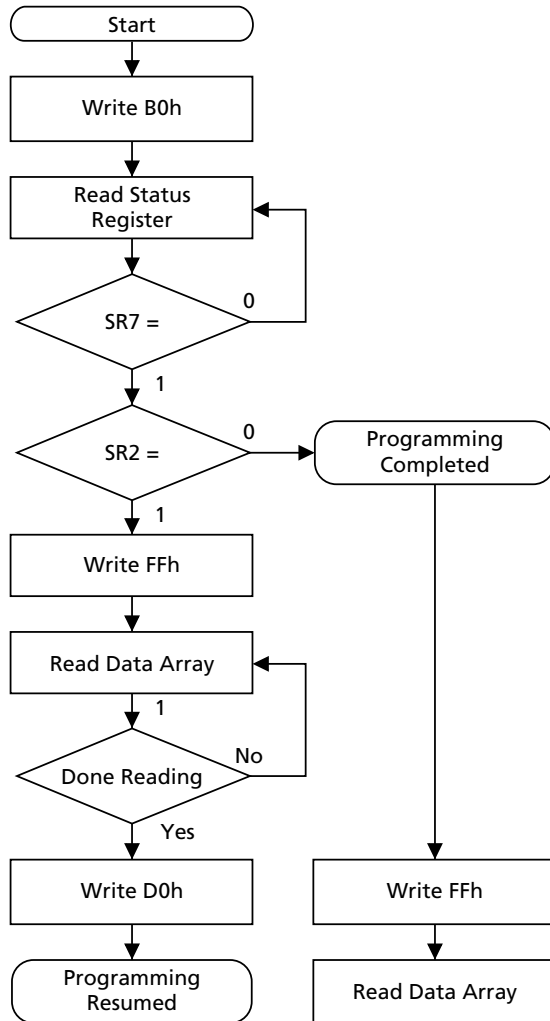
| BUS OPERATION | COMMAND | COMMENTS                                                                                                                                                 |
|---------------|---------|----------------------------------------------------------------------------------------------------------------------------------------------------------|
| STANDBY       |         | Check SR3<br>1 = Programming to Voltage Error Detect                                                                                                     |
| STANDBY       |         | Check SR1<br>1 = Device Protect Detect<br>RP# = V <sub>IH</sub> , Block Lock Bit is Set<br>Only required for systems implementing lock bit configuration |
| STANDBY       |         | Check SR4<br>1 = Programming Error                                                                                                                       |

Toggling OE# (LOW to HIGH to LOW) updates the status register. This can be done in place of issuing the READ STATUS REGISTER command. Repeat for subsequent programming operations.

SR4, SR3, and SR1 are only cleared by the CLEAR STATUS REGISTER command in cases where multiple locations are programmed before full status is checked.

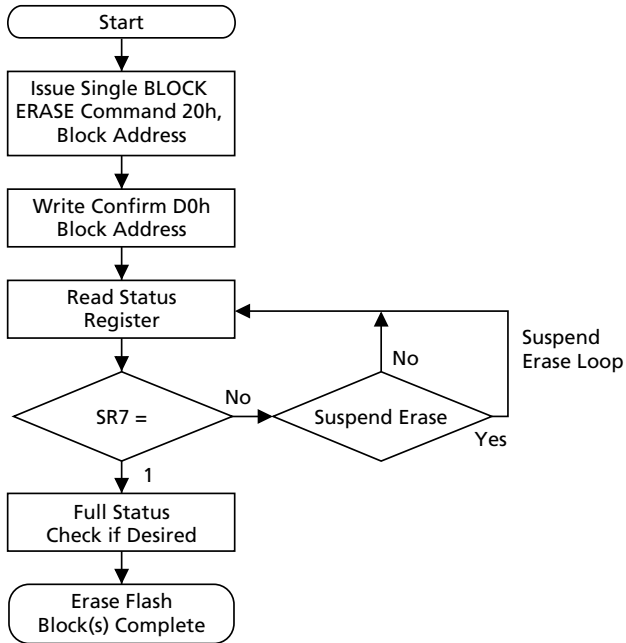
If an error is detected, clear the status register before attempting retry or other error recovery.

**Figure 6  
PROGRAM SUSPEND/RESUME Flowchart**



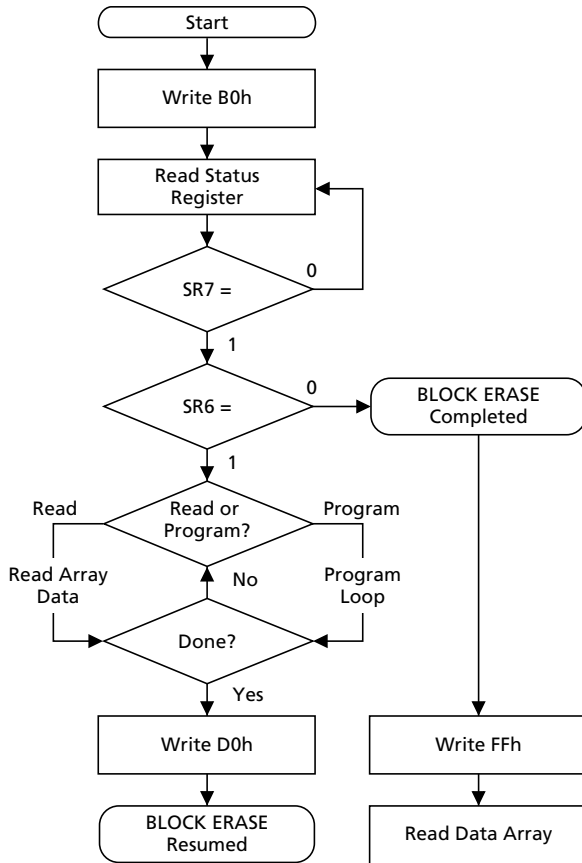
| BUS OPERATION | COMMAND         | COMMENTS                                                            |
|---------------|-----------------|---------------------------------------------------------------------|
| WRITE         | PROGRAM SUSPEND | Data = B0h<br>Addr = X                                              |
| READ          |                 | Status Register Data<br>Addr = X                                    |
| STANDBY       |                 | Check SR7<br>1 = ISM Ready<br>0 = ISM Busy                          |
| STANDBY       |                 | Check SR6<br>1 = Programming Suspended<br>0 = Programming Completed |
| WRITE         | READ ARRAY      | Data = FFh<br>Addr = X                                              |
| READ          |                 | Read array locations other than that being programmed               |
| WRITE         | PROGRAM RESUME  | Data = D0h<br>Addr = X                                              |

**Figure 7  
BLOCK ERASE Flowchart**



| BUS OPERATION                                                                                                                                                                                                                                                    | COMMAND         | COMMENTS                                                                     |
|------------------------------------------------------------------------------------------------------------------------------------------------------------------------------------------------------------------------------------------------------------------|-----------------|------------------------------------------------------------------------------|
| WRITE                                                                                                                                                                                                                                                            | ERASE BLOCK     | Data = 20h<br>Addr = Block Address                                           |
| WRITE                                                                                                                                                                                                                                                            | ERASE CONFIRMED | Data = D0h<br>Addr = Block Address                                           |
| READ                                                                                                                                                                                                                                                             |                 | Status register data with the device enabled; OE# LOW updates SR<br>Addr = X |
| STANDBY                                                                                                                                                                                                                                                          |                 | Check SR7<br>1 = ISM Ready<br>0 = ISM Busy                                   |
| <p>The erase confirm byte must follow erase setup. This device does not support erase queuing.</p> <p>Full status check can be done after all erase and write sequences complete. Write FFh after the last operation to reset the device to read array mode.</p> |                 |                                                                              |

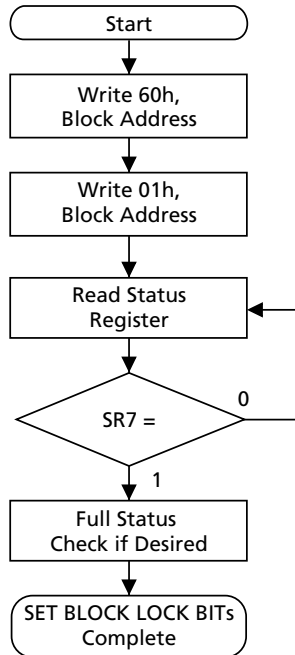
**Figure 8  
BLOCK ERASE SUSPEND/RESUME  
Flowchart**



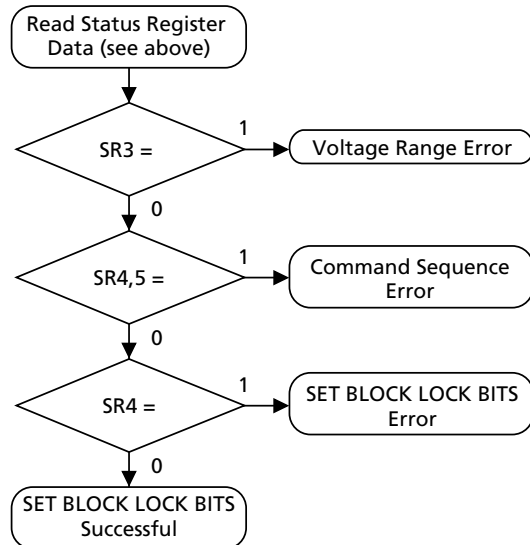
| BUS OPERATION | COMMAND       | COMMENTS                                                            |
|---------------|---------------|---------------------------------------------------------------------|
| WRITE         | ERASE SUSPEND | Data = B0h<br>Addr = X                                              |
| READ          |               | Status Register Data<br>Addr = X                                    |
| STANDBY       |               | Check SR7<br>1 = ISM Ready<br>0 = ISM Busy                          |
| STANDBY       |               | Check SR6<br>1 = Block Erase Suspended<br>0 = Block Erase Completed |
| WRITE         | ERASE RESUME  | Data = D0h<br>Addr = X                                              |



**Figure 9  
SET BLOCK LOCK BITS Flowchart**



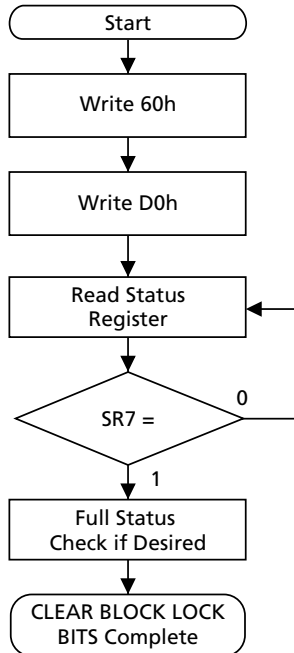
**FULL STATUS CHECK PROCEDURE**



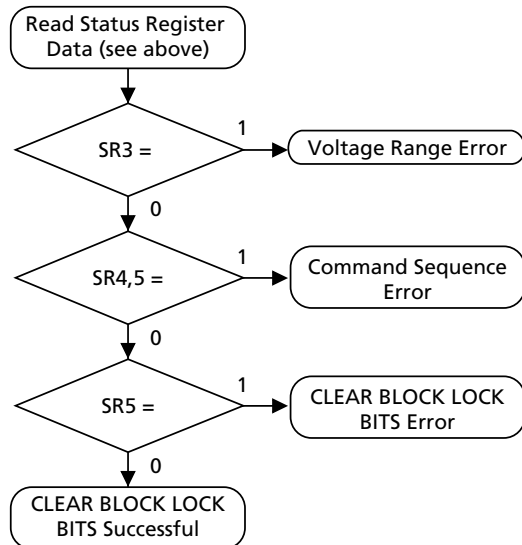
| BUS OPERATION                                                                                                                                                                                                                                                      | COMMAND                     | COMMENTS                                   |
|--------------------------------------------------------------------------------------------------------------------------------------------------------------------------------------------------------------------------------------------------------------------|-----------------------------|--------------------------------------------|
| WRITE                                                                                                                                                                                                                                                              | SET BLOCK LOCK BITS SETUP   | Data = 60h<br>Addr = Block Address         |
| WRITE                                                                                                                                                                                                                                                              | SET BLOCK LOCK BITS CONFIRM | Data = 01h<br>Addr = Block Address         |
| READ                                                                                                                                                                                                                                                               |                             | Status Register Data                       |
| STANDBY                                                                                                                                                                                                                                                            |                             | Check SR7<br>1 = ISM Ready<br>0 = ISM Busy |
| <p>Repeat for subsequent lock bit operations.</p> <p>Full status check can be done after each lock bit set operation or after a sequence of lock bit set operations</p> <p>Write FFh after the last lock bit set operation to place device in read array mode.</p> |                             |                                            |

| BUS OPERATION                                                                                                                                                                                                                                                      | COMMAND | COMMENTS                                          |
|--------------------------------------------------------------------------------------------------------------------------------------------------------------------------------------------------------------------------------------------------------------------|---------|---------------------------------------------------|
| STANDBY                                                                                                                                                                                                                                                            |         | Check SR3<br>1 = Programming Voltage Error Detect |
| STANDBY                                                                                                                                                                                                                                                            |         | Check SR4, SR5<br>Both 1 = Command Sequence Error |
| STANDBY                                                                                                                                                                                                                                                            |         | Check SR4<br>1 = Set Block Lock Bits Error        |
| <p>SR5, SR4, and SR3 are only cleared by the CLEAR STATUS REGISTER command in cases where multiple lock bits are set before full status is checked.</p> <p>If an error is detected, clear the status register before attempting retry or other error recovery.</p> |         |                                                   |

**Figure 10  
CLEAR BLOCK LOCK BITS Flowchart**



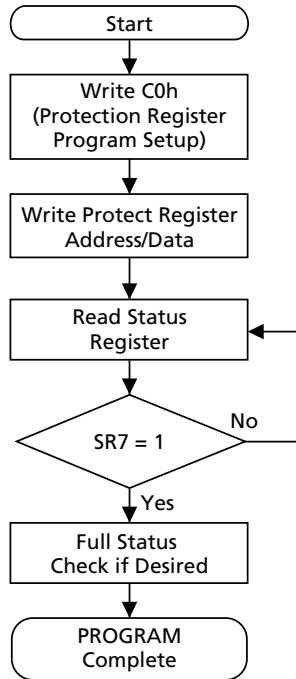
**FULL STATUS CHECK PROCEDURE**



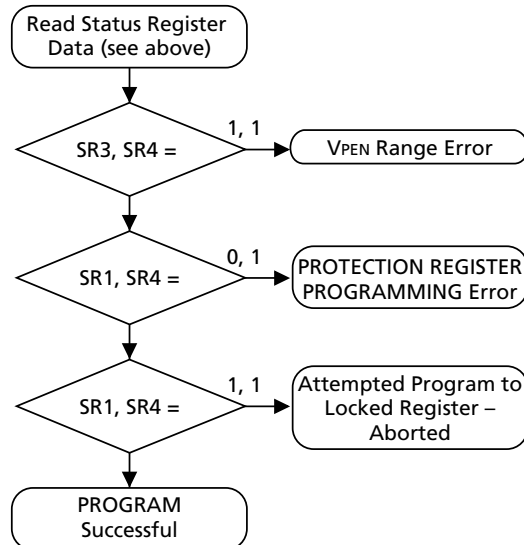
| BUS OPERATION                                                                           | COMMAND                          | COMMENTS                                   |
|-----------------------------------------------------------------------------------------|----------------------------------|--------------------------------------------|
| WRITE                                                                                   | CLEAR BLOCK LOCK BITS SETUP      | Data = 60h<br>Addr = X                     |
| WRITE                                                                                   | CLEAR BLOCK LOCK BITS or CONFIRM | Data = D0h<br>Addr = X                     |
| READ                                                                                    |                                  | Status Register Data                       |
| STANDBY                                                                                 |                                  | Check SR7<br>1 = ISM Ready<br>0 = ISM Busy |
| Write FFh after the CLEAR BLOCK LOCK BITS operation to place device in read array mode. |                                  |                                            |

| BUS OPERATION                                                                                       | COMMAND | COMMENTS                                          |
|-----------------------------------------------------------------------------------------------------|---------|---------------------------------------------------|
| STANDBY                                                                                             |         | Check SR3<br>1 = Programming Voltage Error Detect |
| STANDBY                                                                                             |         | Check SR4, 5<br>Both 1 = Command Sequence Error   |
| STANDBY                                                                                             |         | Check SR5<br>1 = Clear Block Lock Bits Error      |
| SR5, SR4, and SR3 are only cleared by the CLEAR STATUS REGISTER command.                            |         |                                                   |
| If an error is detected, clear the status register before attempting retry or other error recovery. |         |                                                   |

**Figure 11  
PROTECTION REGISTER PROGRAMMING  
Flowchart**



**FULL STATUS CHECK PROCEDURE**



| BUS OPERATION | COMMAND                  | COMMENTS                                                                 |
|---------------|--------------------------|--------------------------------------------------------------------------|
| WRITE         | PROTECTION PROGRAM SETUP | Data = C0h                                                               |
| WRITE         | PROTECTION PROGRAM       | Data = Data to Program<br>Addr = Location to Program                     |
| READ          |                          | Status Register Data<br>Toggle CE# or OE# to update status register data |
| STANDBY       |                          | Check SR7<br>1 = ISM Ready<br>0 = ISM Busy                               |

PROTECTION PROGRAM operations can only be addressed within the protection register address space. Addresses outside the defined space will return an error.

Repeat for subsequent programming operations.

SR full status check can be done after each program or after a sequence of program operations.

Write FFh after the last program operation to reset device to read array mode.

| BUS OPERATION | COMMAND | COMMENTS                                |
|---------------|---------|-----------------------------------------|
|               |         | SR1 SR3 SR4                             |
| STANDBY       |         | 0 1 1 VPEN LOW                          |
| STANDBY       |         | 0 0 1 Protection Register Program Error |
| STANDBY       |         | 1 0 1 Register Locked: Aborted          |

SR3, if set during a program attempt, MUST be cleared before further attempts are allowed by the ISM.

SR1, SR3, and SR4 are only cleared by the CLEAR STAUS REGISTER command, in cases of multiple protection register program operations, before full status is checked.

If an error is detected, clear the status register before attempting retry or other error recovery.

## DESIGN CONSIDERATIONS

### FIVE-LINE OUTPUT CONTROL

Micron provides five control inputs (CE0, CE1, CE2, OE#, and RP#) to accommodate multiple memory connections in large memory arrays. This control provides the lowest possible memory power dissipation and ensures that data bus contention does not occur.

To efficiently use these control inputs, an address decoder should enable the device (see Table 2) while OE# is connected to all memory devices and the system's READ# control line. This ensures that only selected memory devices have active outputs while deselected memory devices are in standby mode. During system power transitions, RP# should be connected to the system POWERGOOD signal to prevent unintended writes. POWERGOOD should also toggle during system reset.

### STS AND BLOCK ERASE, PROGRAM, AND LOCK BIT CONFIGURATION POLLING

As an open drain output, STS should be connected to VccQ by a pull-up resistor to provide a hardware method of detecting block erase, program, and lock bit configuration completion. It is recommended that a 2.5K $\Omega$  resistor be used between STS# and VccQ. In default mode, it transitions LOW after block erase, program, or lock bit configuration commands and returns to High-Z when the ISM has finished executing the internal algorithm. See the CONFIGURATION com-

mand for alternate configurations of the STS pin. STS can be connected to an interrupt input of the system CPU or controller. STS is active at all times. In default mode, it is also High-Z when the device is in block erase suspend (with programming inactive), program suspend, or reset/power-down mode.

### POWER SUPPLY DECOUPLING

Device decoupling is required for Flash memory power switching characteristics. There are three supply current issues to consider: standby current levels, active current levels, and transient peaks produced by falling and rising edges of CEx and OE#. Transient current magnitudes depend on the device outputs' capacitive and inductive loading. Two-line control and proper decoupling capacitor selection suppresses transient voltage peaks. Because Micron Q-Flash memory devices draw their power from three Vcc pins (these devices do not include a Vpp pin), it is recommended that systems without separate power and ground planes attach a 0.1 $\mu$ F ceramic capacitor between each of the device's three Vcc pins (this includes VccQ) and GND. These high-frequency, low-inductance capacitors should be placed as close as possible to package leads on each Micron Q-Flash memory device. Additionally, for every eight devices, a 4.7 $\mu$ F electrolytic capacitor should be placed between Vcc and GND at the array's power supply connection.

## **REDUCING OVERSHOOTS AND UNDERSHOOTS WHEN USING BUFFERS OR TRANSCEIVERS**

Overshoots and undershoots can sometimes cause input signals to exceed Flash memory specifications as faster, high-drive devices such as transceivers or buffers drive input signals to Flash memory devices. Many buffer/transceiver vendors now carry bus-interface devices with internal output-damping resistors or reduced-drive outputs. Internal output-damping resistors diminish the nominal output drive currents, while still leaving sufficient drive capability for most applications. These internal output-damping resistors help reduce unnecessary overshoots and undershoots by diminishing output-drive currents. When considering a buffer/transceiver interface design to Flash, devices with internal output-damping resistors or reduced-drive outputs should be used to minimize overshoots and undershoots.

### **V<sub>CC</sub>, V<sub>PEN</sub>, RP# TRANSITIONS**

If V<sub>PEN</sub> or V<sub>CC</sub> falls outside of the specified operating ranges, or RP# is not set to V<sub>IH</sub>, block erase, program, and lock bit configuration are not guaranteed. If RP# transitions to V<sub>IL</sub> during block erase, program, or lock bit configuration, STS (in default mode) will remain LOW for a maximum time of  $t_{PLPH} + t_{PHRH}$ , until the RESET operation is complete and the device enters reset/power-down mode. The aborted operation may leave data partially corrupted after programming, or partially altered after an erase or lock bit configuration. Therefore, BLOCK ERASE and LOCK BIT CONFIGURATION commands must be repeated after normal operation is restored. Device power-off or RP# = V<sub>IL</sub> clears the status register. The CEL latches commands issued by system software and is not altered by V<sub>PEN</sub> or CEX transitions, or ISM actions. Its state is read array mode

upon power-up, upon exiting reset/power-down mode, or after V<sub>CC</sub> transitions below V<sub>LKO</sub>. V<sub>CC</sub> must be kept at or above V<sub>PEN</sub> during V<sub>CC</sub> transitions.

After block erase, program, or lock bit configuration, and after V<sub>PEN</sub> transitions to V<sub>PENLK</sub>, the CEL must be placed in read array mode via the READ ARRAY command if subsequent access to the memory array is desired. During V<sub>PEN</sub> transitions, V<sub>PEN</sub> must be kept at or below V<sub>CC</sub>.

### **POWER-UP/DOWN PROTECTION**

During power transition, the device itself provides protection against accidental block erasure, programming, or lock bit configuration. Internal circuitry resets the CEL to read array mode at power-up. A system designer must watch out for spurious writes for V<sub>CC</sub> voltages above V<sub>LKO</sub> when V<sub>PEN</sub> is active. Because WE# must be LOW and the device enabled (see Table 2) for a command write, driving WE# to V<sub>IH</sub> or disabling the device inhibits WRITES. The CEL's two-step command sequence architecture provides added protection against data alteration. In-system block lock and unlock capability protects the device against inadvertent programming. The device is disabled when RP# = V<sub>IL</sub> regardless of its control inputs. Keeping V<sub>PEN</sub> below V<sub>PENLK</sub> prevents inadvertent data change.

### **POWER DISSIPATION**

Designers must consider battery power consumption not only during device operation, but also for data retention during system idle time. Flash memory's nonvolatility increases usable battery life because data is retained when system power is removed.

**ABSOLUTE MAXIMUM RATINGS\***

|                                       |                  |
|---------------------------------------|------------------|
| Temperature Under Bias Expanded ..... | -40°C to +85°C   |
| Storage Temperature .....             | -65°C to +125°C  |
| For V <sub>CCQ</sub> = +2.7V to +3.6V |                  |
| Voltage On Any Pin .....              | -2.0V to +5.0V** |
| For V <sub>CCQ</sub> = +4.5V to +5.5V |                  |
| All Pins Except V <sub>CC</sub> ..... | -2.0V to +7.0V** |
| V <sub>CC</sub> .....                 | -2.0V to +5.5V** |
| Output Short Circuit Current.....     | 100mA†           |

\*Stresses greater than those listed under “Absolute Maximum Ratings” may cause permanent damage to the device. This is a stress rating only and functional

operation of the device at these or any other conditions above those indicated in the operational sections of this specification is not implied. Exposure to absolute maximum rating conditions for extended periods may affect reliability.

\*\*All specified voltages are with respect to GND. Minimum DC voltage is -0.5V on input/output pins and -0.2V on V<sub>CC</sub> and V<sub>PEN</sub> pins. During transitions, this level may undershoot to -2.0V for periods <20ns. Maximum DC voltage on input/output pins, V<sub>CC</sub>, and V<sub>PEN</sub> is V<sub>CC</sub> +0.5V which, during transitions, may overshoot to V<sub>CC</sub> +2.0V for periods <20ns.

†Output shorted for no more than one second. No more than one output shorted at a time.

**TEMPERATURE AND RECOMMENDED DC OPERATING CONDITIONS**

 Commercial Temperature ( $0^{\circ}\text{C} \leq T_A \leq +85^{\circ}\text{C}$ ), Extended Temperature ( $-40^{\circ}\text{C} \leq T_A \leq +85^{\circ}\text{C}$ )

| PARAMETER                                                                                                                                                                  | SYMBOL            | MIN                     | MAX                    | UNITS | NOTES |
|----------------------------------------------------------------------------------------------------------------------------------------------------------------------------|-------------------|-------------------------|------------------------|-------|-------|
| V <sub>CC</sub> Supply Voltage (2.7V–3.6V)                                                                                                                                 | V <sub>CC1</sub>  | 2.7                     | 3.6                    | V     |       |
| V <sub>CCQ</sub> Supply Voltage (2.7V–3.6V)                                                                                                                                | V <sub>CCQ1</sub> | 2.7                     | 3.6                    | V     |       |
| V <sub>CCQ</sub> Supply Voltage (4.5V–5.5V)                                                                                                                                | V <sub>CCQ2</sub> | 4.5                     | 5.5                    | V     |       |
| INPUT AND V <sub>PEN</sub> LOAD CURRENT<br>V <sub>CC</sub> = V <sub>CC</sub> (MAX); V <sub>CCQ</sub> = V <sub>CCQ</sub> (MAX)<br>V <sub>IN</sub> = V <sub>CCQ</sub> or GND | I <sub>LI</sub>   |                         | ±1                     | μA    | 1     |
| OUTPUT LEAKAGE CURRENT<br>V <sub>CC</sub> = V <sub>CC</sub> (MAX); V <sub>CCQ</sub> = V <sub>CCQ</sub> (MAX)<br>V <sub>IN</sub> = V <sub>CCQ</sub> or GND                  | I <sub>LO</sub>   |                         | ±10                    | μA    | 1     |
| INPUT LOW VOLTAGE                                                                                                                                                          | V <sub>IL</sub>   | -0.5                    | 0.8                    | V     | 2     |
| INPUT HIGH VOLTAGE                                                                                                                                                         | V <sub>IH</sub>   | 2                       | V <sub>CCQ</sub> + 0.5 | V     | 2     |
| OUTPUT LOW VOLTAGE (2.7V–3.6V)<br>V <sub>CCQ</sub> = V <sub>CCQ1</sub> (MIN)<br>I <sub>OL</sub> = 2mA                                                                      | V <sub>OL</sub>   |                         | 0.4                    | V     | 2, 3  |
| V <sub>CCQ</sub> = V <sub>CCQ1</sub> (MIN)<br>I <sub>OL</sub> = 100μA                                                                                                      |                   |                         | 0.2                    | V     |       |
| OUTPUT LOW VOLTAGE (4.5V–5.5V)<br>V <sub>CCQ</sub> = V <sub>CCQ2</sub> (MIN)<br>I <sub>OL</sub> = 2mA                                                                      | V <sub>OL</sub>   |                         | 0.45                   | V     | 4     |
| OUTPUT LOW VOLTAGE (4.5V–5.5V)<br>V <sub>CCQ</sub> = V <sub>CCQ2</sub> (MIN)<br>I <sub>OL</sub> = 100μA                                                                    |                   |                         | 0.25                   | V     |       |
| OUTPUT HIGH VOLTAGE (2.7V–3.6V)<br>V <sub>CCQ</sub> = V <sub>CCQ</sub> (MIN)<br>I <sub>OH</sub> = -2.5mA                                                                   | V <sub>OH</sub>   | 0.85 × V <sub>CCQ</sub> |                        | V     | 2     |
| V <sub>CCQ</sub> = V <sub>CCQ</sub> (MIN)<br>I <sub>OH</sub> = -100μA                                                                                                      |                   | V <sub>CCQ</sub> - 0.2  |                        | V     |       |
| OUTPUT HIGH VOLTAGE (4.5V–5.5V)<br>V <sub>CCQ</sub> = V <sub>CCQ2</sub> (MIN)<br>I <sub>OH</sub> = -2.5mA                                                                  | V <sub>OH</sub>   | 2.4                     |                        | V     | 4     |
| V <sub>CCQ</sub> = V <sub>CCQ2</sub> (MIN)<br>I <sub>OH</sub> = -100μA                                                                                                     |                   | V <sub>CCQ</sub> - 0.2  |                        | V     |       |

- NOTE:**
1. All currents are in RMS unless otherwise noted. These currents are valid for all product versions (packages and speeds).
  2. Sampled, not 100% tested.
  3. Includes STS.
  4. MT28F320J3RG-11 F and MT28F640J3RG-12 F only.

## CAPACITANCE

( $T_A = +25^\circ\text{C}$ ;  $f = 1\text{ MHz}$ )

| PARAMETER/CONDITION |                | SYMBOL           | TYP | MAX | UNITS |
|---------------------|----------------|------------------|-----|-----|-------|
| Input Capacitance   |                | C                | 5   | 8   | pF    |
| Output Capacitance  | BYTE#          | C <sub>OUT</sub> | 10  | 12  | pF    |
|                     | All other Pins | C <sub>OUT</sub> | 5   | 12  | pF    |

## RECOMMENDED DC ELECTRICAL CHARACTERISTICS

Commercial Temperature ( $0^\circ\text{C} \leq T_A \leq +85^\circ\text{C}$ ), Extended Temperature ( $-40^\circ\text{C} \leq T_A \leq +85^\circ\text{C}$ )

| DESCRIPTION                                    | CONDITIONS                                                                                                                                                                                               | SYMBOL           | TYP  | MAX | UNITS | NOTES   |
|------------------------------------------------|----------------------------------------------------------------------------------------------------------------------------------------------------------------------------------------------------------|------------------|------|-----|-------|---------|
| V <sub>CC</sub> Standby Current                | CMOS Inputs; V <sub>CC</sub> = V <sub>CC</sub> (MAX);<br>Device is enabled;<br>RP# = V <sub>CCQ</sub> ±0.2V                                                                                              | I <sub>CC1</sub> | 50   | 120 | μA    | 1, 2, 3 |
|                                                | TTL inputs; V <sub>CC</sub> = V <sub>CC</sub> (MAX);<br>Device is enabled; RP# = V <sub>IH</sub>                                                                                                         |                  | 0.71 | 2   | mA    |         |
| V <sub>CC</sub> Power-Down Current             | RP# = GND ±0.2V;<br>I <sub>OUT</sub> (STS) = 0mA                                                                                                                                                         | I <sub>CC2</sub> | 50   | 120 | μA    |         |
| V <sub>CC</sub> Page Mode Read Current         | CMOS inputs; V <sub>CC</sub> = V <sub>CC</sub> (MAX);<br>V <sub>CCQ</sub> = V <sub>CCQ</sub> (MAX) using standard<br>4-word page mode READs;<br>Device is enabled;<br>f = 5 MHz; I <sub>OUT</sub> = 0mA  | I <sub>CC3</sub> | 11   | 20  | mA    | 1, 3    |
|                                                | CMOS inputs; V <sub>CC</sub> = V <sub>CC</sub> (MAX);<br>V <sub>CCQ</sub> = V <sub>CCQ</sub> (MAX) using standard<br>4-word page mode READs;<br>Device is enabled;<br>f = 33 MHz; I <sub>OUT</sub> = 0mA |                  | 15   | 29  | mA    |         |
| V <sub>CC</sub> Asynchronous Mode Read Current | CMOS inputs; V <sub>CC</sub> = V <sub>CC</sub> (MAX);<br>V <sub>CCQ</sub> = V <sub>CCQ</sub> (MAX) using<br>standard word/byte single READs;<br>Device is enabled;<br>f = 5 MHz; I <sub>OUT</sub> = 0mA  | I <sub>CC4</sub> | 12.5 | 50  | mA    | 1, 3    |

- NOTE:**
- All currents are in RMS unless otherwise noted. These currents are valid for all product versions (packages and speeds).
  - Includes STS.
  - CMOS inputs are either V<sub>CC</sub> ±0.2V or V<sub>SS</sub> ±0.2V. TTL inputs are either V<sub>IL</sub> or V<sub>IH</sub>.
  - Sampled, not 100% tested.
  - I<sub>CCWS</sub> and I<sub>CCES</sub> are specified with the device deselected. If the device is read or written while in erase suspend mode, the device's current draw is I<sub>CCR</sub> or I<sub>CCW</sub>.
  - Block erase, programming, and lock bit configurations are inhibited when V<sub>PEN</sub> ≤ V<sub>PENLK</sub>, and they are not guaranteed in the range between V<sub>PENLK</sub> (MAX) and V<sub>PENH</sub> (MIN), or above V<sub>PENH</sub> (MAX).
  - Typically, V<sub>PEN</sub> is connected to V<sub>CC</sub>.
  - Block erase, programming, and lock bit configurations are inhibited when V<sub>CC</sub> < V<sub>LKO</sub>, and they are not guaranteed in the range between V<sub>LKO</sub> (MIN) and V<sub>CC</sub> (MIN), or above V<sub>CC</sub> (MAX).

(continued on next page)



**RECOMMENDED DC ELECTRICAL CHARACTERISTICS (continued)**

 Commercial Temperature ( $0^{\circ}\text{C} \leq T_A \leq +85^{\circ}\text{C}$ ), Extended Temperature ( $-40^{\circ}\text{C} \leq T_A \leq +85^{\circ}\text{C}$ )

| DESCRIPTION                                                             | CONDITIONS                                      | SYMBOL             | TYP | MAX | UNITS | NOTES   |
|-------------------------------------------------------------------------|-------------------------------------------------|--------------------|-----|-----|-------|---------|
| V <sub>CC</sub> Program or Set Lock Bits Current                        | CMOS inputs, V <sub>PEN</sub> = V <sub>CC</sub> | I <sub>CC5</sub>   | 22  | 60  | mA    | 1, 4    |
|                                                                         | TTL inputs, V <sub>PEN</sub> = V <sub>CC</sub>  |                    | 24  | 70  | mA    |         |
| V <sub>CC</sub> Block Erase or Clear Block Lock Bits Current            | CMOS inputs, V <sub>PEN</sub> = V <sub>CC</sub> | I <sub>CC6</sub>   | 20  | 70  | mA    | 1, 4    |
|                                                                         | TTL inputs, V <sub>PEN</sub> = V <sub>CC</sub>  |                    | 22  | 80  | mA    |         |
| V <sub>CC</sub> Program Suspend or Block Erase Suspend Current          | Device is disabled                              | I <sub>CC7</sub>   |     | 10  | mA    | 1       |
| V <sub>PEN</sub> Lockout during Program, Erase, and Lock Bit Operations |                                                 | V <sub>PENLK</sub> |     | 1   | V     | 5, 6, 7 |
| V <sub>PEN</sub> during Block Erase, Program, or Lock Bit Operations    |                                                 | V <sub>PENH</sub>  | 2.7 | 3.6 | V     | 6, 7    |
| V <sub>CC</sub> Lockout Voltage                                         |                                                 | V <sub>LKO</sub>   | 2.2 |     | V     | 8       |

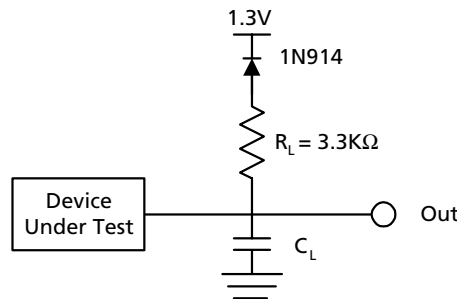
- NOTE:**
- All currents are in RMS unless otherwise noted. These currents are valid for all product versions (packages and speeds).
  - Includes STS.
  - CMOS inputs are either V<sub>CC</sub> ±0.2V or V<sub>SS</sub> ±0.2V. TTL inputs are either V<sub>IL</sub> or V<sub>IH</sub>.
  - Sampled, not 100% tested.
  - I<sub>CCWS</sub> and I<sub>CCES</sub> are specified with the device deselected. If the device is read or written while in erase suspend mode, the device's current draw is I<sub>CCR</sub> or I<sub>CCW</sub>.
  - Block erase, programming, and lock bit configurations are inhibited when V<sub>PEN</sub> ≤ V<sub>PENLK</sub>, and they are not guaranteed in the range between V<sub>PENLK</sub> (MAX) and V<sub>PENH</sub> (MIN), or above V<sub>PENH</sub> (MAX).
  - Typically, V<sub>PEN</sub> is connected to V<sub>CC</sub>.
  - Block erase, programming, and lock bit configurations are inhibited when V<sub>CC</sub> < V<sub>LKO</sub>, and they are not guaranteed in the range between V<sub>LKO</sub> (MIN) and V<sub>CC</sub> (MIN), or above V<sub>CC</sub> (MAX).

**Figure 12**  
**Transient Input/Output Reference Waveform for**  
**V<sub>CCQ</sub> = 2.7V–3.6V, or V<sub>CCQ</sub> = 4.5V–5.5V**



**NOTE:** AC test inputs are driven at V<sub>CCQ</sub> for a logic 1 and 0.0V for a logic 0. Input timing begins, and output timing ends, at V<sub>CCQ</sub>/2V (50% of V<sub>CCQ</sub>). Input rise and fall times (10% to 90%) < 5ns.

**Figure 13**  
**Transient Equivalent Testing Load Circuit**



**NOTE:** C<sub>L</sub> includes jig capacitance

**Test Configuration Capacitance Loading Value**

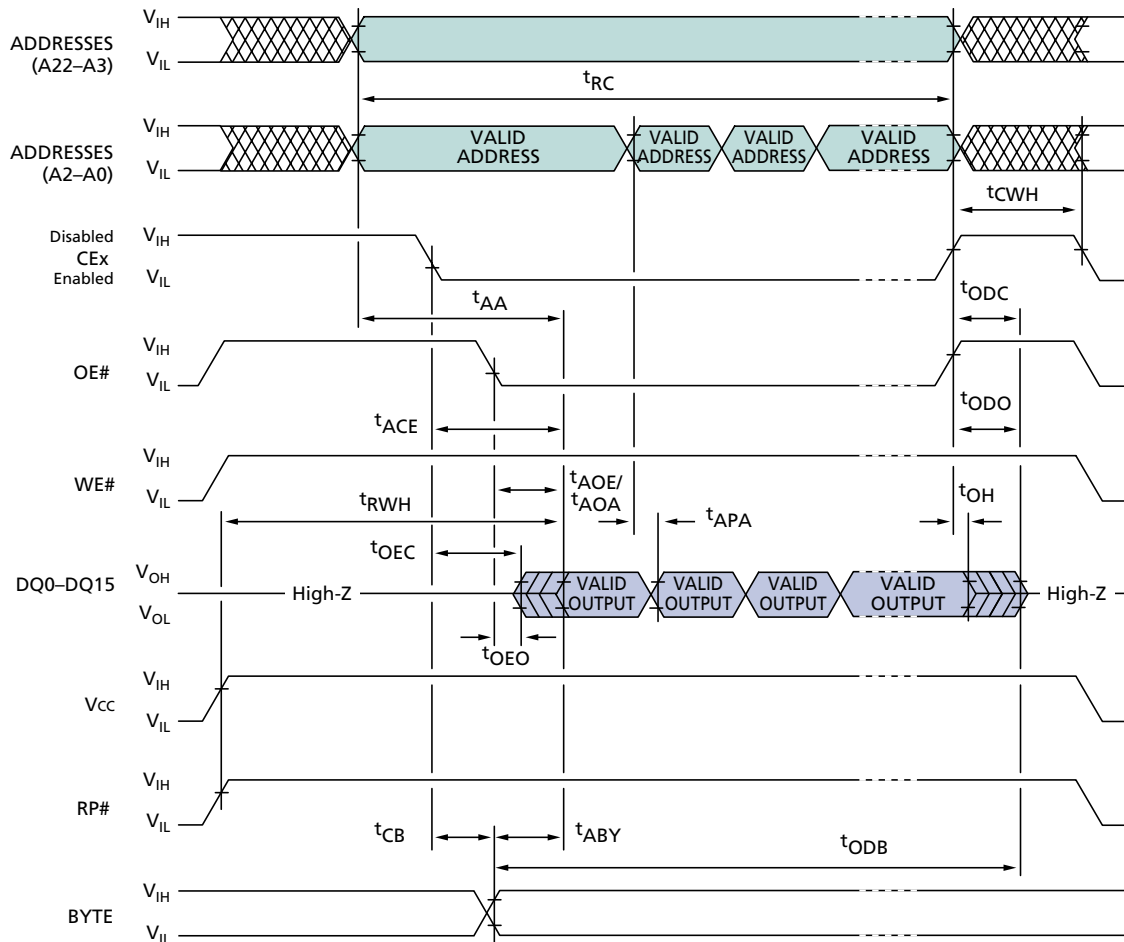
| Test Configuration                                | C <sub>L</sub> (pF) |
|---------------------------------------------------|---------------------|
| V <sub>CCQ</sub> = V <sub>CC</sub> = 2.7V to 3.6V | 30                  |
| V <sub>CCQ</sub> = 4.5V to 5.5V                   | 30                  |

**AC CHARACTERISTICS – READ-ONLY OPERATIONS**

 (Notes: 1, 2, 4); Commercial Temperature ( $0^{\circ}\text{C} \leq T_A \leq +85^{\circ}\text{C}$ ), Extended Temperature ( $-40^{\circ}\text{C} \leq T_A \leq +85^{\circ}\text{C}$ )

| PARAMETER                                                            | SYMBOL           | DENSITY | V <sub>CC</sub> = 2.7V–3.6V<br>V <sub>CCQ</sub> = 2.7V–3.6V<br>or 4.5V–5.5V |       | UNITS | NOTES |
|----------------------------------------------------------------------|------------------|---------|-----------------------------------------------------------------------------|-------|-------|-------|
|                                                                      |                  |         | MIN                                                                         | MAX   |       |       |
| READ/WRITE Cycle Time                                                | <sup>t</sup> RC  | 32Mb    | 110                                                                         |       | ns    |       |
|                                                                      |                  | 64Mb    | 120                                                                         |       | ns    |       |
|                                                                      |                  | 128Mb   | 150                                                                         |       | ns    |       |
| Address to Output Delay                                              | <sup>t</sup> AA  | 32Mb    |                                                                             | 110   | ns    |       |
|                                                                      |                  | 64Mb    |                                                                             | 120   | ns    |       |
|                                                                      |                  | 128Mb   |                                                                             | 150   | ns    |       |
| CEx to Output Delay                                                  | <sup>t</sup> ACE | 32Mb    |                                                                             | 110   | ns    |       |
|                                                                      |                  | 64Mb    |                                                                             | 120   | ns    |       |
|                                                                      |                  | 128Mb   |                                                                             | 150   | ns    |       |
| OE# to Non-Array Output Delay                                        | <sup>t</sup> AOE | ALL     |                                                                             | 50    | ns    | 3, 5  |
| OE# to Array Output Delay                                            | <sup>t</sup> AOA | ALL     |                                                                             | 25    | ns    | 5     |
| RP# HIGH to Output Delay                                             | <sup>t</sup> RWH | 32Mb    |                                                                             | 150   | ns    |       |
|                                                                      |                  | 64Mb    |                                                                             | 180   | ns    |       |
|                                                                      |                  | 128Mb   |                                                                             | 210   | ns    |       |
| CEx to Output in Low-Z                                               | <sup>t</sup> OEC | ALL     | 0                                                                           |       | ns    | 6     |
| OE# to Output in Low-Z                                               | <sup>t</sup> OEO | ALL     | 0                                                                           |       | ns    | 6     |
| CEx HIGH to Output in High-Z                                         | <sup>t</sup> ODC | ALL     |                                                                             | 35    | ns    | 6     |
| OE# HIGH to Output in High-Z                                         | <sup>t</sup> ODO | ALL     |                                                                             | 15    | ns    | 6     |
| Output Hold from Address, CEx, or OE# Change, Whichever Occurs First | <sup>t</sup> OH  | ALL     | 0                                                                           |       | ns    | 6     |
| CEx LOW to BYTE# HIGH or LOW                                         | <sup>t</sup> CB  | ALL     |                                                                             | 10    | ns    | 6     |
| BYTE# to Output Delay                                                | <sup>t</sup> ABY | ALL     |                                                                             | 1,000 | ns    |       |
| BYTE# to Output in High-Z                                            | <sup>t</sup> ODB | ALL     |                                                                             | 1,000 | ns    | 6     |
| CEx HIGH to CEx LOW                                                  | <sup>t</sup> CWH | ALL     | 0                                                                           |       | ns    | 6     |
| Page Address Access Time                                             | <sup>t</sup> APA | ALL     |                                                                             | 25    | ns    | 6     |

- NOTE:**
1. CEx LOW is defined as the first edge of CE0, CE1, or CE2 that enables the device. CEx HIGH is defined at the first edge of CE0, CE1, or CE2 that disables the device (see Table 2).
  2. See AC Input/Output Reference Waveforms for the maximum allowable input slew rate.
  3. OE# may be delayed up to <sup>t</sup>ACE - <sup>t</sup>AOE after the first edge of CEx that enables the device (see Table 2) without impact on <sup>t</sup>ACE.
  4. See Figures 12 and 13, Transient Input/Output Reference Waveform for V<sub>CCQ</sub> = 2.7V–3.6V or V<sub>CCQ</sub> = 4.5V–5.5V, and Transient Equivalent Testing Load Circuit for testing characteristics.
  5. When reading the Flash array, a faster <sup>t</sup>AOE applies. Nonarray READs refer to status register READs, QUERY READs, or DEVICE IDENTIFIER READs.
  6. Sampled, not 100% tested.

**PAGE MODE AND STANDARD WORD/BYTE READ OPERATIONS**


UNDEFINED

**TIMING PARAMETERS**

| SYMBOL                   | V <sub>CC</sub> = 2.7V-3.6V<br>V <sub>CCQ</sub> = 2.7V-3.6V<br>or 4.5V-5.5V |     | UNITS |
|--------------------------|-----------------------------------------------------------------------------|-----|-------|
|                          | MIN                                                                         | MAX |       |
| <sup>t</sup> RC (32Mb)   | 110                                                                         |     | ns    |
| <sup>t</sup> RC (64Mb)   | 120                                                                         |     | ns    |
| <sup>t</sup> RC (128Mb)  | 150                                                                         |     | ns    |
| <sup>t</sup> AA (32Mb)   |                                                                             | 110 | ns    |
| <sup>t</sup> AA (64Mb)   |                                                                             | 120 | ns    |
| <sup>t</sup> AA (128Mb)  |                                                                             | 150 | ns    |
| <sup>t</sup> ACE (32Mb)  |                                                                             | 110 | ns    |
| <sup>t</sup> ACE (64Mb)  |                                                                             | 120 | ns    |
| <sup>t</sup> ACE (128Mb) |                                                                             | 150 | ns    |
| <sup>t</sup> AOE         |                                                                             | 50  | ns    |
| <sup>t</sup> AOA         |                                                                             | 25  | ns    |
| <sup>t</sup> RWH (32Mb)  |                                                                             | 150 | ns    |

| SYMBOL                   | V <sub>CC</sub> = 2.7V-3.6V<br>V <sub>CCQ</sub> = 2.7V-3.6V<br>or 4.5V-5.5V |       | UNITS |
|--------------------------|-----------------------------------------------------------------------------|-------|-------|
|                          | MIN                                                                         | MAX   |       |
| <sup>t</sup> RWH (64Mb)  |                                                                             | 180   | ns    |
| <sup>t</sup> RWH (128Mb) |                                                                             | 210   | ns    |
| <sup>t</sup> OEC         | 0                                                                           |       | ns    |
| <sup>t</sup> OEO         | 0                                                                           |       | ns    |
| <sup>t</sup> ODC         |                                                                             | 35    | ns    |
| <sup>t</sup> ODO         |                                                                             | 15    | ns    |
| <sup>t</sup> OH          | 0                                                                           |       | ns    |
| <sup>t</sup> CB          |                                                                             | 10    | ns    |
| <sup>t</sup> ABY         |                                                                             | 1,000 | ns    |
| <sup>t</sup> ODB         |                                                                             | 1,000 | ns    |
| <sup>t</sup> CWH         | 0                                                                           |       | ns    |
| <sup>t</sup> APA         |                                                                             | 25    | ns    |

**NOTE:** CEX LOW is defined as the first edge of CE0, CE1, or CE2 that enables the device. CEX HIGH is defined as the first edge of CE0, CE1, or CE2 that disables the device.

## AC CHARACTERISTICS – WRITE OPERATIONS

(Notes: 1, 2, 3); Commercial Temperature ( $0^{\circ}\text{C} \leq T_A \leq +85^{\circ}\text{C}$ ), Extended Temperature ( $-40^{\circ}\text{C} \leq T_A \leq +85^{\circ}\text{C}$ )

| AC CHARACTERISTICS<br>PARAMETER                      | SYMBOL              | -11/-12/-15 |     | UNITS         | NOTES    |
|------------------------------------------------------|---------------------|-------------|-----|---------------|----------|
|                                                      |                     | MIN         | MAX |               |          |
| RP# High Recovery to WE# (CEX) Going LOW             | $t_{RS}$            | 1           |     | $\mu\text{s}$ | 4        |
| CEX (WE#) LOW to WE# (CEX) Going LOW                 | $t_{CS} (t_{WS})$   | 0           |     | ns            | 5        |
| Write Pulse Width                                    | $t_{WP} (t_{CP})$   | 70          |     | ns            | 5        |
| Data Setup to WE# (CEX) Going HIGH                   | $t_{DS}$            | 50          |     | ns            | 6        |
| Address Setup to WE# (CEX) Going HIGH                | $t_{AS}$            | 55          |     | ns            | 6        |
| CEX (WE#) Hold from WE# (CEX) HIGH                   | $t_{CH} (t_{WH})$   | 0           |     | ns            |          |
| Data Hold from WE# (CEX) HIGH                        | $t_{DH}$            | 0           |     | ns            |          |
| Address Hold from WE# (CEX) HIGH                     | $t_{AH}$            | 0           |     | ns            |          |
| Write Pulse Width HIGH                               | $t_{WPH} (t_{CPH})$ | 30          |     | ns            | 7        |
| V <sub>PEN</sub> Setup to WE# (CEX) Going HIGH       | $t_{VPS}$           | 0           |     | ns            | 4        |
| Write Recovery Before Read                           | $t_{WR}$            | 35          |     | ns            | 8        |
| WE# (CEX) HIGH to STS Going LOW                      | $t_{STS}$           |             | 200 | ns            | 9        |
| V <sub>PEN</sub> Hold from Valid SRD, STS Going HIGH | $t_{VPH}$           | 0           |     | ns            | 4, 9, 10 |
| WE# (CEX) HIGH to Status Register Busy               | $t_{WB}$            |             | 200 | ns            | 4        |

- NOTE:**
1. CEX LOW is defined as the first edge of CE0, CE1, or CE2 that enables the device. CEX HIGH is defined as the first edge of CE0, CE1, or CE2 that disables the device.
  2. Read timing characteristics during BLOCK ERASE, PROGRAM, and LOCK BIT CONFIGURATION operations are the same as during READ-only operations. Refer to AC Characteristics – Read-Only Operations.
  3. A WRITE operation can be initiated and terminated with either CEX or WE#.
  4. Sampled, not 100% tested.
  5. Write pulse width ( $t_{WP}$ ) is defined from CEX or WE# going LOW (whichever goes LOW last) to CEX or WE# going HIGH (whichever goes HIGH first).
  6. Refer to Table 4 for valid A<sub>IN</sub> and D<sub>IN</sub> for block erase, program, or lock bit configuration.
  7. Write pulse width HIGH ( $t_{WPH}$ ) is defined from CEX or WE# going HIGH (whichever goes HIGH first) to CEX or WE# going LOW (whichever goes LOW first).
  8. For array access,  $t_{AA}$  is required in addition to  $t_{WR}$  for any accesses after a WRITE.
  9. STS timings are based on STS configured in its RY/BY# default mode.
  10. V<sub>PEN</sub> should be held at V<sub>PENH</sub> until determination of block erase, program, or lock bit configuration success (SR1/3/4/5 = 0).

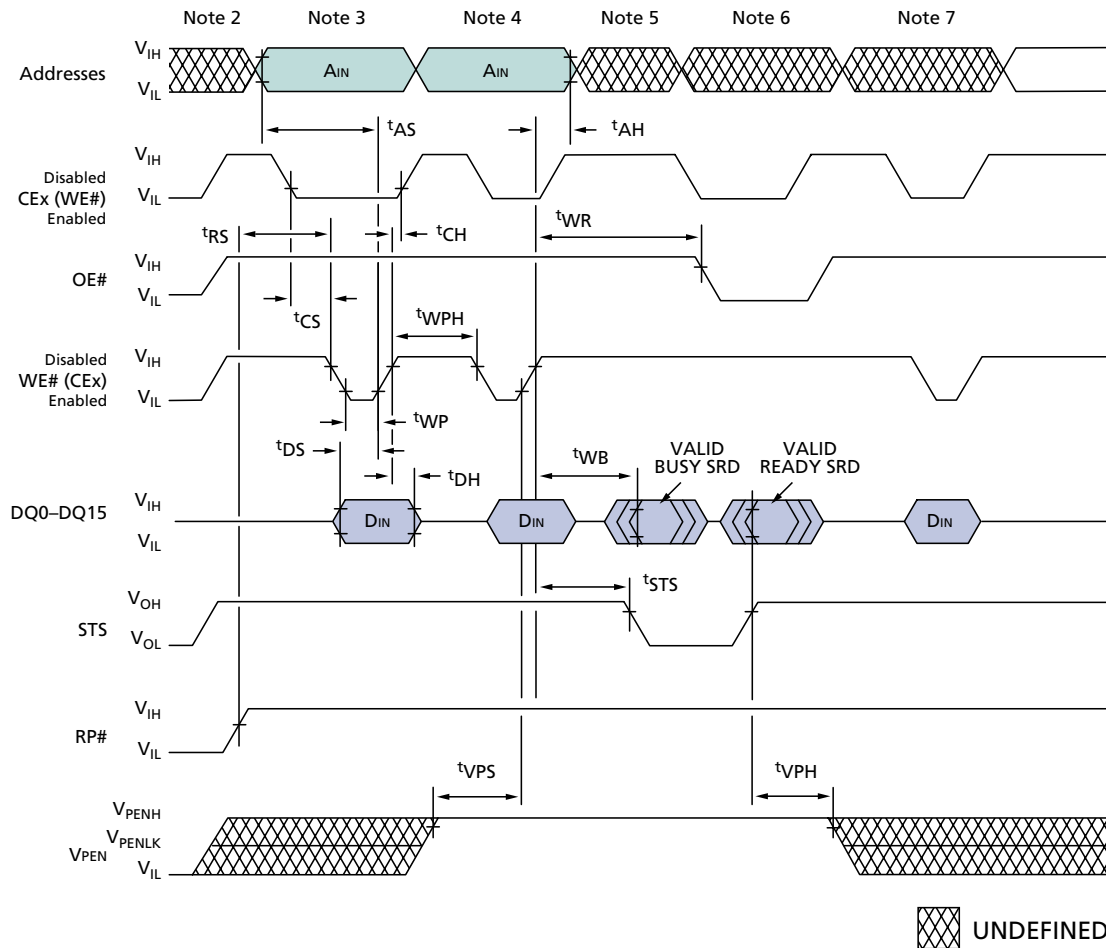
**BLOCK ERASE, PROGRAM, AND LOCK BIT CONFIGURATION PERFORMANCE**

 (Notes: 1, 2, 3); Commercial Temperature ( $0^{\circ}\text{C} \leq T_A \leq +85^{\circ}\text{C}$ ), Extended Temperature ( $-40^{\circ}\text{C} \leq T_A \leq +85^{\circ}\text{C}$ )

| CHARACTERISTICS<br>PARAMETER                                          | SYMBOL            | -11/-12/-15 |                  | UNITS         | NOTES      |
|-----------------------------------------------------------------------|-------------------|-------------|------------------|---------------|------------|
|                                                                       |                   | TYP         | MAX <sup>8</sup> |               |            |
| Write Buffer Byte Program Time<br>(Time to Program 32 bytes/16 words) | $t^{\text{WED1}}$ | 150         | 654              | $\mu\text{s}$ | 4, 5, 6, 7 |
| Byte/Word Program Time (Using WORD/BYTE PROGRAM Command)              | $t^{\text{WED2}}$ | 14          | 630              | $\mu\text{s}$ | 4          |
| Block Program Time (Using WRITE-to-BUFFER Command)                    | $t^{\text{WED3}}$ | 0.6         | 1.7              | sec           | 4          |
| Block Erase Time                                                      | $t^{\text{WED4}}$ | 0.75        | 5                | sec           | 4          |
| Set Lock Bits Time                                                    | $t^{\text{WED5}}$ | 64          | 75               | $\mu\text{s}$ | 4          |
| Clear Block Lock Bits Time                                            | $t^{\text{WED6}}$ | 0.5         | 0.7              | sec           | 5          |
| Program Suspend Latency Time to Read                                  | $t^{\text{LPS}}$  | 25          | 30               | $\mu\text{s}$ |            |
| Erase Suspend Latency Time to Read                                    | $t^{\text{LES}}$  | 26          | 35               | $\mu\text{s}$ |            |

- NOTE:**
1. Typical values measured at  $T_A = +25^{\circ}\text{C}$  and nominal voltages. Assumes corresponding lock bits are not set. Subject to change based on device characterization.
  2. These performance numbers are valid for all speed versions.
  3. Sampled, but not 100% tested.
  4. Excludes system-level overhead.
  5. These values are valid when the buffer is full, and the start address is aligned on a 32-byte boundary.
  6. Effective per-byte program time is  $4.7\mu\text{s}/\text{byte}$  (typical).
  7. Effective per-word program time is  $9.4\mu\text{s}/\text{word}$  (typical).
  8. MAX values are measured at worst-case temperature and  $V_{\text{CC}}$  corner after 100,000 cycles.

### WRITE OPERATIONS<sup>1</sup>



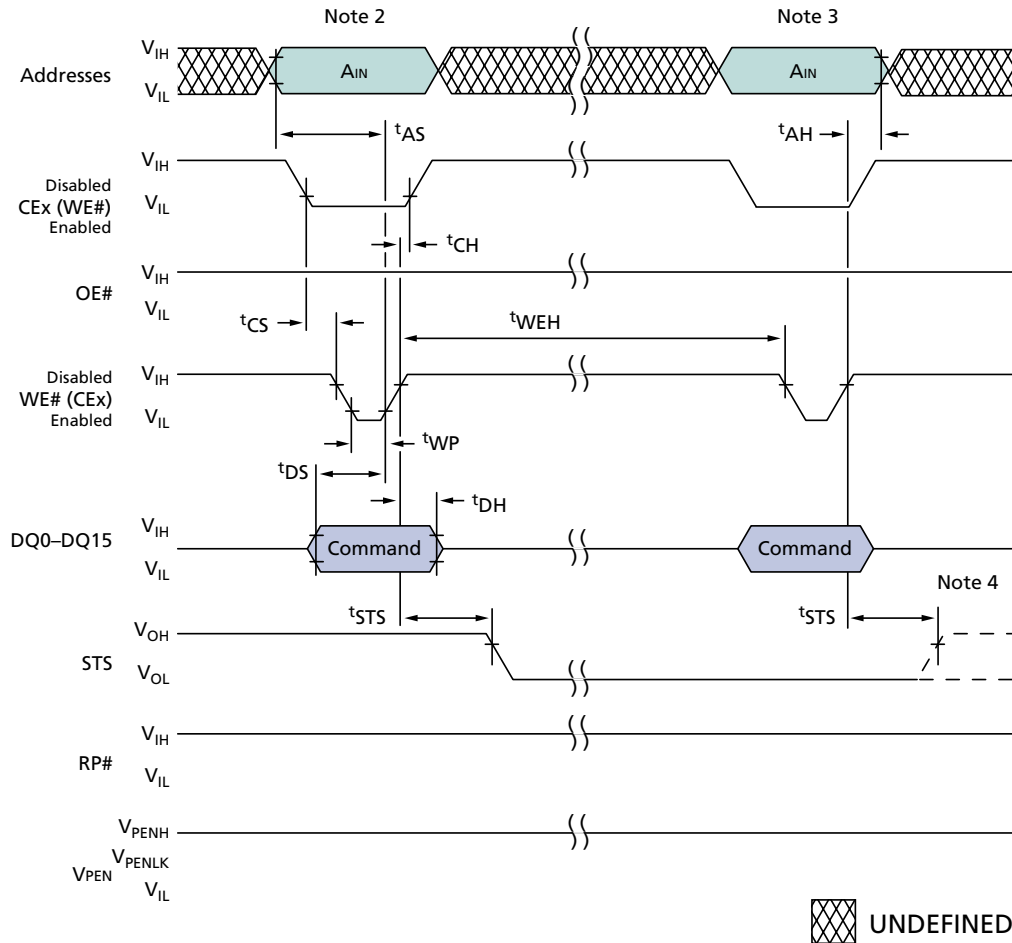
### TIMING PARAMETERS

| SYMBOL   | -11/-12/-15 |     | UNITS   |
|----------|-------------|-----|---------|
|          | MIN         | MAX |         |
| $t_{RS}$ | 1           |     | $\mu$ s |
| $t_{CS}$ | 0           |     | ns      |
| $t_{WP}$ | 70          |     | ns      |
| $t_{DS}$ | 50          |     | ns      |
| $t_{AS}$ | 55          |     | ns      |
| $t_{CH}$ | 0           |     | ns      |
| $t_{DH}$ | 0           |     | ns      |

| SYMBOL    | -11/-12/-15 |     | UNITS |
|-----------|-------------|-----|-------|
|           | MIN         | MAX |       |
| $t_{AH}$  | 0           |     | ns    |
| $t_{WPH}$ | 30          |     | ns    |
| $t_{VPS}$ | 0           |     | ns    |
| $t_{WR}$  | 35          |     | ns    |
| $t_{STB}$ |             | 200 | ns    |
| $t_{VPH}$ | 0           |     | ns    |
| $t_{WB}$  |             | 200 | ns    |

- NOTE:**
1. CEx LOW is defined as the first edge of CE0, CE1, or CE2 that enables the device. CEx HIGH is defined at the first edge of CE0, CE1, or CE2 that disables the device (see Table 2). STS is shown in its default mode (RY/BY#).
  2. Vcc power-up and standby.
  3. Write block erase, write buffer, or program setup.
  4. Write block erase or write buffer confirm, or valid address and data.
  5. Automated erase delay.
  6. Read status register or query data.
  7. WRITE READ ARRAY command.

### RESUME OPERATIONS<sup>1</sup>



### TIMING PARAMETERS

| SYMBOL   | -11/-12/-15 |     | UNITS |
|----------|-------------|-----|-------|
|          | MIN         | MAX |       |
| $t_{CS}$ | 0           |     | ns    |
| $t_{WP}$ | 70          |     | ns    |
| $t_{DS}$ | 50          |     | ns    |
| $t_{AS}$ | 55          |     | ns    |
| $t_{CH}$ | 0           |     | ns    |

| SYMBOL    | -11/-12/-15 |     | UNITS |
|-----------|-------------|-----|-------|
|           | MIN         | MAX |       |
| $t_{DH}$  | 0           |     | ns    |
| $t_{AH}$  | 0           |     | ns    |
| $t_{STS}$ |             | 200 | ns    |
| $t_{WEH}$ | 200         |     | ns    |

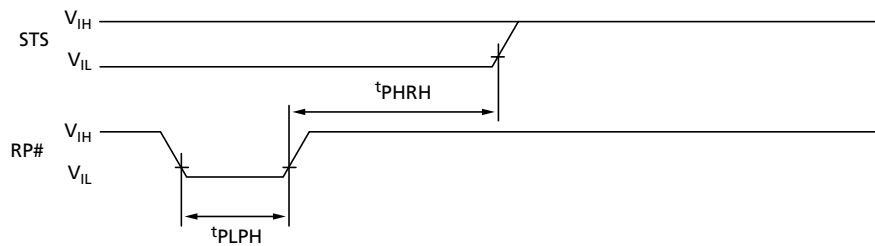
- NOTE:**
1. CEx LOW is defined as the first edge of CE0, CE1, or CE2 that enables the device. CEx HIGH is defined at the first edge of CE0, CE1, or CE2 that disables the device (see Table 2). STS is shown in its default mode (RY/BY#).
  2. Erase resume, or program resume.
  3. Read status, erase suspend or program suspend.
  4. STS value will be:  
V<sub>IH</sub> after ERASE SUSPEND and PROGRAM SUSPEND commands  
V<sub>IL</sub> after READ STATUS command



**RESET SPECIFICATIONS**

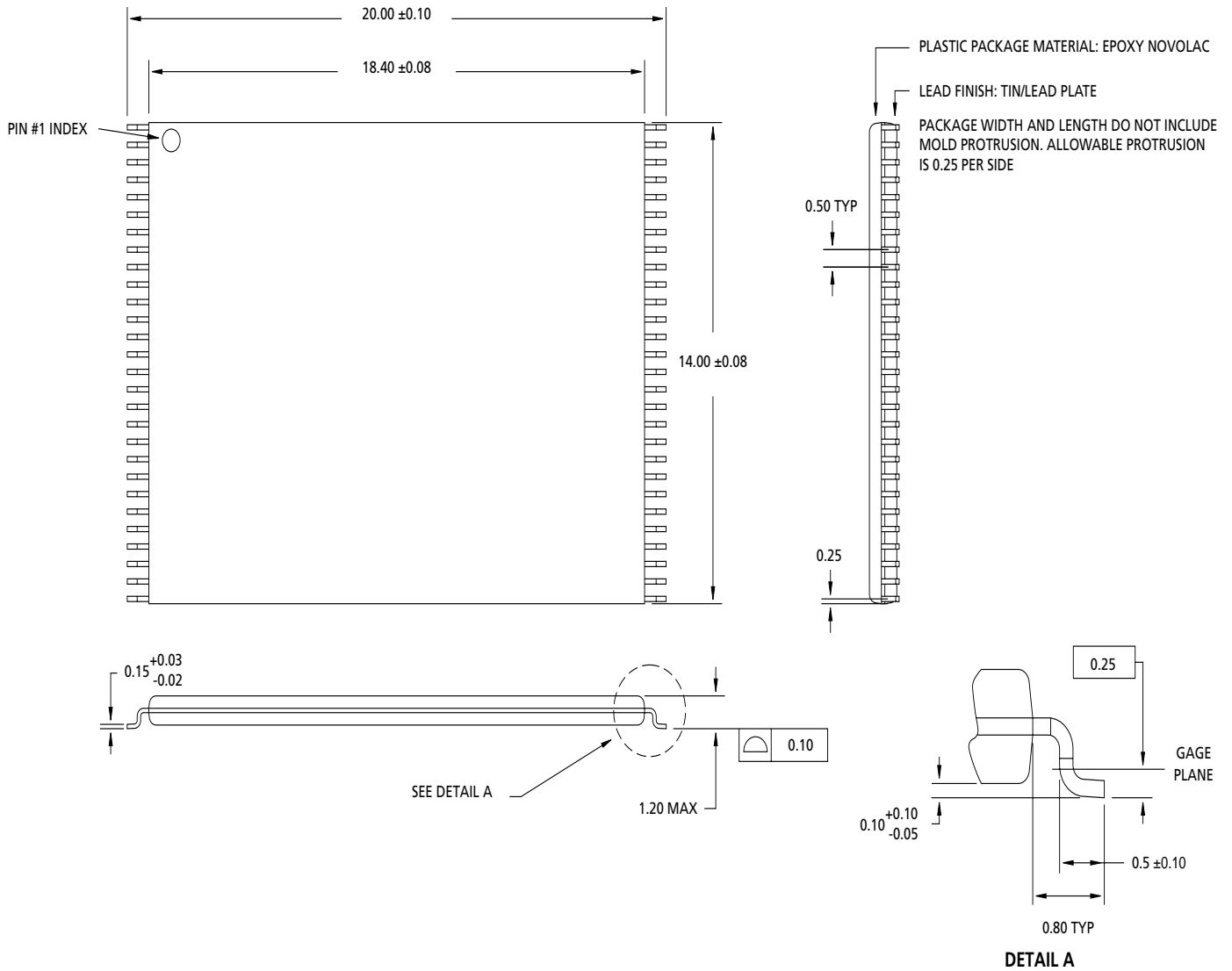
 (Note: 1); Commercial Temperature ( $0^{\circ}\text{C} \leq T_A \leq +85^{\circ}\text{C}$ ), Extended Temperature ( $-40^{\circ}\text{C} \leq T_A \leq +85^{\circ}\text{C}$ )

| CHARACTERISTICS<br>PARAMETER                                                                     | SYMBOL     | -11/-12/-15 |     | UNITS         | NOTES |
|--------------------------------------------------------------------------------------------------|------------|-------------|-----|---------------|-------|
|                                                                                                  |            | MIN         | MAX |               |       |
| RP# Pulse Low Time<br>(If RP# is tied to V <sub>CC</sub> , this specification is not applicable) | $t_{PLPH}$ | 35          |     | $\mu\text{s}$ | 2     |
| RP# HIGH to Reset during Block Erase, Program, or Lock Bit Configuration                         | $t_{PHRH}$ |             | 100 | ns            | 3     |

**RESET OPERATION<sup>4</sup>**


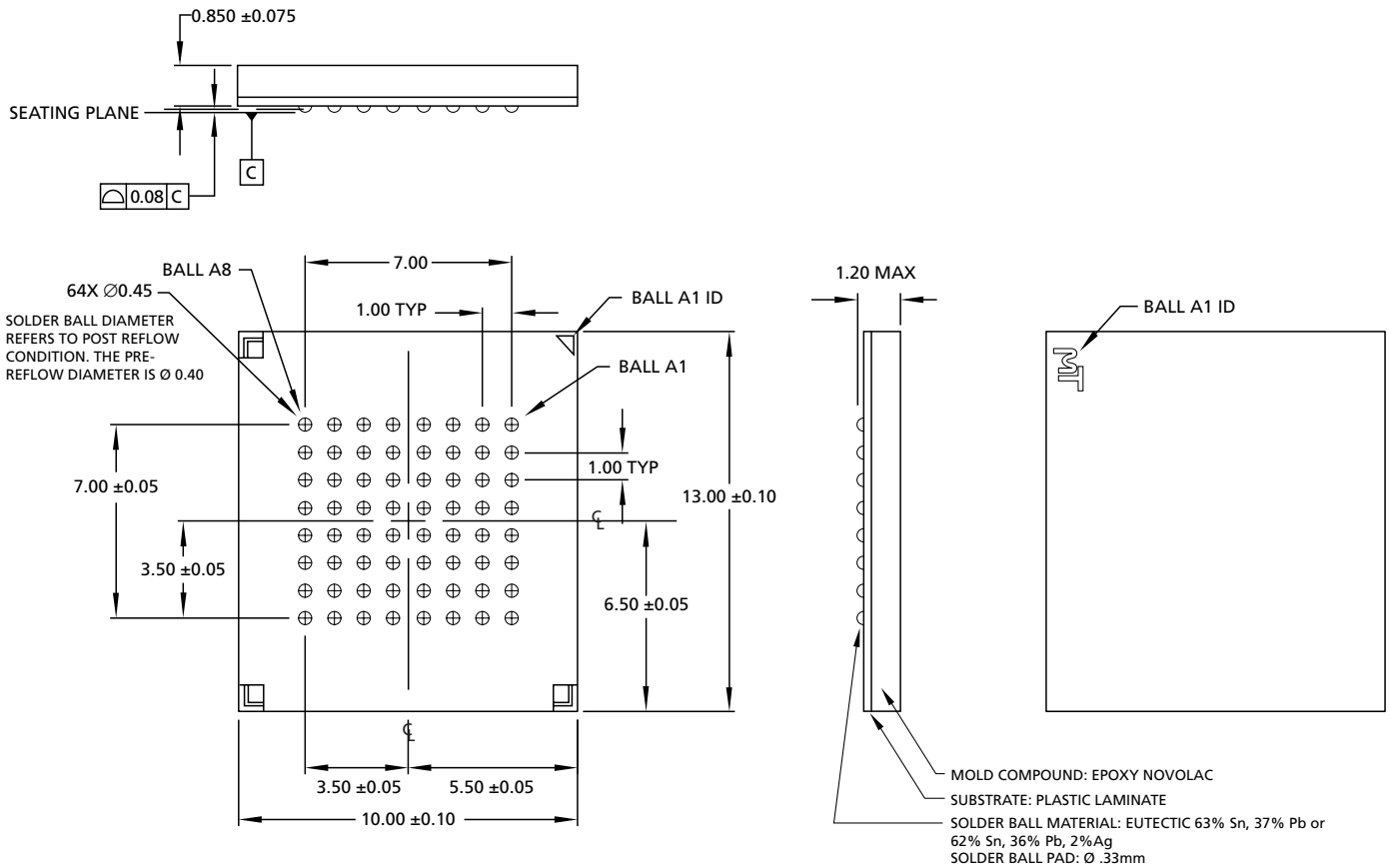
- NOTE:**
1. STS is shown in its default mode (RY/BY#).
  2. These specifications are valid for all product versions (packages and speeds).
  3. If RP# is asserted while a BLOCK ERASE, PROGRAM, or LOCK BIT CONFIGURATION operation is not executing, then the minimum required RP# pulse LOW time is 100ns.
  4. A reset time,  $t_{PHQV}$ , is required from the latter of STS (in RY/BY# mode) or RP# going HIGH until outputs are valid.

**56-PIN TSOP TYPE I**



- NOTE:**
1. All dimensions in millimeters.
  2. Package width and length do not include mold protrusion; allowable mold protrusion is 0.25mm per side.

**64-BALL FBGA**



**NOTE:** 1. All dimensions in millimeters.

**DATA SHEET DESIGNATIONS**

**Preliminary:** This data sheet contains initial characterization limits that are subject to change upon full characterization of production devices. This designation applies to the MT28F320J3 and MT28F128J3 devices.

**No Marking:** This data sheet contains minimum and maximum limits specified over the complete power supply and temperature range for production devices. Although considered final, these specifications are subject to change, as further product development and data characterization sometimes occur. This designation applies to the MT28F640J3 device.



**8000 S. Federal Way, P.O. Box 6, Boise, ID 83707-0006, Tel: 208-368-3900**

**E-mail: prodmktg@micron.com, Internet: http://www.micron.com, Customer Comment Line: 800-932-4992**

Micron, the Micron and M logos and Q-Flash are trademarks and/or servicemarks of Micron Technology, Inc.

**REVISION HISTORY**

|                                                                                                                                                                                       |       |
|---------------------------------------------------------------------------------------------------------------------------------------------------------------------------------------|-------|
| Rev. 6 .....                                                                                                                                                                          | 8/02  |
| • Added commercial temperature range                                                                                                                                                  |       |
| • Updated Configuration Coding Definitions table                                                                                                                                      |       |
| • Removed 3.0V–3.6V V <sub>CCQ</sub> voltage range option                                                                                                                             |       |
| • Updated V <sub>LKO</sub> , V <sub>PENLK</sub> , t <sub>AOA</sub> , t <sub>ODC</sub> , t <sub>APA</sub> , t <sub>CH</sub> (t <sub>WH</sub> ), t <sub>STS</sub> , and t <sub>WB</sub> |       |
| • Added Resume Operations timing diagram                                                                                                                                              |       |
| Rev. 5 .....                                                                                                                                                                          | 5/02  |
| • Updated MT28F320J3 information                                                                                                                                                      |       |
| Rev. 4 .....                                                                                                                                                                          | 2/02  |
| • Added V <sub>CCQ</sub> = 4.5V–5.5V parameter for 32Mb and 64Mb devices                                                                                                              |       |
| • Updated erase and program timing parameters                                                                                                                                         |       |
| • Removed Block Erase Status bit                                                                                                                                                      |       |
| Rev. 3 .....                                                                                                                                                                          | 6/01  |
| • Updated package drawing and corresponding notes                                                                                                                                     |       |
| Rev. 2 .....                                                                                                                                                                          | 5/01  |
| • Added 128Mb device information                                                                                                                                                      |       |
| • Added 64-ball FBGA (1.0mm pitch) package                                                                                                                                            |       |
| Original document, Rev. 1 .....                                                                                                                                                       | 12/00 |