

FEATURES

- 1200 baud Bell 202 and ITU-T V.23 Frequency Shift Keying (FSK) Demodulation
- Compliant with following specifications:
Bellcore GR-30-CORE & SR-TSV-002476
TIA/EIA-716, TIA/EIA-777 Draft
British Telecom (BT) SIN227 & SIN242
ETSI ETS 300 778-1 and -2
- Bellcore "CPE Alerting Signal (CAS)", British Telecom "Idle State and Loop State Tone Alert Signal" and ETSI "Dual Tone Alerting Signal (DT-AS)" detection
- Two separate OP amps with adjustable gain for Tip/Ring and Telephone Hybrid connections
- Monitoring of the stop bit for framing error check
- Serial FSK data interface with selectable output of bit stream or 1 byte buffer
- FSK carrier detection
- 3 V or 5 V operation
- Low power CMOS with intelligent powerdown mode
- Operating temperature range: -40 °C to +85 °C
- Packages available:
NW6005-XS 20 pin SOIC
(where 'X' is the revision ID)

DESCRIPTION

The NW6005 device is a single-chip, 3/5 Volt CMOS caller ID with call waiting detection circuit. It can receive signals following Bellcore GR-30-CORE & SR-TSV-002476, BT SIN227 & SIN242, and ETSI ETS 300 788-1/-2 specifications.

The NW6005 provides 1200 baud Bell 202 and ITU-T V.23 FSK demodulation and CAS/DT-AS detection. Two separate differential input amplifiers allow the device to be connected with both Tip/Ring and Telephone Hybrid receive pair. FSK demodulation is implemented only on Tip/Ring, while DT-AS (or CAS) detection can be on either Tip/Ring or Hybrid Receive. In addition, NW6005 provides a serial FSK data interface via which the data can be selected to be processed as a bit stream or extracted from a 1 byte built-in buffer.

The device can be used in feature or cordless phones for BT Calling Line Identity Presentation (CLIP), CCA CLIP and Bellcore Calling Identity Delivery (CID) systems. It can also be used in caller ID boxes, modem, fax machines, answering machines, database query systems and Computer Telephony Integration (CTI) systems.

FUNCTIONAL BLOCK DIAGRAM

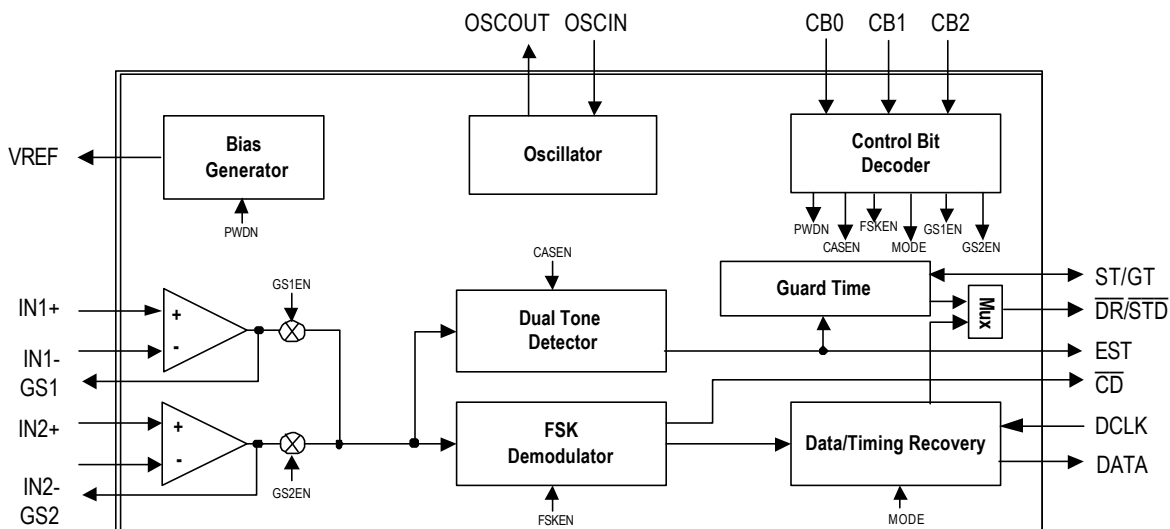


Figure 1. Block Diagram

PIN INFORMATION

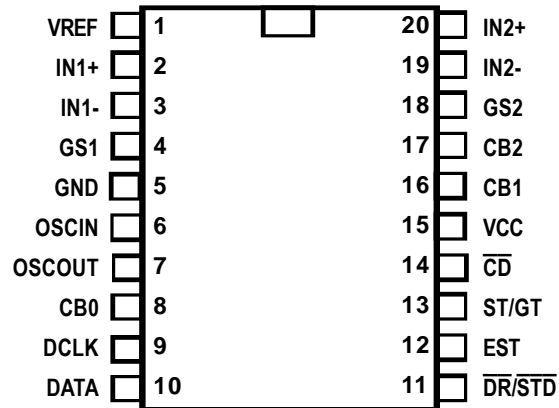


Figure 2. Pin Assignment

| Name | Type | Pin No. | Description |
|--------|------|---------|--|
| VREF | O | 1 | Reference Voltage. This output is used to bias the input OP amp. It is typically $VCC/2$. |
| IN1+ | I | 2 | Non-inverting Input of the gain adjustable Tip/Ring OP amp. |
| IN1- | I | 3 | Inverting Input of the gain adjustable Tip/Ring OP amp. |
| GS1 | O | 4 | Gain Select Output of the gain adjustable Tip/Ring OP amp. The Tip/Ring signal can be attenuated or amplified at GS1 by adjusting the feedback resistor between GS1 and IN1-. The FSK signal is always detected by Tip/Ring OP amp while DT-AS signal can be detected by either Tip/Ring or Hybrid OP amp. The OP amp selection is controlled by CB1 and CB2 pins. |
| GND | - | 5 | Ground. |
| OSCIN | I | 6 | Oscillator Input. A 3.579545 MHz crystal or ceramic resonator should be connected between this pin and the OSCOUT. It can also be driven by an external clock source. |
| OSCOUT | O | 7 | Oscillator Output. A 3.579545 MHz crystal or ceramic resonator should be connected between this pin and the OSCIN. When an external clock drives OSCIN, this pin can be left floating. |
| CB0 | I | 8 | Control Bit 0 (FSK Data Interface Mode Select). This pin can select the 3-wire FSK data interface mode. A '0' on this pin indicates interface mode 0; while a '1' on this pin indicates interface mode 1. (The FSK data interface is consisted of DATA, DCLK and $\overline{DR/STD}$ pins.) When CB0 is high and CB1, CB2 are both low, the device is set into the power down state. |
| DCLK | I/NC | 9 | Data Clock of the Serial FSK Interface. In mode 0 (CB0 is low), this pin is unused; In mode 1 (CB0 is high), this pin is an input which clock the FSK data byte out to the DATA pin. |
| DATA | O | 10 | Data Output of the Serial FSK Interface. In mode 0 (CB0 is low), the FSK serial bit stream is output to the DATA pin directly. In mode 1 (CB0 is high), the start bit is stripped off, the data byte and the stop bit is stored in a 9-bit buffer. At the end of each word signaled by the $\overline{DR/STD}$ pin, the microcontroller should shift the byte out onto the DATA pin by applying 8 read pulses to the DCLK pin. A 9 th DCLK pulse will shift out the stop bit for framing error checking. |

PIN INFORMATION (CONTINUED)

| Name | Type | Pin No. | Description |
|---------------------|------|---------|---|
| $\overline{DR/STD}$ | O/NC | 11 | Data Ready or DT-AS Detection Delayed Steering Output. This pin is active low. When FSK demodulation is enabled, this pin is the Data Ready output. In FSK interface mode 0, this pin is unused and reads '1'. While mode 1, this pin is normally high and goes low for half a bit time at the end of a word. If DCLK starts during \overline{DR} low, the first rising edge of the DCLK input will return \overline{DR} to high. In this way, reading of the first DATA bit can clear the interrupt requested by a low going \overline{DR} . When DT-AS detection is enabled, this pin is the Delayed Steering Output. An active low signal on this output indicates the detection of a 'guard time qualified' DT-AS. |
| EST | O | 12 | DT-AS Early Steering Output. This pin is an active high output to indicate the detection of a raw DT-AS signal. It is used with the ST/GT pin and external components to time qualify the detection. |
| ST/GT | I/O | 13 | DT-AS Detection Steering Input/Guard Time Output. It's a CMOS output and an input of voltage comparator. It is used in conjunction with the EST pin and external components to time qualify a raw DT-AS signal detection. If the voltage at this pin is greater than the voltage threshold, $\overline{DR/STD}$ pin is asserted low to indicate that a DT-AS has been detected. A voltage less than the threshold enable the device to accept a new DT-AS and return the $\overline{DR/STD}$ pin to high. |
| CD | O | 14 | FSK Carrier Detector. This is an active low CMOS output signal to indicate the presence of in-band FSK signal. |
| VCC | - | 15 | 3/5 V Power Supply. |
| CB1 | I | 16 | Control Bit 1 (Function Select 1). This pin is used with CB0 and CB2 to select FSK demodulation, Tip/Ring DT-AS detection or Hybrid DT-AS detection. See Table 1. When CB0 is high, CB1 and CB2 pins are both low, the device is set into the power down state. |
| CB2 | I | 17 | Control Bit 2 (Function Select 0). This pin is used with CB0 and CB1 to select FSK demodulation, Tip/Ring DT-AS detection or Hybrid DT-AS detection. See Table 1. When CB0 is high, CB1 and CB2 pins are both low, the device is set into the power down state. |
| GS2 | O | 18 | Gain Select Output of the gain adjustable Hybrid OP amp. The hybrid receive signal can be amplified or attenuated at GS2 by adjusting the feedback resistor between GS2 and IN2-. When the CPE is off-hook, DT-AS detection of the GS2 signal should be enabled via the CB1 and CB2 pins. |
| IN2- | I | 19 | Inverting Input of the gain adjustable Hybrid OP amp. |
| IN2+ | I | 20 | Non-inverting Input of the gain adjustable Hybrid OP amp. |

Abbreviation Index

| | | |
|-------|-------|---|
| CAS | ----- | CPE Alerting Signal |
| CDS | ----- | Caller Display Service |
| CID | ----- | Calling Identity Delivery |
| CIDCW | ----- | Calling Identity Delivery on Call Waiting |
| CLIP | ----- | Calling Line Identity Presentation |
| CNAM | ----- | Calling Name Delivery |
| CND | ----- | Calling Number Delivery |
| CNIC | ----- | Calling Number Identification Circuit |
| CO | ----- | Central Office |
| DT-AS | ----- | Dual Tone Alert Signal |
| MEI | ----- | Multiple Extension Interworking |
| TE | ----- | Terminal Equipment |

PIN INFORMATION (CONTINUED)

Table 1. Description of Control Bit Pins CB0-2

| Pin | Name | Description | | |
|-----|--------------------------------|-------------|---|---|
| CB0 | FSK Data Interface Mode Select | 0 | FSK Data Interface Mode 0: FSK bit stream is output directly. | |
| | | 1 | FSK Data Interface Mode 1: FSK byte is stored in a 1-byte buffer, which can be read serially by the microcontroller. | |
| CB1 | Function Select 1 | CB1 | <p>FSK Demodulation is enabled. Tip/Ring input (GS1) is selected. In FSK Mode 1 operation (CB0 = '1'), $\overline{DR}/\overline{STD}$ is \overline{DR}.</p> <p>Hybrid DT-AS Detection is enabled. Hybrid Receive input (GS2) is selected. $\overline{DR}/\overline{STD}$ is \overline{STD}.</p> <p>Tip/Ring DT-AS Detection is enabled. Tip/Ring input (GS1) is selected. $\overline{DR}/\overline{STD}$ is \overline{STD}. Tip/Ring DT-AS detection is required for Bellcore MEI and BT on-hook CLIP.</p> <p>When CB0 is high ('1'): the NW6005 will be powered down. It draws minimal power supply current.</p> <p>When CB0 is low ('0'): for factory testing only.</p> | |
| CB2 | Function Select 0 | CB2 | | |
| | | 1 | | 1 |
| | | 0 | | 0 |

FUNCTIONAL DESCRIPTION

CALLER ID SPECS SUPPORTED

The NW6005 is a type II Caller ID device with Call Waiting capability. It supports Bellcore, BT and ETSI specifications. The major differences between above specs are as follows (see Fig. 11, Fig. 12 and Fig. 13 for reference):

BELLCORE AND TIA

Bellcore GR-30-CORE and SR-TSV-002476 define the requirement for the signalling services of Calling Number Delivery (CND), Calling Name Delivery (CNAM), VMWI (Visual Message Waiting Indicator) and Calling Identity Delivery on Call Waiting (CIDCW).

In CND or CNAM service, information of the calling party is embedded in the silent interval between the first and second ringing. The NW6005 can detect and demodulate the incoming Bell-202 FSK data. In CIDCW service, information about an incoming caller is sent to the subscriber who is engaged in another call. A CPE Alerting Signal (CAS) indicates that a CIDCW data is incoming. The NW6005 can detect the alerting signal and demodulate the incoming FSK information which contains CIDCW data. The demodulated data is output onto the serial interface.

In North America, Telecommunications Industry Association (TIA) also defines standards. TIA specification TIA/EIA-716 defines Type I CPE requirements. A type II CPE specification document is drafted as TIA/EIA-777. FSK characteristics in TIA specifications differ from those Bellcore published in its specifications.

BRITISH TELECOM

BT SIN227 and SIN242 define the signal interface between the Central Office (CO) and the Terminal Equipment (TE) for the Caller Display Service (CDS). CDS provides CLIP (Calling Line Identity Presentation) that delivers to an idle state (on hook) TE the identity of an incoming caller before the first ring.

A polarity reversal on the A and B wires indicates the arrival of a CDS call. After that comes an Idle State Tone Alert Signal, and then Caller ID FSK information transmitted in ITU-T V.23 format. When the subscriber is engaged in a call, the arrival of information about another incoming call is indicated by a Loop State Tone Alert Signal. The NW6005 can detect tone alert signal and demodulate the incoming ITU-T V.23 FSK signals.

ETSI

The ETSI caller identity specifications ETS 300 788-1 for on-hook and ETS 300 788-2 for off-hook define the requirements for CPE, while ETS 300 659-1 for on-hook and ETS 300 659-2 for off-hook define the end office requirements. The services such as CLIP and CLIP with Call Waiting in ETSI specifications are similar to those of Bellcore. The ETSI specifications are popularly used in Europe.

DT-AS DETECTION ON EITHER TIP/RING OR HYBRID RECEIVE PAIR

In off-hook services, the detection of Dual Tone Alert Signal (DT-AS) will affect the quality of the call waiting service. Even though the end office has muted the far end party before and after it sends DT-AS, the near end user who is to receive the FSK information may be still talking. Therefore, the CPE must be able to detect DT-AS successfully in the presence of near end speech. Furthermore, imitation of DT-AS by speech will also affect the DT-AS detector, thus false detection may be generated.

To achieve better DT-AS detection quality, a method is to put DT-AS detection on the telephone hybrid receive pair instead of on Tip/Ring. As the near end speech has been attenuated while the DT-AS level is the same as on Tip/Ring, the DT-AS immunity is improved.

A CPE capability called Multiple Extension Interworking(MEI), in process of being defined by Bellcore, requests the CPE be capable of detecting DT-AS when the line is off-hook, although the CPE itself may be on-hook. Under some conditions, an on-hook CPE may send an acknowledgment to the end office. Also, the on-hook CPE's capability of detecting DT-AS enables the call logs between on and off-hook CPEs to be maintained synchronous. In this way, when all off-hook CPEs are MEI compatible and DT-AS is received, one of the CPEs will send the acknowledgment signal and all CPEs will receive FSK.

Therefore, if the DT-AS detector is connected only to the hybrid receive pair, the CPE can not detect DT-AS when it is on-hook. When the CPE is on-hook, either the hybrid is non-functional or the signal level is severely attenuated. Thus, an on-hook CPE must be able to detect DT-AS from Tip/Ring.

The NW6005 provides two input OP amps via which the device can be connected both to Tip/Ring and to the Hybrid Receive pairs. Both connection can be differential or single-ended. FSK demodulation is implemented only on Tip/Ring, while DT-AS detection can be on either Tip/Ring or Hybrid Receive. Tip/Ring DT-AS detection is required for MEI and BT's on-hook CLIP.

It should be noted here that as the Hybrid OP amp is for DT-AS detection only, its gain can always be adjusted specifically for the DT-AS signal.

BLOCK DESCRIPTION

The NW6005 requires a 3.579545 MHz system clock and consists of three major functional blocks: Analog Input Circuit, Dual Tone Alert Signal Detection, and FSK Demodulation.

ANALOG INPUT CIRCUIT

The input signal is processed by the Analog Input Circuit block, which is comprised of two OP amps and a bias source (VREF). VREF is the output of a low impedance voltage source used to bias the input OP amp, and is typically equal to VCC/2. The Tip/Ring OP amp (IN1+, IN1-, GS1 pins) is for connecting to Tip and Ring, while the Hybrid OP amp (IN2+, IN2-, GS2 pins) is for connecting to Hybrid Receive Pair. The gain adjustable OP amps are also used to select the input gain by connecting a feedback resistor between GS and the IN- pin. Fig. 3 shows the differential input configuration. In single-ended configuration, the gain adjustable OP amp is connected as shown in Fig. 4.

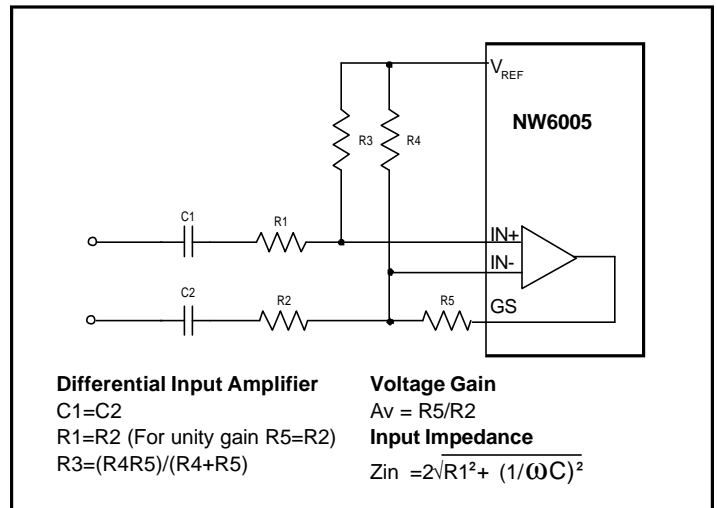


Figure 3. Differential Input Gain Control Circuit

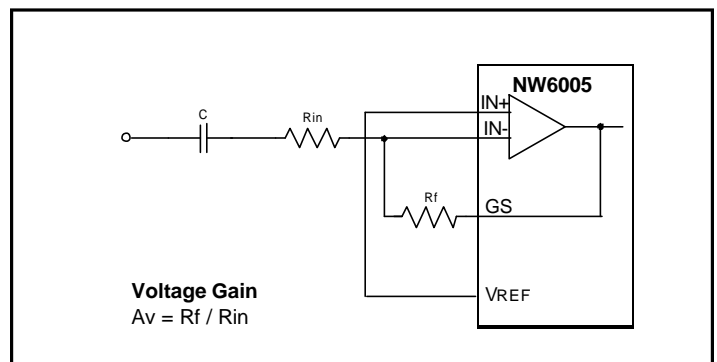


Figure 4. Single-ended Input Gain Control Circuit

DUAL TONE ALERT SIGNAL DETECTION

The Dual Tone Alert Signal is used only in off-hook signalling in Bellcore system and ETSI system, but in BT system it is used in both on and off-hook signalling. The low and high tone frequencies of three different systems are as follows:

| | BT | Bellcore & ETSI |
|---------------------|---|-----------------|
| Low Tone Frequency | 2130 Hz ± 1.1% (on-hook) 2130 Hz ± 0.6% (off-hook) | 2130 Hz ± 0.5% |
| High Tone Frequency | 2750 Hz ± 1.1% (on-hook) 2750 Hz ± 0.6% (off-hook) | 2750 Hz ± 0.5% |

When the device selects DT-AS detection, the bi-purpose output pin DR/STD is STD. STD goes low when DT-AS has been detected and return high after DT-AS has ended.

The incoming Alert Signal goes through anti-alias filter and then is separated into high band and low band by two bandpass filters. The tone detection algorithm examines the filter outputs to validate the arrival of the DT-AS. The EST pin becomes active when both tones are detected. The EST is only the preliminary indication, it must be qualified by the "guard time" as required by Bellcore, BT and ETSI (a minimum duration for valid signals). STD is the guard time qualified DT-AS detection output, it indicates the correct detection.

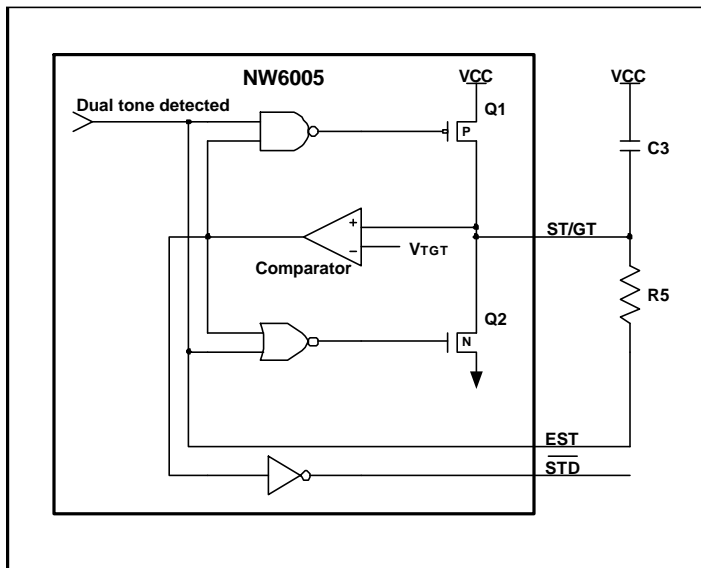


Figure 5. Guard Time Circuit of Dual Tone Alert Signal Detection

Fig. 5 shows the operation of the guard time circuit and Fig. 6 shows the waveform of the EST, ST/GT and STD pins. The total recognition time is $t_{REC} = t_{DP} + t_{GP}$, where t_{DP} is the tone present detection time and t_{GP} is the tone present guard time. The total absent time is $t_{ABS} = t_{DA} + t_{GA}$, where t_{DA} is the tone absent detection time and t_{GA} is the tone absent guard time. The guard time is the RC time constant for the capacitor charge to VCC or discharge to GND. To get the unequal present and absent guard time, a diode can be connected as shown in Fig. 7 to provide different RC time constant (varying resistance value) during charging and discharging.

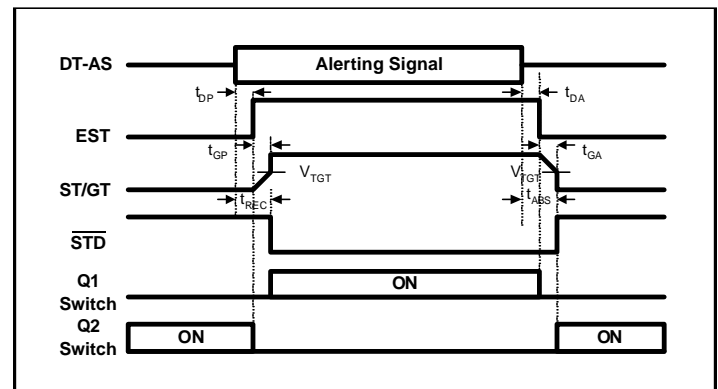


Figure 6. Guard Time Waveform

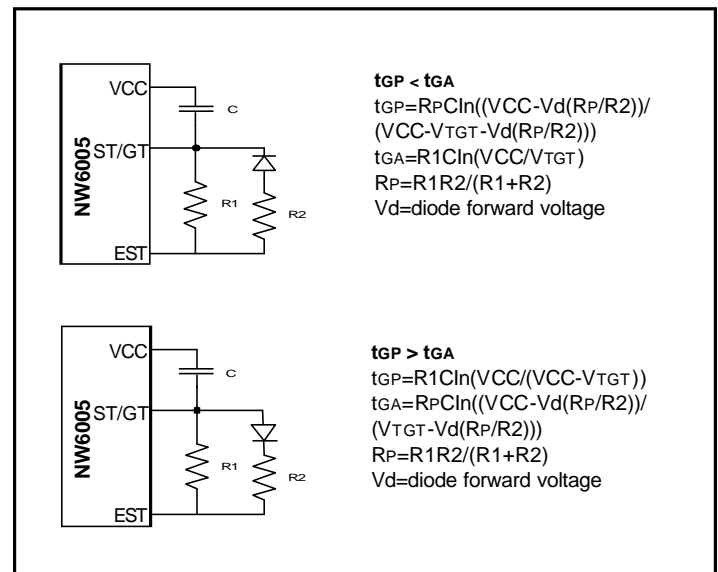


Figure 7. Guard Time Circuits with Unequal Present and Absent Times

FSK DEMODULATION

The key part among the functions offered by NW6005 is FSK demodulation. This function is implemented by several stages: first, the carrier detector provides an indication of the presence of signal at the bandpass filter output; second, the device's dual mode serial interface allows convenient extraction of the 8-bit data words in the demodulated FSK bit stream.

The FSK characteristics are different in BT, ETSI and Bellcore specifications. The signal frequencies in BT and ETSI correspond to ITU-T V.23; the Bellcore frequencies correspond to Bell 202. The NW6005 is compatible with both formats. It also meets the signal characteristics by setting the Tip/Ring input OP amp at unity gain in 5V operation.

| | ITU-T V.23 | Bell 202 |
|-------------------|--------------------|------------------|
| Mark Freq. ('1') | 1300 Hz \pm 1.5% | 1200 Hz \pm 1% |
| Space Freq. ('0') | 2100 Hz \pm 1.5% | 2200 Hz \pm 1% |

For 3 V operation, the FSK receiver becomes easier to accept lower level signals than in 5 V operation. The Tip/Ring input OP amp gain should be reduced to maintain the FSK reject level.

SERIAL FSK INTERFACE

The three wire DATA, DCLK and \overline{DR} form the data interface of the FSK demodulation. The DATA pin is the serial data pin that outputs data to external devices. The DCLK pin is the data clock which is used in Mode '1' and is generated by an external device. The \overline{DR} pin is the data ready signal used in Mode '1', also an output from the NW6005 to external devices. $\overline{DR}/\overline{STD}$ pin is a dual purpose output pin, when FSK function is selected it is \overline{DR} .

The FSK interface provides the mechanism to extract the 8-bit data words in the demodulated FSK bit stream without the need either for an external UART or for the CPE's microcontroller to perform the function in software. Two modes are selectable via control of the device's CB0 pin: Mode '0' (CB0 is low), where the FSK bit stream is output directly; Mode '1' (CB0 is high), where the data byte and the stop bit are stored in a 9 bit buffer.

Mode '0' (CB0 is low)

In this mode, the device demodulates the incoming FSK signal, and output the data directly to the DATA pin. DCLK and \overline{DR} pins are unused. Fig. 19 and Fig. 20 shows the timing diagram of Mode '0' operation.

Mode '1' (CB0 is high)

In this mode, the received byte is stored on chip. The microcontroller supplies read pulses (DCLK) to shift the register contents serially out of the NW6005, onto the DATA pin. The NW6005 asserts \overline{DR} to denote the word boundary and indicate to the microprocessor that a new word has become available. Internal to the device, the demodulated data bits are sampled and stored. Midway through the stop bit, the 8 data bits and the stop bit are parallel loaded into a 9-bit shift register and \overline{DR} goes low. The contents of register are shifted out to DATA pin on DCLK's rising edge with LSB (Least Significant Bit) out first. If DCLK begins while \overline{DR} is low, \overline{DR} will return to high upon the first DCLK rising edge. This feature allows the associated interrupt to be cleared by the first read pulse. Otherwise, \overline{DR} stays low for half a nominal bit time (1/2400 sec) and then returns to high. After the last bit (Most Significant Bit) has been read, additional DCLKs are ignored. Fig. 18 shows the timing diagram of Mode '1' operation.

Reading the stop bit is a method of checking framing errors. If it's certain that there is no framing error would occur, the microcontroller only needs to send 8 DCLK pulses to shift the data byte out. After the checksum byte has been received, all 9 bits should be read and framing error checked.

FSK CARRIER DETECTION

The carrier detector detects the presence of a signal of sufficient amplitude at the output of the FSK bandpass filter. If the signal is qualified by a digital algorithm, it set the \overline{CD} output to low indicating a successful carrier detection. NW6005 supplies a 10 ms hysteresis to allow for momentary signal drop out once \overline{CD} has been activated. When there is no activity at the FSK bandpass filter output for 10 ms, \overline{CD} is released.

When \overline{CD} is inactive (high), the raw output of the FSK demodulator is ignored by the FSK data output interface. In mode '0', the DATA pin is forced high. In mode '1', the internal shift register is not updated. If DCLK is clocked, DATA is undefined.

Since signals such as DT-AS, DTMF tones and speech are within the FSK frequency band and thus may activate the carrier detector. The NW6005 should be put into DT-AS or power down mode when FSK is not expected to avoid false carrier detection and false demodulation.

OTHER FUNCTIONS

POWER-DOWN MODE

The device provides the power-down feature to reduce the power consumption. Power-down can be activated by setting Control Bits 0-2 to '100'. Note that momentary transition of CB0-2 into the power-down code won't activate power-down but will reset the device.

In this mode, both input OP amps, reference voltage and the oscillator are non functional. When the device is in power-down, DATA, DR/STD, CD are high; EST and ST/GT are low.

An intelligent Power-down feature is implemented to further reduce the operating current. When FSK is selected, DT-AS detector is powered down. When DT-AS is selected, FSK demodulator is powered down. The Tip/Ring and Hybrid input OP amps are not affected in the intelligent Power-down.

CRYSTAL OSCILLATOR

A 3.579545 MHz crystal oscillator or other external clock source is required for NW6005. The crystal can be directly connected between OSCIN and OSCOUT pins without any external component. If an external clock source is used, OSCIN pin should be driven by the clock source and OSCOUT pin is left floating or is used to drive other devices. Fig. 8 shows some applications.

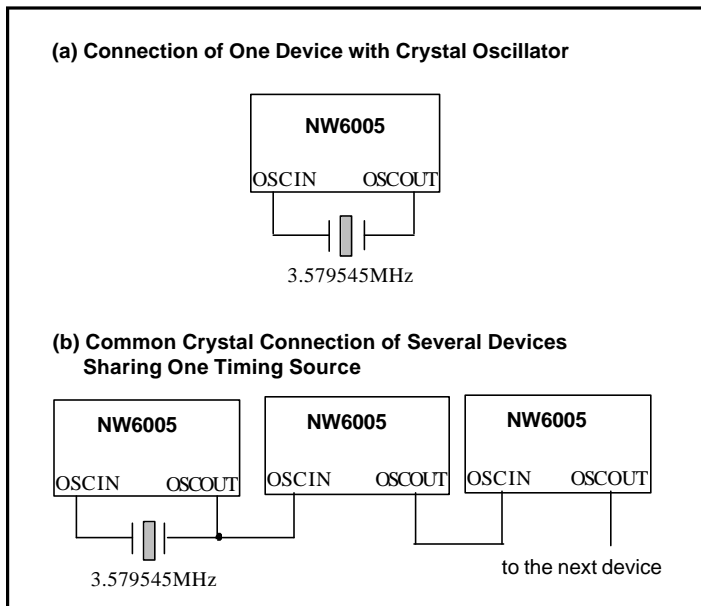


Figure 8. Application of Clock Driven Circuit

APPLICATION NOTE

CONTROL BITS PROGRAMMING

Functionality of the NW6005 can be selected by coding CB0-CB2, as shown in Table 2.

Table 2. Control Bits Programming

| Functionality Group | CB0 | CB1 | CB2 |
|--------------------------|-----|-----|-----|
| FSK Demodulation Mode 0 | 0 | 1 | 1 |
| FSK Demodulation Mode 1 | 1 | 1 | 1 |
| Hybrid DT-AS Detection | 1/0 | 1 | 0 |
| Tip/Ring DT-AS Detection | 1/0 | 0 | 1 |
| Power Down | 1 | 0 | 0 |
| Factory Test Only | 0 | 0 | 0 |

HYBRID CONNECTION

To optimize the device's talkdown and talkoff performance, Hybrid connection is recommended. There are two Op Amps in NW6005 which bring convenience for Hybrid connection. When connected to the Hybrid Op Amp, the Hybrid circuit will attenuate the speech signal at least 9 dB from the microphone to the speaker, which leads a much better performance of near-end talkdown and talkoff.

It is highly recommended to demodulate the FSK signal using the Tip/Ring OP Amp and to detect the CAS signal using the Hybrid OP Amp. This implementation brings not only optimized talkdown and talkoff performance, but also the convenience to adjust FSK and CAS sensitivity separately.

GAIN SETTING

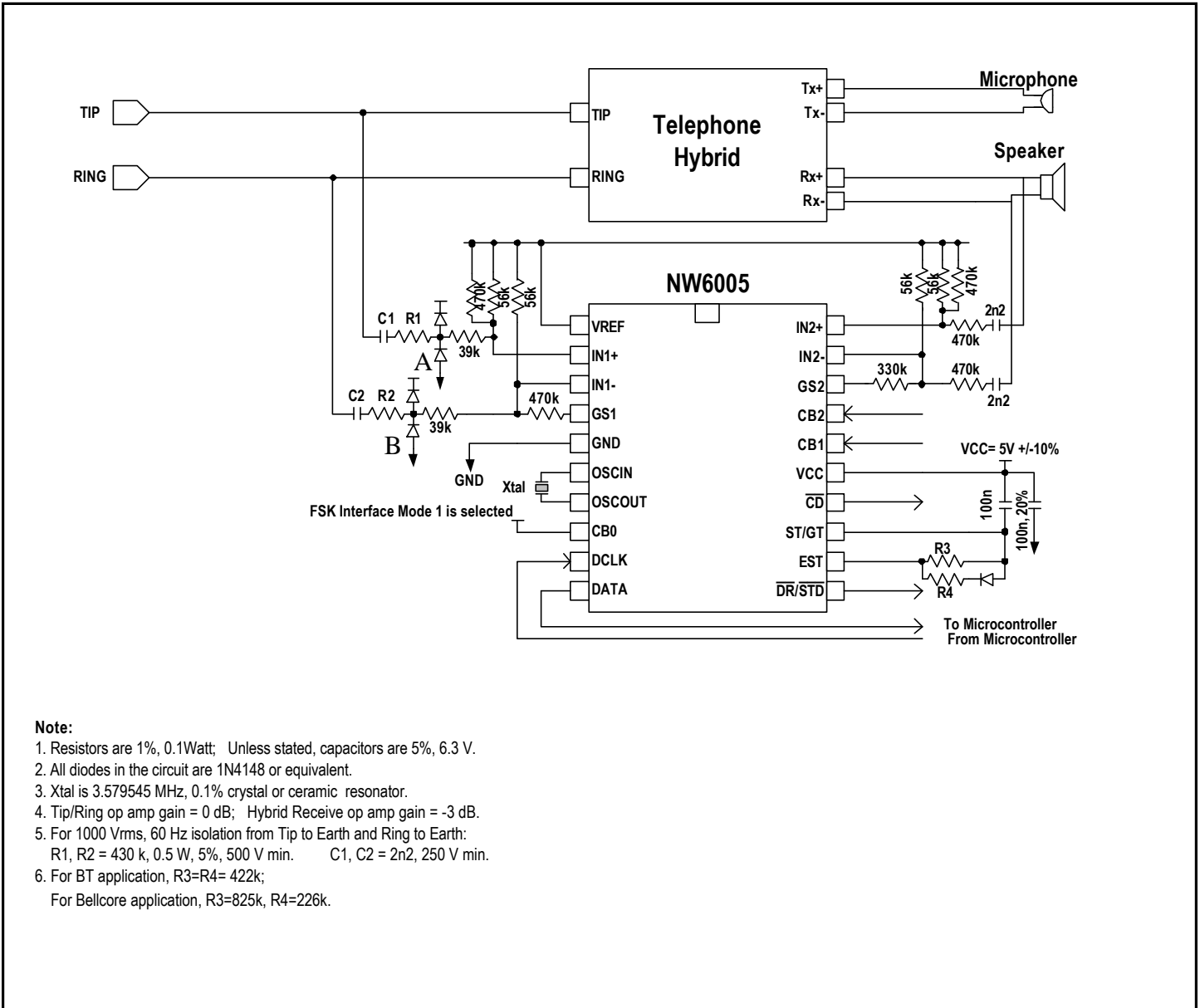
Ideally, the gain of the two Op Amps would be set to 0 dB. But in real applications, the gain setting should be determined by industry standards as well as by customer requirements. The circuit and calculation method of gain setting is illustrated in Figs. 3 and 4. For Hybrid connection, the single-ended solution (Fig. 4) is often selected.

Typically, the CAS sensitivity should be lower than the FSK sensitivity in order to prevent missing the FSK signal while the CAS signal is detected. Therefore, it is suggested to set the gain of the Op Amp for FSK demodulation 3 dB higher than that of the Op Amp for CAS detection.

THE DIFFERENCE BETWEEN FSK MODE 0 AND MODE1

In FSK mode 0, the FSK serial bit stream is output to the DATA pin directly. DCLK and DR pins are unused. The microcontroller reads out the data by the serial data interface which is implemented by software programming. The flexibility of using software improves the immunity to interference.

APPLICATION INFORMATION



Note:

1. Resistors are 1%, 0.1Watt; Unless stated, capacitors are 5%, 6.3 V.
2. All diodes in the circuit are 1N4148 or equivalent.
3. Xtal is 3.579545 MHz, 0.1% crystal or ceramic resonator.
4. Tip/Ring op amp gain = 0 dB; Hybrid Receive op amp gain = -3 dB.
5. For 1000 Vrms, 60 Hz isolation from Tip to Earth and Ring to Earth:
R1, R2 = 430 k, 0.5 W, 5%, 500 V min. C1, C2 = 2n2, 250 V min.
6. For BT application, R3=R4= 422k;
For Bellcore application, R3=825k, R4=226k.

Figure 9. Typical Application Circuit For Bellcore MEI Compatible Type II Telephone, 5 V Operation

In FSK mode 1, the received byte is stored in an on-chip register. The microcontroller supplies read pulses (DCLK) to shift the register contents serially out of the NW6005, onto the DATA pin. The \overline{DR} pin is also used to indicate the word boundary.

VALID DT-AS EVALUATION

DT-AS output will generate false detection if being interfered by speech. In this way, valid DT-AS pulse evaluation becomes necessary. The evaluation defines a minimum and maximum pulse duration, and maximum drop out time within that pulse duration. See Figure 21 for reference.

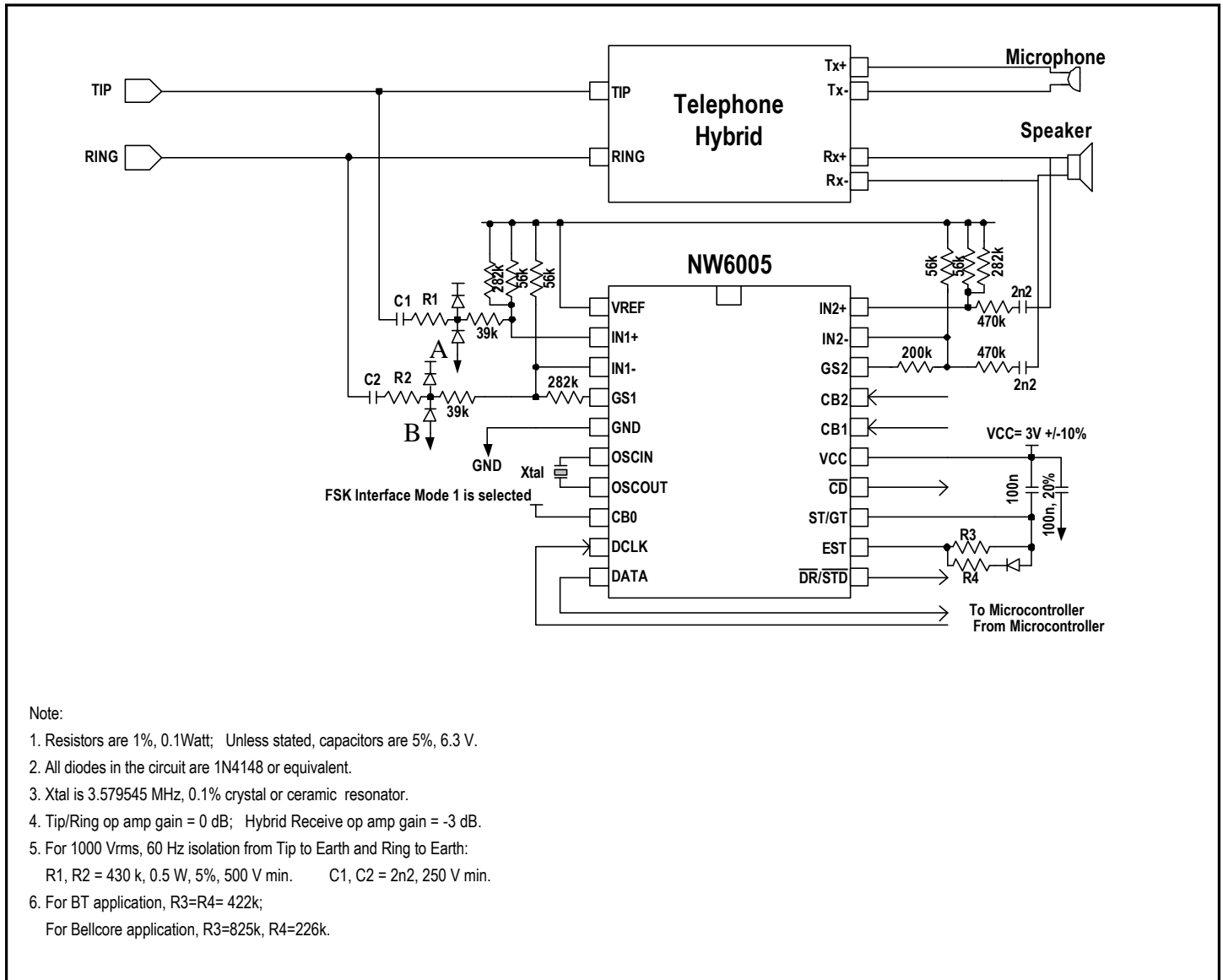


Figure 10. Typical Application Circuit For Bellcore MEI Compatible Type II Telephone, 3 V Operation

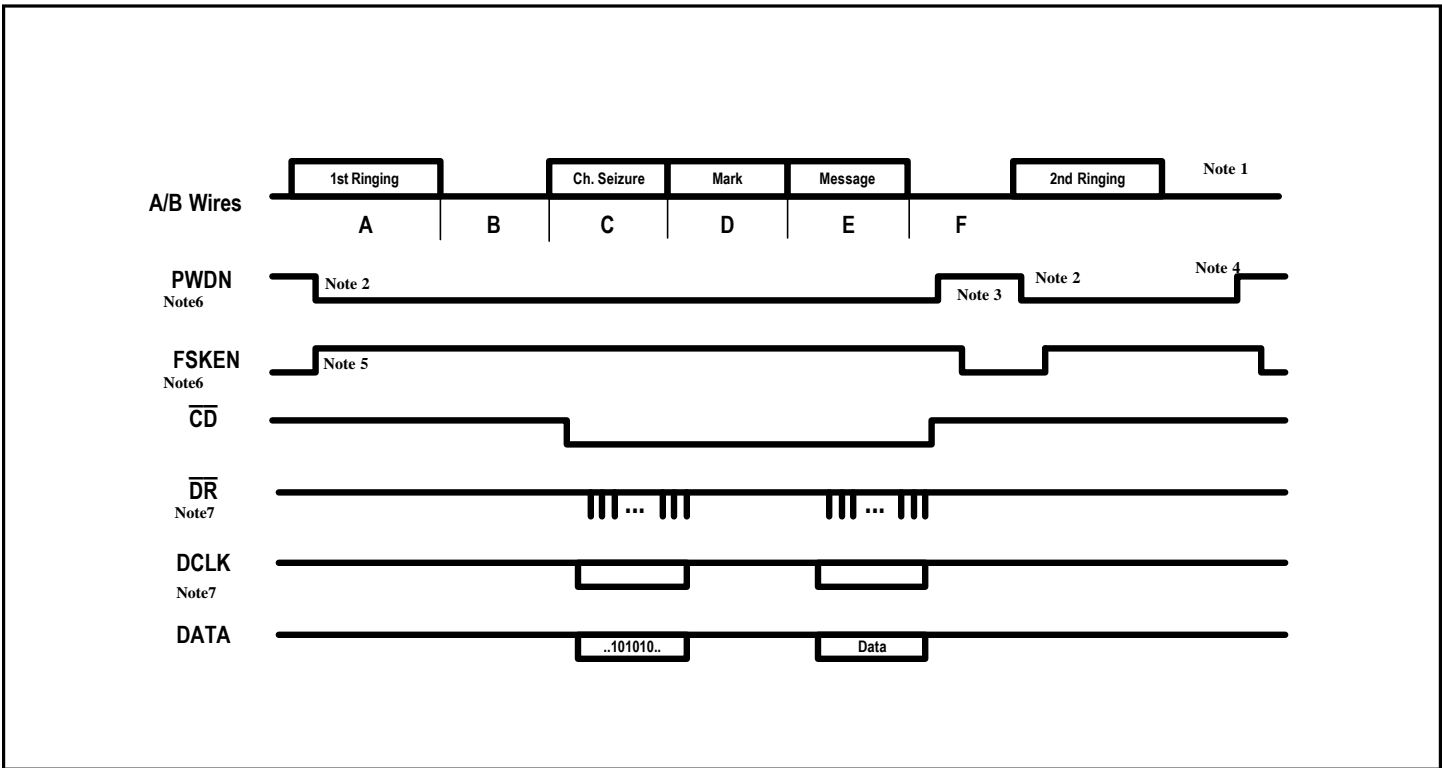


Figure 11. Bellcore On-hook Data Transmission Timing Diagram

Notes:

- 1) A= 2 sec typ., B= 250 - 500 ms, C= 250 ms, D= 150ms, E depends on data length, Max C+D+E = 2.9 - 3.7 sec, F ≥ 200 ms.
- 2) In a battery operated CPE, NW6005 may be enabled only after the end of ringing to conserve power.
- 3) The microcontroller in the CPE powers down the NW6005 after CD goes inactive.
- 4) The microcontroller times out if CD is not activated on the 2nd ring and puts the device into Power-down mode.
- 5) FSK may be always enabled while the CPE is on-hook. To prevent the FSK demodulator from reacting to other inband signals such as speech, DT-AS or DTMT tones. The designer may choose to disable FSK during the period that FSK signal is not expected.
- 6) PWDN and FSKEN are internal signals decoded from Control Bits CB2-0.
- 7) When CB0 is low, both DR and DCLK pins are unused.

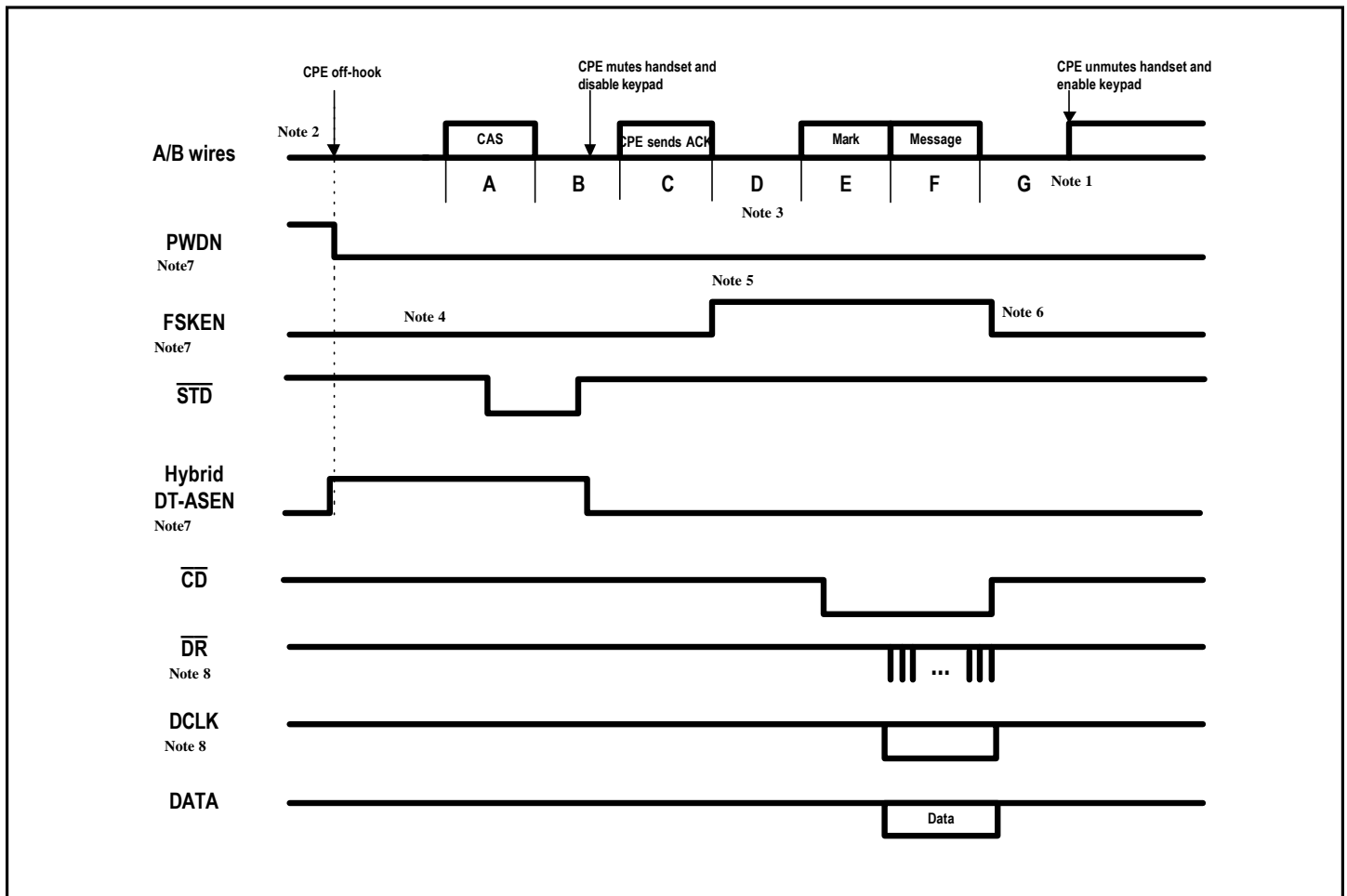


Figure 12. Bellcore Off-hook Data Transmission Timing Diagram

Notes:

- 1) A= 75 - 85 ms, B= 0 -100 ms, C= 55 - 65 ms, D= 0 - 500 ms, E= 58 - 75ms, F depends on data length, G≤ 50 ms.
- 2) If AC power is not available, the designer may use the line power when the CPE goes off-hook and use battery power while on-hook. The CPE should also be CID (on-hook) capable.
- 3) If the end office fails to send the FSK signal, the CPE should disable FSKEN and unmute the handset and enable the keypad after this interval.
- 4) When FSK signal is not expected, the FSKEN should be set low to disable the FSK demodulator.
- 5) FSKEN should be high as soon as the CPE has finished sending the acknowledgement signal ACK.
- 6) FSKEN should be low when CD become inactive.
- 7) PWDN, FSKEN and Hybrid DT-ASEN are internal signals decoded from Control Bits CB2-0.
- 8) When CB0 is low, both DR and DCLK pins are unused.

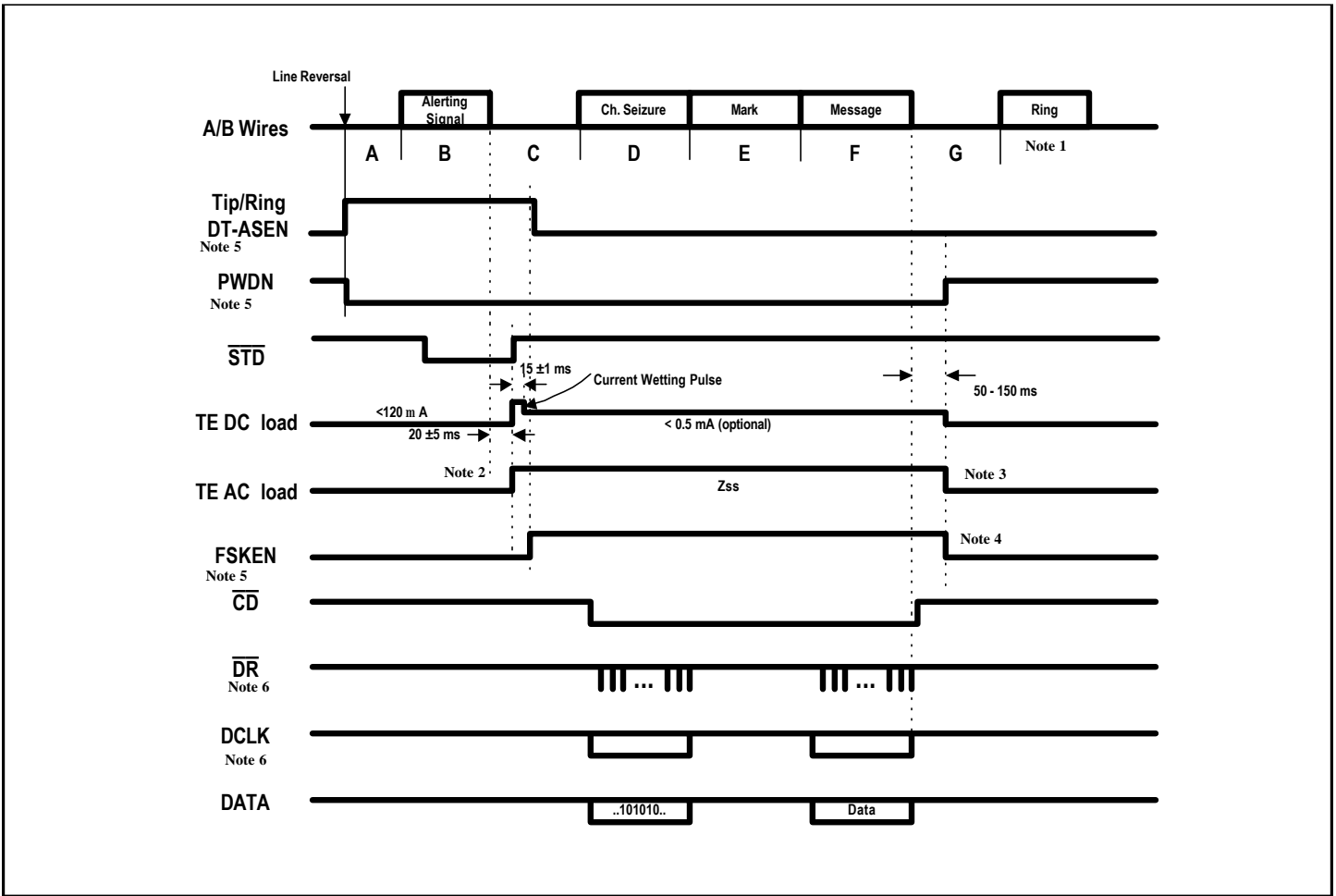


Figure 13. BT Idle State (on-hook) Data Transmission Timing Diagram

Notes:

- 1) $A \geq 100 \text{ ms}$, $B = 88 - 110 \text{ ms}$, $C \geq 45 \text{ ms}$ (up to 5 sec), $D = 80 - 262 \text{ ms}$, $E = 45 - 75 \text{ ms}$, $F \leq 2.5 \text{ sec}$ (typ. 500 ms), $G \geq 200 \text{ ms}$.
- 2) By choosing $t_{GA} = 15 \text{ ms}$, t_{ABS} will be 15-25 ms (refer to Fig. 8). Current wetting pulse and AC/DC load should be applied right after the STD rising edge.
- 3) AC and DC loads should be removed between 50-150 ms after the end of the FSK signal. The NW6005 may go to power down mode to save power.
- 4) FSKEN should be set low to disable the FSK demodulator, when the FSK signal is not expected.
- 5) Tip/Ring DT-ASEN, PWDN and FSKEN are internal signals decoded from Control Bits CB2-0.
- 6) When CB0 is low, both DR and DCLK pins are unused.

MAXIMUM RATING - Exceeding the following listed values may cause permanent damage.

Power Supply Voltage: -0.3 V to 6 V

Voltage on any pin other than supplies: GND - 0.3 V to VCC + 0.3 V

Current at any pin other than supplies: ≤ 10 mA

Storage Temperature: -65 °C to +150 °C

RECOMMENDED OPERATING CONDITIONS

Operating Temperature: -40 °C to +85 °C

Power Supply Voltage: 3 V \pm 10% or 5 V \pm 10%Clock Frequency: 3.579545 MHz \pm 0.1%

Input Voltage: 0 V to VCC

CRYSTAL SPECIFICATIONS

Frequency: 3.579545 MHz

Resonance tolerance: $\pm 0.1\%$ (-40°C to +85°C)

Resonance mode: Parallel

Load capacitance: 18 pF

Maximum series resistance: 150 Ω

Maximum drive level: 2 mW

DC ELECTRICAL CHARACTERISTICS

| Parameter | Pin | Description | Min | Typ | Max | Units | Test Conditions |
|-----------|--|--|------------------------|------------|------------|----------|-----------------|
| I_{CCS} | VCC | Power Supply Standby Current | | 0.5 | 15 | μ A | Test 1 |
| I_{CC} | | Operating Supply Current VCC = 5 V \pm 10% VCC = 3 V \pm 10% | | 2.5 1.8 | 3.8 2.7 | mA mA | Test 2 |
| V_{T+} | DCLK | Schmitt Trigger Input High Threshold | 0.5VCC | | 0.7VCC | V | |
| V_{T-} | | Schmitt Trigger Input Low Threshold | 0.3VCC | | 0.5VCC | V | |
| V_{HYS} | | Schmitt Hysteresis | 0.2 | | | V | |
| V_{IH} | CB0 CB1 | CMOS Input High Voltage | 0.7VCC | | VCC | V | |
| V_{IL} | | CB2 | CMOS Input Low Voltage | GND | | 0.3VCC | V |
| I_{OH} | <u>DCLK, DATA, EST</u> <u>$\overline{DR}/\overline{STD}$, \overline{CD}, $\overline{ST}/\overline{GT}$</u> | Output High Sourcing Current | -0.8 | | | mA | $V_{OH}=0.9VCC$ |

Test 1: All inputs are VCC/GND except for oscillator pins. No analog input. Output unloaded. NW6005 in power down mode.

Test 2: All inputs are VCC/GND except for oscillator pins. No analog input. Output unloaded. FSK is enabled.

DC ELECTRICAL CHARACTERISTICS (CONTINUED)

| Parameter | Pin | Description | Min | Typ | Max | Units | Test Conditions |
|------------------|--|---|-------------|-----|-------------|-------|--|
| I _{OL} | DCLK, DATA DR/STD, CD EST, ST/GT | Output Low Sinking Current | 2 | | | mA | V _{OL} = 0.1VCC |
| I _{IN1} | IN1+, IN1- IN2+, IN2- | Input Current | | | 1 | μA | V _{in} = VCC to GND |
| I _{IN2} | DCLK CB0, CB1, CB2 | Input Current | | | 10 | μA | |
| I _{OH1} | ST/GT | Output High Impedance Output Voltage | | | 5 | μA | V _{out} = VCC to GND No Load |
| V _{REF} | VREF | | 0.5VCC-0.1 | | 0.5VCC+0.1 | V | |
| R _{REF} | | Output Resistance | | | 2 | kΩ | |
| V _{TGT} | ST/GT | Comparator Threshold Voltage | 0.5VCC-0.05 | | 0.5VCC+0.05 | V | |

AC ELECTRICAL CHARACTERISTICS**Dual Tone Alert Signal Detection**

| Parameter | Description | Min | Typ | Max | Units | Notes |
|----------------|--|------|------|-----|-------|--|
| F _L | Low Tone Frequency | | 2130 | | Hz | Nominal frequency |
| F _H | High Tone Frequency | | 2750 | | Hz | Nominal frequency |
| FDA | Frequency Deviation Accept | 1.1% | | | | Within this range, tones are accepted. |
| FDR | Frequency Deviation Reject | 3.5% | | | | Outside this range, tones are rejected. |
| SIGAC | Accept Signal Level per tone | -40 | | -2 | dBV | Input op amp configured to 0 dB gain for 5 V operation, gain for 3 V operation is TBD. Signal level is per tone. |
| SIGRJ | Reject Signal Level per tone (VCC = 5 V ± 10%, 3 V ± 10%) | | | -47 | dBV | |
| TA | Positive and Negative Twist Accept # | | | 7 | dB | |
| SNR | Signal to Noise Ratio | 20 | | | dB | Both tones have the same amplitude and at nominal frequencies. Band limited random noise 300-3400 Hz. Measurement valid only when tone is present. |

Twist = 20 |log (f₊ amplitude / f₋ amplitude)|.

AC ELECTRICAL CHARACTERISTICS (CONTINUED)**Gain Adjustable Op Amp**

| Parameter | Description | Min | Typ | Max | Units | Test Conditions |
|-----------|------------------------------|-----|-----|-----------|-----------|--|
| I_{IN} | Input Leakage Current | | | 1 | μA | $GND \leq V_{IN} \leq VCC$ |
| R_{IN} | Input Resistance | 10 | | | $M\Omega$ | |
| V_{OS} | Input Offset Voltage | | | 10 | mV | |
| PSRR | Power Supply Rejection Ratio | 40 | | | dB | 1kHz ripple on VCC |
| CMRR | Common Mode Rejection | 30 | | | dB | $V_{CMmin} \leq V_{IN} \leq V_{CMmax}$ |
| A_{VOL} | DC Open Loop Voltage Gain | 50 | | | dB | |
| f_c | Unity Gain Bandwidth | 0.3 | | | MHz | |
| V_o | Output Voltage Swing | 0.5 | | VCC - 0.5 | V | Load $\geq 100 k\Omega$ |
| C_L | Maximum Capacitive Load (GS) | | | 50 | pF | |
| R_L | Maximum Resistive Load (GS) | 100 | | | $k\Omega$ | |
| V_{CM} | Common Mode Range Voltage | 1.0 | | VCC - 1.0 | | |

FSK Detection

| Parameter | Description | Min | Typ | Max | Units | Notes |
|-----------|--|--------|------|--------|-------|--|
| ID | Input Detection Level | -40 | | -6.45 | dBV | Production tested at VCC = 3V \pm 10%, or 5V \pm 10%. Both mark and space have the same amplitude. |
| RS | Reject Signal Level | | | -48 | dBV | |
| TR | Transmission Rate | 1188 | 1200 | 1212 | baud | |
| FMARK | Input Frequency Detection Bell 202 '1' (mark) | 1188 | 1200 | 1212 | Hz | |
| FSPACE | Input Frequency Detection Bell 202 '0' (space) | 2178 | 2200 | 2222 | Hz | |
| FMARK | Input Frequency Detection ITU-T V.23 '1' (mark) | 1280.5 | 1300 | 1319.5 | Hz | |
| FSPACE | Input Frequency Detection ITU-T V.23 0 (space) | 2068.5 | 2100 | 2131.5 | Hz | |
| TA | Positive and Negative Twist Accept * | -10 | | 10 | dB | |
| SNR | Signal to Noise Ratio | 20 | | | dB | Both mark and space have the same amplitude and at nominal frequencies. Band limited random noise: 200-3400 Hz. Present only when FSK signal is present. # |

* Twist = 20 |log (f_H amplitude / f_L amplitude)|.

BT band is 200-3400 Hz, while Bellcore band is 0-4 kHz.

Notes:

dBV = decibels above or below a reference voltage of 1 Vrms.

AC TIMING CHARACTERISTICS

Power Up/Down and FSK Detection

| Parameter | Description | Min | Typ | Max | Units | Test Conditions |
|-----------|---|-----|-----|-----|-------|-----------------|
| t1 | Power Up Time | | | 50 | ms | |
| t2 | Power Down Time | | | 1 | ms | |
| t3 | Input FSK to \overline{CD} low delay | | | 25 | ms | |
| t4 | Input FSK to \overline{CD} high delay | 10 | | | ms | |
| t5 | Hysteresis | 10 | | | ms | |

Dual Tone Alert Signal

| Parameter | Description | Min | Typ | Max | Units | Test Conditions |
|-----------|----------------------------------|-----|-----|-----|-------|-----------------|
| t6 | Alert Signal Present Detect Time | 4 | | 14 | ms | |
| t7 | Alert Signal Absent Detect Time | 0.1 | | 8 | ms | |

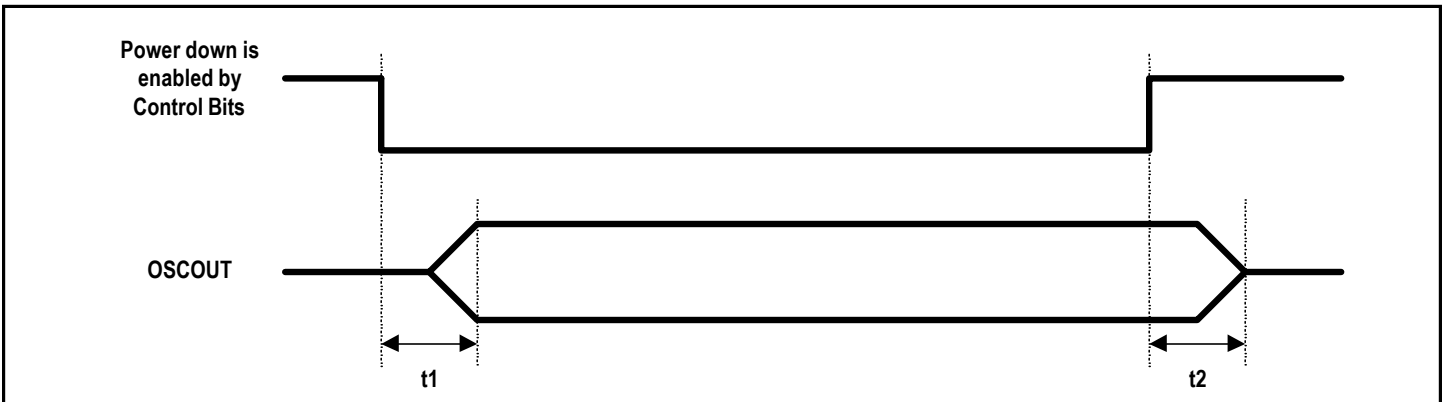


Figure 14. Power Up/Down Timing

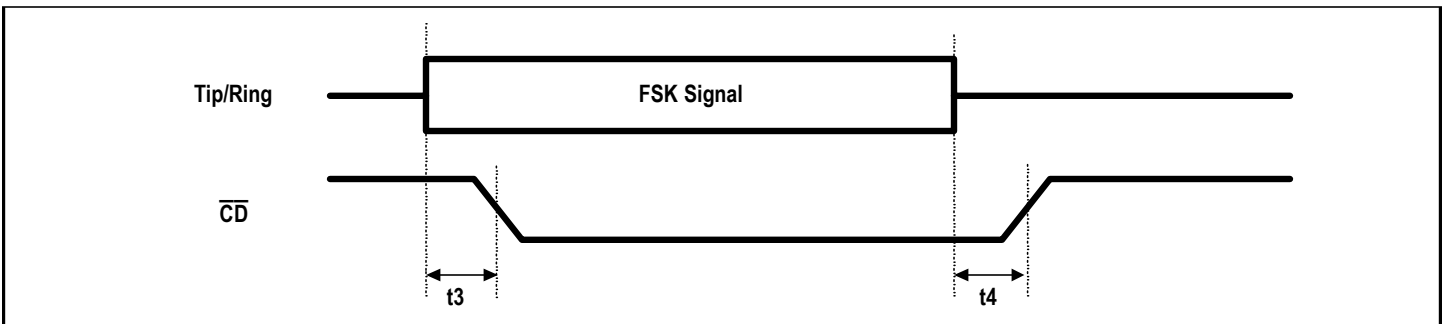


Figure 15. FSK Detection Time

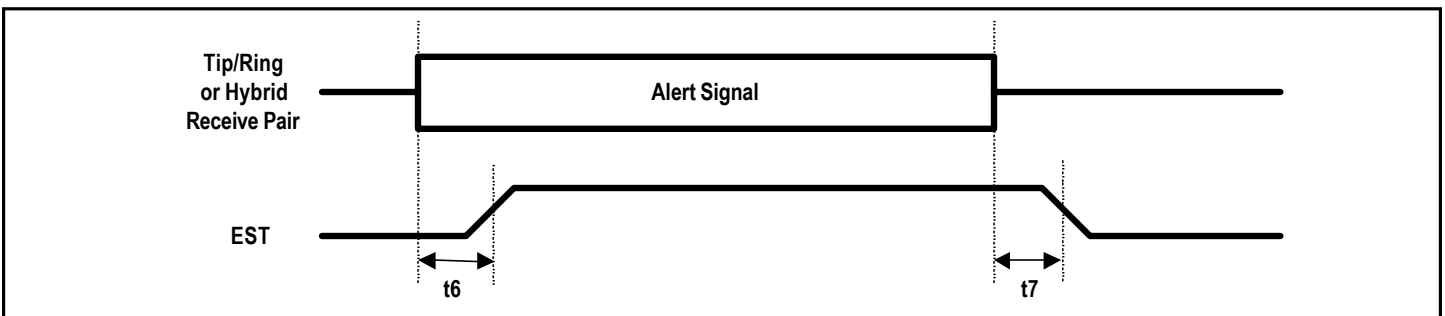


Figure 16. Dual Tone Alert Signal Detection Time

AC TIMING CHARACTERISTICS (CONTINUED)

Serial Interface (Mode '1')

| Parameter | Description | Min | Typ | Max | Units | Test Conditions |
|-----------|--|-----|-----|-----|-------|-----------------|
| t11 | DCLK Cycle Time | 1 | | | μs | |
| t12 | DCLK High Time | 0.3 | | | μs | |
| t13 | DCLK Low Time | 0.3 | | | μs | |
| t14 | DCLK Rise Time | | | 100 | ns | |
| t15 | DCLK Fall Time | | | 100 | ns | |
| t16 | DCLK Low Setup to \overline{DR} | 500 | | | ns | |
| t17 | DCLK Low Hold Time after \overline{DR} | 500 | | | ns | |

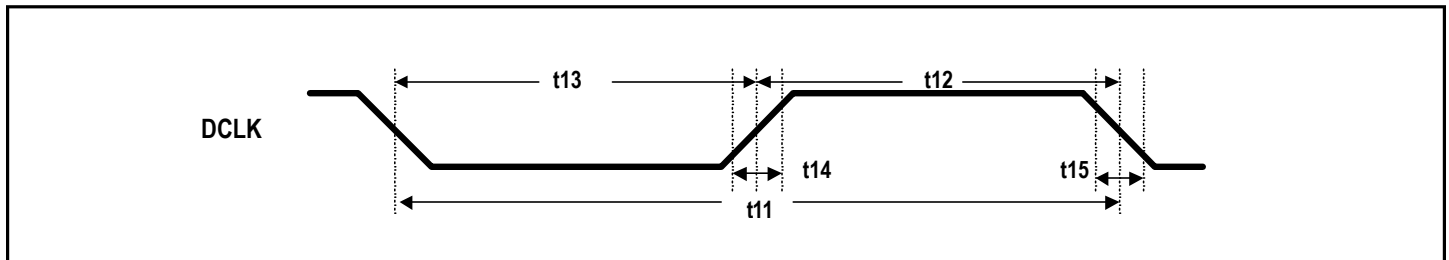


Figure 17. DCLK Timing in Mode '1'

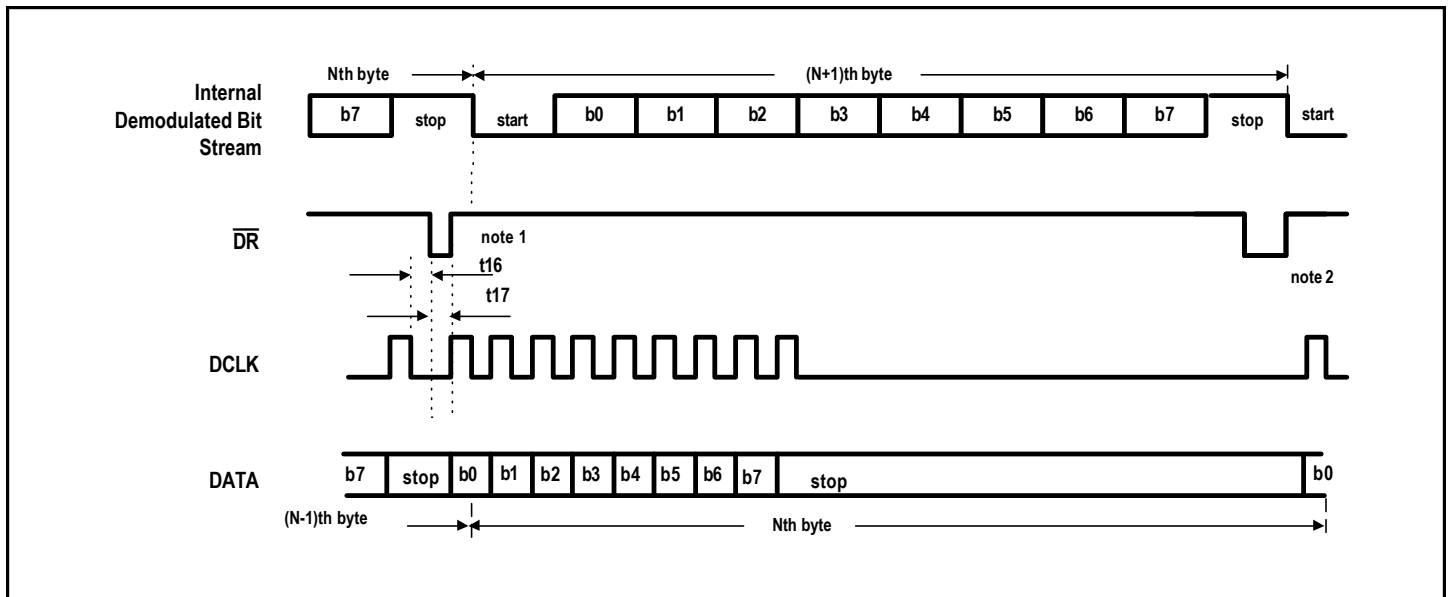


Figure 18. Serial Data Interface Timing in MODE '1'

Notes:

1. DCLK clears \overline{DR} .
2. \overline{DR} not cleared by DCLK, low for a maximum time of 1/2 bit width.

Serial Interface (Mode '0')

| Parameter | Description | Min | Typ | Max | Units | Test Conditions |
|-----------|-------------------------|------|------|------|-------|-----------------|
| DR | Data Rate | 1188 | 1200 | 1212 | baud | 1 |
| t21 | Input FSK to DATA Delay | | 1 | 5 | ms | |
| t22 | DATA Rise Time | | | 200 | ns | 2 |
| t23 | DATA Fall Time | | | 200 | ns | 2 |

Test conditions:

1. FSK input data at 1200 ± 12 baud.
2. Load of 50 pF.

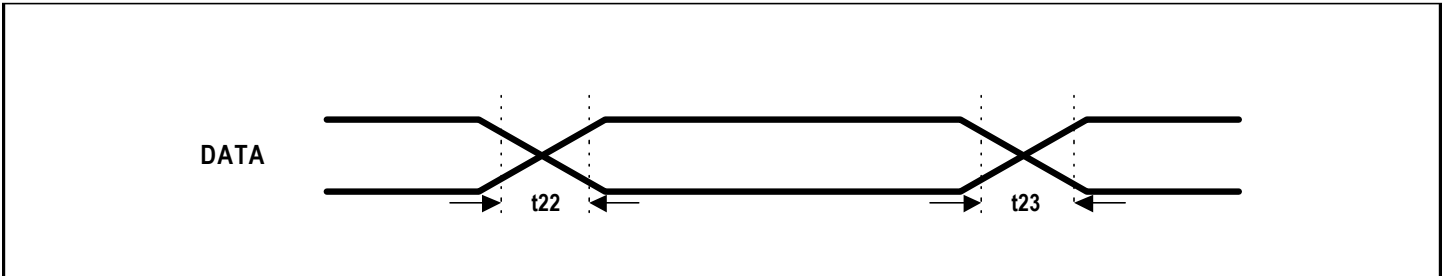


Figure 19. DATA Output Timing in Mode '0'

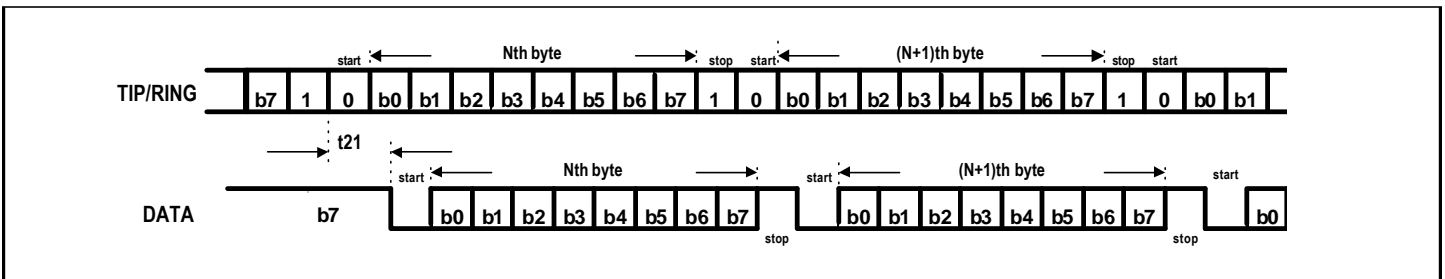


Figure 20. Serial Data Interface Timing in MODE '0'

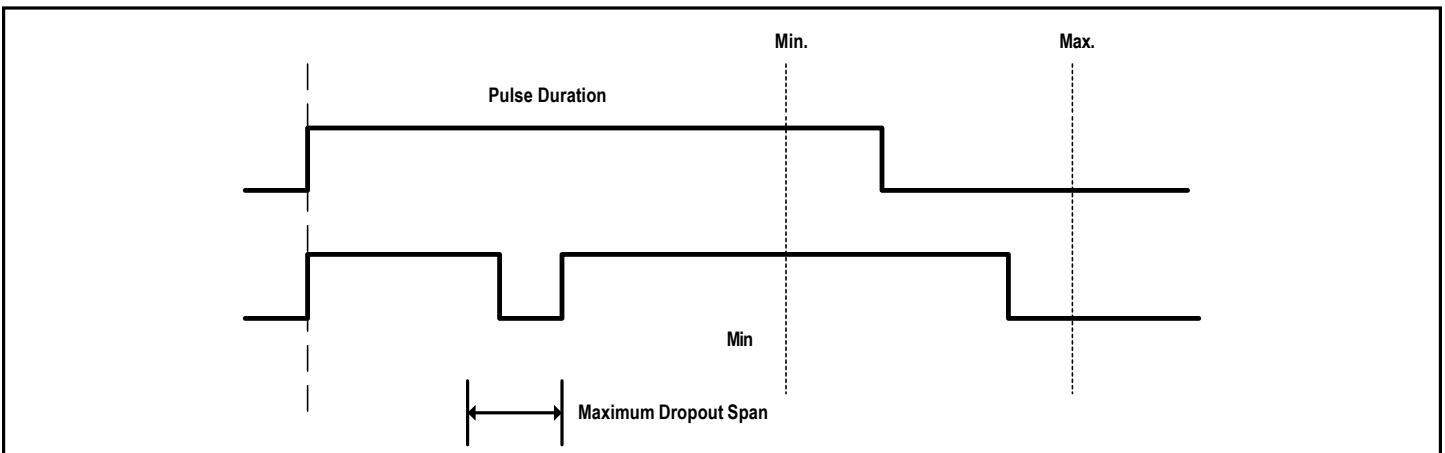
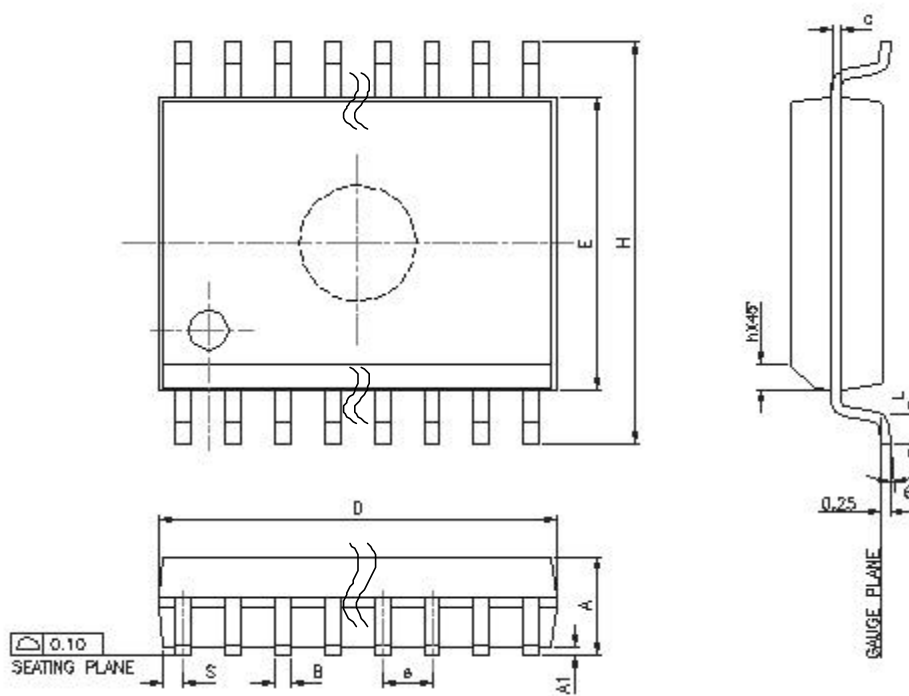


Figure 21. Valid DT-AS Pulses

PHYSICAL DIMENSIONS in Millimeters



| Symbol | Dimension in MM | | Dimension in Inch | |
|--------|-----------------|-------|-------------------|-------|
| | Min | Max | Min | Max |
| A | 2.35 | 2.65 | 0.093 | 0.104 |
| A1 | 0.10 | 0.30 | 0.004 | 0.012 |
| B | 0.33 | 0.51 | 0.013 | 0.020 |
| C | 0.23 | 0.32 | 0.009 | 0.013 |
| E | 7.40 | 7.60 | 0.291 | 0.299 |
| e | 1.27 BSC | | 0.050 BSC | |
| H | 10.00 | 10.65 | 0.394 | 0.419 |
| h | 0.25 | 0.75 | 0.010 | 0.029 |
| L | 0.40 | 1.27 | 0.016 | 0.050 |
| θ | 0 | 8 | 0 | 8 |
| D | 12.60 | 13.00 | - | - |

Figure 21. NW6005-XS 20 Pin SOIC Package Diagram



CORPORATE HEADQUARTERS
 2975 Stender Way
 Santa Clara, CA 95054

for SALES:
 800-345-7015 or 408-727-6116
 fax: 408-492-8674
 www.idt.com

for Tech Support:
 408-330-1753
 email: telecomhelp@idt.com