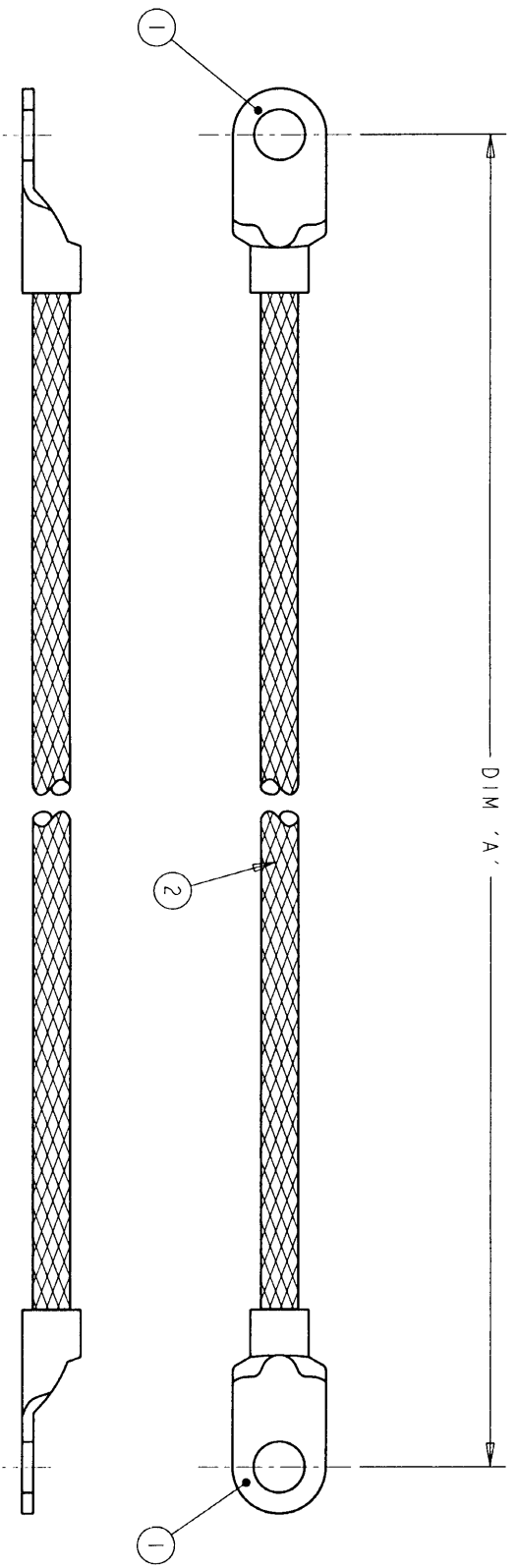


ITEM NO	PART NUMBER	DESCRIPTION	QTY / ASSY
1	321827-0	SOLISTRAND RING TONGUE / 14-12 AWG	2
2	1337713-3	METTEX BRAIDED CABLE - 2.26mm ²	A/R

P	LTR	DESCRIPTION	DATE	DWN	APVD
1		FIRST ISSUE	02JAN01	RC	JJ

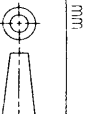


353 2902 / 2914 / 2926

200 ±5	1337668-3
150 ±5	1337668-2
100 ±5	1337668-1
DIM 'A'	TYCO PART NUMBER

THIS DRAWING IS CONTROLLED DOCUMENT FOR THE ELECTRONICS CORPORATION
 IT IS SUBJECT TO CHANGE WITHOUT NOTICE AND SHOULD BE CHECKED FOR THE LATEST REVISION

DIMENSIONS:	TOLERANCES UNLESS OTHERWISE SPECIFIED:
MM	±.1
	±0.1
	±0.01
	±0.001
	±0.0001



PLC	FINISH
0 PLC	±.1
1 PLC	±0.1
2 PLC	±0.01
3 PLC	±0.001
4 PLC	±0.0001

DRAWN	DATE
DWN	02JAN2001
CHK	R. CHURCHILL
APPD	D. CHICK 02JAN2001
PRODUCT SPEC	JEFFREY
APPLICATION SPEC	
WEIGHT	
CUSTOMER DRAWING	

tyco
Electronics
 AMP of Great Britain Ltd
 Stonmore, Middlesex, HA1 4RS

NAME	2.26mm CSA BRAID M8-M8
SIZE	A3
CAGE CODE	00779
DRAWING NO	1337668
RESTRICTED TO	

SCALE	SHEET	OF	REV
NTS	1	1	