

Models 6869-180, 6869-300
XLR Plug / Jack (3-pin) Cable 15 feet, 25 feet



Model 6869-180*, -300*: XLR Plug/Jack Cable 15 feet, 25 feet

*Length of cable only.

Connect your audio applications

Features

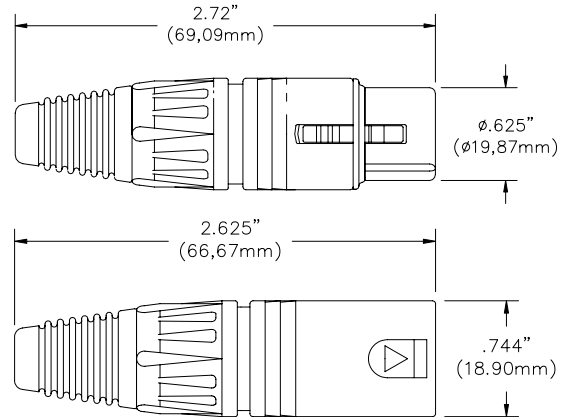
- Audio cable includes 3-pin male and female connectors.
- Black streamlined profile with compact shell. Rugged construction.
- Flexible and soft low-noise cable.

Materials

- XLR connector bodies are die-cast zinc alloy with tarnish resistant black-nickel finish.
- Strain relief clamp designed for durability: POM (Polyoxymethylene).
- Contacts are gold-plated brass.
- Cable is made of soft PVC low-noise microphone cable.

Ordering Information

Model: 6869-180, 6869-300



Specifications

Cable Type	Soft PVC low noise microphone cable.
Cable Lengths	6869-180: 180 in (15 ft or 4.572 meters) 6869-300: 300 in (25 ft or 7.62 meters)
Cable O.D.	6.0 mm (0.24 in)

USA: Sales: 800-490-2361 Technical Support: 800-241-2060 Fax: 888-403-3360

Europe: 31-(0) 40 2675 150 **International:** 425-446-5500

e-mail: technicalsupport@pomonatest.com

Where to Buy: www.pomonaelectronics.com

All dimensions are in inches. Tolerances (except noted): .xx = ±.02" (.51 mm), .xxx = ±.005" (.127 mm). All specifications are to the latest revisions. Specifications are subject to change without notice. Registered trademarks are the property of their respective companies.