



ALUMINUM CAPACITORS

095 PLL-4TSI



Long-Life 4-Terminal Snap-In Aluminum Power Capacitors

KEY BENEFITS

- Up to 450 V available
- Case sizes larger than standard snap-in, 35 x 50 mm up to 45 x 100 mm
- 4-terminal snap-in for stable mounting on PC board
- Very long useful life: 10 000 hours at 85 °C
- Low ESR, high ripple current capability

APPLICATIONS

- Solar systems
- Uninterruptible power supplies (UPS)
- Motor drives
- Wind energy systems

Aluminum Capacitors Power Long Life 4 Terminal Snap-In

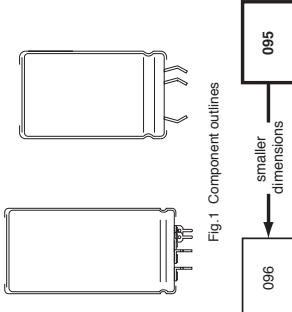


Fig.1 Component outlines

DESCRIPTION	VALUE
Nominal case size (D x L in mm)	35 x 50 to 45 x 100
Rated capacitance range C _R	390 µF to 2200 µF ± 20 %
Tolerance on C _R	
Rated voltage range, U _R	350 V to 450 V
Category temperature range	-40 °C to + 85 °C
Endurance test at 85 °C	3000 hours
Useful life at 40 °C, 1.4 x I _R applied	10 000 hours
Useful life at 85 °C	400 000 hours
Shelf life at 0 V, 85 °C	1000 hours
Based on sectional specification	IEC 60384-4/EN130300
Climatic category IEC 60 068	40/085/56

500 V available on request!

FEATURES

- Polarized aluminum electrolytic capacitors, non-solid electrolyte
- Large types, minimized dimensions, cylindrical aluminum case, insulated with a blue sleeve
- Pressure relief on the side of the aluminum case
- Very long useful life: 10 000 hours at 85 °C
- Temperature range up to 85 °C
- Keyst polarity
- Low ESR, high ripple current capability

APPLICATIONS

- Telecommunication and industrial systems
- Smoothing and filtering applications
- Switched mode power supplies
- Renewable energy power converters
- Energy storage in pulse systems
- For excellent mounting stability

MARKING

- The capacitors are marked (where possible) with the following information:
- Rated capacitance (in µF)
 - Tolerance code on rated capacitance, code letter in accordance with IEC 60062 (M for ± 20 %)
 - Rated voltage (in V)
 - Date code (YYMM)
 - Name of manufacturer
 - Code for factory of origin
 - '-' sign to identify the negative terminal, visible from the top
 - Code number
 - Climatic category in accordance with IEC 60068



RoHS COMPLIANT

FEATURES

- Polarized aluminum electrolytic capacitors, non-solid electrolyte
- Large types, minimized dimensions, cylindrical aluminum case, insulated with a blue sleeve
- Pressure relief on the side of the aluminum case
- Very long useful life: 10 000 hours at 85 °C
- Temperature range up to 85 °C
- Keyst polarity
- Low ESR, high ripple current capability

APPLICATIONS

- Telecommunication and industrial systems
- Smoothing and filtering applications
- Switched mode power supplies
- Renewable energy power converters
- Energy storage in pulse systems
- For excellent mounting stability

MARKING

- The capacitors are marked (where possible) with the following information:
- Rated capacitance (in µF)
 - Tolerance code on rated capacitance, code letter in accordance with IEC 60062 (M for ± 20 %)
 - Rated voltage (in V)
 - Date code (YYMM)
 - Name of manufacturer
 - Code for factory of origin
 - '-' sign to identify the negative terminal, visible from the top
 - Code number
 - Climatic category in accordance with IEC 60068

SELECTION CHART FOR C _R , U _R AND RELEVANT NOMINAL CASE SIZES (∅ D x L in mm)			
C _R (µF)	350	400	450
1000	35 x 80 40 x 60 45 x 50	35 x 100 40 x 70 45 x 60	40 x 100 45 x 70
1500	40 x 80 45 x 70	40 x 100 45 x 80	45 x 100
1800	40 x 100	45 x 100	-
2200	45 x 100	-	-

DIMENSIONS in millimeters AND AVAILABLE FORMS

PRINTED WIRING

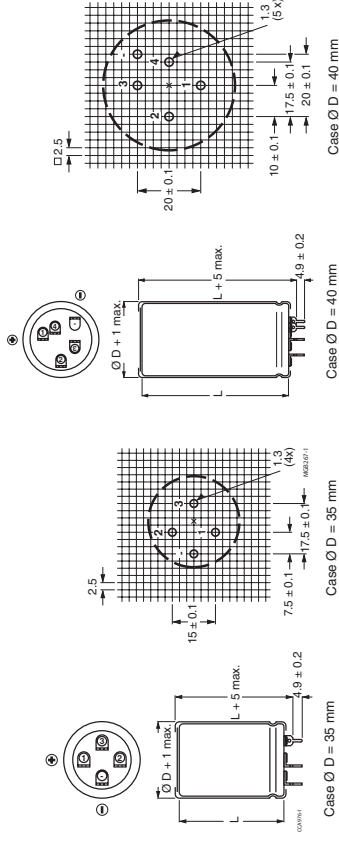


Fig.2 Printed wiring pin version

Fig.3 Mounting hole diagram viewed from component side

Fig.4 Printed wiring pin version

Fig.5 Mounting hole diagram viewed from component side

FOUR TERMINAL SNAP-IN

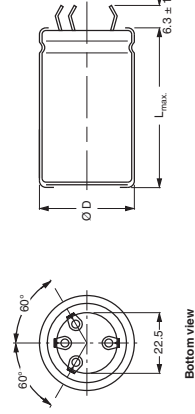


Fig.6 4-Terminal Snap-in

Dummy terminals (A and C) must be free from the electrical circuit

Fig.7 Mounting hole diagram

Revision 16-Jun-09

SELECTION CHART FOR C _R , U _R AND RELEVANT NOMINAL CASE SIZES (∅ D x L in mm)				
C _R (µF)	350	400	420	450
390	-	-	-	35 x 50 40 x 40
470	35 x 50 40 x 40	35 x 50 40 x 40	35 x 60 40 x 50 45 x 40	35 x 60 40 x 50 45 x 40
560	35 x 50	35 x 60 45 x 40	35 x 60 40 x 60	35 x 70 40 x 60
680	35 x 60 40 x 50	35 x 70 40 x 60 45 x 50	35 x 80 40 x 60 45 x 50	35 x 80 40 x 60 45 x 50
820	35 x 70 40 x 60	35 x 80 40 x 70	35 x 80 40 x 70 45 x 50	40 x 70 45 x 60

DISCLAIMER All product specifications and data are subject to change without notice. Vishay Intertechnology, Inc., its affiliates, agents, and employees, and all persons acting on its or their behalf (collectively, "Vishay"), disclaim any and all liability for any errors, inaccuracies or incompleteness contained herein or in any other disclosure relating to any product. Vishay disclaims any and all liability arising out of the use or application of any product described herein or any information provided herein to the maximum extent permitted by law. The product specifications do not expand or otherwise modify Vishay's terms and conditions of purchase, including but not limited to the warranty expressed herein, which apply to these products. No license, express or implied, by estoppel or otherwise, to any intellectual property rights is granted by this document or by any conduct of Vishay. The products shown herein are not designed for use in medical, life-saving, or life-sustaining applications unless otherwise expressly indicated. Customers using or selling Vishay products not expressly indicated for use in such applications do so entirely at their own risk and agree to fully indemnify Vishay for any damages arising or resulting from such use or sale. Please contact authorized Vishay personnel in writing before using any products in such applications. Product names and markings noted herein may be trademarks of their respective owners.

For technical questions, contact aluminumcaps2@vishay.com

Build Vishay into your Design