

**PLEASE CHECK WWW.MOLEX.COM FOR LATEST PART INFORMATION**

**Part Number:** [0850520206](#)  
**Status:** **Active**  
**Overview:** [din\\_41612](#)  
**Description:** 2.54mm (.100") Pitch DIN 41612 Receptacle, Style R Reverse, 32 Circuits

**Documents:**

[3D Model](#) [RoHS Certificate of Compliance \(PDF\)](#)  
[Drawing \(PDF\)](#)

**Agency Certification**

CSA LR19980  
 UL E29179

**General**

Product Family Backplane Connectors  
 Series [85052](#)  
 Application Backplane  
 Component Type PCB Receptacle  
 Overview [din\\_41612](#)  
 Product Name IEC 603-2/DIN 41612  
 Style R

**Physical**

Circuits (Loaded) 32  
 Circuits (maximum) 96  
 Durability (mating cycles max) 400  
 First Mate / Last Break No  
 Flammability 94V-0  
 Guide to Mating Part No  
 Keying to Mating Part Yes  
 Number of Columns 32  
 Number of Pairs Open Pin Field  
 Number of Rows 3  
 Orientation Right Angle  
 PC Tail Length (in) 0.110 In  
 PC Tail Length (mm) 2.80 mm  
 PCB Locator No  
 PCB Retention Yes  
 PCB Thickness Recommended (in) 0.063 In, 0.126 In  
 PCB Thickness Recommended (mm) 1.60 mm, 3.20 mm  
 Packaging Type Tray  
 Pitch - Mating Interface (in) 0.100 In  
 Pitch - Mating Interface (mm) 2.54 mm  
 Pitch - Term. Interface (in) 0.100 In  
 Pitch - Term. Interface (mm) 2.54 mm  
 Polarized to PCB Yes  
 Stackable No  
 Surface Mount Compatible (SMC) No  
 Temperature Range - Operating -55°C to +125°C  
 Termination Interface: Style Through Hole

**Electrical**

Current - Maximum per Contact 2.5A  
 Data Rate 622.0 Mbps  
 Real Signals (per 25mm) 30  
 Voltage - Maximum 250V AC (RMS)

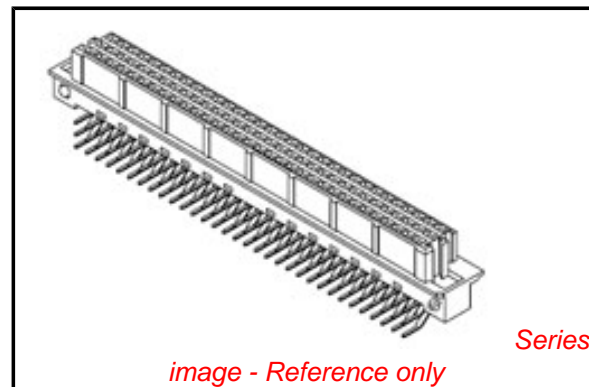


image - Reference only

**EU RoHS**

**ELV and RoHS  
 Compliant**  
**REACH SVHC**  
 Not Reviewed  
**Halogen-Free  
 Status**  
**Not Reviewed**

**China RoHS**



**Need more information on product  
 environmental compliance?**

Email [productcompliance@molex.com](mailto:productcompliance@molex.com)  
 For a multiple part number RoHS Certificate of  
 Compliance, [click here](#)

Please visit the [Contact Us](#) section for any  
 non-product compliance questions.

**Search Parts in this Series**

[85052Series](#)

**Mates With**

DIN 41612 Headers [85003](#) , [85013](#)

**Material Info**

**Reference - Drawing Numbers**

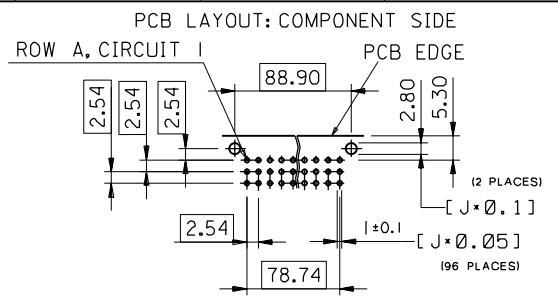
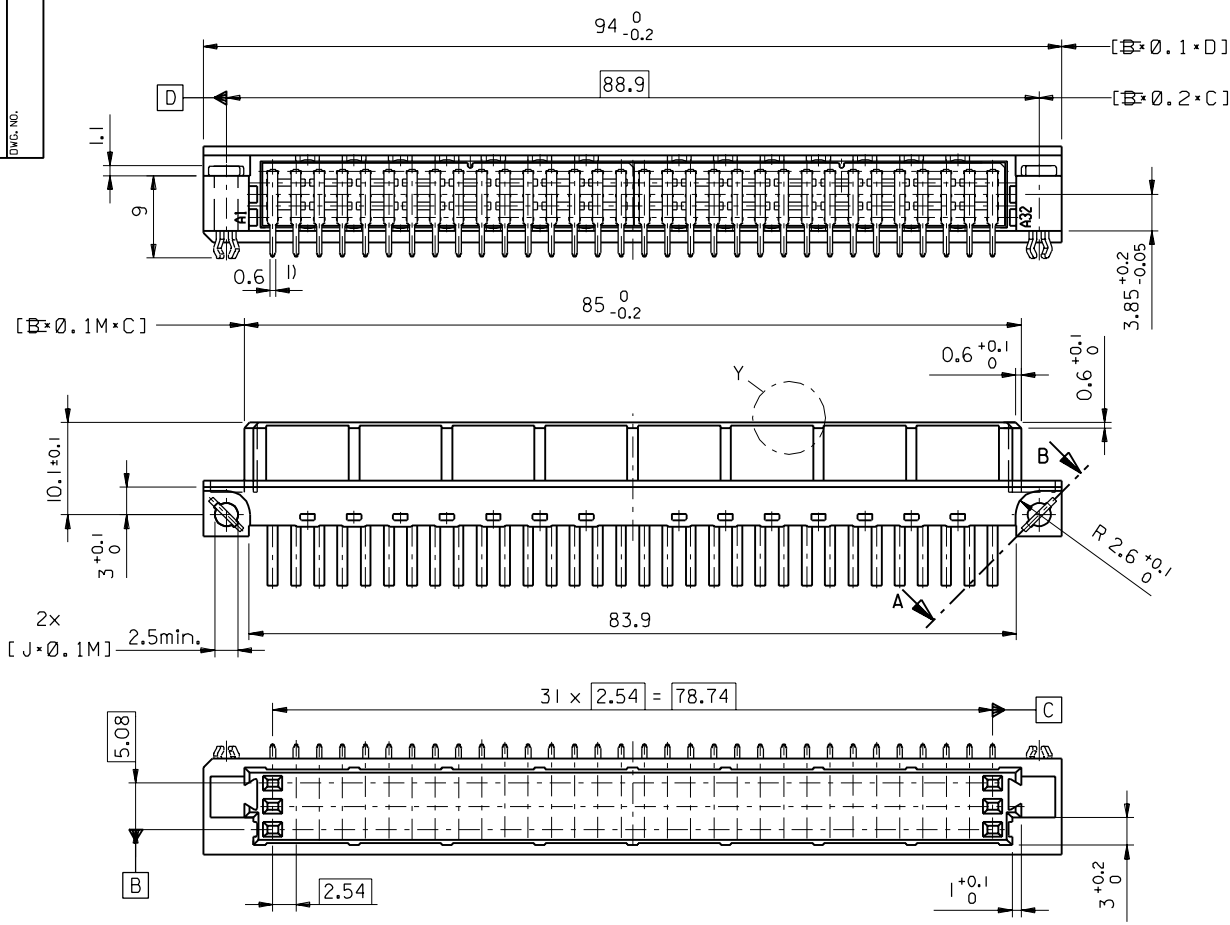
Sales Drawing

SDA-85052-0001, SDA-85052-0206

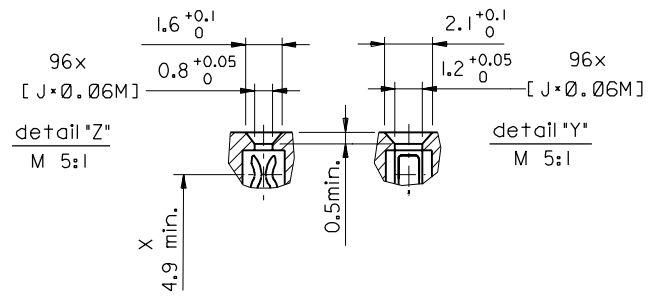
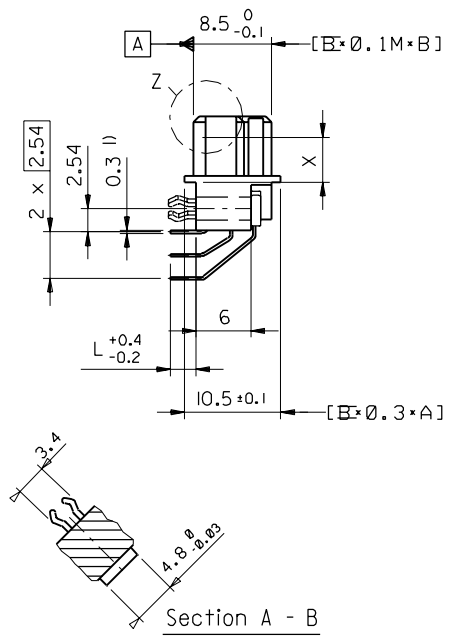
This document was generated on 05/17/2010

**PLEASE CHECK [WWW.MOLEX.COM](http://WWW.MOLEX.COM) FOR LATEST PART INFORMATION**

PART NO.  
DWG. NO.



1) tails to fit in PC-board layout



FIRST ANGLE PROJECTION

DRWG BY	KN
CHK'D BY	Ca
APP'D BY	JB
SCALE	2:1

UNLESS OTHERWISE SPECIFIED TOLERANCES: ANGULAR ±2°

PLACE	±	±
3 PLACE	±	±
2 PLACE	±	±
1 PLACE	±	±

DRAFT WHERE APPLICABLE MUST REMAIN WITHIN DIMENSIONS

DESIGN DIMENSION	<input checked="" type="checkbox"/> MM
	<input type="checkbox"/> IN.
EQUIVALENT DIMENSION	<input type="checkbox"/> MM
	<input type="checkbox"/> IN.

IF TWO DIMENSIONS ARE SHOWN THE UPPER IS THE DESIGN DIMENSION, LOWER IS SECONDARY

2	B1
SH.	REV.
CAD/CAM PROJECT NAME 85052000 611	
THIS DRAWING CONTAINS INFORMATION THAT IS PROPRIETARY TO MOLEX INC. & SHOULD NOT BE USED WITHOUT WRITTEN PERMISSION	
TITLE 96 pos. female connector DIN 41612 style R + clip Dimensions	
MOLEX MOLEX EUROPE	
SHEET NO. DATE 1 OF 2 96/04/25	
PART NO.	DWG NO.
SDA-85052-0001	SDA-85052-0001
SIZE	B

VIEW ON MATING SIDE

⌋	C	C	C	C	C	C	C	C	C	C	C	C	C	C	C	C
⌋																
⌋	A	A	A	A	A	A	A	A	A	A	A	A	A	A	A	A

A = 16 CONTACTS L=2,8

C = 16 CONTACTS L=2,8

S = 32 TOTAL NUMBER OF CONTACTS

Marking	Standard
Performance level	G2/0 = Contact area level2 / Termination tin
Flux proof	no
Fixing clip	no
Dimensions	SDA-85052-0001 sht.1
TechnicalData	PS-85052-0001

C	G2/0	c2,4,6...32	
A	G2/0	a2,4,6...32	
Contact symbol	Perform. level	Contact position number	

first release see ECN No. 2249	REVISIONS		FOR PREVIOUS REVISIONS SEE MRI LIST
▷	LTR		

UNLESS OTHERWISE SPECIFIED TOLERANCES: ANGULAR ±2°	DRWG BY KN	SIGN	
3 PLACE ± . INCH METRIC	CHK'D BY TB	SIGN	
2 PLACE ± . INCH METRIC	APP'D BY	SIGN	
1 PLACE ± . INCH METRIC			
DRAFT WHERE APPLICABLE MUST REMAIN WITHIN DIMENSIONS			
DESIGN DIMENSION	<input type="checkbox"/> MM <input type="checkbox"/> IN.		
EQUIVALENT DIMENSION	<input type="checkbox"/> MM <input type="checkbox"/> IN.		
IF TWO DIMENSIONS ARE SHOWN, THE UPPER IS THE DESIGN DIMENSION, LOWER IS SECONDARY			

REVISE ONLY ON CAD SYSTEM		SH. REV.
CAD/CAM PROJECT NAME S8505202 SO1	THIS DRAWING CONTAINS INFORMATION THAT IS PROPRIETARY TO MOLEX INC. & SHOULD NOT BE USED WITHOUT WRITTEN PERMISSION	
TITLE 96 pos. female connector acc. DIN 41612 style R contacts arrangement		
MOLEX <sup>®</sup> MOLEX EUROPE		SHEET NO. DATE 1 OF 1 96/09/17
PART NO.	DWG NO.	SIZE
85052-0206	SDA-85052-0206	A