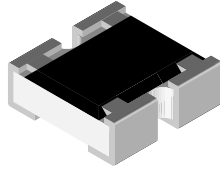


Thick Film Chip Resistor Attenuator, Surface Mount



FEATURES

- Single component reduces board space and component counts - replaces 3 or more components
- Tolerance matching and temperature tracking superior to individual components
- Maximum power dissipation: 0.075 W for CZA06S; 0.040 W for CZA04S
- Consult factory for extended values, non-standard tolerances, impedance matching and other attenuation values
- Frequency range: DC to 3 GHz
- Compliant to RoHS directive 2002/95/EC



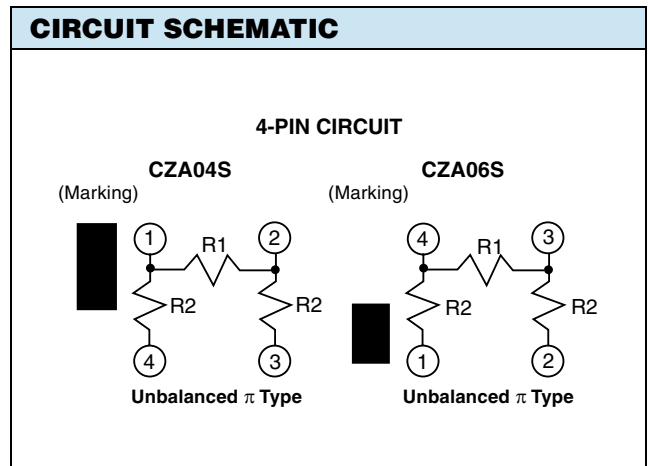
RoHS*
COMPLIANT

STANDARD ELECTRICAL SPECIFICATIONS				
GLOBAL MODEL	POWER RATING $P_{70\text{ }^\circ\text{C}}$ W	IMPEDANCE Ω	ATTENUATION RANGE AND TOLERANCE	
			$\pm 0.3\text{ dB (L)}$	$\pm 0.5\text{ dB (H)}$
CZA04S	0.040	50	1 dB to 5 dB	6 dB to 20 dB
CZA06S	0.075	50/75/100/300/600	1 dB to 5 dB	6 dB to 20 dB

Note

• Power rating depends on the maximum temperature at the solder point, the component placement density and the substrate material.

IMPEDANCE	50 Ω	75 Ω	100 Ω	300 Ω	600 Ω
1	1	1	1	1	1
1.5	1.5	1.5	1.5	1.5	1.5
2	2	2	2	2	2
3	3	3	3	3	3
4	4	4	4	4	4
5	5	5	5	5	5
6	6	6	6	6	6
10	10	10	10	10	10
11	11	11	11	11	11
12	12	12	12	12	12
13	13	13	13	13	13
14	14	14	14	14	14
15	15	15	15	15	15
16	16	16	16	16	16
17	17	17	17	17	17
18	18	18	18	18	18
19	19	19	19	19	19
20	20	20	20	20	20



TECHNICAL SPECIFICATIONS				
PARAMETER	UNIT	CZA04S	CZA06S	
Rated dissipation at 70 °C	W	0.040	0.075	
VSWR		1.2 max.	1.2 max.	
Category temperature range	°C	- 55 to + 125	- 55 to + 150	
Frequency range		DC to 3 GHz	DC to 3 GHz	

GLOBAL PART NUMBER INFORMATION

New Global Part Numbering: CZA06S04015050LRT (preferred part numbering format)

C	Z	A	0	6	S	0	4	0	1	5	0	5	0	L	R	T	
MODEL	PIN COUNT	ATTENUATION	IMPEDANCE	TOLERANCE	PACKAGING	SPECIAL											
CZA04S CZA06S	04 = 4 pin	010 = 1.0 dB 015 = 1.5 dB 020 = 2.0 dB 150 = 15.0 dB 000 = 0 Ω Jumper	050 = 50 Ω 075 = 75 Ω 100 = 100 Ω 000 = 0 Ω Jumper	H = $\pm 0.5\text{ dB}$ L = $\pm 0.3\text{ dB}$ Z = 0 Ω Jumper	EA =Lead (Pb)-free, T/R (all) TD = Tin lead, T/R (04 only) RT = Tin lead, T/R (06 only)	(Dash number) Up to 1 digit Blank = Standard											

Historical Part Number Example: CZA06S04015050LRT (will continue to be accepted)

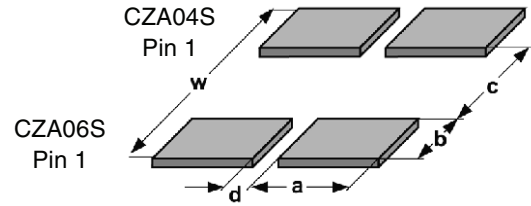
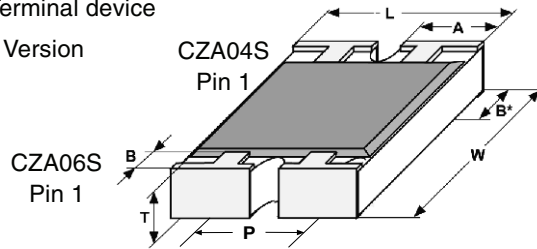
CZA	06S	04	015	050	L	RT
MODEL	CASE SIZE	PIN COUNT	ATTENUATION	IMPEDANCE	TOLERANCE	PACKAGING

* Pb containing terminations are not RoHS compliant, exemptions may apply

DIMENSIONS

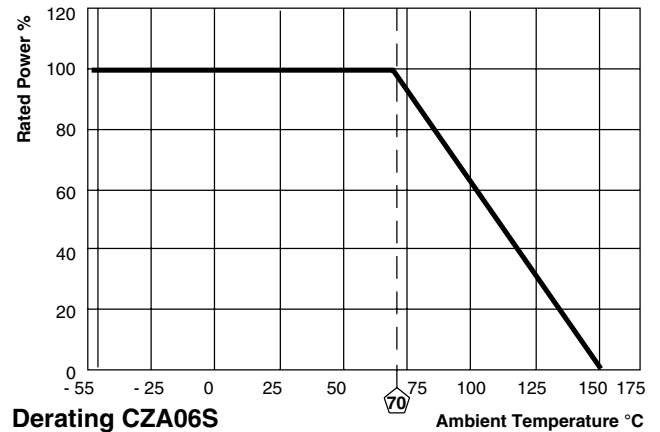
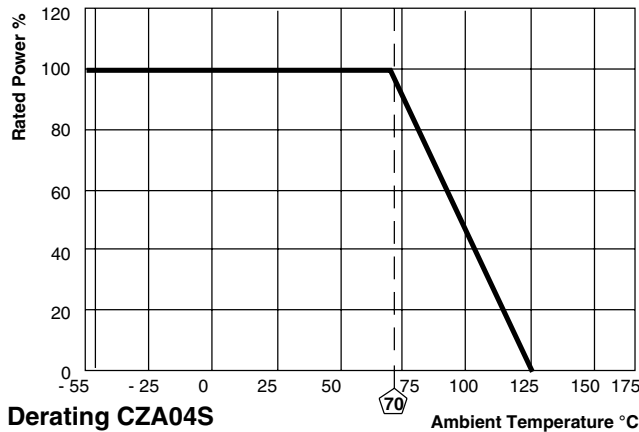
4-Terminal device

S - Version



GLOBAL MODEL	DIMENSIONS in inches (millimeters)						
	L	W	T	A	P	B	B*
CZA04S	0.039 ± 0.004 (1.00 ± 0.10)	0.039 ± 0.006 (1.00 ± 0.15)	0.014 ± 0.004 (0.36 ± 0.10)	0.013 ± 0.006 (0.33 ± 0.15)	0.026 (0.65)	0.006 ± 0.004 (0.15 ± 0.10)	0.010 ± 0.004 (0.25 ± 0.10)
CZA06S	0.063 ± 0.006 (1.60 ± 0.15)	0.059 ± 0.006 (1.50 ± 0.15)	0.020 ± 0.004 (0.51 ± 0.10)	0.024 ± 0.006 (0.61 ± 0.15)	0.031 (0.80)	0.012 ± 0.006 (0.30 ± 0.15)	0.012 ± 0.006 (0.30 ± 0.15)

SOLDER PAD DIMENSIONS in inches (millimeters)					
	c	w	d	a	b
CZA04S	0.018 (0.45)	0.083 (2.10)	0.008 (0.20)	0.018 (0.45)	0.032 (0.82)
CZA06S	0.031 (0.80)	0.122 (3.10)	0.014 (0.36)	0.025 (0.63)	0.045 (1.15)



PERFORMANCE			
TEST	CONDITIONS OF TEST	TEST RESULTS (TYPICAL TEST LOTS)	
		0.5 dB to 5 dB	6 dB to 20 dB
Endurance test at 70 °C per EIA 575-3.14	1000 h at 70 °C, 1.5 h "ON", 0.5 h "OFF"	± 0.2 dB	± 0.3 dB
Overload per EIA 575-3.6	Short time overload	± 0.2 dB	± 0.3 dB
Thermal shock	Per EIA 575-3.5	± 0.2 dB	± 0.3 dB
Moisture resistance	Per EIA 575-3.10	± 0.2 dB	± 0.3 dB
Resistance to soldering heat	10 s at 260 °C solder bath temperature EIA 575 3.8	± 0.2 dB	± 0.3 dB
High temperature exposure	Per EIA 575-3.7	± 0.2 dB	± 0.3 dB
Low temperature operations	Per EIA-575-3.6	± 0.2 dB	± 0.3 dB
Solderability and leaching	EIA 575-3.12	95 % coverage	



Disclaimer

ALL PRODUCT, PRODUCT SPECIFICATIONS AND DATA ARE SUBJECT TO CHANGE WITHOUT NOTICE TO IMPROVE RELIABILITY, FUNCTION OR DESIGN OR OTHERWISE.

Vishay Intertechnology, Inc., its affiliates, agents, and employees, and all persons acting on its or their behalf (collectively, "Vishay"), disclaim any and all liability for any errors, inaccuracies or incompleteness contained in any datasheet or in any other disclosure relating to any product.

Vishay makes no warranty, representation or guarantee regarding the suitability of the products for any particular purpose or the continuing production of any product. To the maximum extent permitted by applicable law, Vishay disclaims (i) any and all liability arising out of the application or use of any product, (ii) any and all liability, including without limitation special, consequential or incidental damages, and (iii) any and all implied warranties, including warranties of fitness for particular purpose, non-infringement and merchantability.

Statements regarding the suitability of products for certain types of applications are based on Vishay's knowledge of typical requirements that are often placed on Vishay products in generic applications. Such statements are not binding statements about the suitability of products for a particular application. It is the customer's responsibility to validate that a particular product with the properties described in the product specification is suitable for use in a particular application. Parameters provided in datasheets and/or specifications may vary in different applications and performance may vary over time. All operating parameters, including typical parameters, must be validated for each customer application by the customer's technical experts. Product specifications do not expand or otherwise modify Vishay's terms and conditions of purchase, including but not limited to the warranty expressed therein.

Except as expressly indicated in writing, Vishay products are not designed for use in medical, life-saving, or life-sustaining applications or for any other application in which the failure of the Vishay product could result in personal injury or death. Customers using or selling Vishay products not expressly indicated for use in such applications do so at their own risk and agree to fully indemnify and hold Vishay and its distributors harmless from and against any and all claims, liabilities, expenses and damages arising or resulting in connection with such use or sale, including attorneys fees, even if such claim alleges that Vishay or its distributor was negligent regarding the design or manufacture of the part. Please contact authorized Vishay personnel to obtain written terms and conditions regarding products designed for such applications.

No license, express or implied, by estoppel or otherwise, to any intellectual property rights is granted by this document or by any conduct of Vishay. Product names and markings noted herein may be trademarks of their respective owners.