

77.76MHz VCXO

DS4077

General Description

The DS4077 is an integrated voltage-controlled crystal oscillator (VCXO) module designed to provide reference clock generation in base stations, telecom/datacom, and wireless applications. The DS4077 is developed using a fundamental quartz crystal plus a unique integrated circuit design. The internal fundamental quartz crystal determines the frequency of operation. Custom frequencies are available. Contact the factory for availability.

The DS4077 is designed for use with applications requiring low phase noise and jitter. Jitter performance of better than 1ps RMS is achieved over the 12kHz to 80MHz range. Phase noise performance of better than -130dBc/Hz at 1kHz is achieved with this design.

Features

- ◆ 77.76MHz (f_{NOM}) Frequency
- ◆ 3.135V to 3.465V Operation
- ◆ Low Jitter: <1ps RMS
- ◆ ±69ppm Absolute Pull Range (APR)
- ◆ LVCMOS Output Buffer
- ◆ Minimum ±110ppm Tuning Range (+25°C)
- ◆ Available in Commercial or Industrial Temperature Ranges
- ◆ 14mm x 9mm x 3.06mm Plastic LGA Package

Applications

Clock-Data Recovery in Telecom/Datacom Applications

Data Retiming

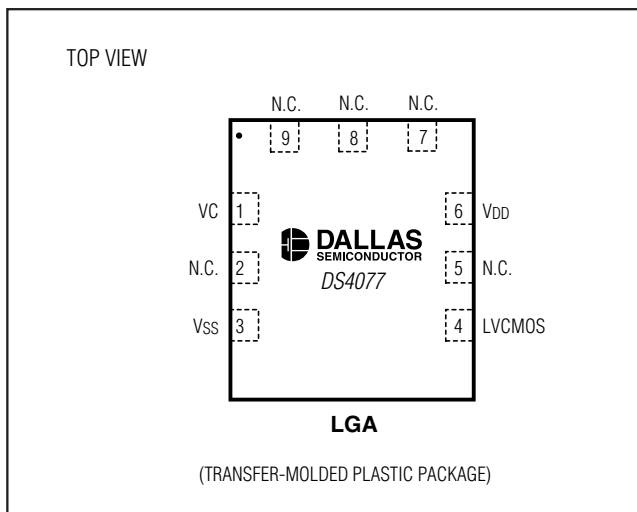
Reference Clock Generation in Base Stations and Wireless Applications

Ordering Information

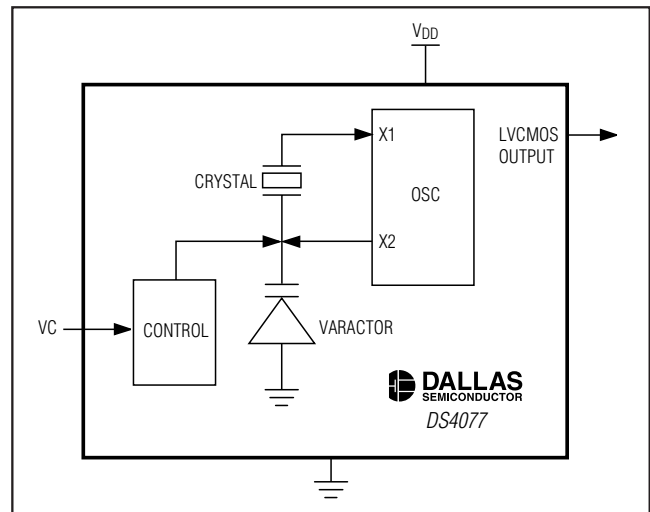
PART	TEMP RANGE	PIN-PACKAGE	TOP MARK*
DS4077L-0C0	0°C to +70°C	9 LGA	DS4077L-0C0
DS4077L-0CN	-40°C to +85°C	9 LGA	DS4077L-0CN

*The top mark includes an "N" for industrial temperature grade devices.

Pin Configuration



Block Diagram



77.76MHz VCXO

ABSOLUTE MAXIMUM RATINGS

VC, V _{DD} , LVCMOS Output	-0.3V, +3.6V
Operating Temperature Range (noncondensing)	-40°C to +85°C
Junction Temperature	+150°C
Thermal Resistance	
Junction to Ambient	91.06°C/W
Junction to Case	44.51°C/W

Storage Temperature Range	-55°C to +125°C
Soldering Temperature (reflow, 2 passes max)....	See IPC/JEDEC STD-020 Specification

Stresses beyond those listed under "Absolute Maximum Ratings" may cause permanent damage to the device. These are stress ratings only, and functional operation of the device at these or any other conditions beyond those indicated in the operational sections of the specifications is not implied. Exposure to absolute maximum rating conditions for extended periods may affect device reliability.

ELECTRICAL CHARACTERISTICS

(V_{DD} = 3.135V to 3.465V, T_A = -40°C to +85°C or 0°C to +70°C, unless otherwise noted.) (Typical values at +25°C, V_{DD} = 3.3V, unless otherwise noted.) (Note 1)

PARAMETER	SYMBOL	CONDITIONS	MIN	TYP	MAX	UNITS
V _{DD} Operating Supply Range	V _{DD}		3.135	3.3	3.465	V
V _{DD} Supply Current	I _{DD}	Output open		20	30	mA
Frequency	f _{OUT}	VC = 1.6V, V _{DD} = 3.3V, T _A = +25°C, LOAD = 10pF	f _{NOM} -8ppm	f _{NOM}	f _{NOM} +8ppm	MHz
Frequency vs. V _{DD} Sensitivity	V _{DD} ppm	V _{DD} = 3.3V ±5%	-3.5		+11.5	ppm
Frequency vs. Load Sensitivity	LOADppm	10pF to 20pF (Note 2)		-1		ppm
Frequency vs. Temperature	TEMPppm	From +25°C	-20		+20	ppm
VC Voltage Range	V _C RANGE		0.3	1.60	2.8	V
Frequency Tuning Sensitivity	V _C SEN	(Note 3)	41		164	ppm/V
Tuning Voltage Bandwidth	V _C BW	(Note 2)	10			kHz
Absolute Pull Range	f _{TUNE}	VC = 0.3V to 2.8V, LOAD = 10pF	-69		+69	ppm
VC Input Leakage	I _{LCV}	VC = 0V to V _{DD}	-500		+500	nA
Aging, First Year	AGEppm		-5		+5	ppm
Aging, Years 0–10	t _{AGE}	Total aging	-10		+10	ppm

77.76MHz VCXO

DS4077

ELECTRICAL CHARACTERISTICS (continued)

($V_{DD} = 3.135V$ to $3.465V$, $T_A = -40^{\circ}C$ to $+85^{\circ}C$ or $0^{\circ}C$ to $+70^{\circ}C$, unless otherwise noted.) (Typical values at $+25^{\circ}C$, $V_{DD} = 3.3V$, unless otherwise noted.) (Note 1)

PARAMETER	SYMBOL	CONDITIONS	MIN	TYP	MAX	UNITS
LVC MOS OUTPUT						
Output Logic 0	V_{OL}	Output Current $-450\mu A$	0		0.4	V
Output Logic 1	V_{OH}	Output Current $+450\mu A$	$V_{DD} - 0.8V$		V_{DD}	V
Output Rise Time	t_R	Load condition: 10pF to ground; 10% to 90% V_{DD} (Note 2)			2	ns
Output Fall Time	t_F	Load condition: 10pF to ground; 90% to 10% V_{DD} (Note 2)			2	ns
Duty Cycle	D_{CYC}	Load condition: 10pF, $V_{DD} / 2$ (Note 2)	40		60	%
Harmonics	H	$V_{DD} = 3.3V$, $T_A = +25^{\circ}C$ (Note 2)		-18	-8	dBc/Hz
SSB PHASE NOISE AND JITTER, $V_{DD} = 3.3$, $T_A = +25^{\circ}C$ (Note 2)						
10Hz Offset		LVC MOS		-74		dBc/Hz
100Hz Offset				-105		
1kHz Offset				-130		
10kHz Offset				-147		
100kHz Offset				-150		
Jitter (12kHz to 80MHz)				1		PSRMS

Note 1: Limits at $-40^{\circ}C$ are guaranteed by design and not production tested.

Note 2: Guaranteed by design and not production tested.

Note 3: Tuning linearity typically better than $\pm 10\%$.

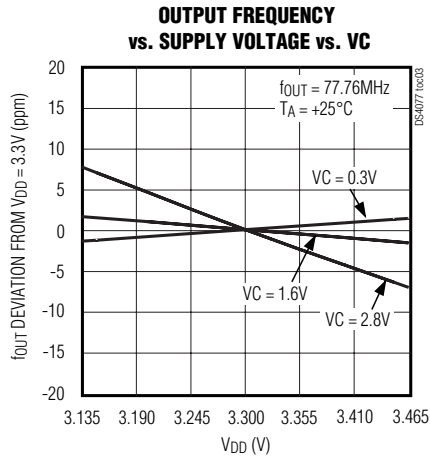
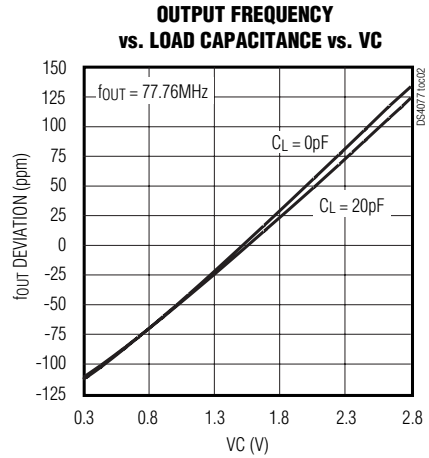
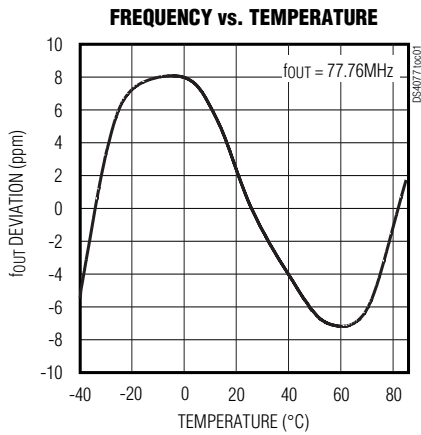
Pin Description

PIN	NAME	FUNCTION
1	VC	VCXO Control Voltage
2, 5, 7, 8, 9	N.C.	No Connection
3	V_{SS}	Ground
4	LVC MOS	LVC MOS Output
6	V_{DD}	DC Power

77.76MHz VCXO

Typical Operating Characteristics

($V_{CC} = +3.3V$, $T_A = +25^\circ C$, unless otherwise noted.)



Package Information

(For the latest package information, go to www.maxim-ic.com/DallasPackInfo and click on package drawing 56-G6034-001.)

Maxim cannot assume responsibility for use of any circuitry other than circuitry entirely embodied in a Maxim product. No circuit patent licenses are implied. Maxim reserves the right to change the circuitry and specifications without notice at any time.

4 Maxim Integrated Products, 120 San Gabriel Drive, Sunnyvale, CA 94086 408-737-7600

© 2005 Maxim Integrated Products Printed USA **MAXIM** is a registered trademark of Maxim Integrated Products, Inc.

DALLAS SEMICONDUCTOR is a registered trademark of Dallas Semiconductor Corporation.