

**PLEASE CHECK WWW.MOLEX.COM FOR LATEST PART INFORMATION**

**Part Number:** [0026011098](#)  
**Status:** **Active**  
**Description:** 3.96mm (.156") Pitch Board-to-Board Receptacle, Bottom Entry, 9 Circuits

**Documents:**

[3D Model](#) [Product Specification PS-5145-006 \(PDF\)](#)  
[Drawing \(PDF\)](#) [RoHS Certificate of Compliance \(PDF\)](#)  
[Product Specification PS-5145-003 \(PDF\)](#)

**Agency Certification**

CSA LR19980  
TUV R72090224  
UL E29179

**General**

Product Family PCB Receptacles  
Series [5145](#)  
Application Board-to-Board  
Product Name N/A

**Physical**

Circuits (Loaded) 9  
Durability (mating cycles max) 30  
Flammability 94V-2  
Glow-Wire Compliant No  
Keying to Mating Part Yes  
Material - Metal Brass  
Material - Plating Mating Tin  
Material - Plating Termination Tin  
Number of Rows 1  
Orientation Bottom Entry  
PCB Locator No  
PCB Retention None  
PCB Thickness Recommended (in) 0.062 In  
PCB Thickness Recommended (mm) 1.60 mm  
Packaging Type Bag  
Pitch - Mating Interface (in) 0.156 In  
Pitch - Mating Interface (mm) 3.96 mm  
Polarized to PCB Yes  
Surface Mount Compatible (SMC) No  
Temperature Range - Operating -40°C to +105°C  
Termination Interface: Style Through Hole

**Electrical**

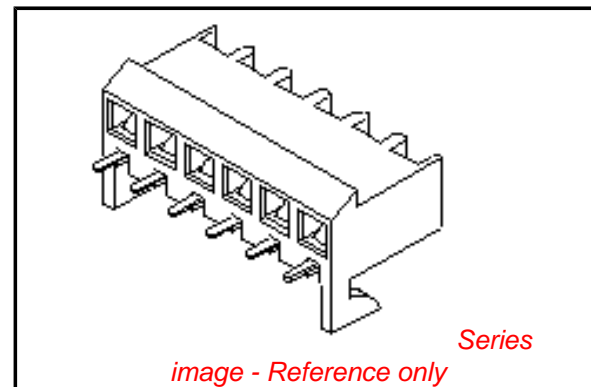
Current - Maximum per Contact 5A  
Voltage - Maximum 250V

**Material Info**

Old Part Number 5145-09BH

**Reference - Drawing Numbers**

Product Specification PS-5145-003, PS-5145-006  
Sales Drawing SD-5145-001, SD-5145-NBH



**EU RoHS**

**ELV and RoHS  
Compliant**  
**REACH SVHC  
Contains SVHC: No**  
**Halogen-Free  
Status  
Not Reviewed**

**China RoHS**



**Need more information on product  
environmental compliance?**

Email [productcompliance@molex.com](mailto:productcompliance@molex.com)  
For a multiple part number RoHS Certificate of Compliance, [click here](#)

Please visit the [Contact Us](#) section for any non-product compliance questions.

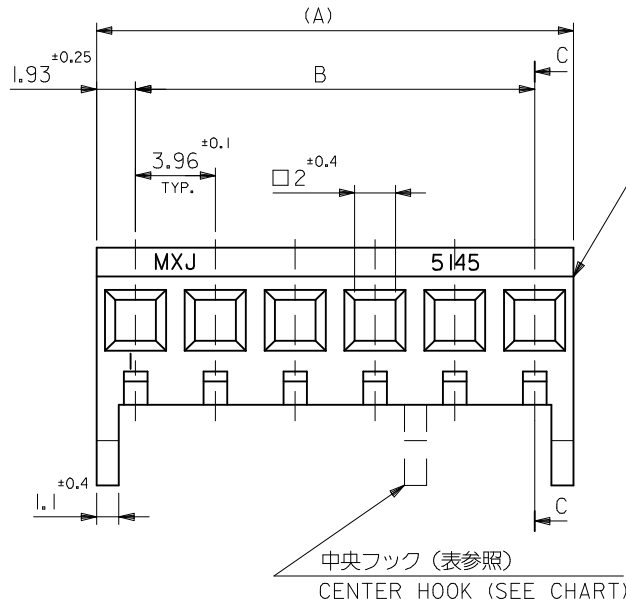
**Search Parts in this Series**

[5145Series](#)

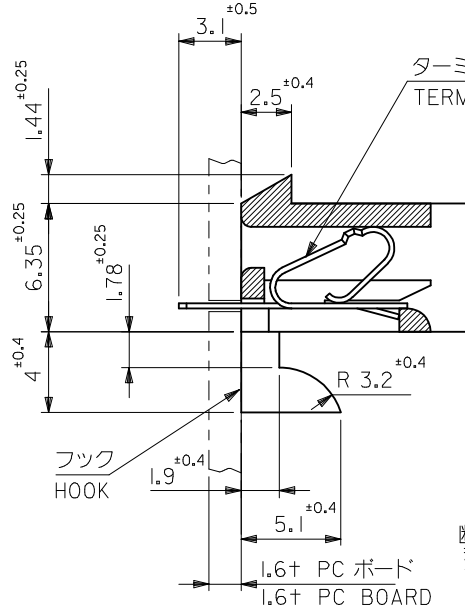
**Mates With**

[2461](#)

**PLEASE CHECK [WWW.MOLEX.COM](http://WWW.MOLEX.COM) FOR LATEST PART INFORMATION**



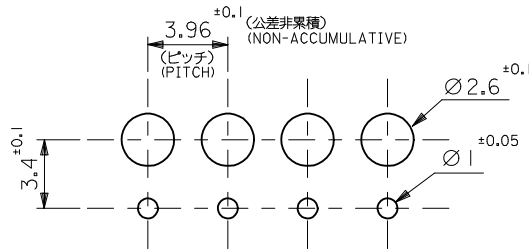
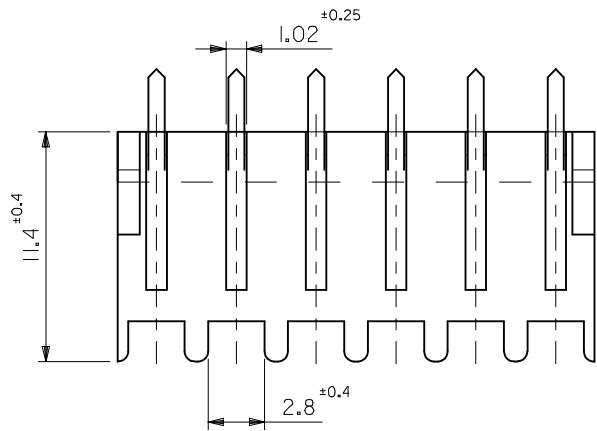
ハウジング (ナイロン66、UL94V-2)  
HOUSING (NYLON 66, UL94V-2)



注記  
NOTE

1. 端回路リブ付き  
RIB STICK TO END CIRCUIT
2. ( ) 内寸法は参考値とする。  
( ) DIMENSION IS FOR REFERENCE

断面 C-C  
SECT. C-C



基板取付穴推奨寸法  
RECOMMENDED PC BOARD HOLE DIMENSION

4と5の間 BETWEEN 4 AND 5	43.56±0.25	47.42	26-01-1128	5145-12BH	12
5と6の間 BETWEEN 5 AND 6	35.64±0.25	39.50	26-01-1108	5145-10BH	10
4と5の間 BETWEEN 4 AND 5	31.68±0.2	35.54	26-01-1098	5145-09BH	9
4と5の間 BETWEEN 4 AND 5	27.72±0.2	31.58	26-01-1088	5145-08BH	8
—	23.76±0.2	27.62	26-01-1078	5145-07BH	7
—	19.80±0.2	23.66	26-01-1068	5145-06BH	6
—	15.84±0.15	19.70	26-01-1058	5145-05BH	5
—	11.88±0.15	15.74	26-01-1048	5145-04BH	4
—	7.92±0.15	11.78	26-01-1038	5145-03BH	3
—	3.96±0.1	7.82	26-01-1028	5145-02BH	2
中央フック位置 CENTER HOOK	B	(A)	PART NO.	MATERIAL NO.	枚数 NO. OF CKTS.

MODEL NO. 5145-NBH

材料ハウジング:ナイロン66、UL94V-2  
MATERIAL HOUSING:NYLON 66, UL94V-2  
ターミナル:黄銅、銅下付錫メッキ、0.254 t  
TERMINAL:BRASS, TIN OVER COPPER PLATE  
0.254 t

REVISED EC NO: J2009-0510 DRWN:NAKAMURA 2008/12/08 CHKD:T. HARIYAMA 2008/12/08 APPR:NUKITA 2009/01/13 REV J	GENERAL TOLERANCES (UNLESS SPECIFIED)		DIMENSION STYLE MM ONLY		SCALE 4:1	DESIGN UNITS METRIC	THIRD ANGLE PROJECTION	
	10 UNDER	± ---	DRAWN BY S. ANDO	DATE '96/5/24	TITLE KK3.96 SOLDER REC HSG ASSY			
	10 OVER 30 UNDER	± ---	CHECKED BY M. FUKUSHIMA	DATE '96/5/24	APPROVED BY M. ENOMOTO			
	30 OVER	± ---	APPROVED BY M. ENOMOTO	DATE '96/5/24	MATERIAL NO. DOCUMENT NO.			
ANGULAR ± --- °		DRAFT WHERE APPLICABLE MUST REMAIN WITHIN DIMENSIONS		SEE TABLE		MOLEX INCORPORATED		SHEET NO. 1 OF 1
THIS DRAWING CONTAINS INFORMATION THAT IS PROPRIETARY TO MOLEX INCORPORATED AND SHOULD NOT BE USED WITHOUT WRITTEN PERMISSION								

NOTE.

DIMENSION SHOWN IN ( ) ARE REFERENCE.

PART No. 26-01-1\*\*8  
ENG. No. SD-5145-NB4

F

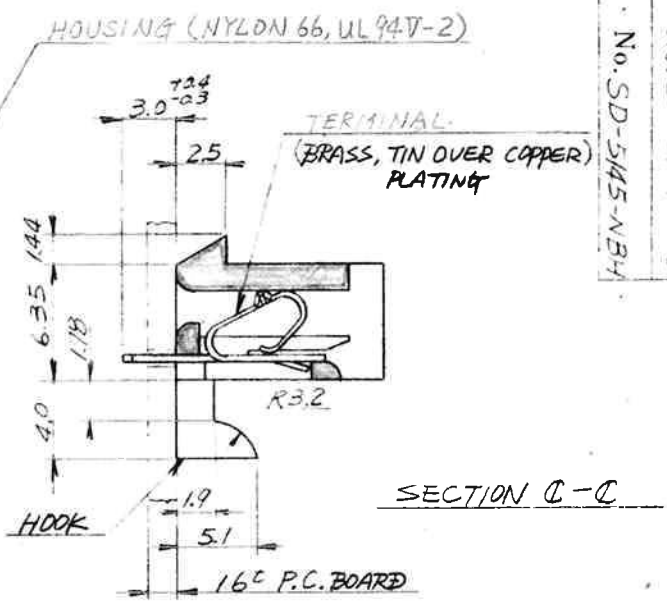
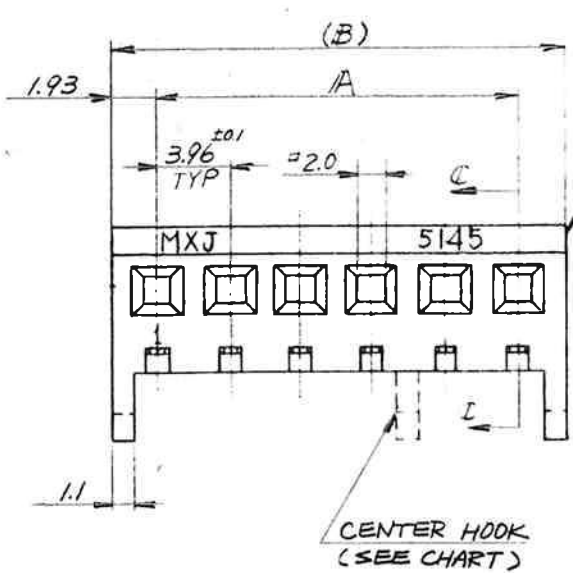
E

D

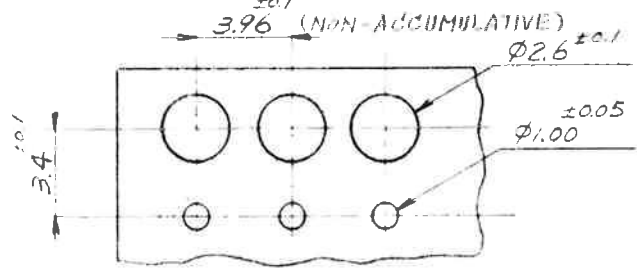
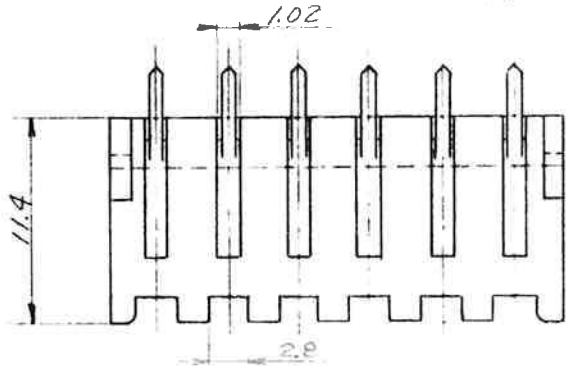
C

B

A



RECOMMENDED P.C. BOARD HOLE DIM.



5145-14BH	26-01-1148	14	51.48 <sup>+0.30</sup>	55.4	586, 9&10
5145-07BH	26-01-1078	7	23.76 <sup>+0.20</sup>	27.62	"
5145-5BH	NOT TOOLED	5	55.44 <sup>+0.30</sup>	59.30	586, 10&11
-12BH	26-01-1128	12	43.56 <sup>+0.25</sup>	47.42	485, 8&9
-10BH	1108	10	35.64 <sup>+0.25</sup>	39.50	586
-09BH	1098	9	31.63 <sup>+0.20</sup>	35.54	485
-08BH	1088	8	27.72 <sup>+0.20</sup>	31.58	485
-06BH	1068	6	19.80 <sup>+0.20</sup>	23.66	"
-05BH	1058	5	5.84 <sup>+0.3</sup>	19.70	"
-04BH	1048	4	11.00 <sup>+0.5</sup>	15.74	"
-03BH	1038	3	7.92 <sup>+0.15</sup>	11.78	"
5145-02BH	26-01-1028	2	3.96 <sup>+0.10</sup>	7.82	"
ENG NO	PART NO	No. OF CKT	A DIM.	(B) DIM.	CENTER HOOK LOCATION

DIMENSION SHOWN METRIC/INCH  
指示寸法  
UNLESS OTHERWISE SPECIFIED TOLERANCE  
指示公差  
0.00 ±0.08  
.00 ±0.25  
0 ±0.40  
DO NOT SCALE DRAWING.  
図面の実測をなすこと

TITLE KK 3.96 SOLDER REC. HSG. ASSY  
MOLEX (JAPAN) CO., LTD.  
日本モレックス株式会社  
558, FUKAMI, YAMATO, KANAGAWA, JAPAN

DRWG.	DSN'D	CHK'D	APP'D
ADDED = 14" BY ECN NO. 1536	DATE	NAME	
LTR 記号	REVISIONS 変更内容	DATE	NAME

PART No.	SIZE
26-01-1**8	A
ENG. No.	REV.
SD-5145-NB4	G