

PLEASE CHECK WWW.MOLEX.COM FOR LATEST PART INFORMATION

Part Number: **0190730038**
Status: **Active**
Description: Avikrimp™ Ring Tongue Terminal for 18 to 22 AWG Wire, Stud Size 5, Length 19.80mm (.779")

Documents:

[Drawing \(PDF\)](#) [RoHS Certificate of Compliance \(PDF\)](#)

Agency Certification

CSA LR18689
 UL E32244

General

Product Family Ring and Spade Terminals
 Series [19073](#)
 Comments Type II Insulated; Class 1 and 2
 Crimp Quality Equipment Yes
 Mil-Spec AS25036-102, MS25036-102
 MolexKits Yes
 Product Name Avikrimp™
 Type Ring

Physical

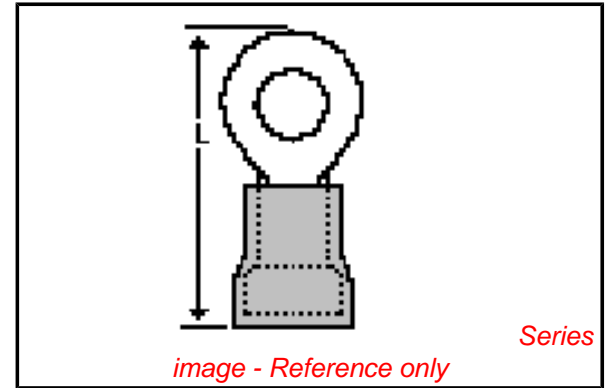
Barrel Type Closed
 Flammability 94V-0
 Insulation Nylon (PA)
 Material - Plating Mating Tin
 Packaging Type Bag
 Plating min: Mating (µin) 100
 Plating min: Mating (µm) 2.5
 Plating min: Termination (µin) 100
 Plating min: Termination (µm) 2.5
 Stud Size 5-6 (M3-3.5)
 Wire Insulation Diameter 3.60mm (.142") max.
 Wire Size AWG 18, 20, 22
 Wire Size mm² 0.35 - 0.80

Material Info

Old Part Number AA-832-06

Reference - Drawing Numbers

Sales Drawing SD-19073-004



EU RoHS

ELV and RoHS Compliant
REACH SVHC
 Not Reviewed
Halogen-Free Status
Not Reviewed

China RoHS



Need more information on product environmental compliance?

Email productcompliance@molex.com
 For a multiple part number RoHS Certificate of Compliance, [click here](#)

Please visit the [Contact Us](#) section for any non-product compliance questions.

Search Parts in this Series

[19073Series](#)

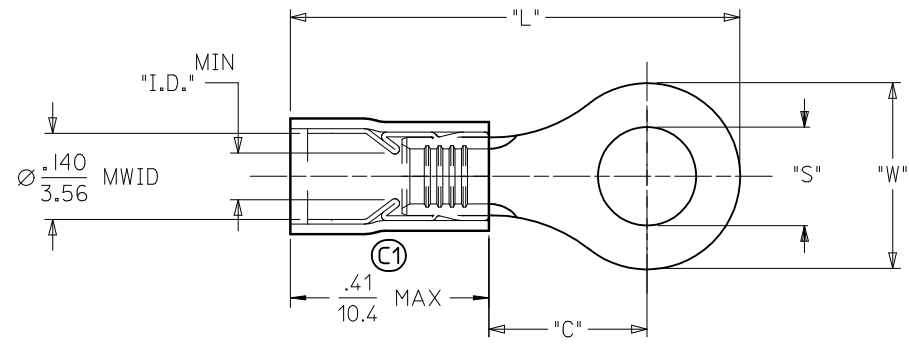
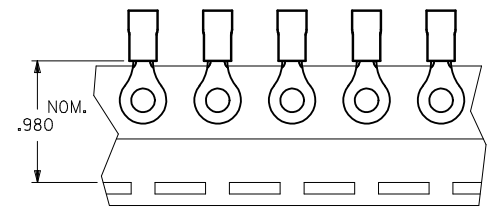
Application Tooling | FAQ

Tooling specifications and manuals are found by selecting the products below. Crimp Height Specifications are then contained in the Application Tooling Specification document.

Global

Description	Product #
Hand Crimp Tool	0640010100
Hand Crimp Tool	0640011200
Crimp Head for the AT-200™ Pneumatic Hand Tool	0640050100
Crimp Head for the AT-200™ Pneumatic Hand Tool	0640051200

MATERIAL NUMBER	ALTERNATE NUMBER	STUD SIZE	"S"	"W"	"C" MIN (C1)	"L" MAX (C1)	"I.D."	PACKAGING
190730036	AA-832-04	04	.119(3.02)	.25(6.5)	.24(6.1)	(C1) .81 (20.6)	.062(1.57)	LOOSE PIECE
190730038	AA-832-06	06	.146(3.71)	.25(6.5)	.24(6.1)	(C1) .81 (20.6)	.062(1.57)	
190730042	AA-832-08	08	.173(4.39)	.25(6.5)	.24(6.1)	(C1) .81 (20.6)	.062(1.57)	
190730046	AA-833-04	04	.119(3.02)	.27(6.9)	.24(6.1)	.82(20.7)	.062(1.57)	
190730047	AA-833-06	06	.146(3.71)	.27(6.9)	.24(6.1)	.82(20.7)	.062(1.57)	
190730048	AA-833-08	08	.173(4.39)	.27(6.9)	.24(6.1)	.82(20.7)	.062(1.57)	
190730049	AA-833-10	10	.198(5.03)	.27(6.9)	.24(6.1)	.82(20.7)	.062(1.57)	
190730001	AA-8111-02	02	.094(2.38)	.19(4.8)	.17(4.4)	.72(18.2)	.054(1.37)	
190730003	AA-8111-04	04	.119(3.02)	.19(4.8)	.17(4.4)	.72(18.2)	.054(1.37)	
190730037	AA-832-04T	04	.119(3.02)	.25(6.5)	.24(6.1)	(C1) .81 (20.6)	.062(1.57)	
190730040	AA-832-06T	06	.146(3.71)	.25(6.5)	.24(6.1)	(C1) .81 (20.6)	.062(1.57)	
190730043	AA-832-08T	08	.173(4.39)	.25(6.5)	.24(6.1)	(C1) .81 (20.6)	.062(1.57)	
190730050	AA-833-10T	10	.198(5.03)	.27(6.9)	.24(6.1)	.82(20.7)	.062(1.57)	
190730002	AA-8111-02T	02	.094(2.38)	.19(4.8)	.17(4.4)	.72(18.2)	.054(1.37)	
190730004	AA-8111-04T	04	.119(3.02)	.19(4.8)	.17(4.4)	.72(18.2)	.054(1.37)	



- NOTES:
- MATERIAL: COPPER
PLATING: ELECTROPLATE TIN
 - FERRULE: TIN-PLATED BRASS
 - INSULATION: RED NYLON
 - MWID=MAXIMUM WIRE INSULATION DIA.
 - ALL DIMENSIONS IN INCHES (MM).
 - PARTS ARE ROHS COMPLIANT.

FIX TOLERANCES EC NO: WNA2010-0470 DR: WNETHRODAHL 2010/01/27 CHKD: JMACNEIL 2010/01/27 APPR: JMACNEIL 2010/01/27	QUALITY SYMBOLS ▽=0 ▽=0	GENERAL TOLERANCES (UNLESS SPECIFIED)		DIMENSION STYLE IN/MM		SCALE 1:1	DESIGN UNITS INCH	THIRD ANGLE PROJECTION			
		4 PLACES ± --- ± ---	3 PLACES ± --- ± .005	2 PLACES ± 0.13 ± .01	1 PLACE ± 0.25 ± ---	ANGULAR ± 1/2°	DRAWN BY ASAYDEH	DATE 05/12/07	TITLE RING TONGUE TERMINAL 22-18 AWG AVIKRIMP, 800-SERIES		
		DRAFT WHERE APPLICABLE MUST REMAIN WITHIN DIMENSIONS					CHECKED BY JLOMASTRO	DATE 05/12/07			
							APPROVED BY RDEROSS	DATE 05/12/07	MOLEX INCORPORATED DOCUMENT NO. SD-19073-004 SHEET NO. 1 OF 1		
					MATERIAL NO. SEE CHART		THIS DRAWING CONTAINS INFORMATION THAT IS PROPRIETARY TO MOLEX INCORPORATED AND SHOULD NOT BE USED WITHOUT WRITTEN PERMISSION				