

Am29C332

CMOS 32-Bit Arithmetic Logic Unit



Am29C332

ADVANCE INFORMATION

DISTINCTIVE CHARACTERISTICS

- **Single Chip, 32-Bit ALU**
Standard product supports 110 ns microcycle time for the 32-bit data path. It is a combinatorial ALU with equal cycle time for all instructions.
- **Speed Select supports 80-ns system cycle time**
- **Flow-through Architecture**
A combinatorial ALU with two input data ports and one output data port allows implementation of either parallel or pipelined architectures.
- **64-Bit In, 32-Bit Out Funnel Shifter**
This unique functional block allows n-bit shift-up, shift-down, 32-bit barrel shift or 32-bit field extract.
- **Supports All Data Types**
It supports one-, two-, three- and four-byte data for all operations and variable-length fields for logical operations.
- **Multiply and Divide Support**
Built-in hardware to support two-bit-at-a-time modified Booth's algorithm and one-bit-at-a-time division algorithm.
- **Extensive Error Checking**
Parity check and generate provides data transmission check and master/slave mode provides complete function checking.

GENERAL DESCRIPTION

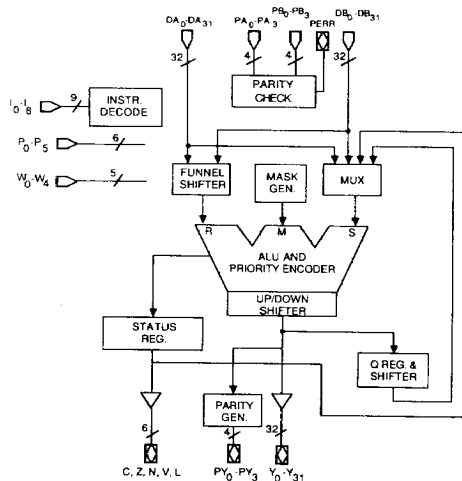
The Am29C332 is a 32-bit wide non-cascadable Arithmetic Logic Unit (ALU) with integration of functions that normally don't cascade, such as barrel shifters, priority encoders and mask generators. Two input data ports and one output data port provide flow-through architecture and allow the designer to implement his/her architecture with any degree of pipelining and no built-in penalties for branching. Also, the simplicity of a three-bus ALU allows easy implementation of parallel or reconfigurable architectures. The register file is off-chip to allow unlimited expansion and regular addressability.

The Am29C332 supports one-, two-, three- and four-byte data for arithmetic and logic operations. It also supports

multiprecision arithmetic and shift operations. For logical operations, it can support variable-length fields up to 32 bits. When fewer than four bytes are selected, unselected bits are passed to the destination without modification. The device also supports two-bit-at-a-time modified Booth's algorithm for high-speed multiplication and one-bit-at-a-time division. Both signed and unsigned integers for all byte aligned data types mentioned above are supported.

The Am29C332 is designed to support 110-ns microcycle time standard speed, and 80-ns microcycle time with speed select. The device is packaged in a 169-lead pin-grid-array package.

SIMPLIFIED BLOCK DIAGRAM



This document contains information on a product under development at Advanced Micro Devices, Inc. The information is intended to help you to evaluate this product. AMD reserves the right to change or discontinue work on this proposed product without notice.

2-38

Publication #	Rev.	Amendment
09298	C	0
Issue Date: January 1988		

RELATED AMD PRODUCTS

Part No.	Description
Am29C01	CMOS 4-Bit Microprocessor Slice
Am29C10A	CMOS 12-Bit Sequencer
Am29C101	CMOS 16-Bit Microprocessor
Am29112	8-Bit Cascadable Microprogram Sequencer
Am29114	Real-Time Interrupt Controller
Am29C116	CMOS 16-Bit Microcontroller
Am29C323	CMOS 32 x 32 Parallel Multiplier
Am29325	32-Bit Floating Point Processor
Am29C325	CMOS 32-Bit Floating Point Processor
Am29331	16-Bit Microprogram Sequencer
Am29C331	CMOS 16-Bit Microprogram Sequencer
Am29334	64 x 18 Four-Port, Dual-Access Register File
Am29C334	CMOS 64 x 18 Four-Port, Dual-Access Register File
Am29337	16-Bit Bounds Checker
Am29338	32-Bit Byte Queue
Am29C516	CMOS 16 x 16 Multiplier
Am29C517	CMOS 16 x 16 Multiplier with Separate I/O

CONNECTION DIAGRAM 169-Lead PGA Bottom View

	A	B	C	D	E	F	G	H	J	K	L	M	N	P	R	T	U
1	DB6	DA6	DB7	DB8	DB9	DB10	DA11	DB12	DA14	DB16	PB1	DB18	DB19	DB20	DB22	DA23	PA2
2	DA5	DA5	DA7	PB0	DA9	DB11	DA12	DA13	DB14	PA1	DA16	DA17	DA18	DA20	DA21	DB28	PB2
3	DB4	DA3	DA4	PA0	DA8	DA10	GND	DB13	DB15	DA15	VCC	DB17	DA18	DB21	DA22	DA24	DB24
4	DB2	DA2	DB3	*											DB25	DA25	DB28
5	DB1	DA1	DA0												DA26	DA27	DB27
6	DB0	P5	P4												DB28	DA28	DB29
7	P1	P3	VCC												VCC	DA30	DA29
8	P2	P0	W4												DB31	DA31	DB30
9	W2	W1	W3												MSERR	PA3	PB3
10	I2	W0	I0												Y31	Y30	Y28
11	I3	I1	GND												GND	Y27	Y28
12	I6	I4	I5												VCC	GND	Y28
13	I8	I7	CP												Y25	Y23	Y24
14	MLINK	RS	SLAVE												GND	VCC	Y22
15	W7	MC7	N	C	PY3	PY2	GND	Y3	GND	Y7	VCC	Y8	Y12	OEY	Y19	Y21	Y20
16	BOROW	V	L	VCC	PY1	GN0T	GND	Y2	Y5	Y6	VCC	Y11	Y10	Y13	Y15	Y18	Y17
17	HOLD	Z	GND	PY0	Y0	PERR	GND	Y1	Y4	GND	VCC	Y9	VCC	GND	Y14	Y16	GND

CD010463

* This pin is not used

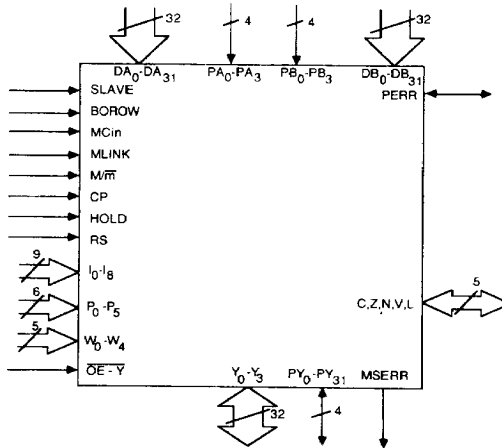
PIN DESIGNATIONS
(Sorted by Pin No.)

PIN NO.	PIN NAME	PAD NO.	PIN NO.	PIN NAME	PAD NO.	PIN NO.	PIN NAME	PAD NO.	PIN NO.	PIN NAME	PAD NO.
A-1	DB ₆	1	C-9	W ₃	145	J-15	GND	105	R-10	Y ₃₁	66
A-2	DA ₅	164	C-10	l ₀	139	J-16	Y ₅	101	R-11	GND	64
A-3	DB ₄	161	C-11	GND	143	J-17	Y ₄	102	R-12	V _{CC}	71
A-4	DB ₂	157	C-12	l ₅	134	K-1	DB ₁₆	27	R-13	Y ₂₅	74
A-5	DB ₁	155	C-13	CP	130	K-2	PA ₁	25	R-14	GND	79
A-6	DB ₀	153	C-14	SLAVE	127	K-3	DA ₁₅	24	R-15	Y ₁₉	82
A-7	P ₁	148	C-15	N	120	K-15	Y ₇	99	R-16	Y ₁₅	88
A-8	P ₂	149	C-16	L	118	K-16	Y ₆	100	R-17	Y ₁₄	89
A-9	W ₂	142	C-17	GND	117	K-17	GND	98	T-1	DA ₂₃	42
A-10	l ₂	137	D-1	DB ₈	7	L-1	PB ₁	26	T-2	DB ₂₃	41
A-11	l ₃	136	D-2	PB ₀	6	L-2	DA ₁₆	28	T-3	DA ₂₄	46
A-12	l ₆	133	D-3	PA ₀	5	L-3	V _{CC}	22	T-4	DA ₂₅	48
A-13	l ₈	131	D-15	C	119	L-15	V _{CC}	103	T-5	DA ₂₇	52
A-14	MLINK	129	D-16	V _{CC}	116	L-16	V _{CC}	103	T-6	DA ₂₈	54
A-15	M/m	125	D-17	PY ₀	115	L-17	V _{CC}	103	T-7	DA ₃₀	58
A-16	BOROW	124	E-1	DB ₉	9	M-1	DB ₁₈	31	T-8	DA ₃₁	60
A-17	HOLD	123	E-2	DA ₉	10	M-2	DA ₁₇	30	T-9	PA ₃	61
B-1	DA ₆	2	E-3	DA ₈	8	M-3	DB ₁₇	29	T-10	Y ₃₀	67
B-2	DB ₅	163	E-15	PY ₃	112	M-15	Y ₈	96	T-11	Y ₂₇	70
B-3	DA ₃	160	E-16	PY ₁	114	M-16	Y ₁₁	93	T-12	GND	72
B-4	DA ₂	158	E-17	Y ₀	109	M-17	Y ₉	95	T-13	Y ₂₃	76
B-5	DA ₁	156	F-1	DB ₁₀	11	N-1	DB ₁₉	33	T-14	V _{CC}	78
B-6	P ₅	152	F-2	DB ₁₁	13	N-2	DA ₁₉	34	T-15	Y ₂₁	80
B-7	P ₃	150	F-3	DA ₁₀	12	N-3	DA ₁₈	32	T-16	Y ₁₈	83
B-8	P ₀	147	F-15	PY ₂	113	N-15	Y ₁₂	92	T-17	Y ₁₆	86
B-9	W ₁	141	F-16	GND	110	N-16	Y ₁₀	94	U-1	PA ₂	43
B-10	W ₀	140	F-17	PERR	111	N-17	V _{CC}	97	U-2	PB ₂	44
B-11	l ₁	138	G-1	DA ₁₁	14	P-1	DB ₂₀	35	U-3	DB ₂₄	45
B-12	l ₄	135	G-2	DA ₁₂	16	P-2	DA ₂₀	36	U-4	DB ₂₆	49
B-13	l ₇	132	G-3	GND	21	P-3	DB ₂₁	37	U-5	DB ₂₇	51
B-14	RS	128	G-15	GND	104	P-15	OE-Y	87	U-6	DB ₂₉	55
B-15	MCin	126	G-16	GND	104	P-16	Y ₁₃	90	U-7	DA ₂₉	56
B-16	V	121	G-17	GND	104	P-17	GND	91	U-8	DB ₃₀	57
B-17	Z	122	H-1	DB ₁₂	15	R-1	DB ₂₂	39	U-9	PB ₃	62
C-1	DB ₇	3	H-2	DA ₁₃	18	R-2	DA ₂₁	38	U-10	Y ₂₈	69
C-2	DA ₇	4	H-3	DB ₁₃	17	R-3	DA ₂₂	40	U-11	Y ₂₉	68
C-3	DA ₄	162	H-15	Y ₃	106	R-4	DB ₂₅	47	U-12	Y ₂₆	73
C-4	DB ₃	159	H-16	Y ₂	107	R-5	DA ₂₆	50	U-13	Y ₂₄	75
C-5	DA ₀	154	H-17	Y ₁	108	R-6	DB ₂₈	53	U-14	Y ₂₂	77
C-6	P ₄	151	J-1	DA ₁₄	20	R-7	V _{CC}	63	U-15	Y ₂₀	81
C-7	V _{CC}	144	J-2	DB ₁₄	19	R-8	DB ₃₁	59	U-16	Y ₁₇	84
C-8	W ₄	146	J-3	DB ₁₅	23	R-9	MSERR	65	U-17	GND	85

PIN DESIGNATIONS
(Sorted by Pin Names)

PIN NAME	PIN NO.	PAD NO.	PIN NAME	PIN NO.	PAD NO.	PIN NAME	PIN NO.	PAD NO.	PIN NAME	PIN NO.	PAD NO.
BOROW	A-16	124	DB ₇	C-1	3	I ₂	A-10	137	V _{CC}	T-14	78
C	D-15	119	DB ₈	D-1	7	I ₃	A-11	136	V _{CC}	N-17	97
CP	C-13	130	DB ₉	E-1	9	I ₄	B-12	135	V _{CC}	D-16	116
DA ₀	C-5	154	DB ₁₀	F-1	11	I ₅	C-12	134	V _{CC}	H-12	71
DA ₁	B-5	156	DB ₁₁	F-2	13	I ₆	A-12	133	W ₀	B-10	140
DA ₂	B-4	158	DB ₁₂	H-1	15	I ₇	B-13	132	W ₁	B-9	141
DA ₃	B-3	160	DB ₁₃	H-3	17	I ₈	A-13	131	W ₂	A-9	142
DA ₄	C-3	162	DB ₁₄	J-2	19	L	C-16	118	W ₃	C-9	145
DA ₅	A-2	164	DB ₁₅	J-3	23	MC _{in}	B-15	126	W ₄	C-8	146
DA ₆	B-1	2	DB ₁₆	K-1	27	MLINK	A-14	129	Y ₀	E-17	109
DA ₇	C-2	4	DB ₁₇	M-3	29	M/ \bar{m}	A-15	125	Y ₁	H-17	108
DA ₈	E-3	8	DB ₁₈	M-1	31	MSERR	R-9	65	Y ₂	H-16	107
DA ₉	E-2	10	DB ₁₉	N-1	33	N	C-15	120	Y ₃	H-15	106
DA ₁₀	F-3	12	DB ₂₀	P-1	35	OE-Y	P-15	87	Y ₄	J-17	102
DA ₁₁	G-1	14	DB ₂₁	P-3	37	P ₀	B-8	147	Y ₅	J-16	101
DA ₁₂	G-2	16	DB ₂₂	R-1	39	P ₁	A-7	148	Y ₆	K-16	100
DA ₁₃	H-2	18	DB ₂₃	T-2	41	P ₂	A-8	149	Y ₇	K-15	99
DA ₁₄	J-1	20	DB ₂₄	U-3	45	P ₃	B-7	150	Y ₈	M-15	96
DA ₁₅	K-3	24	DB ₂₅	R-4	47	P ₄	C-6	151	Y ₉	M-17	95
DA ₁₆	L-2	28	DB ₂₆	U-4	49	P ₅	B-6	152	Y ₁₀	N-16	94
DA ₁₇	M-2	30	DB ₂₇	U-5	51	PA ₀	D-3	5	Y ₁₁	M-16	93
DA ₁₈	N-3	32	DB ₂₈	R-6	53	PA ₁	K-2	25	Y ₁₂	N-15	92
DA ₁₉	N-2	34	DB ₂₉	U-6	55	PA ₂	U-1	43	Y ₁₃	P-16	90
DA ₂₀	P-2	36	DB ₃₀	U-8	57	PA ₃	T-9	61	Y ₁₄	R-17	89
DA ₂₁	R-2	38	DB ₃₁	R-8	59	PB ₀	D-2	6	Y ₁₅	R-16	88
DA ₂₂	R-3	40	GND	G-3	21	PB ₁	L-1	26	Y ₁₆	T-17	86
DA ₂₃	T-1	42	GND	R-11	64	PB ₂	U-2	44	Y ₁₇	U-16	84
DA ₂₄	T-3	46	GND	G-17	104	PB ₃	U-9	62	Y ₁₈	T-16	83
DA ₂₅	T-4	48	GND	G-15	104	PERR	F-17	111	Y ₁₉	R-15	82
DA ₂₆	R-5	50	GND	G-16	104	PY ₀	D-17	115	Y ₂₀	U-15	81
DA ₂₇	T-5	52	GND	C-11	143	PY ₁	E-16	114	Y ₂₁	T-15	80
DA ₂₈	T-6	54	GND	T-12	72	PY ₂	F-15	113	Y ₂₂	U-14	77
DA ₂₉	U-7	56	GND	R-14	79	PY ₃	E-15	112	Y ₂₃	T-13	76
DA ₃₀	T-7	58	GND	U-17	85	RS	B-14	128	Y ₂₄	U-13	75
DA ₃₁	T-8	60	GND	P-17	91	SLAVE	C-14	127	Y ₂₅	R-13	74
DB ₀	A-6	153	GND	K-17	98	V	B-16	121	Y ₂₆	U-12	73
DB ₁	A-5	155	GND	J-15	105	V _{CC}	R-7	63	Y ₂₇	T-11	70
DB ₂	A-4	157	GND	F-16	110	V _{CC}	L-16	103	Y ₂₈	U-10	69
DB ₃	C-4	159	GND	C-17	117	V _{CC}	L-15	103	Y ₂₉	U-11	68
DB ₄	A-3	161	HOLD	A-17	123	V _{CC}	L-17	103	Y ₃₀	T-10	67
DB ₅	B-2	163	I ₀	C-10	139	V _{CC}	C-7	144	Y ₃₁	R-10	66
DB ₆	A-1	1	I ₁	B-11	138	V _{CC}	L-3	22	Z	B-17	122

LOGIC SYMBOL



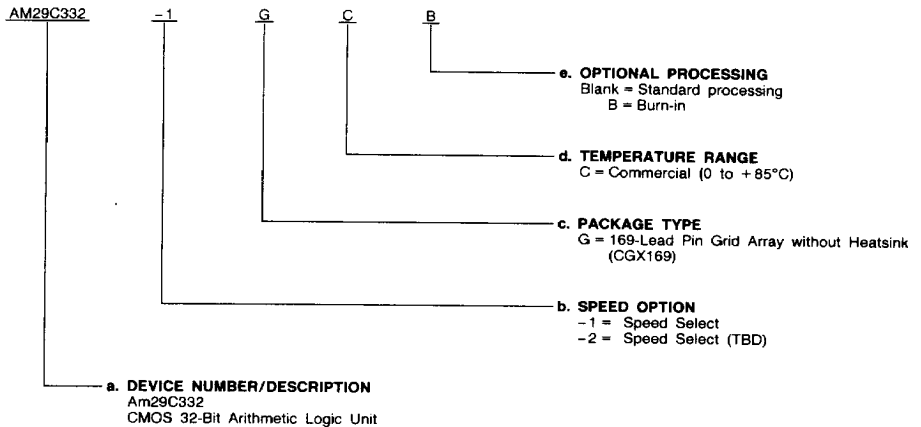
LS002911

ORDERING INFORMATION

Standard Products

AMD standard products are available in several packages and operating ranges. The order number (Valid Combination) is formed by a combination of:

- a. **Device Number**
- b. **Speed Option** (if applicable)
- c. **Package Type**
- d. **Temperature Range**
- e. **Optional Processing**



Valid Combinations	
AM29C332	GC, GCB
AM29C332-1	

Valid Combinations

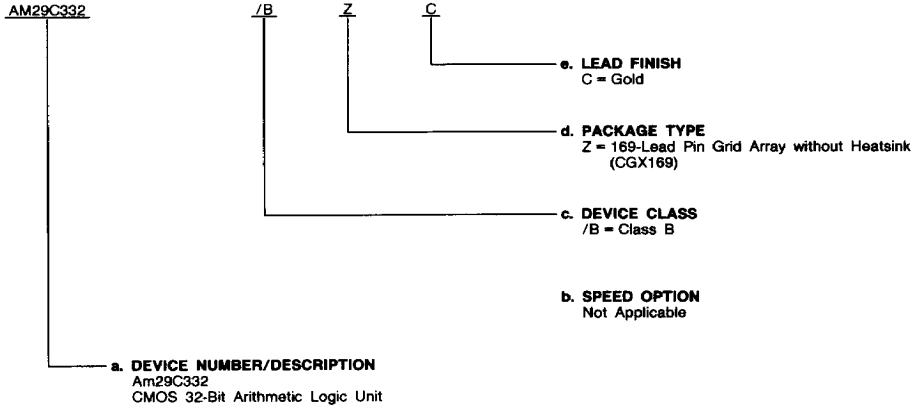
Valid Combinations list configurations planned to be supported in volume for this device. Consult the local AMD sales office to confirm availability of specific valid combinations, to check on newly released combinations, and to obtain additional data on AMD's standard military grade products.

ORDERING INFORMATION (Cont'd.)

APL Products

AMD products for Aerospace and Defense applications are available in several packages and operating ranges. APL (Approved Products List) products are fully compliant with MIL-STD-883C requirements. The order number (Valid Combination) for APL products is formed by a combination of:

- a. **Device Number**
- b. **Speed Option** (if applicable)
- c. **Device Class**
- d. **Package Type**
- e. **Lead Finish**



Valid Combinations	
AM29C332	/BZC

Valid Combinations

Valid Combinations list configurations planned to be supported in volume for this device. Consult the local AMD sales office to confirm availability of specific valid combinations or to check for newly released valid combinations.

Group A Tests

Group A tests include Subgroups
1, 2, 3, 7, 8, 9, 10, 11.

PIN DESCRIPTION

BOROW Borrow (Input)

When HIGH, the Carry In and Carry Out are borrows for subtract operations.

C, Z, N, V, L Status (Input/Output)

When the Register Status pin is LOW, these pins give the Carry, Zero, Negative, Overflow and Link outputs of the ALU where applicable to the instruction being executed. When not applicable to the instruction being executed, or when the Register Status pin is HIGH, these pins give the outputs of the Carry, Zero, Negative, Overflow and Link bits of the internal Status Register. In Slave mode, C, Z, N, V and L become inputs.

CP Clock Input (Input)

Clocks internal registers (status, Q) at the LOW to HIGH transition, provided HOLD input is LOW.

DA₀ - DA₃₁ Data Input for DA-bus (Input)

Data input lines for operand A.

DB₀ - DB₃₁ Data Input for DB-bus (Input)

Data input lines for operand B.

HOLD Hold (Input, Active HIGH)

When HIGH, it inhibits the update of the status and Q registers.

I₀ - I₆ Instruction Inputs (Input)

Used to select the operation to be performed.

I₇ - I₈ Byte Width Inputs (Input)

Byte width inputs for byte boundary aligned operand instructions. Selects the sources for width and position inputs for variable field bit operands. If I₇ is LOW it selects the width input from pins W₄ - W₀. If I₇ is HIGH the width input is selected from the internal width register. Similarly if I₈ is LOW it selects the position inputs from pins P₅ - P₀ and if HIGH it selects input from the internal position register.

MCIn Macro Status Carry (Input)

External Carry input.

MLINK Macro Status Link (Input)

External link input.

M/ \bar{m} Macro/Micro Select (Input)

When HIGH, selects macro carry and macro link pins as input instead of micro carry and micro link from the micro-status register.

MSERR Master-Slave Error (Output)

When HIGH, this signal indicates that the master's and slave's data were not identical.

\overline{OE} -Y Output Enable (Input, Active LOW)

When \overline{OE} -Y is HIGH the Y-bus is disabled (three-stated).

P₀ - P₅ Position Inputs (Input)

Position input to select the position of the least significant bit of a field. Also indicates the amount by which data is to be shifted up (P₅ = LOW) or down (P₅ = HIGH) or rotated.

PA₀ - PA₃ Parity Input for DA-bus (Input)

Parity input for operand A on DA-bus (one per byte). Even parity is used for the Am29C332.

PB₀ - PB₃ Parity Input for DB-bus (Input)

Parity input for operand B on DB-bus (one per byte).

PERR Parity Error (Input/Output)

When HIGH, indicates that a parity error was detected on the DA or DB inputs.

PY₀ - PY₃ Parity for Y-bus (Input/Output)

Parity output for data on Y-bus (one per byte). Even parity is used for the Am29C332. In slave mode, PY₀ - PY₃ become inputs.

RS Register Status Mode Pin (Input)

Selects between ALU status (Register Status = LOW) or register status (Register Status = HIGH) on the C, Z, N, V and L outputs.

SLAVE Slave (Input)

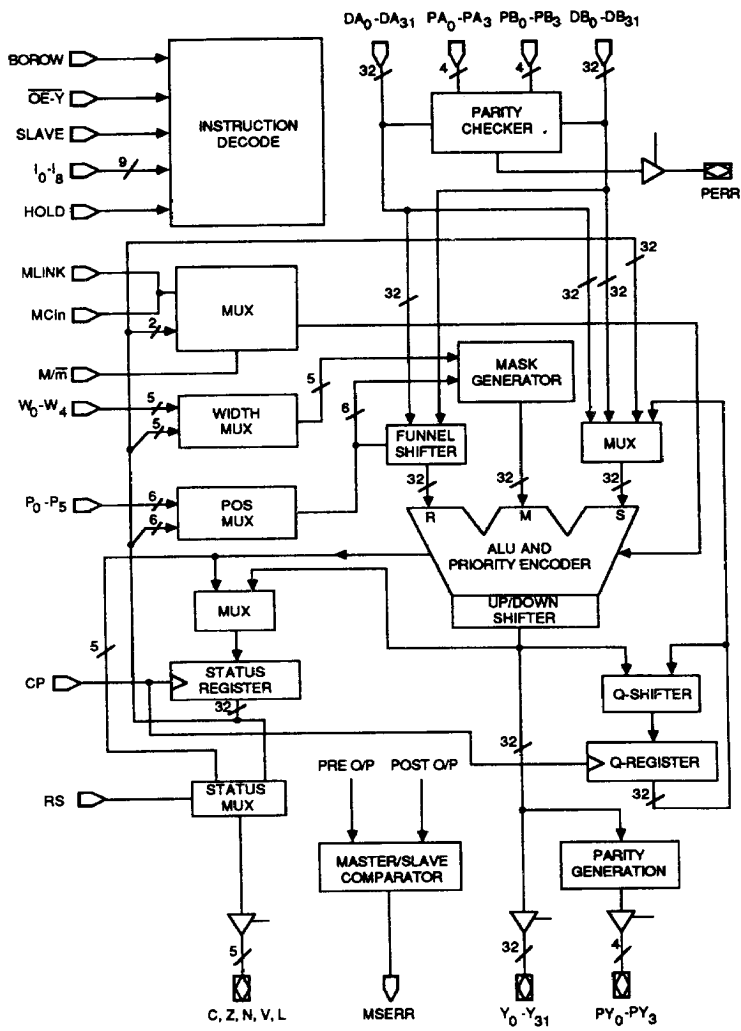
When HIGH, this pin puts the ALU in the slave mode. All output pins become input pins and signals on them are compared with the ALU's internally generated results. When \overline{OE} -Y is HIGH, the Y₀ - Y₃₁ and PY₀ - PY₃ inputs are ignored. When the SLAVE pin is LOW, the ALU is put in master mode where outputs are generated as normal.

W₀ - W₄ Width Inputs (Input)

Width input to select the width of a contiguous bit field.

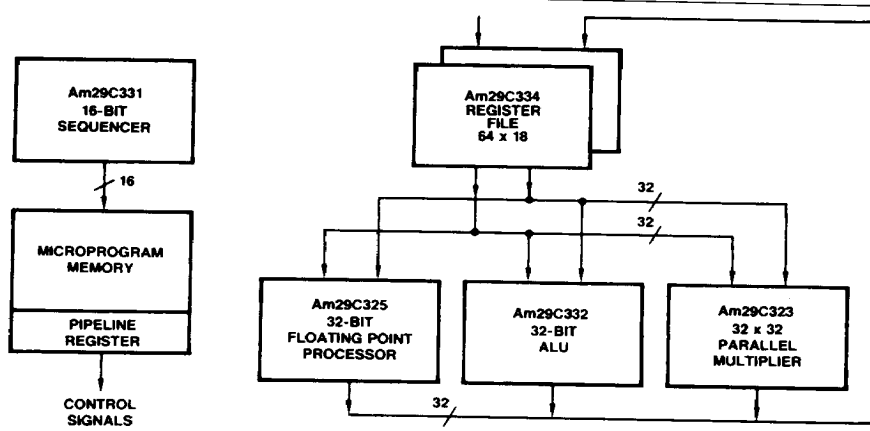
Y₀ - Y₃₁ Data Out/In Lines (Input/Output)

When \overline{OE} -Y is LOW and the ALU is in the Master mode, the ALU result is enabled on the Y-bus. When \overline{OE} -Y is HIGH, the Y-bus is three-stated. In Slave mode the Y-bus acts as external data input.



BD007031

Figure 1. Detailed Block Diagram



AF003484

Figure 2. Am29C332 Family High-Performance System Block Diagram

PRODUCT OVERVIEW

The Am29C332 is a 32-bit wide, high-performance, non-expandable Arithmetic Logic Unit (ALU). It has two 32-bit wide input ports (A and B) and one 32-bit wide output port (Y). These three ports provide flexibility and accessibility for high-performance processor designs. Dedicated input and output ports provide a flow-through architecture and avoid the penalty associated with switching the bus half-way through the cycle for input and output of data. The chip is designed for use with a dual-access RAM (Am29C334) as a register file. In addition, the three-bus architecture facilitates the connection of other arithmetic units in parallel with the Am29C332 for high-performance systems.

The Am29C332 supports one-, two-, three-, and four-byte arithmetic operations. It also supports multiprecision arithmetic and multiple bit shifts. For logical operations, it can handle variable-length fields of up to 32 bits. The chip incorporates dedicated hardware to allow efficient implementation of a two bit-at-a-time (modified Booth) multiply algorithm, supporting signed and unsigned arithmetic data types. Similarly, hardware is provided to support a bit-at-a-time divide algorithm, also supporting signed and unsigned arithmetic data types. An internal 32-bit register (Q) is used by the multiply and divide hardware for double precision operands. For business applications, the Am29C332 supports variable-length BCD arithmetic.

Field logical instructions operate on bit-fields taken from the A and B data inputs; they may be of variable width and starting position. A is normally the source input and B the destination input. In general, destination bits not falling within a specified field are passed by the ALU unchanged. Field width and position are specified either by direct inputs to the chip, or by entries in the status register. There are two kinds of field logical instructions - aligned and non-aligned. The first type of instruction assumes that source and destination fields are aligned and the operation is performed only for bits within the specified fields. In the second type of instruction, source and destination fields are normally non-aligned. However, it is always assumed that one field (either source or destination) is least-significant-bit (LSB) aligned.

If the destination field is LSB aligned then the source field is downshifted in order to make it LSB aligned as well. Down-

shifting is accomplished by making the 6-bit position input equal to the two's complement of the number of places the field is to be downshifted. If the source field is LSB aligned then it is upshifted in order to align it with the destination. Upshifting is accomplished by making the position inputs equal to the number of places the field is to be upshifted. Any other type of field operation is not allowed. Whenever the field crosses the word boundary, the portion not falling within the word boundary is ignored. This effect is useful when performing operations on fields that overlap two different words. Instructions to perform straightforward multiple-bit shifts (either up or down) are also provided. Additionally, it is possible to extract a bit-field from a word in one instruction, even if that field overlaps a word boundary.

The power and the flexibility of the processor comes partly from its ability to generate a mask to control the width of an operation for each instruction without any overhead. For all byte aligned instructions (three quarters of the instruction set), the mask is either 1, 2, 3 or 4 bytes wide and is generated from the byte width input (I₈ - I₇). For all field instructions the mask is of variable width and is generated from the position inputs (P₀ - P₅) and the width inputs (W₀ - W₄). Table 1 describes the position displacement from the position inputs and Table 2 the bit field from the width inputs.

TABLE 1. POSITION INPUTS AND BIT DISPLACEMENT

Inputs						Bit Displacement p
P ₅	P ₄	P ₃	P ₂	P ₁	P ₀	
0	0	0	0	0	0	0
0	0	0	0	0	1	1
0	0	0	0	1	0	2
⋮	⋮	⋮	⋮	⋮	⋮	⋮
0	1	1	1	1	1	31
1	0	0	0	0	0	-32
1	0	0	0	0	1	-31
⋮	⋮	⋮	⋮	⋮	⋮	⋮
1	1	1	1	1	1	-1

TABLE 2. WIDTH INPUTS AND BIT FIELD

Inputs					Bit Field w
W ₄	W ₃	W ₂	W ₁	W ₀	
0	0	0	0	0	32
0	0	0	0	1	1
0	0	0	1	0	2
⋮	⋮	⋮	⋮	⋮	⋮
1	1	1	1	1	31

Whenever the width of the operand is less than 32-bits, all unselected bits from the inputs of the ALU are passed to the output without any modification. Depending upon the instruction type, unselected bits are taken from different sources. For example in all single operand instructions, bits from the source operand (from either A or B input) are passed in unselected bit positions. For two operand instructions, bits from the B input are passed in unselected bit positions. There are some exceptions which are explained in the instruction set section.

The processor has a 32-bit status register to indicate the status of different operations performed. The status register is loaded at the rising edge of the clock with new status unless the HOLD signal is HIGH. The bit position for each status bit is given in the functional description. The least significant byte of the status register holds the six position bits (PR₀ – PR₅). The two most significant bits of this byte may be read or loaded but are otherwise unused by the ALU. The second byte (bits 8 to 15) consists of the five width bits (WR₀ – WR₄) and three read-only bits that are a combinational function of other status bits, and which indicate useful branch conditions. The third byte consists of ALU status bits plus bits for high-speed multiply and divide. The most significant byte holds intermediate nibble carries for BCD operations. An extract-status instruction is provided which allows a Boolean value to be formed from any selected bit. This is particularly useful in machines employing a stack architecture. Instructions to save and restore the status register are provided. As the entire status of each instruction is stored in the status register, interrupts at any microinstruction boundary are feasible.

The processor has a 32-bit wide priority encoder to support floating-point and graphics operations. The priority encoder supports all byte aligned data types – the result is dependent upon the byte width specified. The result of a priority encode is also loaded into the position bits of the status register. The result of the prioritize operation can then be used in the following clock cycle, e.g., to normalize a floating-point number or to help detect the edge of a polygon in graphics applications.

To support system diagnostics, the Am29C332 has a special "Master-Slave" mode. To use this mode, two chips are connected in parallel, and hence receive the same instructions and data. The master chip is used for the normal data path. However, in the slave chip, all outputs becomes inputs. The slave compares the outputs of the master with its own internally generated result. If the two do not match, the slave will activate an error signal.

As a further diagnostic aid, byte-wise parity checking is performed at both the A and B data inputs. The "parity" signal is activated if an error is detected. Parity bits (one per byte) are generated for the 32-bit output bus.

FUNCTIONAL DESCRIPTION

A detailed description of each functional block is given in the following paragraphs.

64-Bit Funnel Shifter

The 64-bit funnel shifter is a combinatorial network. The 64-bit input is formed from a combination of the A and B inputs. This may be left-shifted by up to 31 bits before being used by the ALU. The output of the shifter is the most significant 32 bits of the result. The 64-bit shifter can be used on either the A or B operands to perform barrel shifts (either up or down) or rotates. The operation is controlled by positioning operands properly at the input of the 64-bit up-shifter.

The number "n" by which the operand is shifted comes from two sources: the microprogram memory via the P₀ – P₅ pins or the internal register (byte 0 of the status register), PR₀ – PR₅, as selected by an instruction bit.

In general, the 6-bit position input, P₀ – P₅, takes a 6-bit two's complement number representing upshifts from 0 to 31 places (positive numbers) or downshifts from 1 to 32 places (negative numbers).

Mask Generator

The mask generator logic provides the ability to generate the appropriate mask for an operand of given width and position. The generation of the mask depends upon two types of instructions. The first type has byte boundary aligned operands (widths of either 1, 2, 3 or 4 bytes) with the least significant bit aligned to bit 0. The width of an operand is specified by the byte width inputs (I₈ and I₇) as shown in Table 3. The second type of instruction has operands of variable width (1 to 32 bits) and position. The operand is specified by the width inputs (W₀ – W₄) and the position inputs (P₀ – P₅) indicating the least significant bit position of the operand. Thus, in this type of instruction the operand may or may not be least significant bit aligned. Depending upon the type of instruction, the mask generator first generates a fence of all zeros starting from the least significant bit with the width specified either by the byte width or the width input fields. This fence can be upshifted by up to 31 bits by the 32-bit mask shifter. Whenever the mask is moved up over the 32-bit boundary, it does not wrap around. Instead, ONE's are inserted from the least significant end. This configuration provides the ability to operate on a contiguous field located anywhere in a word, or across a word boundary.

The mask generator can be used as a pattern generator by allowing the mask to pass through ALU (by using the PASS-MASK instruction). For example, a single-bit wide mask can be generated and by shifting it up by different amounts can give walking ONE or walking ZERO patterns for memory tests.

TABLE 3.

I ₈	I ₇	Width in Bytes
0	0	4
0	1	1
1	0	2
1	1	3

Arithmetic and Logical Unit

The ALU is a three input unit which uses the mask as a second or third operand in every instruction. The mask is used to merge two operands. For all selected bits (wherever the mask is 0), the desired operation specified by the instruction input is performed, and for all unselected bits either corresponding destination bits or zeros are passed through. The status of each operation (carry, negative, zero, overflow, link) applies to the result only over the specified width. For all byte aligned arithmetic and logical operations (first three quarters of the instruction set), the status is extracted from the appropriate

byte boundary. For all field operations (last quarter of the instruction set), the operand width is assumed to be 32 bits for status generation. The ZERO flag always indicates the status of all bits selected by the mask.

The actual width of the ALU is 34 bits. There are two extra bits used for the high speed signed and unsigned multiplication instructions. These two bits are automatically concatenated to the most-significant end of the ALU depending upon the width specified for the operation. Since the modified Booth algorithm requires a two-bit down-shift each cycle, these ALU bits generate the two most-significant bits of the partial product.

The ALU is capable of shifting data down by two bits for the multiplication algorithm, up by one bit for the divide algorithm and single-bit-up-shifts.

The processor is capable of performing BCD arithmetic on packed BCD numbers. The ALU has separate carry logic for BCD operations. This logic generates nibble carries (BCD digit carry) from propagate and generate signals formed from the A and B operands. In order to simplify the hardware while maintaining throughput, the BCD add and subtract operations are performed in two cycles. In the first cycle, ordinary binary addition or subtraction is performed and BCD nibble carries are generated. These are blocked from affecting the result at this stage, but are saved in the status register to be used later for BCD correction ($NC_0 - NC_7$). In the second cycle all BCD numbers are adjusted by examining the previously generated nibble carries. Since all the necessary information is stored in the status register, the processor can be interrupted after the first BCD cycle.

Priority Encoder

The priority encoder is provided to support floating-point arithmetic and some graphics primitives. The priority encoder takes up to 32 bits as input and generates a 5-bit wide binary code to indicate location of the most significant one in the operand. Input to the priority encoder comes from the input multiplexer, which masks all bits that the user does not want to participate in the prioritization. The priority encoder supports 8, 16, 24 and 32-bit operations depending upon the byte width specified. For each data type the priority encoder generates the appropriate binary weighted code. For example, when a byte width of two is specified ($I_7 - I_8 = 10$), the output of the encoder is zero when bit 15 is HIGH. However, if byte width of four is specified ($I_8 - I_7 = 00$), the output of encoder is 16 (decimal) if bit 15 is HIGH and bits 31 - 16 are LOW. Table 4 shows the output for each data type. If none of the inputs are HIGH or the most significant bit of the data type specified is HIGH, then the output is zero. The difference between these two cases is indicated by the Z-flag of the status register which is HIGH only if all inputs are zero.

Q-Register

The Q-register holds dividend and quotient bits for division, and multiplier and product bits for multiplication. During division, the contents of the Q-register are shifted left, a bit at a time, with quotient bits inserted into bit 0. During multiplication, the contents of the Q-register are shifted right, two bits at

a time, with product bits inserted into the most-significant two bits (according to the selected byte width). The Q-register may be loaded from the A or B inputs and read onto the Y bus.

Master-Slave Comparator

All ALU outputs (except MSERR) employ three-state buffers. The master-slave comparator compares the input and output of each buffer. Any difference causes the MSERR signal to be made true. In Slave mode, all output buffers are disabled. Outputs from a second ALU may then be connected to the equivalent pins of the first. The comparator in the slave will then detect any difference in the results generated by the two. When the Y bus is three-stated by making Output-Enable false, the Y bus master-slave comparators are disabled.

Parity Logic

For each byte of the DA and DB inputs there is an associated parity bit (8 in all). If a parity error is detected on any byte, the Parity-Error signal is made true. Four parity signals (one per byte) are also generated for the Y bus outputs. EVEN parity is employed for the Am29C332.

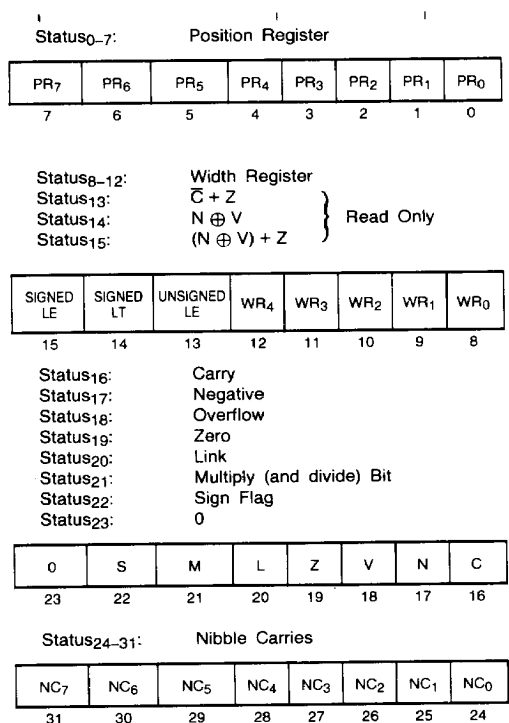
Status Register

All necessary information about operations performed in the ALU is stored in the 32-bit wide status register after every microcycle. Since the register can be saved, an interrupt can occur after any cycle. The status register can be loaded from either the A or B input of the chip and can be read out on the Y bus for saving in an external register file. For loading, the byte width indicates how many bytes are to be updated. The status register is only updated if the HOLD input is inactive.

Each byte of the status register holds different types of information (see Figure 3). The least significant byte (bits 0 to 7) holds eight position bits ($PR_0 - PR_7$) for the data shifter. The two most significant bits are not used. The next most significant byte (bits 8 to 15) holds the 5-bit width field ($WR_0 - WR_4$) for the mask generator. The three most-significant bits of that byte (bits 13 to 15) are read-only bits that represent three different conditions extracted from the other bits of the status register. They are $\bar{C} + Z$, $N \oplus V$, and $(N \oplus V) + Z$ for bits 13, 14 and 15 respectively. These bits can be read on the Y_0 pin by the extract-status instruction. The next byte contains all the necessary information generated by an ALU operation. The least-significant four bits (bits 16 to 19) hold carry, negative, overflow and zero flags. Bit 20 holds link information for single bit shifts and bits 21 and 22 are used by the multiply and divide instructions. The M flag holds the multiplier bit for the modified Booth algorithm or it holds the sign comparison result for the divide algorithm. The S flag holds the sign of the partial remainder for unsigned division. Both the flags (M and S) are provided as a part of the status register so that multiply and divide instructions can be interrupted at microinstruction boundaries. The most significant byte of the status register holds nibble carries for BCD arithmetic. Since BCD arithmetic is performed in two cycles, the nibble carries are saved in the first cycle and used in the second cycle. Since all the information is stored, BCD instructions are also interruptible at the microinstruction boundary.

TABLE 4.

Highest Priority Active Bit	Encoder Output
$I_7 - I_8 = 00$ (32-bit)	
None	0
31	0
30	1
29	2
28	3
.	.
.	.
1	30
0	31
$I_7 - I_8 = 01$ (8-bit)	
None	0
7	0
6	1
5	2
.	.
.	.
1	6
0	7
$I_7 - I_8 = 10$ (16-bit)	
None	0
15	0
14	1
13	2
12	3
.	.
.	.
1	14
0	15
$I_7 - I_8 = 11$ (24-bit)	
None	0
23	0
22	1
21	2
20	3
.	.
.	.
1	22
0	23



Note: Overflow is defined as follows:
 $V = (\text{carry in to MSB}) \oplus (\text{carry out of MSB})$

Figure 3. ALU Status Register Bit Assignment

Am29C332 INSTRUCTION SET

Data Types

The Am29C332 supports the following data types:

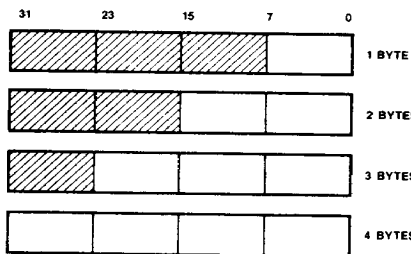
1. Integer
2. Binary-coded decimal
3. Variable-length bit field

The first two data types fall into the category of byte boundary aligned operands (Figure 4). The size of the operand could be 1 byte, 2 bytes, 3 bytes or 4 bytes. All operands are least significant bit (bit 0) aligned. The byte width is determined by bits I_8 and I_7 of the instruction as shown in Table 5.

TABLE 5.

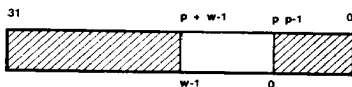
I_8	I_7	Width in Bytes
0	0	4
0	1	1
1	0	2
1	1	3

The third data type has operands of variable width (1 to 32 bits) as shown in Figure 4. The operand is specified by width inputs ($W_0 - W_4$) and position inputs ($P_0 - P_5$). The position inputs indicate the least significant bit position of the operand. Depending on bits I_8 and I_7 of the instruction, the width and position inputs can be selected from either the Status Register or the Width and Position Pins as shown in Table 6. A summary of the data types available is illustrated in Table 7.



TB000096

Byte Boundary Aligned Operands



TB000630

Variable-Length Bit Field

- p = Bit displacement of the least significant field with respect to bit 0.
 w = Width of bit field.

Figure 4. Data Types

TABLE 6.

I_8	I_7	Position		Width	
		Pins	Reg	Pins	Reg
0	0	X		X	
0	1	X			X
1	0		X	X	
1	1		X		X

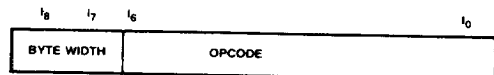
TABLE 7.

Data Type	Size	Range	
Integer		Signed	Unsigned
1 byte	8 bits	-128 to +127	0 to 255
2 bytes	16 bits	-2 ¹⁵ to +2 ¹⁵ - 1	0 to 2 ¹⁶ - 1
3 bytes	24 bits	-2 ²³ to 2 ²³ - 1	0 to 2 ²⁴ - 1
4 bytes	32 bits	-2 ³¹ to 2 ³¹ - 1	0 to 2 ³² - 1
BCD	1 to 4 bytes (8 digits)	Numeric, 2 digits per byte. Most-significant digit may be used for sign.	
Variable	1 to 32 bits	Dependent on position and width inputs.	

Instruction Format

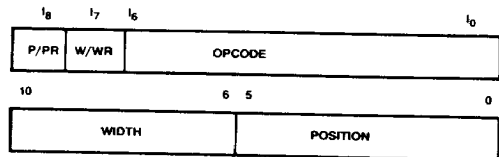
The Am29C332 has two types of Instruction Formats:

1. Byte Boundary Aligned Instructions (FORMAT 1):



TB000098

2. Variable-Length Field Bit Instructions (FORMAT 2):



TB000099

For instructions that allow a field to be shifted up or down, $P_0 - P_5$ is a two's-complement number in the range -32 to +31 representing the direction and magnitude of the shift. For instructions that assume a fixed field position, $P_0 - P_4$ represent the position of the least-significant bit of the field and P_5 is ignored.

Instruction Classification

ALU instructions can be classified as follows:

A. Byte Boundary Aligned Operand Instructions:

1. Arithmetic
 - Binary, BCD
 - Multiply steps
 - Division steps (single and multiple precision)
2. Prioritize
3. Logical
4. Single-bit shifts
5. Data movement

B. Variable-Length Bit Field Operand Instructions:

1. N-bit shifts and rotates
2. Bit manipulations
3. Field logical operations (aligned, non-aligned, extract)
4. Mask generation

Three-fourths of the ALU instructions apply to operands that are byte boundary aligned. For these instructions, two orthogonal issues are the width of the operand (in bytes) and the contents of the high order unselected bytes on the Y bus. As mentioned earlier, the width of the operand is specified by I_8 and I_7 . With the exception of a few instructions, the unselected bytes are assigned values as follows: for single operand instructions, unselected bytes are passed unchanged from the source (A or B). For two operand instructions, unselected bytes are passed unchanged from the destination (B input).

In the last quarter of the instruction set, the width of the operand is from 1 to 32 bits (based on the width input) for field operations, 32 bits for N-bit shift operations and 1-bit for bit-oriented operations. In the case of field-aligned and single-bit operands, the position bits ($P_0 - P_4$) determine the least significant bit of the operand. In the case of N-bit shifts and field non-aligned operands, the position bits $P_0 - P_5$ is a 6-bit signed integer determining the magnitude and direction of the shift.

Flags

Byte-Aligned Instructions

The zero flag always looks only at the selected bytes:

$$Z = (Y \text{ and bytemask (byte width)} = 0)$$

Similarly, $N = \text{sign bit (Y, byte width)}$, where the function "sign-bit" returns bit 7, 15, 23, or 31 of the first argument for byte widths 01, 10, 11, or 00 respectively.

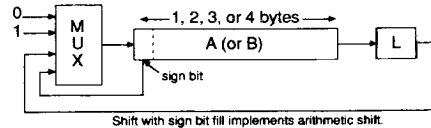
Also, $C = \text{carry (byte width)}$ returns the carry from the appropriate byte boundary, and:

$$V = \text{overflow (byte width)} = (\text{carry into MSB}) \oplus (\text{carry out of MSB})$$

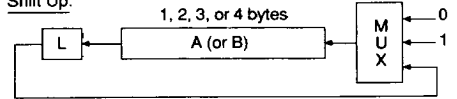
returns the overflow from the appropriate byte boundary.

The link (L) flag is generally loaded with the bit moved out of the highest selected byte in the case of upshifts, or the bit moved out of the least significant byte for downshifts. Figure 5 shows the shift operation using link bit. Other status flags have specialized uses, explained in the following sections.

Shift Down:



Shift Up:



DF006190

Figure 5. Uphift/Downshift Using Link Bit

Variable-Length Field Instruction:

Generally, only N and Z are affected. N takes the most-significant bit of the 32-bit result (i.e., $N = Y_{31}$). Z detects zeros in the selected field of the result (i.e., $Z = (Y \text{ and bitmask (position, width)} = 0)$).

Output Select

The Register Status pin, RS, may be used to switch the C, Z, N, V, and L output pins between the direct output of the ALU and the outputs of the corresponding bits in the status register. If the direct status output is selected, then for instructions that do not affect a particular flag (e.g., carry for logical arithmetic) that output will reflect the state of its corresponding bit in the status register. Similarly, when the HOLD signal is made HIGH, the C, Z, N, V and L pins will be made equal to the contents of the status register, regardless of the RS input.

INSTRUCTION SET SUMMARY

Operand Size: Variable Byte Width: 1, 2, 3, 4 Bytes

Type	Operation	Data Type
Arithmetic	<ul style="list-style-type: none"> ● Increment by one, two, four ● Decrement by one, two, four ● Add, addc (carry = macro/micro) ● Sub, subr ● Subc, subrc (carry/borrow) ● BCD sum and difference correct steps 	Binary Integer and BCD
	<ul style="list-style-type: none"> ● Negate (two's complement) ● Multiply steps (modified Booth) ● Divide steps (non-restoring) <div style="text-align: right; margin-right: 20px;">} (Signed and unsigned)</div>	Binary Integer
Prioritize	<ul style="list-style-type: none"> ● Prioritize 	Binary
Logical	<ul style="list-style-type: none"> ● Not, OR, AND, XOR, XNOR, zero, sign 	Binary
Single-Bit Shifts	<ul style="list-style-type: none"> ● Upshift with 0, 1, link fill ● Downshift with 0, 1, link, sign fill <div style="text-align: right; margin-right: 20px;">} (Single and double precision)</div>	Binary
Data Movement	<ul style="list-style-type: none"> ● Zero extend ● Sign extend ● Pass-status, Q-Reg ● Load-status, Q-Reg ● Merge 	Binary

Operand Size: 32 Bits		
Type	Operation	Data Type
N-Bit Shifts N-Bit Rotates	<ul style="list-style-type: none"> ● Upshift by 0 to 31 bits with 0 fill ● Downshift by 1 to 32 bits with 0, sign fill ● Rotate by 0 to 31 bits 	Binary

Operand Size: Single Bit		
Type	Operation	Data Type
Bit Manipulation	<ul style="list-style-type: none"> ● Extract ● Set ● Reset 	Binary

Operand Size: Variable Length Bitfield: 1 to 32 Bits		
Type	Operation	Data Type
Field Logical (aligned and non-aligned)	<ul style="list-style-type: none"> ● Not, OR, XOR, AND, extract, insert 	Binary
Mask	<ul style="list-style-type: none"> ● Pass-mask 	Binary

INSTRUCTION SET GLOSSARY
(Sorted by Opcode in Hex Notation)

Opcode	Name	Opcode	Name	Opcode	Name	Opcode	Name
00	ZERO-EXTA	20	DN1-0F-A	40	AND	60	NB-SN-SHA
01	ZERO-EXTB	21	DN1-0F-B	41	XNOR	61	NB-SN-SHB
02	SIGN-EXTA	22	DN1-0F-AQ	42	ADD	62	NB-OF-SHA
03	SIGN-EXTB	23	DN1-0F-BQ	43	ADDC	63	NB-OF-SHB
04	PASS-STAT	24	DN1-1F-A	44	SUB	64	NBROT-A
05	PASS-Q	25	DN1-1F-B	45	SUBC	65	NBROT-B
06	LOADQ-A	26	DN1-1F-AQ	46	SUBR	66	EXTBIT-A
07	LOADQ-B	27	DN1-1F-BQ	47	SUBRC	67	EXTBIT-B
08	NOT-A	28	DN1-LF-A	48	SUM-CORR-A	68	SETBIT-A
09	NOT-B	29	DN1-LF-B	49	SUM-CORR-B	69	SETBIT-B
0A	NEG-A	2A	DN1-LF-AQ	4A	DIFF-CORR-A	6A	RSTBIT-A
0B	NEG-B	2B	DN1-LF-BQ	4B	DIFF-CORR-B	6B	RSTBIT-B
0C	PRIOR-A	2C	DN1-AR-A	4C	-	6C	SETBIT-STAT
0D	PRIOR-B	2D	DN1-AR-B	4D	-	6D	RSTBIT-STAT
0E	MERGEA-B	2E	DN1-AR-AQ	4E	SDIVFIRST	6E	NOTF-AL-B
0F	MERGB-A	2F	DN1-AR-BQ	4F	UDIVFIRST	6F	PASSF-AL-B
10	DECR-A	30	UP1-0F-A	50	SDIVSTEP	70	NOTF-A
11	DECR-B	31	UP1-0F-B	51	SDIVLAST1	71	NOTF-AL-A
12	INCR-A	32	UP1-0F-AQ	52	MPDIVSTEP1	72	PASSF-A
13	INCR-B	33	UP1-0F-BQ	53	MPSDIVSTEP3	73	PASSF-AL-A
14	DECR2-A	34	UP1-1F-A	54	UDIVSTEP	74	ORF-A
15	DECR2-B	35	UP1-1F-B	55	UDIVLAST	75	ORF-AL-A
16	INCR2-A	36	UP1-1F-AQ	56	MPDIVSTEP2	76	XORF-A
17	INCR2-B	37	UP1-1F-BQ	57	MPUDIVSTP3	77	XORF-AL-A
18	DECR4-A	38	UP1-LF-A	58	REMCORR	78	ANDF-A
19	DECR4-B	39	UP1-LF-B	59	QUOCORR	79	ANDF-AL-A
1A	INCR4-A	3A	UP1-LF-AQ	5A	SDIVLAST2	7A	EXTF-A
1B	INCR4-B	3B	UP1-LF-BQ	5B	UMULFIRST	7B	EXTF-B
1C	LDSTAT-A	3C	ZERO	5C	UMULSTEP	7C	EXTF-AB
1D	LDSTAT-B	3D	SIGN	5D	UMULLAST	7D	EXTF-BA
1E	-	3E	OR	5E	SMULSTEP	7E	EXTBIT-STAT
1F	-	3F	XOR	5F	SMULFIRST	7F	PASS-MASK

TABLE 6-1. DATA MOVEMENT INSTRUCTIONS

Mnemonics	Code	Description	Y Output		Status						
			Unsel	Sel	S	M	L	Z	V	N	C
ZERO-EXTA	00	Zero Extend	0	A				*		*	
ZERO-EXTB	01		0	B				*		*	
SIGN-EXTA	02	Sign Extend	Sign	A				*		*	
SIGN-EXTB	03		Sign	B				*		*	
MERGEA-B	0E	Merge A with B	B	A Merge B				*		*	
MERGEB-A	0F	Merge B with A	A	B Merge A				*		*	

TABLE 6-2. DATA MOVEMENT INSTRUCTIONS

Mnemonics	Code	Description	Y Output		Status Register	Status						
			Unsel	Sel		S	M	L	Z	V	N	C
PASS-STAT	04	Pass Status Register	B	S								
LDSTAT-A	1C	Load Status Register	S	A	A	+	+	+	+	+	+	+
LDSTAT-B	1D		S	B	B	+	+	+	+	+	+	+

TABLE 6-3. DATA MOVEMENT INSTRUCTIONS

Mnemonics	Code	Description	Y Output		Q Register	Status						
			Unsel	Sel		S	M	L	Z	V	N	C
PASS-Q	05	Pass Q Register	B	Q								
LOADQ-A	06	Load Q	Q	A	A				*		*	
LOADQ-B	07		Q	B	B				*		*	

Note: 1. These instructions use the byte aligned instruction format (FORMAT 1).

Legend: Unsel = Unselected Byte(s)
 Sel = Selected Byte(s)
 A = A Input
 B = B Input
 Q = Q Register
 + = Updated only if byte width is 3 or 4
 * = Updated

Examples:

2, ZERO EXTB Pass lower two bytes of B to Y with zero fill on upper two bytes
 0, LOADQ-A Load all four bytes of A into Q Register pass updated Q Register to Y

TABLE 7. LOGICAL INSTRUCTIONS

Mnemonics	Code	Description	Y Output		Status							
			Unsel	Sel	S	M	L	Z	V	N	C	
NOT-A	08	One's Complement	A	\bar{A}				*		*		
NOT-B	09		B	\bar{B}				*		*		
ZERO	3C	Pass Zero	B	0				1		0		
SIGN	3D	Pass Sign	B	$0(N=0); -1(N=1)$				N				
OR	3E	OR	B	A OR B				*		*		
XOR	3F	EXOR	B	A XOR B				*		*		
AND	40	AND	B	A AND B				*		*		
XNOR	41	XNOR	B	A XNOR B				*		*		

Note: 1. These instructions use the byte aligned instruction format (FORMAT 1).

Legend: Unsel = Unselected Byte(s)
 Sel = Selected Byte(s)
 A = A Input
 B = B Input
 Q = Q Register
 * = Updated

Examples:

- 2, NOT-A Complement low order two bytes of A and output to Y with high order two bytes of A uncomplemented.
- 1, AND AND first byte of A and B. Output to Y with high three bytes of B.

TABLE 8-1. SINGLE-BIT SHIFT INSTRUCTIONS (SINGLE PRECISION)

Mnemonics	Code	Description	Y Output		Status							
			Unsel	Sel	S	M	L	Z	V	N	C	
DN1-0F-A	20	Downshift, Zero Fill	A	$Y_i = A_{i+1}, Y_{msb} = 0$			*	*		*		
DN1-0F-B	21		B	$Y_i = B_{i+1}, Y_{msb} = 0$			*	*		*		
DN1-1F-A	24	Downshift, One Fill	A	$Y_i = A_{i+1}, Y_{msb} = 1$			*	*		*		
DN1-1F-B	25		B	$Y_i = B_{i+1}, Y_{msb} = 1$			*	*		*		
DN1-LF-A	28	Downshift, Link Fill	A	$Y_i = A_{i+1}, Y_{msb} = L$			*	*		*		
DN1-LF-B	29		B	$Y_i = B_{i+1}, Y_{msb} = L$			*	*		*		
DN1-AR-A	2C	Downshift, Sign Fill	A	$Y_i = A_{i+1}, Y_{msb} = N$			*	*		*		
DN1-AR-B	2D		B	$Y_i = B_{i+1}, Y_{msb} = N$			*	*		*		
UP1-0F-A	30	Upshift, Zero Fill	A	$Y_i = A_{i-1}, Y_0 = 0$			*	*	*	*		
UP1-0F-B	31		B	$Y_i = B_{i-1}, Y_0 = 0$			*	*	*	*		
UP1-1F-A	34	Upshift, One Fill	A	$Y_i = A_{i-1}, Y_0 = 1$			*	*	*	*		
UP1-1F-B	35		B	$Y_i = B_{i-1}, Y_0 = 1$			*	*	*	*		
UP1-LF-A	38	Upshift, Link Fill	A	$Y_i = A_{i-1}, Y_0 = L$			*	*	*	*		
UP1-LF-B	39		B	$Y_i = B_{i-1}, Y_0 = L$			*	*	*	*		

Note: 1. These instructions use the byte aligned instruction format (FORMAT 1).

Example:

- 2, UP1-1F-A Shift lower two bytes of A up one bit. Set LSB to 1. Fill unselected bytes to upper two bytes of A.

TABLE 8-2. SINGLE-BIT SHIFT INSTRUCTIONS (DOUBLE PRECISION)

Mnemonics	Code	Description	Y Output & Q Register	Status						
			Selected Bytes	S	M	L	Z	V	N	C
DN1-0F-AQ	22	Downshift, Zero Fill	0 → A → Q 2)			*	*		*	
DN1-0F-BQ	23		0 → B → Q 3)			*	*		*	
DN1-1F-AQ	26	Downshift, One Fill	1 → A → Q 2)			*	*		*	
DN1-1F-BQ	27		1 → B → Q 3)			*	*		*	
DN1-LF-AQ	2A	Downshift, Link Fill	L → A → Q 2)			*	*		*	
DN1-LF-BQ	2B		L → B → Q 3)			*	*		*	
DN1-AR-AQ	2E	Downshift, Sign Fill	N → A → Q 2)			*	*		*	
DN1-AR-BQ	2F		N → B → Q 3)			*	*		*	
UP1-0F-AQ	32	Upshift, Zero Fill	A ← Q ← 0 2)			*	*	*	*	
UP1-0F-BQ	33		B ← Q ← 0 3)			*	*	*	*	
UP1-1F-AQ	36	Upshift, One Fill	A ← Q ← 1 2)			*	*	*	*	
UP1-1F-BQ	37		B ← Q ← 1 3)			*	*	*	*	
UP1-LF-AQ	3A	Upshift, Link Fill	A ← Q ← L 2)			*	*	*	*	
UP1-LF-BQ	3B		B ← Q ← L 3)			*	*	*	*	

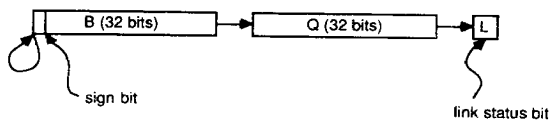
Notes: 1. These instructions use the byte aligned instruction format (FORMAT 1).
 2. Y Unselected byte from A, Q Unselected byte unchanged.
 3. Y Unselected byte from B, Q Unselected byte unchanged.

Legend: Unsel = Unselected Byte(s)
 Sel = Selected Byte(s)
 A = A Input
 B = B Input
 Q = Q Register
 * = Updated

Example:

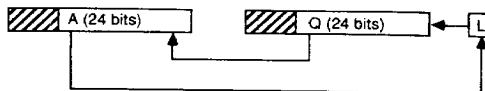
0, DN1-AR-BQ

Shift 64 bits (all 32 bits of both B and Q) down by one bit. LSB of B fills MSB of Q. MSB of B set to sign bit (bit N of status register).



3, UP1-LF-AQ

Shift 48 bits (24-bits of A and 24-bits of Q) up by one bit. MSB of 24-bit Q fills LSB of A. MSB of 24-bit A sets link status bit. LSB of Q is filled with original link value.



DF006200

TABLE 9. PRIORITIZE INSTRUCTIONS

Mnemonics	Code	Description	Y Output	Status						
				S	M	L	Z	V	N	C
PRIOR-A	0C	Prioritization	Location of Highest 1 Bit				*			
PRIOR-B	0D						*			

- Notes: 1. These instructions use the byte aligned instruction format (FORMAT 1).
 2. Priority also loaded into STATUS <7:0>
 3. Refer to Table 4.

Legend: A = A Input
 B = B Input
 Q = Q Register
 * = Updated

Example:

3, PRIOR-A Value placed on Y is 2

Assume A is

01001011	00100010	00000000	00000000
----------	----------	----------	----------

TABLE 10-1. ARITHMETIC INSTRUCTIONS

Mnemonics	Code	Description	Y Output		Status						
			Unsel	Sel	S	M	L	Z	V	N	C
NEG-A	0A	Two's Complement	A	$\bar{A} + 1$				*	*	*	*
NEG-B	0B		B	$\bar{B} + 1$				*	*	*	*
INCR-A	12	Increment by One	A	A + 1				*	*	*	*
INCR-B	13		B	B + 1				*	*	*	*
INCR2-A	16	Increment by Two	A	A + 2				*	*	*	*
INCR2-B	17		B	B + 2				*	*	*	*
INCR4-A	1A	Increment by Four	A	A + 4				*	*	*	*
INCR4-B	1B		B	B + 4				*	*	*	*
DECR-A	10	Decrement by One	A	A - 1				*	*	*	*
DECR-B	11		B	B - 1				*	*	*	*
DECR2-A	14	Decrement by Two	A	A - 2				*	*	*	*
DECR2-B	15		B	B - 2				*	*	*	*
DECR4-A	18	Decrement by Four	A	A - 4				*	*	*	*
DECR4-B	19		B	B - 4				*	*	*	*

- Notes: 1. These instructions use the byte aligned instruction format (FORMAT 1).
 2. Borrow, rather than carry, is generated if BORROW is HIGH (borrow = carry).
 3. Nibble bits are set by these instructions. NEG-A (or NEG-B) and DIFF-CORR may be used to form 10's complement of a BCD number. Use SUM-CORR (for increment) or DIFF-CORR (for decrement) to increment or decrement a BCD number.

Legend: Unsel = Unselected Byte(s)
 Sel = Selected Byte(s)
 A = A Input
 B = B Input
 Q = Q Register
 * = Updated

Example:

2. DECR4-A Decrement lower two bytes of A by 4

TABLE 10-2. ARITHMETIC INSTRUCTIONS

Mnemonics	Code	Description	Y Output		Status						
			Unsel	Sel	S	M	L	Z	V	N	C
ADD	42	Add	B	A + B				*	*	*	*
ADDC	43	Add with Carry	B	A + B + C 6)				*	*	*	*
SUB	44	Subtract	B	A + \bar{B} + 1				*	*	*	*
SUBR	46		B	B + \bar{A} + 1				*	*	*	*
SUBC	45	Subtract with Carry	B	A + \bar{B} + 1 + C 2) 6)				*	*	*	*
SUBRC	47		B	B + \bar{A} + 1 + C 2) 6)				*	*	*	*
SUM-CORR-A	48	Correct BCD Nibbles for Addition	A	Corrected A 3)				*	*	*	*
SUM-CORR-B	49		B	Corrected B 3)				*	*	*	*
DIFF-CORR-A	4A	Correct BCD Nibbles for Subtraction	A	Corrected A 3)				*	*	*	*
DIFF-CORR-B	4B		B	Corrected B 3)				*	*	*	*

- Notes: 1. These instructions use the byte aligned instruction format (FORMAT 1).
 2. BOROW is LOW. For subtract operations, a borrow rather than a carry is stored in STATUS if BOROW is HIGH. Carry is always generated for ADD regardless of BOROW.
 3. First, the nibble carries $NC_0 - NC_7$ are tested. Any nibble carry/borrow that is set to 1 generates "6" internally as a correction word and then the correction word is added (SUM-CORR-) or subtracted (DIFF-CORR-) from the operand. $NC_0 - NC_7$ are not affected by this operation.
 4. Use SUM-CORR or DIFF-CORR to add or subtract a BCD number.
 5. Use ADDC, SUBC, or SUBRC to perform operations on integers longer than 32 bits.
 6. Carry bit is obtained from MCin if M/\bar{m} is HIGH. Otherwise, carry is obtained from the C status bit.

Legend: Unsel = Unselected Byte(s)
 Sel = Selected Byte(s)
 A = A Input
 B = B Input
 Q = Q Register

* = Updated only if byte width is 3 or 4

Example:

0, ADD Add two 32-bit two's-complement integers

TABLE 11-1. DIVIDE INSTRUCTIONS (Aligned Format)

Name	16 - 10 Code	Description	Source for Unselected Bytes	Output	Status						
					S	M	L	Z	V	N	C
Signed Divide Steps											
SDIVFIRST	4 E	First Instruction for Signed Divide	B	Y, Q	*	*	*	*	*	*	*
SDIVSTEP	5 0	Iterate Step (#bits - 1 times)	B	Y, Q	*	*	*	*	*	*	*
SDIVLAST1	5 1	Last Divide Instruction Unless	B	Y, Q	*	*	*	*	*	*	*
SDIVLAST2	5 A	Dividend & Remainder Negative	B	Y				*			
Unsigned Divide Steps											
UDIVFIRST	4 F	First Instruction for Unsigned Divide	B	Y, Q			*	*	*	*	*
UDIVSTEP	5 4	Iterate Step (#bits - 1 times)	B	Y, Q	*	*	*	*	*	*	*
UDIVLAST	5 5	Last Instruction	B	Y, Q	0	*	*	*	*	*	*
Multiprecision Divide Steps											
MPDIVSTEP1	5 2	First Instruction	B	Y, Q							
MPDIVSTEP2	5 6	Executed 0 Times for Double	B	Y, Q							
MPSDIVSTEP3	5 3	Last Instruction of Inner Loop	B	Y, Q							
MPUDIVSTP3	5 7	Used for Unsigned Divide	B	Y, Q							
Correction Steps											
REMCORR	5 8	Correct Remainder After Divide	B	Y							*
QUOCORR	5 9	Correct Quotient After Divide	B	Y					*		*

TABLE 11-2. EXAMPLE CODING FORM (Signed Division)

Am29C331				Am29C332				Am29C334			Am29C332 Y-Out
OP	Branch	Cond Select	Multi Sel	B/W	OP	Width	Position	A-IN	B-IN	Y-OUT	
CONT				2	LOADQ-A			R2			1
CONT				0	SIGN					R3	0
FOR_D	15			2	SDIVFIRST			R4	R3	R3	0
DJMP_S				2	SDIVSTEP			R4	R3	R3	0
CONT				2	SDIVLAST1			R4	R3	R3	0
BRCC_D	DONE	Z									1
CONT				2	SDIVLAST2A			R4	R3	R3	0
CONT				2	PASS-Q					R1	0
CONT				2	QUOCORR				R1	R1	0
CONT				2	REMCORR			R4	R3	R3	0

Note: Divisor in A, Dividend in A
Quotient in Q, Remainder in B

Legend: A = A Input
B = B Input
S = Status Register
Q = Q Register
R1 = Quotient
R2 = Dividend
R3 = Remainder
R4 = Divisor

TABLE 12-1. MULTIPLY INSTRUCTIONS (Aligned Format)

Name	I ₆ -I ₀ Code	Description	Source for Unselected Bytes	Output	Status						
					S	M	L	Z	V	N	C
Signed Multiply Steps											
SMULFIRST	5 F	First multiply instruction	B	Y ⁽¹⁾							
SMULSTEP	5 E	Iterate step (#bits/2 - 1 steps)	B	Y ⁽¹⁾							
Unsigned Multiply Steps											
UMULFIRST	5 B	First multiply instruction	B	Y ⁽¹⁾		*					
UMULSTEP	5 C	Iterate step (#bits/2 - 1 steps)	B	Y ⁽¹⁾		*					
UMULLAST	5 D	Last multiply instruction	B	Y ⁽¹⁾				*			

TABLE 12-2. EXAMPLE CODING FORM (Unsigned Multiply)

Am29C331				Am29C332				Am29C334			Am29C332 Y-Out
OP	Branch	Cond Select	Multi Sel	B/W	OP	Width	Position	A-IN	B-IN	Y-OUT	
CONT				3	ZERO				R3	R3	0
CONT				3	LOADQ-A			R1			1
FOR_D	11 ₁₀			3	ULMULFIRST			R2	R3	R3	0
DJMP__S				3	UMULSTEP			R2	R3	R3	0
CONT				3	UMULLAST			R2	R3	R3	0
CONT				3	PASS-Q					R4	0

Note: 1. Put ALU output in B.
 2. Multiplicand in A, Multiplier in Q
 Product (HIGH) in B, Product (LOW) in Q

Legend: A = A Input
 B = B Input
 S = Status Register
 Q = Q Register
 R1 = Multiplier
 R2 = Multiplicand
 R3 = Product (HIGH)
 R4 = Product (LOW)

TABLE 13. SHIFT/ROTATE INSTRUCTIONS

Mnemonics	Code	Description	Y Output	Status						
				S	M	L	Z	V	N	C
NB-OF-SHA	62	Field Shift, Zero Fill	$Y_{i+p} = A_i, 0$ 2)				*	*		
NB-OF-SHB	63		$Y_{i+p} = B_i, 0$ 2)				*	*		
NB-SN-SHA	60	Field Shift, Sign Fill	$Y_{i+p} = A_i, N$ 2)				*	*		
NB-SN-SHB	61		$Y_{i+p} = B_i, N$ 2)				*	*		
NBROT-A	64	Field Rotate	$Y_i = A_{(i-p) \bmod 32}$ 3)				*	*		
NBROT-B	65		$Y_i = B_{(i-p) \bmod 32}$ 3)				*	*		

- Notes: 1. These instructions use the field instruction format (FORMAT 2).
 2. "p" stands for bit displacement from P₀-P₅ or from PR₀-PR₅ (-32 ≤ p < 31).
 If p is positive, Y_{p-1} to Y₀ are equal to the fill bit.
 If p is negative, Y₃₁ to Y_{31+p+1} are equal to the fill bit.
 3. The sign of the position input is ignored for this instruction and P₀-P₄ are treated as a positive magnitude for a circular upshift.

Legend: A = A Input
 B = B Input
 Q = Q Register
 * = Updated

Examples: *
 NB-OF-SHA,,4 Shift A up 4 bits and zero fill
 NB-OF-SHB,-17 Shift B down 17 bits and sign fill

*Width field not used

TABLE 14-1. BIT-MANIPULATION INSTRUCTIONS

Mnemonics	Code	Description	Y Output		Status						
			Unsel	Sel	S	M	L	Z	V	N	C
SETBIT-A	68	Bit Set	A	$Y_i = A_i, Y_p = 1$				*	*		
SETBIT-B	69		B	$Y_i = B_i, Y_p = 1$				*	*		
RSTBIT-A	6A	Bit Reset	A	$Y_i = A_i, Y_p = 0$				*	*		
RSTBIT-B	6B		B	$Y_i = B_i, Y_p = 0$				*	*		
EXTBIT-A	66	Bit Extract	0	if p > 0, Y ₀ = A _p 2) if p < 0, Y ₀ = A _p				*	*		
EXTBIT-B	67		0	if p > 0, Y ₀ = B _p 2) if p < 0, Y ₀ = B _p				*	*		
EXTBIT-STAT	7E		0	if p > 0, Y ₀ = S _p 2) if p < 0, Y ₀ = S _p				*			

- Notes: 1. These instructions use the field instruction format (FORMAT 2).
 2. Y₃₁ to Y₁ are set to zero. "p" stands for the bit displacement from P₀-P₄ or from PR₀-PR₅. The sign of the position input is ignored.

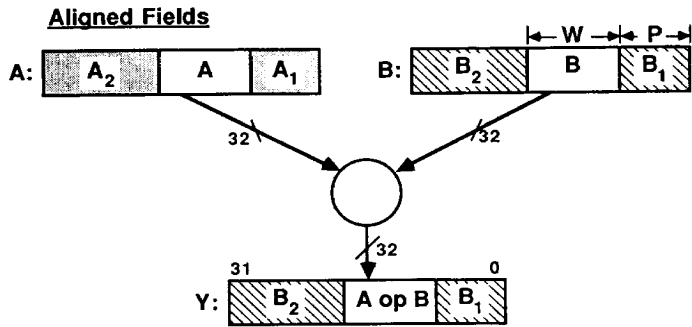
TABLE 14-2. BIT-MANIPULATION INSTRUCTIONS

Mnemonics	Code	Description	Status Register	Y Output	Status						
					S	M	L	Z	V	N	C
SETBIT-STAT	6C	Status Bit Set	S _p = 1	S	*	*	*	*	*	*	*
RSTBIT-STAT	6D		S _p = 0	S	*	*	*	*	*	*	*

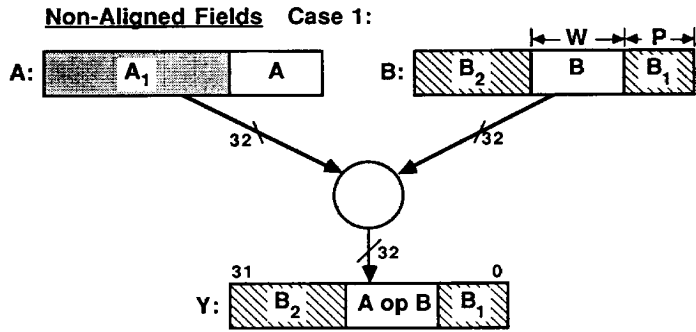
- Notes: 1. These instructions use the Field instruction format (FORMAT 2).
 2. "p" stands for the bit displacement from P₀-P₅ or from PR₀-PR₅.

Legend: Unsel = Unselected field
 Sel = Selected field
 A = A Input
 B = B Input
 Q = Q Register
 * = Updated

Examples:
 RSTBIT-B,,3 3rd bit is set to 0 in B
 EXTBIT-STAT,-4 4th bit in status register is extracted and inverted.

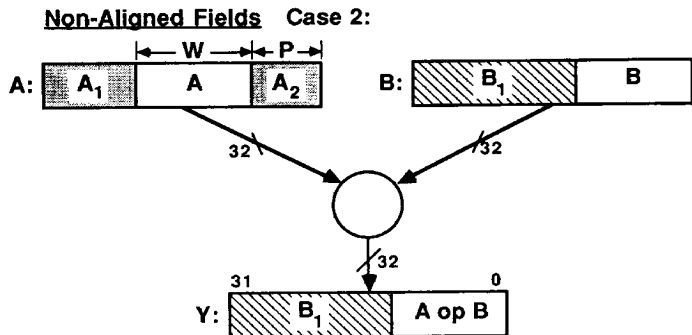


LD000140



If position $(P_0 - P_5) \geq 0$, A is LSB aligned
Width $(W_0 - W_4) = 1$ to 32

LD000151



If position $(P_0 - P_5) < 0$, B is LSB aligned
Width $(W_0 - W_5) = 1$ to 32

LD000161

Figure 6. Field Logical Operations

TABLE 15. FIELD LOGICAL INSTRUCTIONS

Mnemonics	Code	Description		Y Output		Status					
				Unsel	Set	S	M	L	Z	V	N
PASSF-AL-A	73	Field Pass	3)	B	$Y_i = A_i$				*	*	
PASSF-AL-B	6F		3)	B	$Y_i = B_i$				*	*	
PASSF-A	72		4)	B	if $p \geq 0, Y_i = A_{i-p}$ if $p < 0, Y_{i-p} = A_i$				*	*	
NOTF-AL-A	71	Field Complement	3)	B	$Y_i = \bar{A}_i$				*	*	
NOTF-AL-B	6E		3)	B	$Y_i = \bar{B}_i$				*	*	
NOTF-A	70		4)	B	if $p \geq 0, Y_i = \bar{A}_{i-p}$ if $p < 0, Y_{i-p} = \bar{A}_i$				*	*	
ORF-AL-A	75	Field OR	3)	B	$Y_i = A_i \text{ OR } B_i$				*	*	
ORF-A	74		4)	B	if $p \geq 0, Y_i = A_{i-p} \text{ OR } B_i$ if $p < 0, Y_{i-p} = A_i \text{ OR } B_{i-p}$				*	*	
XORF-AL-A	77	Field XOR	3)	B	$Y_i = A_i \text{ XOR } B_i$				*	*	
XORF-A	76		4)	B	if $p \geq 0, Y_i = A_{i-p} \text{ XOR } B_i$ if $p < 0, Y_{i-p} = A_i \text{ XOR } B_{i-p}$				*	*	
ANDF-AL-A	79	Field AND	3)	B	$Y_i = A_i \text{ AND } B_i$				*	*	
ANDF-A	78		4)	B	if $p \geq 0, Y_i = A_{i-p} \text{ AND } B_i$ if $p < 0, Y_{i-p} = A_i \text{ AND } B_{i-p}$				*	*	
EXTF-A	7A	Field Extract	4) 5)	0	if $p \geq 0, Y_i = A_{i-p}$ if $p < 0, Y_{i-p} = A_i$				*	*	
EXTF-B	7B			0	if $p \geq 0, Y_i = B_{i-p}$ if $p < 0, Y_{i-p} = B_i$				*	*	
EXTF-AB	7C		0	6)				*	*		
EXTF-BA	7D		0	7)				*	*		

Notes: 1. These instructions use the field instruction format (FORMAT 2).

- $p \leq i \leq p + w - 1$. "p" stands for position displacement from $P_0 - P_5$ or from $PR_0 - PR_5$ and "w" for the width of the bit field from $W_0 - W_4$ or $WR_0 - WR_4$. Whenever $p + w > 32$, operation takes place only over the portion of the field up to the end of the word. No wraparound occurs.
- This instruction uses the aligned format (see Figure 6).
- This instruction uses the unaligned field format (see Figure 6).
 $p \geq 0$: Case 1
 $p < 0$: Case 2
- If p is positive, the input is LSB aligned and Y output aligned at position. If p is negative, the input is aligned at |p| and Y output at LSB.
- Firstly, the concatenation of A(High Word) and B(Low Word) is rotated by the amount specified by the position (p). If p is positive, left-rotate is performed. If p is negative, right-rotate is performed. Secondly, the least significant bits on the Y output specified by the width (w) are extracted.
- Same as 6) except that B input is taken as a high word and A input as a low word.

Legend: Unsel = Unselected Field
 Set = Selected Field
 A = A Input
 B = B Input
 Q = Q Register
 * = Updated

For all examples, assume STATUS (7:0) is -7 and STATUS (12:8) is 3.

- 0.PASSF-AL-B,11,20 Pass B to Y and test if $B_{20} - B_{30}$ are all zero. Set Z status if so.

B: 1000000000000000101011100110100

Z set to 1 in this case

- 3.XORF-A., Exclusive-OR bits $A_7 - A_9$ with bits $B_0 - B_2$ and output to $Y_0 - Y_2$. Pass $B_3 - B_{31}$ to $Y_3 - Y_{31}$. Width and position values are obtained from STATUS(12:0).

A: 01101110001001000010111001101011

B: 00011100001010001100101001001001

$A_{9-7} \oplus B_{2-0} = Y$: 00011100001010001100101001001101

TABLE 16. MASK INSTRUCTION

Mnemonics	Code	Description	Y Output		Status							
			Unsel	Sel	S	M	L	Z	V	N	C	
PASS-MASK	7F	Generate Mask	p_5	$Y_i = \bar{p}_5$								

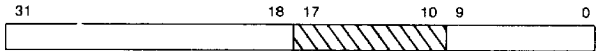
Notes: 1. This instruction uses the field instruction format (FORMAT 2).
 2. $p \leq i \leq p + w - 1$. "p" stands for the position displacement and "w" for the width of bit field.

Legend: Unsel = Unselected Field
 Sel = Selected Field
 A = A Input
 B = B Input
 Q = Q Register
 * = Updated

Example:

Generates an 8-bit field mask pattern starting from bit position 10.

0, PASS-MASK, 8, 10



ABSOLUTE MAXIMUM RATINGS

Storage Temperature -65 to +150°C
 Case Temperature Under Bias (T_C) -55 to +125°C
 Supply Voltage to Ground Potential
 Continuous -0.3 to +7.0 V
 DC Voltage Applied to Outputs
 for HIGH Output State -0.3 V to V_{CC} + 0.3 V
 DC Input Voltage -0.3 to V_{CC} + 0.3 V
 DC Output Current, into LOW Outputs 30 mA
 DC Input Current -10 mA to +10 mA

Stresses above those listed under ABSOLUTE MAXIMUM RATINGS may cause permanent device failure. Functionality at or above these limits is not implied. Exposure to absolute maximum ratings for extended periods may affect device reliability.

OPERATING RANGES

Commercial (C) Case Devices
 Temperature (T_A) 0 to +70°C
 Supply Voltage V_{CC} +4.75 V to +5.25 V
 Military* (M) Devices
 Temperature (T_A) -55 to +125°C
 Supply Voltage (V_{CC}) +4.5 V to +5.5 V

*Military product 100% tested at T_A = +25°C, +125°C, and -55°C.

Operating ranges define those limits between which the functionality of the device is guaranteed.

DC CHARACTERISTICS over operating range unless otherwise specified (for APL Products, Group A, Subgroups 1, 2, 3 are tested unless otherwise noted)

Parameter Symbol	Parameter Description	Test Conditions (Note 1)		Min.	Max.	Unit
		V _{CC} = Min., V _{IN} = V _{IH} or V _{IL}	I _{OH} = 0.4 mA			
V _{OH}	Output HIGH Voltage	V _{CC} = Min., V _{IN} = V _{IH} or V _{IL}	I _{OH} = 0.4 mA	2.4		Volts
V _{OL}	Output LOW Voltage	V _{CC} = Min., V _{IN} = V _{IH} or V _{IL}	I _{OL} = 8 mA for Y-Bus & 4 mA for All Other Pins		0.5	Volts
V _{IH}	Guaranteed Input Logical HIGH Voltage (Note 2)			2.0		Volts
V _{IL}	Guaranteed Input Logical LOW Voltage (Note 2)				0.8	Volts
I _{IL}	Input LOW Current	V _{CC} = Max., V _{IN} = 0.5 V			-10	μA
I _{IH}	Input HIGH Current	V _{CC} = Max., V _{IN} = V _{CC} - 0.5 V			10	μA
I _{OZH}	Off State (High Impedance) Output Current	V _{CC} = Max., V _O = 2.4 V			10	μA
I _{OZL}		V _{CC} = Max., V _O = 0.5 V			-10	
I _{CC}	Static Power Supply Current (Note 3)	V _{CC} = Max., V _{IN} = V _{CC} or GND, I _O = 0 μA	COM'L		70	mA
			MIL		70	
C _{PD} *	Power Dissipation Capacitance (Note 4)	V _{CC} = 5.0 V, T _A = 25°C, No Load				pF Typical

- Notes:**
- V_{CC} conditions shown as Min. or Max. refer to the Commercial or Military V_{CC} limits.
 - These input levels provide zero-noise immunity and should only be statically tested in a noise-free environment (not functionally tested).
 - Worst-case I_{CC} is measured at the lowest temperature in the specified operating range.
 - C_{PD} determines the no-load dynamic current consumption:
 I_{CC} (Total) = I_{CC} (Static) + C_{PD} V_{CC} f, where f is the switching frequency of the majority of the internal nodes, normally one-half of the clock frequency.

*This parameter is not tested.

SWITCHING CHARACTERISTICS over **COMMERCIAL** operating range

A. COMBINATIONAL PROPAGATION DELAYS

No.	From	To	29C332	29C332-1	29C332-2	Unit
			Max. Delay	Max. Delay	Max. Delay	
1	PA ₀ - PA ₃ , PB ₀ - PB ₃	PERR	25	20	18	ns
2	DA ₀ - DA ₃₁ , DB ₀ - DB ₃₁	PERR	32	28	23	ns
3	DA ₀ - DA ₃₁ , DB ₀ - DB ₃₁	PY ₀ - PY ₃	59	42	34	ns
4	DA ₀ - DA ₃₁ , DB ₀ - DB ₃₁	Y ₀ - Y ₃₁	49	35	28	ns
5	DA ₀ - DA ₃₁ , DB ₀ - DB ₃₁	C, Z, V, N, L	60	43	34	ns
6	DA ₀ - DA ₃₁ , DB ₀ - DB ₃₁	MSERR	68	49	40	ns
7	I ₀ - I ₈	PY ₀ - PY ₃	74	53	43	ns
8	I ₀ - I ₈	Y ₀ - Y ₃₁	66	47	38	ns
9	I ₀ - I ₈	C, Z, V, N, L	67	48	39	ns
10	I ₀ - I ₈	MSERR	77	55	44	ns
11	W ₀ - W ₄	PY ₀ - PY ₃	58	40	32	ns
12	W ₀ - W ₄	Y ₀ - Y ₃₁	52	34	28	ns
13	W ₀ - W ₄	C, Z, V, N, L	57	35	28	ns
14	W ₀ - W ₄	MSERR	62	41	33	ns
15	P ₀ - P ₅	PY ₀ - PY ₃	67	48	39	ns
16	P ₀ - P ₅	Y ₀ - Y ₃₁	59	42	34	ns
17	P ₀ - P ₅	C, Z, V, N, L	60	43	35	ns
18	P ₀ - P ₅	MSERR	63	45	36	ns
19	CP	PY ₀ - PY ₃	74	55	44	ns
20	CP	Y ₀ - Y ₃₁	68	52	42	ns
21	CP	C, Z, V, N, L	74	55	44	ns
22	CP	STATUS REG.	28	25	20	ns
23	RS	C, Z, V, N, L	23	21	17	ns
24	MC _{in}	Y ₀ - Y ₃₁	43	31	25	ns
25	MC _{in}	C, Z, V, N, L	48	34	28	ns
26	MC _{in}	MSERR	52	37	30	ns
27	MLINK	Y ₀ - Y ₃₁	46	33	27	ns
28	MLINK	C, Z, V, N, L	52	37	30	ns
29	MLINK	MSERR	53	38	31	ns
30	M/ \bar{m}	Y ₀ - Y ₃₁	46	33	27	ns
31	M/ \bar{m}	C, Z, V, N, L	52	37	30	ns
32	M/ \bar{m}	MSERR	53	38	31	ns
33	BOROW	Y ₀ - Y ₃₁	46	33	27	ns
34	BOROW	C, Z, V, N, L	52	37	30	ns
35	BOROW	MSERR	53	38	31	ns
36	HOLD	C, Z, V, N, L	31	22	18	ns
37	HOLD	MSERR	35	29	24	ns
38	PY ₀ - PY ₃	MSERR	24	22	18	ns
39	Y ₀ - Y ₃₁	MSERR	24	22	18	ns
40	C, Z, V, N, L	MSERR	24	22	18	ns
41	PERR	MSERR	24	22	18	ns

SWITCHING CHARACTERISTICS over **COMMERCIAL** operating range (Cont'd.)

B. SETUP AND HOLD TIMES

No.	Parameter (Note 1)	For	With Respect To	29C332	29C332-1	29C332-2	Unit
				Max. Value	Max. Value	Max. Value	
42	Input Data Setup	DA ₀ - DA ₃₁ , DB ₀ - DB ₃₁	CP ↑	56	31	31	ns
43	Input Data Hold	DA ₀ - DA ₃₁ , DB ₀ - DB ₃₁	CP ↑	0	0	0	ns
44	Byte Width Setup	I ₇ - I ₈	CP ↑	66	30	30	ns
45	Byte Width Hold	I ₇ - I ₈	CP ↑	0	0	0	ns
46	Instruction Setup	I ₀ - I ₆	CP ↑	71	37	37	ns
47	Instruction Hold	I ₀ - I ₆	CP ↑	0	0	0	ns
48	Width Setup	W ₀ - W ₄	CP ↑	64	28	28	ns
49	Width Hold	W ₀ - W ₄	CP ↑	0	0	0	ns
50	Position Setup	P ₀ - P ₅	CP ↑	66	28	28	ns
51	Position Hold	P ₀ - P ₅	CP ↑	0	0	0	ns
52	Borrow Setup	BOROW	CP ↑	51	22	22	ns
53	Borrow Hold	BOROW	CP ↑	0	0	0	ns
54	Macro Carry Setup	MCin	CP ↑	50	21	21	ns
55	Macro Carry Hold	MCin	CP ↑	0	0	0	ns
56	Macro Link Setup	MLINK	CP ↑	43	22	22	ns
57	Macro Link Hold	MLINK	CP ↑	0	0	0	ns
58	Macro/Micro Setup	M/m	CP ↑	50	22	22	ns
59	Macro/Micro Hold	M/m	CP ↑	0	0	0	ns
60	Hold Mode Setup	HOLD	CP ↑	28	11	11	ns
61	Hold Mode Hold	HOLD	CP ↑	0	0	0	ns

C. MINIMUM CLOCK REQUIREMENTS

No.	Description	29C332	29C332-1	29C332-2	Unit
		Max. Value	Max. Value	Max. Value	
62	Minimum Clock LOW Time	20	20	20	ns
63	Minimum Clock HIGH Time	20	20	20	ns

D. ENABLE AND DISABLE TIMES

No.	From	To	Description	29C332	29C332-1	29C332-2	Unit
				Max. Value	Max. Value	Max. Value	
64	OE - Y	Y ₀ - Y ₃₁ , PY ₀ - PY ₃	Output Enable Time				ns
65	OE - Y	Y ₀ - Y ₃₁ , PY ₀ - PY ₃	Output Disable Time				ns
66	SLAVE	C, Z, V, N, L PERR	Slave Mode Enable Time				ns
67	SLAVE	Y ₀ - Y ₃₁ , PY ₀ - PY ₃ C, Z, V, N, L PERR	Slave Mode Disable Time				ns

Notes: 1. See timing diagram for desired mode of operation to determine clock edge to which these setup and hold times apply.

SWITCHING CHARACTERISTICS over **MILITARY** operating range

A. COMBINATIONAL PROPAGATION DELAYS

No.	From	To	29C332	
			Max. Delay	Unit
1	PA ₀ - PA ₃ , PB ₀ - PB ₃	PERR	28	ns
2	DA ₀ - DA ₃₁ , DB ₀ - DB ₃₁	PERR	35	ns
3	DA ₀ - DA ₃₁ , DB ₀ - DB ₃₁	PY ₀ - PY ₃	65	ns
4	DA ₀ - DA ₃₁ , DB ₀ - DB ₃₁	Y ₀ - Y ₃₁	54	ns
5	DA ₀ - DA ₃₁ , DB ₀ - DB ₃₁	C, Z, V, N, L	66	ns
6	DA ₀ - DA ₃₁ , DB ₀ - DB ₃₁	MSERR	75	ns
7	I ₀ - I ₈	PY ₀ - PY ₃	82	ns
8	I ₀ - I ₈	Y ₀ - Y ₃₁	73	ns
9	I ₀ - I ₈	C, Z, V, N, L	74	ns
10	I ₀ - I ₈	MSERR	85	ns
11	W ₀ - W ₄	PY ₀ - PY ₃	64	ns
12	W ₀ - W ₄	Y ₀ - Y ₃₁	57	ns
13	W ₀ - W ₄	C, Z, V, N, L	63	ns
14	W ₀ - W ₄	MSERR	68	ns
15	P ₀ - P ₅	PY ₀ - PY ₃	74	ns
16	P ₀ - P ₅	Y ₀ - Y ₃₁	65	ns
17	P ₀ - P ₅	C, Z, V, N, L	66	ns
18	P ₀ - P ₅	MSERR	69	ns
19	CP	PY ₀ - PY ₃	82	ns
20	CP	Y ₀ - Y ₃₁	75	ns
21	CP	C, Z, V, N, L	82	ns
22	CP	STATUS REG.	31	ns
23	RS	C, Z, V, N, L	25	ns
24	MC _{in}	Y ₀ - Y ₃₁	47	ns
25	MC _{in}	C, Z, V, N, L	53	ns
26	MC _{in}	MSERR	57	ns
27	MLINK	Y ₀ - Y ₃₁	51	ns
28	MLINK	C, Z, V, N, L	57	ns
29	MLINK	MSERR	58	ns
30	M/m	Y ₀ - Y ₃₁	51	ns
31	M/m	C, Z, V, N, L	57	ns
32	M/m	MSERR	58	ns
33	BOROW	Y ₀ - Y ₃₁	51	ns
34	BOROW	C, Z, V, N, L	57	ns
35	BOROW	MSERR	58	ns
36	HOLD	C, Z, V, N, L	34	ns
37	HOLD	MSERR	39	ns
38	PY ₀ - PY ₃	MSERR	26	ns
39	Y ₀ - Y ₃₁	MSERR	26	ns
40	C, Z, V, N, L	MSERR	26	ns
41	PERR	MSERR	26	ns

SWITCHING CHARACTERISTICS over **MILITARY** operating range (Cont'd.)

B. SETUP AND HOLD TIMES

No.	Parameter (Note 1)	For	With Respect To	29C332	
				Max. Value	Unit
42	Input Data Setup	DA ₀ -DA ₃₁ , DB ₀ -DB ₃₁	CP ↑	62	ns
43	Input Data Hold	DA ₀ -DA ₃₁ , DB ₀ -DB ₃₁	CP ↑	0	ns
44	Byte Width Setup	I ₇ -I ₈	CP ↑	73	ns
45	Byte Width Hold	I ₇ -I ₈	CP ↑	0	ns
46	Instruction Setup	I ₀ -I ₆	CP ↑	78	ns
47	Instruction Hold	I ₀ -I ₆	CP ↑	0	ns
48	Width Setup	W ₀ -W ₄	CP ↑	70	ns
49	Width Hold	W ₀ -W ₄	CP ↑	0	ns
50	Position Setup	P ₀ -P ₅	CP ↑	73	ns
51	Position Hold	P ₀ -P ₅	CP ↑	0	ns
52	Borrow Setup	BOROW	CP ↑	56	ns
53	Borrow Hold	BOROW	CP ↑	0	ns
54	Macro Carry Setup	MCin	CP ↑	55	ns
55	Macro Carry Hold	MCin	CP ↑	0	ns
56	Macro Link Setup	MLINK	CP ↑	47	ns
57	Macro Link Hold	MLINK	CP ↑	0	ns
58	Macro/Micro Setup	M/ \bar{m}	CP ↑	55	ns
59	Macro/Micro Hold	M/ \bar{m}	CP ↑	0	ns
60	Hold Mode Setup	HOLD	CP ↑	31	ns
61	Hold Mode Hold	HOLD	CP ↑	0	ns

C. MINIMUM CLOCK REQUIREMENTS

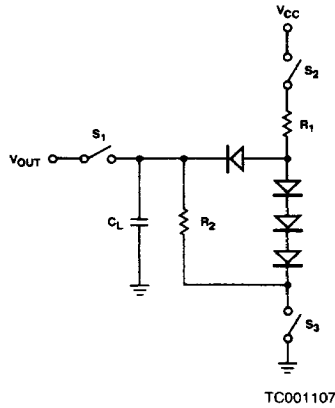
No.	Description	29C332	
		Max. Value	Unit
62	Minimum Clock LOW Time	22	ns
63	Minimum Clock HIGH Time	22	ns

D. ENABLE AND DISABLE TIMES

No.	From	To	Description	29C332	
				Max. Value	Unit
64	OE- \bar{Y}	Y ₀ -Y ₃₁ , PY ₀ -PY ₃	Output Enable Time		ns
65	OE- \bar{Y}	Y ₀ -Y ₃₁ , PY ₀ -PY ₃	Output Disable Time		ns
66	SLAVE	C, Z, V, N, L PERR	Slave Mode Enable Time		ns
67	SLAVE	Y ₀ -Y ₃₁ , PY ₀ -PY ₃ C, Z, V, N, L PERR	Slave Mode Disable Time		ns

Notes: 1. See timing diagram for desired mode of operation to determine clock edge to which these setup and hold times apply.

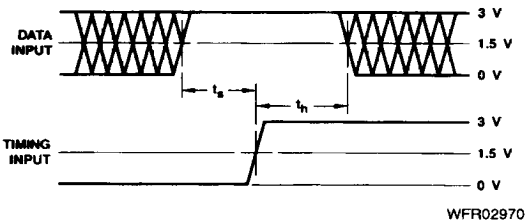
SWITCHING TEST CIRCUIT



A. Three-State Outputs

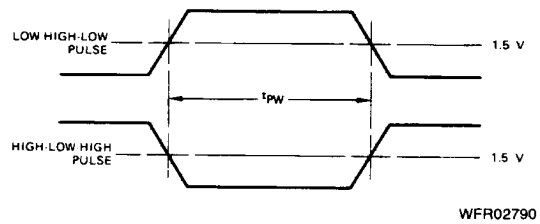
- Notes:
1. $C_L = 50$ pF includes scope probe, wiring and stray capacitances without device in test fixture.
 2. S_1, S_2, S_3 are closed during function tests and all AC tests except output enable tests.
 3. S_1 and S_3 are closed while S_2 is open for t_{pZH} test.
 4. S_1 and S_2 are closed while S_3 is open for t_{pZL} test.
 5. $C_L =$ TBD for output disable tests.

SWITCHING TEST WAVEFORMS



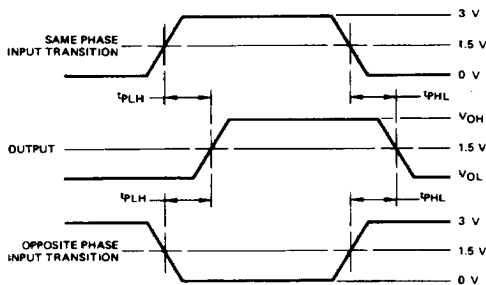
Setup, Hold, and Release Times

- Notes:
1. Diagram shown for HIGH data only. Output transition may be opposite sense.
 2. Cross hatched area is don't care condition.



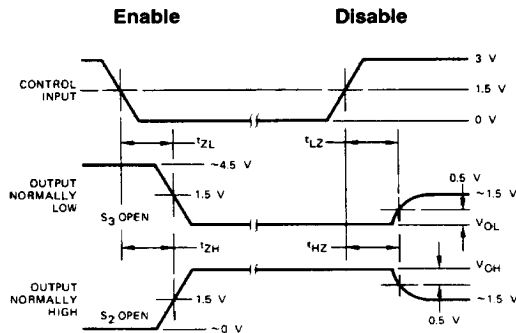
Pulse Width

SWITCHING TEST WAVEFORMS (Cont'd.)



Propagation Delay

WFR02980



Enable and Disable Times

WFR02660

- Notes: 1. Diagram shown for input Control Enable-LOW and input Control Disable-HIGH.
 2. S₁, S₂ and S₃ of Load Circuit are closed except where shown.

Test Philosophy and Methods

The following points give the general philosophy that we apply to tests that must be properly engineered if they are to be implemented in an automatic environment. The specifics of what philosophies applied to which test are shown.

1. Ensure the part is adequately decoupled at the test head. Large changes in supply current when the device switches may cause function failures due to V_{CC} changes.
2. Do not leave inputs floating during any tests, as they may oscillate at high frequency.
3. Do not attempt to perform threshold tests at high speed. Following an input transition, ground current may change by as much as 400 mA in 5 - 8 ns. Inductance in the ground cable may allow the ground pin at the device to rise by hundreds of millivolts momentarily.
4. Use extreme care in defining input levels for AC tests. Many inputs may be changed at once, so there will be significant noise at the device pins that may not actually reach V_{IL} or V_{IH} until the noise has settled. AMD recommends using V_{IL} ≤ 0 V and V_{IH} ≥ 3 V for AC tests.
5. To simplify failure analysis, programs should be designed to perform DC, Function, and AC tests as three distinct groups of tests.
6. Capacitive Loading for AC Testing

Automatic testers and their associated hardware have stray capacitance that varies from one type of tester to another, but is generally around 50 pF. This, of course, makes it impossible to make direct measurements of parameters that call for a smaller capacitive load than the associated stray capacitance. Typical examples of this are the so-called "float delays" which measure the propagation delays into and out of the high impedance state and are usually specified at a load capacitance of 5.0 pF. In these cases, the test is performed at the higher load capacitance (typically 50 pF) and engineering correlations based on data taken with a bench set up are used to predict the result at the lower capacitance.

Similarly, a product may be specified at more than one capacitive load. Since the typical automatic tester is not capable of switching loads in mid-test, it is impossible to make measurements at both capacitances even though they may both be greater than the stray capacitance. In these cases, a measurement is made at one of the two capacitances. The result at the other capacitance is predicted from engineering correlations based on data taken with a bench set up and the knowledge that certain DC measurements (I_{OH}, I_{OL} for example) have already been taken and are within specification. In some cases, special DC tests are performed in order to facilitate this correlation.

7. Threshold Testing

The noise associated with automatic testing, the long, inductive cables, and the high gain of bipolar devices when in the vicinity of the actual device threshold, frequently give rise to oscillations when testing high-speed speed circuits. These oscillations are not indicative of a reject device, but instead, of an overtaxed test system. To minimize this problem, thresholds are tested at least once for each input pin. Thereafter, "hard" HIGH and LOW levels are used for other tests. Generally this means that function and AC testing are performed at "hard" input levels rather than at V_{IL} Max. and V_{IH} Min.

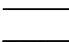



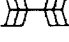
8. AC Testing

Occasionally, parameters are specified that cannot be measured directly on automatic testers because of tester limitations. Data input hold times often fall into this category. In these cases, the parameter in question is guaranteed by correlating these tests with other AC tests that have been performed. These correlations are arrived at by the cognizant engineer by using data from precise bench measurements in conjunction with the knowledge that certain DC parameters have already been measured and are within specification.

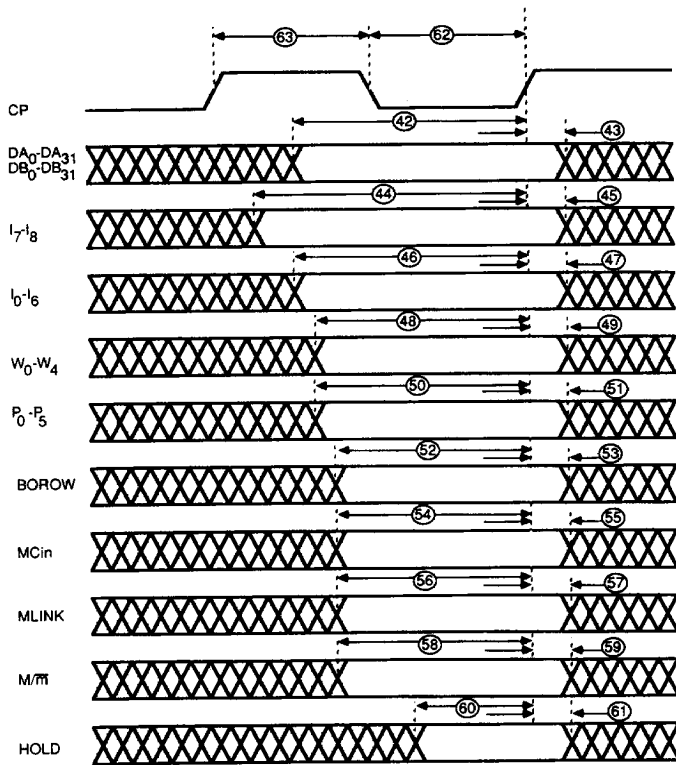
In some cases, certain AC tests are redundant since they can be shown to be predicted by other tests that have already been performed. In these cases, the redundant tests are not performed.

SWITCHING WAVEFORMS

KEY TO SWITCHING WAVEFORMS

WAVEFORM	INPUTS	OUTPUTS
	MUST BE STEADY	WILL BE STEADY
	MAY CHANGE FROM H TO L	WILL BE CHANGING FROM H TO L
	MAY CHANGE FROM L TO H	WILL BE CHANGING FROM L TO H
	DON'T CARE. ANY CHANGE PERMITTED	CHANGING. STATE UNKNOWN
	DOES NOT APPLY	CENTER LINE IS HIGH IMPEDANCE "OFF" STATE

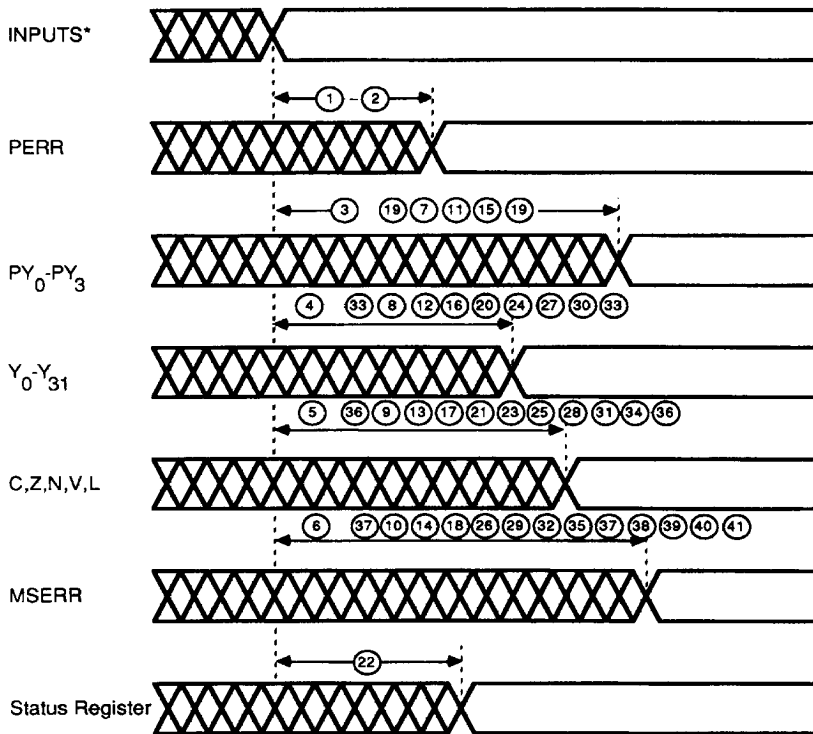
KS000010



WF023680

Setup and Hold Timing

SWITCHING WAVEFORMS (Cont'd.)

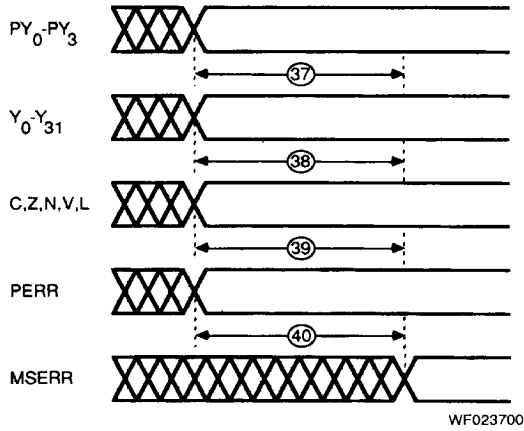


WF023691

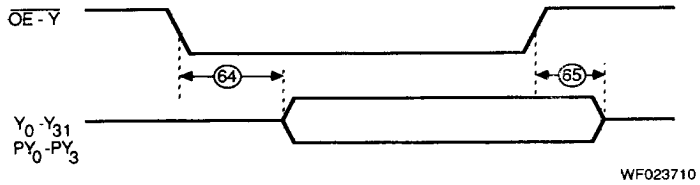
Propagation Delays (SLAVE = LOW)

Inputs: PA₀ - PA₃, PB₀ - PB₃, DA₀ - DA₃₁, DB₀ - DB₃₁, I₀ - I₆, W₀ - W₄, P₀ - P₅, CP, RS, MCin, MLINK, M/ \bar{m} , BOROW, HOLD

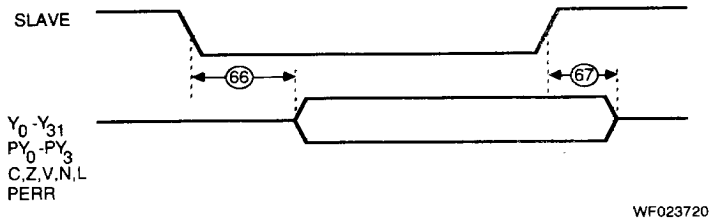
SWITCHING WAVEFORMS (Cont'd.)



Propagation Delay (SLAVE = HIGH)

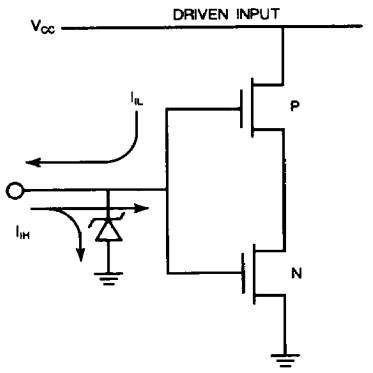


Enable/Disable I (SLAVE = HIGH)

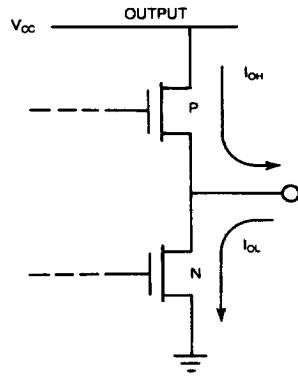


Enable/Disable II ($\overline{OE-Y} = \text{LOW}$)

INPUT/OUTPUT CIRCUIT DIAGRAMS



$C_I \approx 5.0 \text{ pF}$, all inputs



$C_O \approx 5.0 \text{ pF}$, all outputs