

**APPLICATIONS:**

- Set Top Box
- DBS

## BSFC78GW6 DBS Tuner

### FEATURES

- Receiving frequency range 950 MHz to 2,150 MHz
- Input level -65 dBm to -25 dBm
- Nominal input impedance 75 Ω
- Intermediate frequency 479.5 MHz
- Electronic tuning with frequency synthesizer channel selection system
- PLL reference frequency 125 kHz
- L.O. step size 125 kHz
- L.O. internal clock frequency 4 MHz X'tal
- IF band width 55 MHz (3 dB down)
- Nominal output level -30 dBm
- Supply voltage (B2, B3) 5.0 V ±0.3 V DC
- ODU power (LNB1) 25 V, 350 mA MAX.
- Tuning voltage (TUN) 29 V ±1 V DC, 0 V to 5 V DC (AGC) [0 V to MAX. gain, 5 V to MIN. gain]
- F-type female input structure
- Operating temperature 0°C to 60°C
- Storage temperature -20°C to 70°C
- Operating humidity, less than 85%
- Storage humidity, less than 90%

### DESCRIPTION

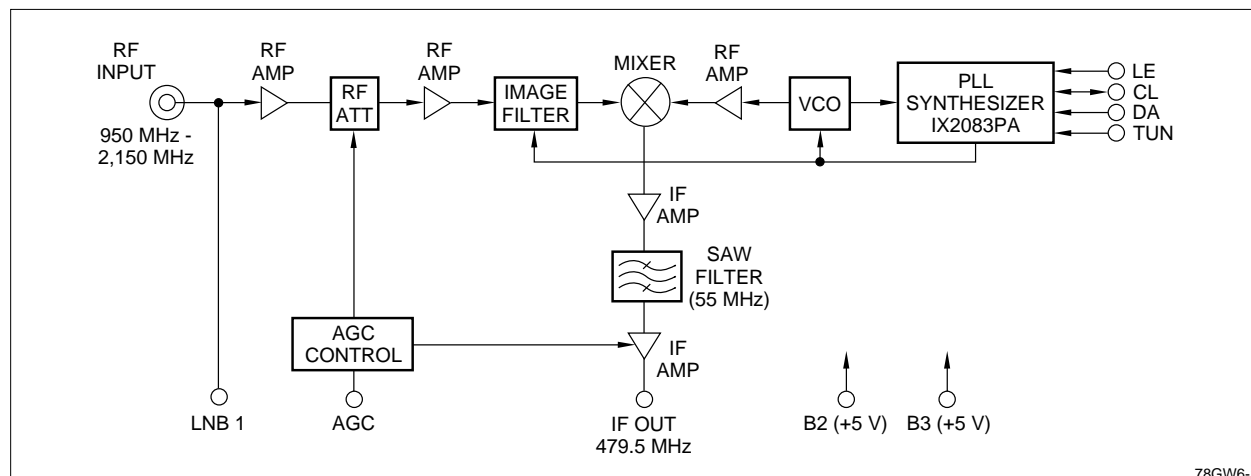
This product brief covers the BSFC78GW6 DBS Tuner intended for use in satellite receivers.

### PIN DESCRIPTION

NUMBER	NAME	I/O	VOLT (V)
1	RF input	I	
2			
3	LNB1*	I	
4	GND		
5	B2	I	+5 V
6	GND		
7	GND		
8	LE	I	
9	Clock	I	
10	Data	I	
11	B3	I	+5 V
12	TUN	I	+20 V
13	AGC	I	0 V - 5 V
14	GND		
15	GND		
16	GND		
17	GND		
18	IF out	O	

**NOTE:** \*To LNB

### BLOCK DIAGRAM



This Product Information is from Specification: BSFC78GW6; Issue Date: January 19, 1997.