

# Infrared Transceiver

## Technical Data

### Features

- **Fully Compliant to IrDA 1.1 – 4 Mbps**
- **Compatible with ASK, HP-SIR, and TV Remote**
- **Backward Compatible to Slower Speeds**
- **Excellent Noise Immunity**
- **No Programming to Switch Speeds**
- **Available in Several Mounting Options**
- **Designed to Compensate for Light Loss Due to Cosmetic Windows**
- **Fully Supported by All Interface Chips**
- **IEC 825-Class 1 Eye Safe**

### Description

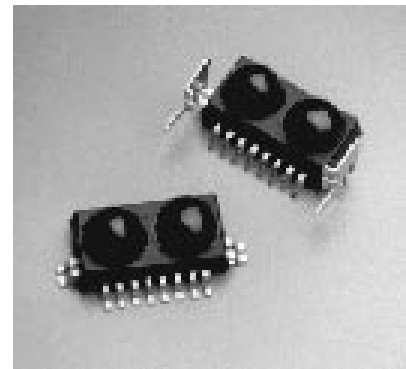
The HSDL-1100 infrared transceiver provides the interface between logic and IR signals for through-air, serial, half-duplex IR data links and is designed to satisfy the IrDA Physical Layer Specification.

The HSDL-1100 contains a high speed, high efficiency, TS AlGaAs 870 nm LED, a silicon PIN photodiode, and a bipolar, silicon integrated circuit. The IC contains an LED driver and a receiver providing two output signals, RXD-A for signal rates from 2.4 to

115.2 Kb/s and RXD-B for signal rates of 576 Kb/s and 4.0 Mb/s.

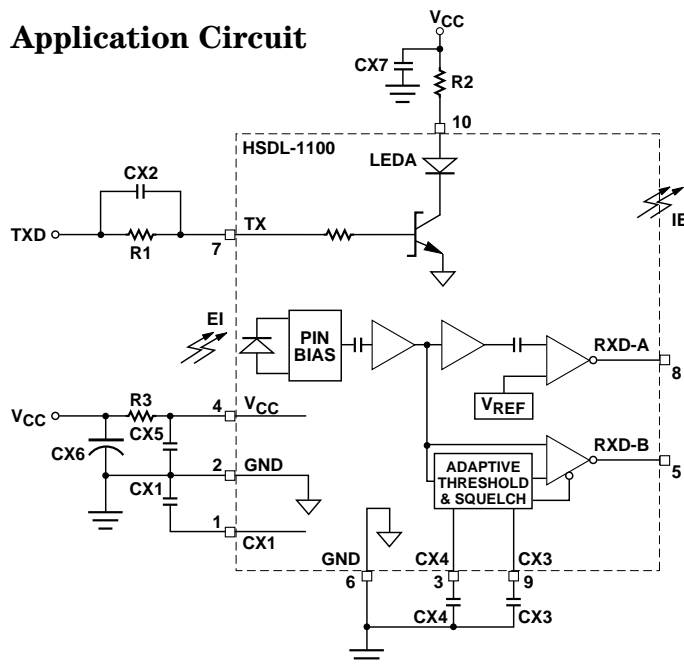
The receiver is designed for maximum sensitivity to IrDA signals and minimum sensitivity to signals outside the IrDA optical wavelength and frequency modulation of interest. A receiver lens magnifies the effective area of the PIN diode to enhance sensitivity. The lens is integral with the molded package and contains a dye which absorbs visible light. Receiver outputs pulse low when the IR signal is present. The power supply for the PIN and preamplifier are filtered to attenuate noise conducted from external sources.

### HSDL-1100



Applications for the HSDL-1100 include notebook PCs, LANs, telephones, pagers, printers, cameras, and industrial handheld devices.

### Application Circuit



## Ordering Information

Specify Part Number followed by Option Number

HSDL-1100 #0x7

- 017 front mount orientation, 10 piece increment
- 007 front mount orientation, 200 piece increment

HSDL-1100 #0x8

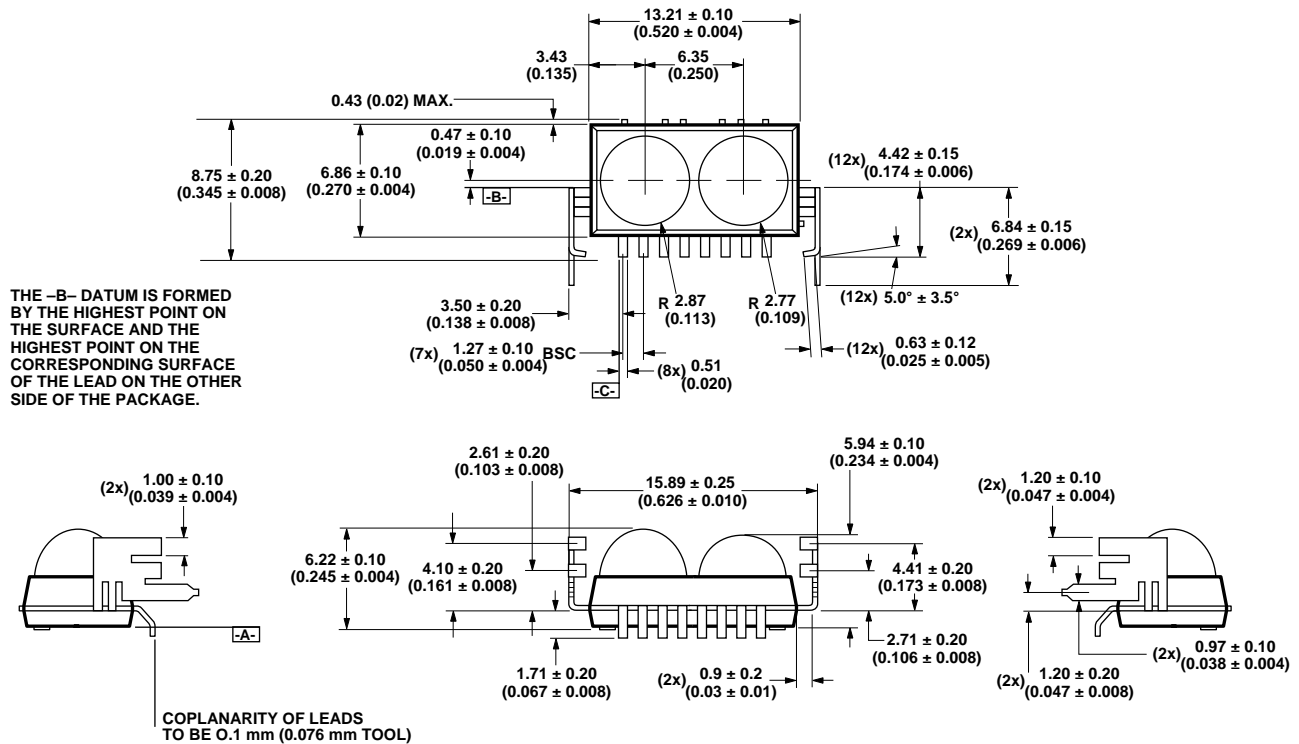
- 018 top mount orientation, 10 piece increment
- 008 top mount orientation, 200 piece increment

HSDL-1100 #S07

- front mount orientation, integrated shield, 200 piece increment

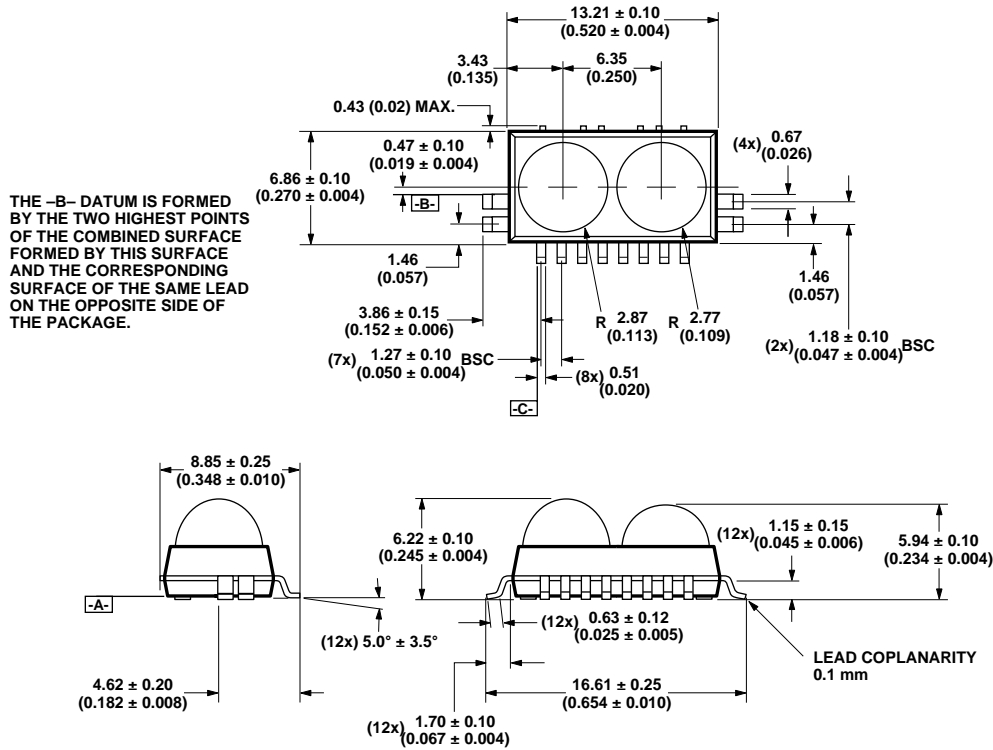
## Package Dimensions

### Option #0x7



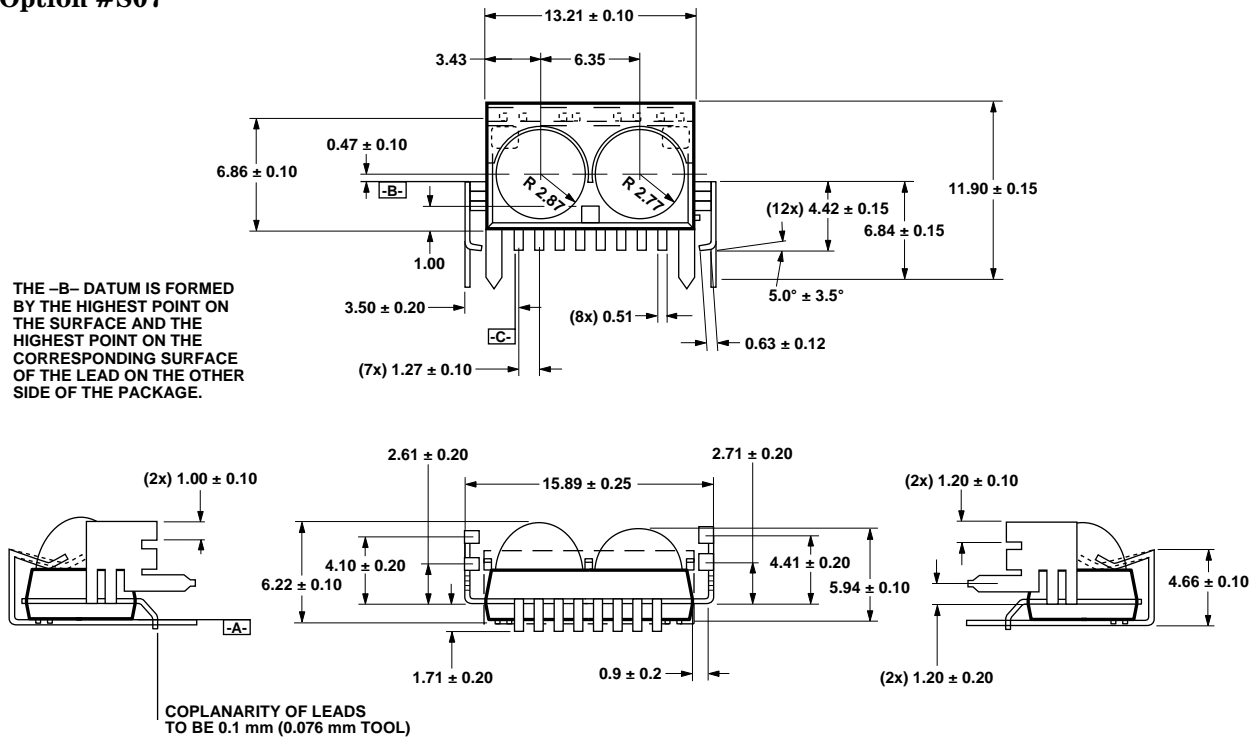
DIMENSIONS IN MILLIMETERS (INCHES).

**Option #0x8**



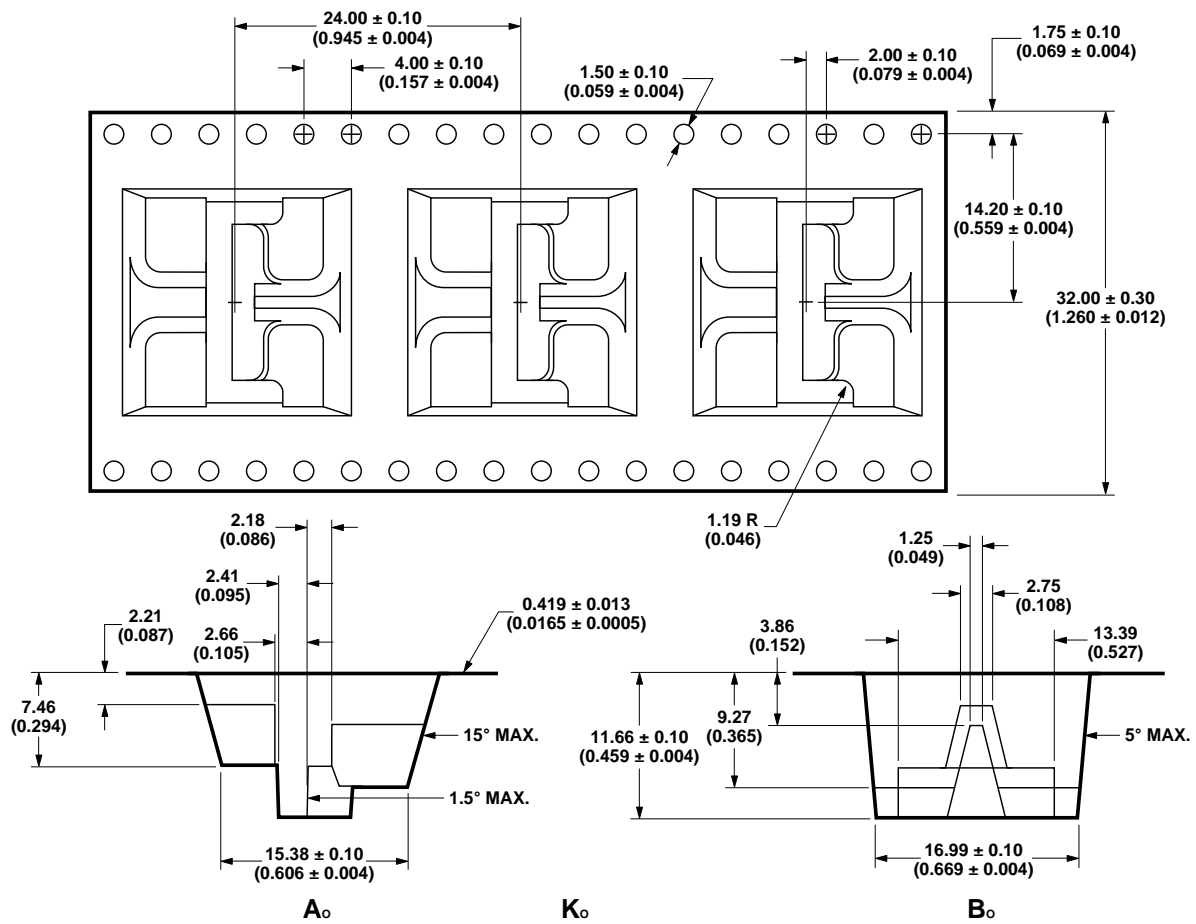
DIMENSIONS IN MILLIMETERS (INCHES).

**Option #S07**



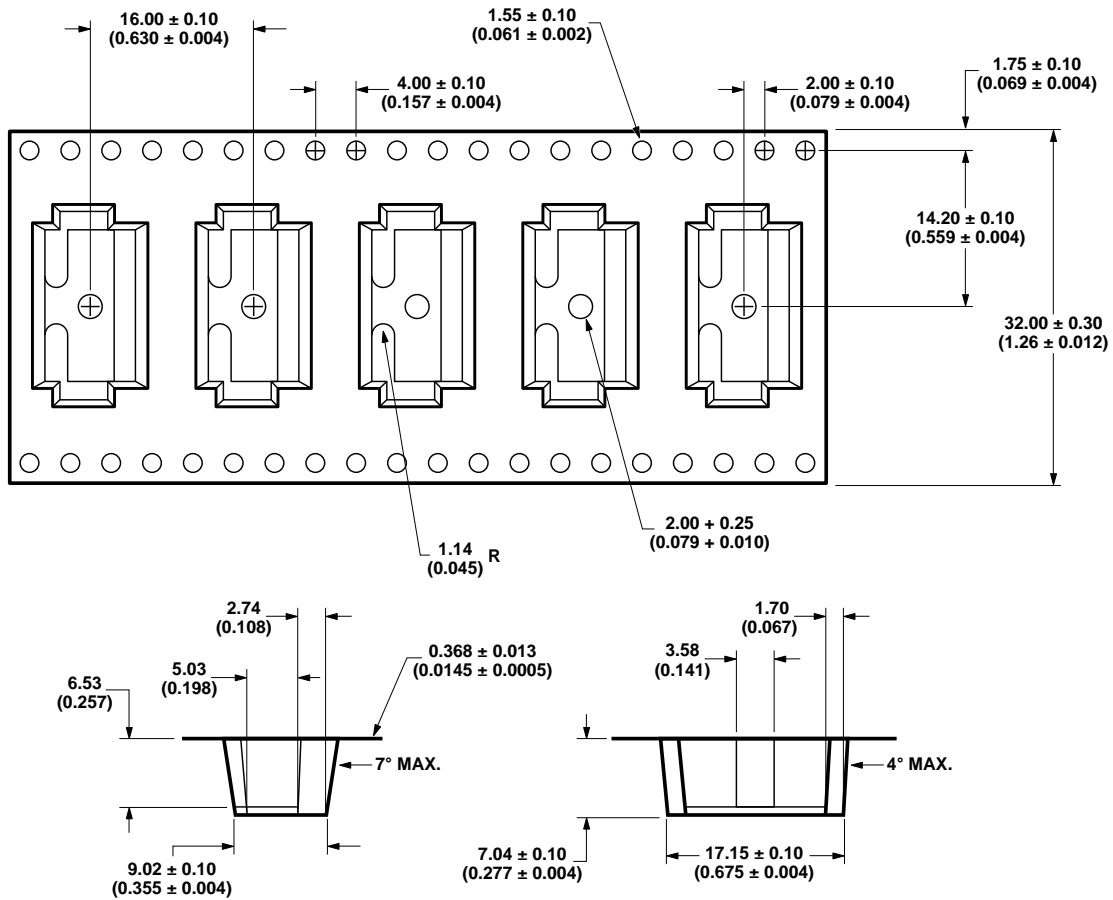
DIMENSIONS IN MILLIMETERS.

## Tape and Reel Dimensions Option #0x7



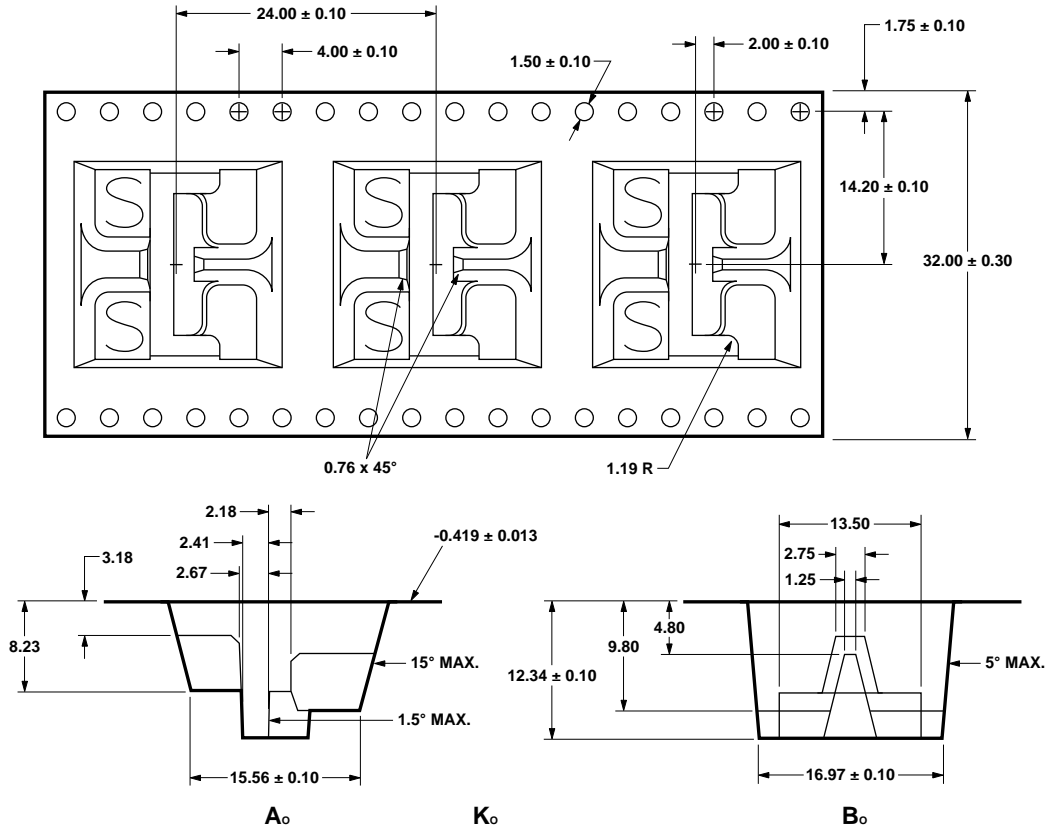
DIMENSIONS ARE IN MILLIMETERS (INCHES).

## Tape and Reel Dimensions Option #0x8



DIMENSIONS ARE IN MILLIMETERS (INCHES).

## Tape and Reel Dimensions Option #S07



DIMENSIONS ARE IN MILLIMETERS.

**Table 1. Recommended Application Circuit Components**

| Component | Recommended Value   | Notes |
|-----------|---|-------|
| R1        | $560 \Omega$ , $\pm 5\%$ , 0.125 Watt   |       |
| R2        | $4.7 \Omega$ , $\pm 5\%$ , 0.5 Watt   |       |
| R3        | $10 \Omega$ , $\pm 5\%$ , 0.125 Watt  | 1     |
| CX1       | $0.47 \mu\text{F}$ , $\pm 10\%$ , X7R Ceramic   | 2     |
| CX2       | $220 \text{ pF}$ , $\pm 10\%$ , X7R Ceramic   |       |
| CX3       | $4700 \text{ pF}$ , $\pm 10\%$ , X7R Ceramic  |       |
| CX4       | $0.010 \mu\text{F}$ , $\pm 10\%$ , X7R Ceramic  |       |
| CX5       | $0.47 \mu\text{F}$ , $\pm 20\%$ , X7R Ceramic $\leq 5 \text{ mm}$ lead length           | 2     |
| CX6       | $6.8 \mu\text{F}$ Tantalum. Larger value recommended for noisy supplies or environments |       |
| CX7       | $0.47 \mu\text{F}$ , $\pm 20\%$ , X7R Ceramic   | 3     |

**Notes:**

- In environments with noisy power supplies, supply rejection can be enhanced by including R3 as shown in application circuit on page 1.
- CX1 and CX5 must be placed within 0.7 cm of the HSDL-1100 to obtain optimum noise immunity.
- Only necessary in applications where transmitter switching causes more than a 50 mV ripple on  $V_{CC}$ .

## Truth Table

| Inputs          |                                | Outputs  |                    |                    |
|-----------------|--------------------------------|----------|--------------------|--------------------|
| TXD             | EI                             | IE (LED) | RXD-A              | RXD-B              |
| V <sub>IH</sub> | X                              | High     | NV                 | NV                 |
| V <sub>IL</sub> | EI <sub>H</sub> <sup>[4]</sup> | Low      | Low <sup>[6]</sup> | NV                 |
| V <sub>IH</sub> | EI <sub>H</sub> <sup>[5]</sup> | Low      | NV                 | Low <sup>[6]</sup> |
| V <sub>IL</sub> | EI <sub>L</sub>                | Low      | High               | High               |

X = Don't care

NV = Not Valid

### Notes:

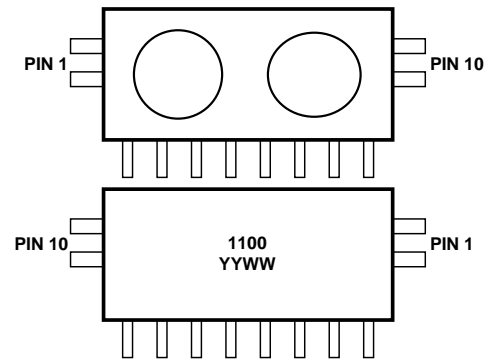
4. In-Band EI ≤ 115.2 Kb/s.

5. In-Band EI ≥ 576 Kb/s.

6. Logic Low is a pulsed response. The condition is maintained for a duration dependent on pattern and strength of the incident intensity.

## Pinout

| Pin | Description                      | Symbol          |
|-----|----------------------------------|-----------------|
| 1   | PIN Bypass Capacitor             | CX1             |
| 2   | Ground (Analog)                  | GND             |
| 3   | Averaging Capacitor              | CX4             |
| 4   | Supply Voltage                   | V <sub>CC</sub> |
| 5   | Receiver Data Output – Channel B | RXD-B           |
| 6   | Ground                           | GND             |
| 7   | Transmitter Data Input           | TX              |
| 8   | Receiver Data Output – Channel A | RXD-A           |
| 9   | Threshold Capacitor              | CX3             |
| 10  | LED Anode                        | LEDA            |



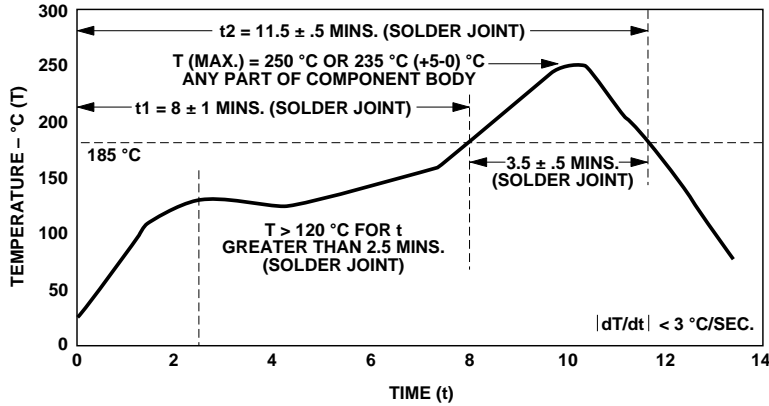
NOTE: PINS 1 AND 10 ARE COMPRISED OF TWO PHYSICAL LEADS EACH. THE TWO PHYSICAL LEADS OF EACH PAIR SHOULD BE TIED TOGETHER ELECTRICALLY ON THE APPLICATION PC BOARD.

## Absolute Maximum Ratings

For implementations where case to ambient thermal resistance ≤ 50°C/W.

| Parameter                      | Symbol                                   | Min.         | Max.   | Units  | Conditions                               |
|--------------------------------|--|--------------|--|--------|--|
| Storage Temperature            | T <sub>S</sub>                           | -20          | 85   | °C     |  |
| Operating Temperature          | T <sub>A</sub>                           | 0            | 70   | °C     |  |
| Average LED Current            | I <sub>LED</sub> (DC1)                   |              | 100  | mA     |  |
| Average LED Current            | I <sub>LED</sub> (DC2)                   |              | 165  | mA     | ≤ 90 μs Pulse Width,<br>≤ 25% Duty Cycle |
| Repetitive Pulsed LED Current  | I <sub>LED</sub> (RP)                    |              | 660  | mA     | ≤ 90 μs Pulse Width,<br>≤ 25% Duty Cycle |
| Peak LED Current               | I <sub>LED</sub> (PK)                    |              | 1.0  | A      | ≤ 2 μs Pulse Width,<br>≤ 10% Duty Cycle  |
| LED Anode Voltage              | V <sub>LEDA</sub>                        | -0.5         | 7.0  | V      |  |
| Supply Voltage                 | V <sub>CC</sub>                          | 0            | 7.0  | V      |  |
| Transmitter Data Input Current | I <sub>TXD</sub> (DC)                    | -12          | 12   | mA     |  |
| Receiver Data Output Voltage   | V <sub>RXD-A</sub><br>V <sub>RXD-B</sub> | -0.5<br>-0.5 | V <sub>CC</sub> + 0.5<br>V <sub>CC</sub> + 0.5 | V<br>V |  |

## Infrared Reflow Profile



## Recommended Operating Conditions

| Parameter                                  | Symbol     | Min.             | Max.       | Units                                    | Conditions   | Notes |
|--|------------|------------------|------------|--|--|-------|
| Operating Temperature                      | $T_A$      | 0                | 70         | °C                                       | Case to Ambient Thermal Resistance $\leq 50^\circ\text{C/W}$                               | 9     |
| Supply Voltage                             | $V_{CC}$   | 4.75             | 5.25       | V  |  |       |
| Logic High Transmitter Input Voltage (TXD) | $V_{IH}$   | 4.25             | 5.25       | V  |  | 8     |
| Logic Low Transmitter Input Voltage (TXD)  | $V_{IL}$   | 0.0              | 0.3        | V  |  | 8     |
| Logic High Receiver Input Irradiance       | $E_{IH}$   | 0.0036<br>0.0090 | 500<br>500 | mW/cm <sup>2</sup><br>mW/cm <sup>2</sup> | For in-band signals $\leq 116$ Kb/s<br>For in-band signals $\leq 576$ Kb/s                 | 7     |
| Logic Low Receiver Input Irradiance        | $E_{IL}$   |                  | 0.3        | $\mu\text{W/cm}^2$                       | For in-band signals  | 7     |
| LED (Logic High) Current Pulse Amplitude   | $I_{LEDA}$ | 400              | 660        | mA                                       |  | 9     |
| Receiver Setup Time                        |            |                  | 1.0        | ms                                       | For full sensitivity after transmitting  |       |
| Receiver Signal Rate RXD-A                 |            | 2.4              | 116        | Kb/s                                     |  |       |
| Receiver Signal Rate RXD-B                 |            | 0.576            | 4          | Mb/s                                     |  |       |
| Ambient Light                              |            |                  |            |  | See IrDA Serial Infrared Physical Layer Link Specification, Appendix A for ambient levels. |       |

### Notes:

- An in-band optical signal is a pulse/sequence where the peak wavelength,  $\lambda_p$ , is defined as  $850 \text{ nm} \leq \lambda_p \leq 900 \text{ nm}$ , and the pulse characteristics are compliant with the IrDA Serial Infrared Physical Layer Link Specification.
- With RI, CX2 Input network and where  $t_r(V_I)$  and  $t_f(V_I) \leq 5$  ns. See Application Circuit (Table 1) for component values. The driver gate for this input should be able to source and sink  $\pm 6$  mA (DC) and  $\pm 50$  mA (pk). TXD refers to the node on the driver gate side of R1, CX2 on application circuit.
- See the thermal derating curves on pages 8 and 9 for maximum operating conditions in order to maintain  $T_{\text{junction}} < 125^\circ\text{C}$ .



## Electrical and Optical Specifications

Specifications hold over the Recommended Operating Conditions unless otherwise noted. Test Conditions represent worse case values for the parameters under test. Unspecified test conditions can be anywhere in their operating range. All typicals are at 25°C and 5 V unless otherwise noted.

| Parameter                            |                          | Symbol                | Min.         | Typ. | Max. | Unit          | Conditions  | Notes |
|--------------------------------------|--------------------------|-----------------------|--------------|------|------|---------------|---|-------|
| Receiver Data Output Voltage         | Logic Low                | $V_{OL}$ (RXD-A)      |              |      | 0.5  | V             | $I_O$ (RXD-A) = 1.0 mA, For in-band EI $\geq 3.6 \mu\text{W}/\text{cm}^2$ , $\phi^{1/2} \leq 15^\circ$                            | 11    |
|                                      | Logic Low                | $V_{OL}$ (RXD-B)      |              |      | 0.5  | V             | $I_O$ (RXD-B) = 1.0 mA, For in-band EI $\geq 9.0 \mu\text{W}/\text{cm}^2$ , $\phi^{1/2} \leq 15^\circ$                            | 11    |
|                                      | Logic High               | $V_{OH}$ (RXD-A)      | $V_{CC}-0.6$ |      |      | V             | $I_{OH}$ (RXD-A) = -20 $\mu\text{A}$ , For in-band EI $\leq 0.3 \mu\text{W}/\text{cm}^2$  |       |
|                                      | Logic High               | $V_{OH}$ (RXD-B)      | $V_{CC}-1.2$ |      |      | V             | $I_{OH}$ (RXD-B) = -20 $\mu\text{A}$ , For in-band EI $\leq 0.3 \mu\text{W}/\text{cm}^2$  |       |
|                                      | Viewing Angle            | $2\phi^{1/2}$         | 30           |      |      | degrees       |   |       |
| Effective Detector Area              |                          |                       |              | 0.2  |      | $\text{cm}^2$ |   |       |
| Transmitter Radiant Intensity        | Logic High               | EI                    | 100          | 177  |      | mW/SR         | $V_{IH}$ (TXD) = 4.25 V<br>$I_{LEDA}$ = 400 mA<br>$T_A = 25^\circ\text{C}$ , $\theta^{1/2} \leq 15^\circ$                         | 10    |
|                                      |                          | EI                    | 80           | 177  | 324  | mW/SR         | $V_{IH}$ (TXD) = 4.25 V<br>$I_{LEDA}$ = 400 mA<br>$0^\circ\text{C} \leq T_A \leq 70^\circ\text{C}$ , $\theta^{1/2} \leq 15^\circ$ | 10    |
|                                      | Peak Wavelength          | $\lambda_p$           |              | 875  |      | nm            |   |       |
|                                      | Spectral Line Half Width | $\Delta\lambda^{1/2}$ |              | 35   |      | nm            |   |       |
|                                      | Viewing Angle            | $2\theta^{1/2}$       | 30           |      | 60   | degrees       |   |       |
| Transmitter Data Input Current       | Logic Low                | $I_{IL}$ (TXD)        | -2.0         |      | 2.0  | $\mu\text{A}$ | $\text{GND} \leq V_{IL}$ (TXD) $\leq 0.3$ V   | 10    |
|                                      | Logic High               | $I_{IH}$ (TXD)        | 5.4          |      | 6.6  | mA            | $V_{IH}$ (TXD) = 4.25 V   | 10    |
| LED Anode                            | On State Voltage         | $V_{ON}$ (LEDA)       |              |      | 2.78 | V             | $I_{LEDA}$ = 400 mA, 25°C<br>$V_{IH}$ (TXD) = 4.25 V  | 10    |
|                                      | Off State Leakage        | $I_{LK}$ (LEDA)       |              |      | 250  | $\mu\text{A}$ | $V_{LEDA} = V_{CC} = 5.25$ V,<br>$V_{IL}$ (TXD) = 0.3 V   | 10    |
| Supply Current                       | Idle                     | $I_{CC1}$             |              | 3    | 5.1  | mA            | $V_{CC} = 5.25$ V,<br>$V_I$ (TXD) = $V_{IL}$ , EI = 0   |       |
|                                      | Active Receiver          | $I_{CC2}$             |              | 4    | 18   | mA            | $V_{CC} = 5.25$ V,<br>$V_I$ (TXD) = $V_{IL}$ ,<br>EI $\leq 500$ mW/cm <sup>2</sup>  |       |
| Receiver Peak Sensitivity Wavelength |                          | $\lambda_p$           |              | 880  |      | nm            |   |       |

### Notes:

10. With R1, CX2 input network. See Application Circuit (Table 1) for component values. TXD refers to driver gate of R1, CX2 on application circuit.
11. Logic Low is a pulsed response. The condition is maintained for a duration dependent on pattern and strength of the incident intensity.

## Switching Specifications

Specifications hold over the Recommended Operating Conditions unless otherwise noted. Test Conditions represent worst case values for the parameters under test. Unspecified test conditions can be anywhere in their operating range. All typicals are at 25°C and 5 V unless otherwise noted.

| Parameter   | Symbol                                      | Min. | Typ. | Max. | Unit | Conditions                                  | Notes  |
|---|---|------|------|------|------|---|--------|
| Transmitter Radiant Intensity Pulse Width         | tpw (IE)                                    | 1.5  | 1.6  | 1.8  | μs   | tpw (TXD) = 1.6 μs at 115.2 K pulses/second | 12     |
|   |   | 115  | 125  | 135  | ns   | tpw (TXD) = 125 ns at 2.0 M pulses/second   | 12     |
| Transmitter Radiant Intensity Rise and Fall Times | t <sub>r</sub> (IE),<br>t <sub>f</sub> (IE) |      |      | 40   | ns   | tpw (TXD) = 125 ns at 2.0 M pulses/second   |        |
| RXD-A Pulse Width                                 | tpw (RXD-A)                                 | 1.0  |      | 7.5  | μs   | φ <sup>1/2</sup> ≤ 15°                      | 13     |
| RXD-B Pulse Width                                 | tpw (RXD-B)                                 | 75   |      | 185  | ns   | φ <sup>1/2</sup> ≤ 15°                      | 14     |
| RXD-B Pulse Width (ASK)                           |   | 0.7  | 1.0  | 1.3  | μs   | 500 kHz/50% duty cycle carrier ASK          | 15     |
| Receiver Latency Time                             | t <sub>L</sub> (RXD-B)                      |      | 0.50 | 1.0  | ms   |   | 13, 14 |
|   | t <sub>L</sub> (RXD-A)                      |      |      |      |      |   |        |

### Notes:

12. Pulse widths measured at 1.4 volts.

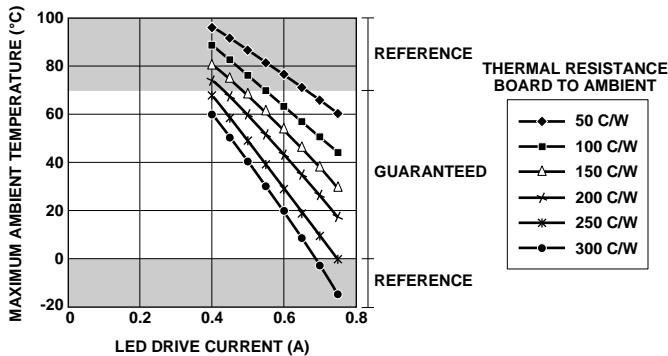
13. For In-Band signals ≤ 115.2 Kb/s where 3.6 μW/cm<sup>2</sup> ≤ EIL ≤ 500 mW/cm<sup>2</sup>.

14. For In-Band signals, 125 ns PW, 4 Mb/s, 4 PPM where 9.0 μW/cm<sup>2</sup> ≤ EI ≤ 500 mW/cm<sup>2</sup>.

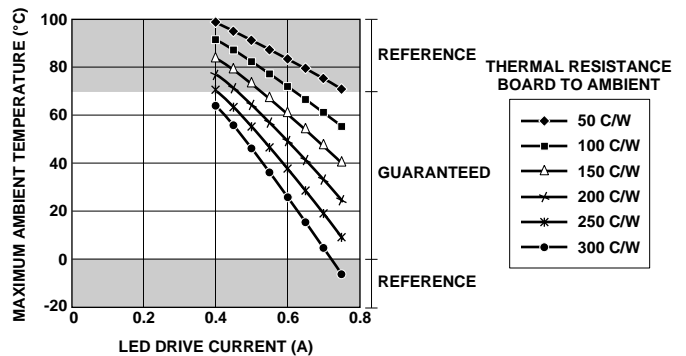
15. Pulse width specified is the pulse width of the second 500 kHz carrier pulse received in a data bit. The first 500 kHz carrier pulse may exceed 2 μs in width, which will not affect correct demodulation of the data stream. An ASK and DASK system using the HSDL-1100 has been shown to correctly receive all data bits for 9 μW/cm<sup>2</sup> < EI < 500 mW/cm<sup>2</sup> incoming signal strength. ASK or DASK should use the RXD-B channel only.

## Thermal Derating Curves

These 2 graphs show maximum allowable LED drive current as a function of ambient temperature and the designer's PCB-to-ambient thermal resistance.

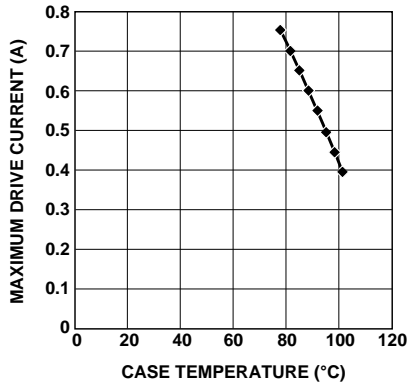


HSDL-1100#0x7 Leadform  
Max. Ambient vs. LED Drive Current



HSDL-1100#0x8 Leadform  
Max. Ambient vs. LED Drive Current

\*Note: Performance is guaranteed in the operating temperature range of 0°C - 70°C. The information provided outside of this range is for reference only.



**HSDL-1100#0x7 Leadform Max. LED Drive Current vs. Case Temperature**

**JUNCTION TO CASE MEASUREMENTS FOR HSDL-1100#0X7**

| If (mA) | MAX. CASE TEMPERATURE (°C) |
|---------|----------------------------|
| 400     | 101.3                      |
| 450     | 98.4                       |
| 500     | 95.3                       |
| 550     | 92.1                       |
| 600     | 88.7                       |
| 650     | 85.2                       |
| 700     | 81.6                       |
| 750     | 77.9                       |

## Appendix A. Test Methods

### A.1. Background Light and Electromagnetic Field

There are four ambient interference conditions in which the receiver is to operate correctly. The conditions are to be applied separately:

1. Electromagnetic field: 3 V/m maximum (refer to IEC 801-3. severity level 3 for details)
2. Sunlight: 10 kilolux maximum at the optical port

This is simulated with an IR source having a peak wavelength within the range 850 nm to 900 nm and a spectral width less than 50 nm biased to provide  $490 \mu\text{W}/\text{cm}^2$  (with no modulation) at the optical port. The light source faces the optical port.

This simulates sunlight within the IrDA spectral range. The effect of longer wavelength radiation is covered by the incandescent condition.

3. Incandescent Lighting: 1000 lux maximum

This is produced with general service, tungsten-filament, gas-filled, inside-frosted lamps in the 60 Watt to 150 Watt range to generate 1000 lux over the horizontal surface on which the equipment under test rests. The light sources are above the test area. The source is expected to have a filament temperature in the 2700 to 3050 degrees Kelvin range and a spectral peak in the 850 nm to 1050 nm range.

4. Fluorescent Lighting: 1000 lux maximum

This is simulated with an IR source having a peak wavelength within the range 850 nm to 900 nm and a spectral width of less than 50 nm biased and modulated to provide an optical square wave signal ( $0 \mu\text{W}/\text{cm}^2$  minimum and  $0.3 \mu\text{W}/\text{cm}^2$  peak amplitude with 10% to 90% rise and fall times less than or equal to 100 ns) over the horizontal surface on which the equipment under test rests. The light sources are above the test area. The frequency of the optical signal is swept over the frequency range from 20 kHz to 200 kHz.

Due to the variety of fluorescent lamps and the range of IR emissions, this condition is not expected to cover all circumstances. It will provide a common floor for IrDA operation.

**[www.agilent.com/semiconductors](http://www.agilent.com/semiconductors)**

For product information and a complete list of distributors, please go to our web site.

For technical assistance call:

Americas/Canada: +1 (800) 235-0312 or  
(408) 654-8675

Europe: +49 (0) 6441 92460

China: 10800 650 0017

Hong Kong: (+65) 6271 2451

India, Australia, New Zealand: (+65) 6271 2394

Japan: (+81 3) 3335-8152(Domestic/International), or 0120-61-1280(Domestic Only)

Korea: (+65) 6271 2194

Malaysia, Singapore: (+65) 6271 2054

Taiwan: (+65) 6271 2654

Data subject to change.

Copyright © 2002 Agilent Technologies, Inc.

Obsoletes 5980-2957EN

April 30, 2002

5988-6259EN