

**PLEASE CHECK WWW.MOLEX.COM FOR LATEST PART INFORMATION**

**Part Number:** [0548611670](#)  
**Status:** **Active**  
**Description:** 2.00mm (.079") Pitch HIC/LCD Pin Connector, Vertical, SMT, 16 Circuits, Lead Free

**Documents:**

[3D Model](#) [Product Specification PS-54861-005 \(PDF\)](#)  
[Drawing \(PDF\)](#) [RoHS Certificate of Compliance \(PDF\)](#)

**General**

Product Family Other Sockets  
 Series [54861](#)  
 Component Type Socket  
 Product Name N/A

**Physical**

Circuits (Loaded) 16  
 Color - Resin Natural  
 Durability (mating cycles max) 10  
 Entry Angle Vertical  
 Keying to Mating Part N/A  
 Material - Metal Phosphor Bronze  
 Material - Plating Mating Tin  
 Material - Plating Termination Tin  
 PCB Locator Yes  
 PCB Retention Yes  
 Packaging Type Embossed Tape on Reel  
 Pitch - Mating Interface (in) 0.079 In  
 Pitch - Mating Interface (mm) 2.00 mm  
 Temperature Range - Operating -40°C to +105°C  
 Termination Interface: Style Surface Mount

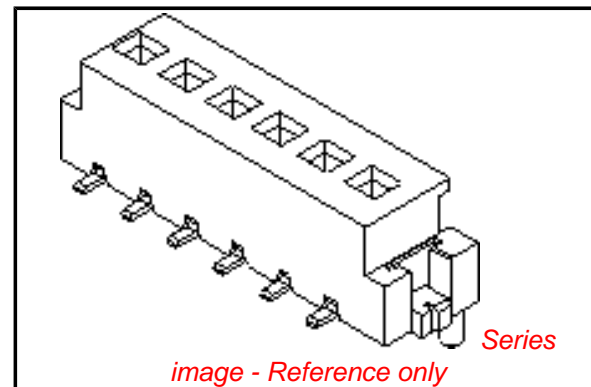
**Electrical**

Current - Maximum per Contact 1A  
 Voltage - Maximum 125V AC (RMS)/DC

**Material Info**

**Reference - Drawing Numbers**

Product Specification PS-54861-005, RPS-54861-014  
 Sales Drawing SD-54861-006, SD-54861-013



**EU RoHS**

**ELV and RoHS  
 Compliant**  
**REACH SVHC**  
 Not Reviewed  
**Halogen-Free  
 Status**  
**Not Reviewed**

**China RoHS**



**Need more information on product  
 environmental compliance?**

Email [productcompliance@molex.com](mailto:productcompliance@molex.com)  
 For a multiple part number RoHS Certificate of  
 Compliance, [click here](#)

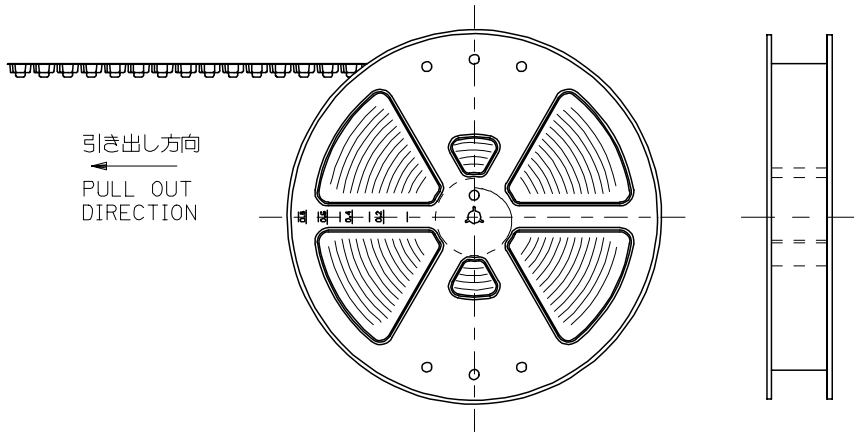
Please visit the [Contact Us](#) section for any  
 non-product compliance questions.

**Search Parts in this Series**

[54861Series](#)

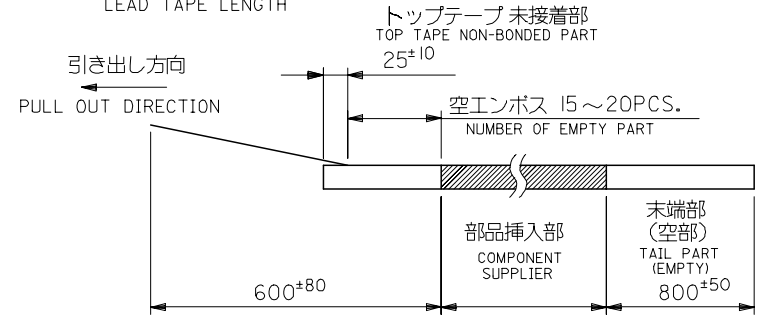
**Mates With**

LCD Pin|HIC Pin

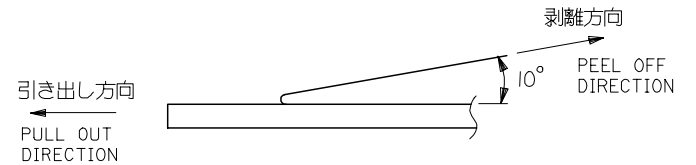


注記  
NOTES

1. 梱包数量：1000個/リール  
NUMBER OF CONNECTORS : 1000PCS/REEL
2. リードテープ長さ  
LEAD TAPE LENGTH

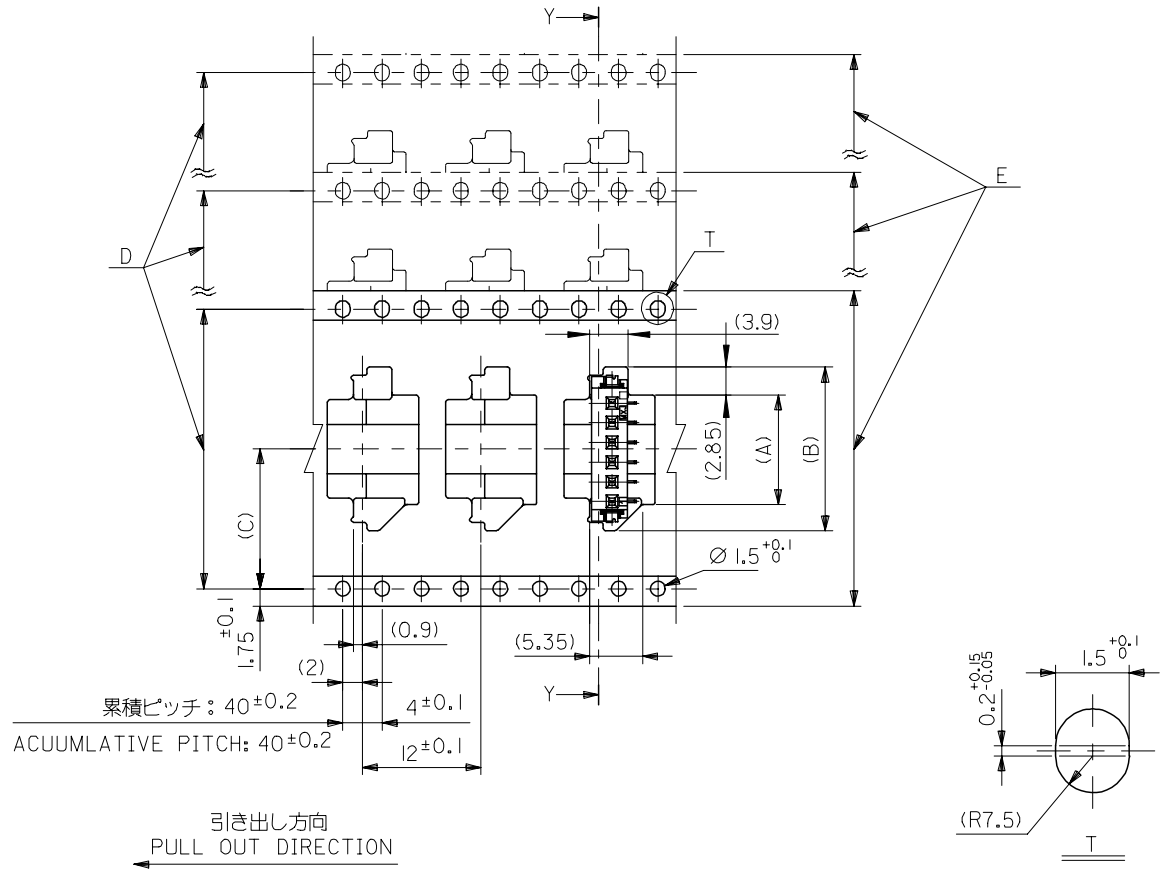
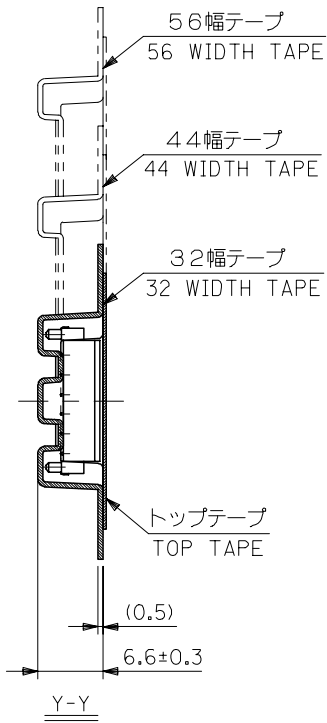


3. トップテープの剥離強度：60 ± 35gf(剥離方向は下図参照)  
尚、本規格値は、出荷時に適用。(但し、輸送時に剥離が発生しないこと。)  
PEELING OFF FORCE OF TOP TAPE : 60 ± 35gf.  
(PEELING DIRECTION AS SHOWN IN FOLLOWING FIG.)  
THIS REQUIREMENT SHOULD BE APPLIED AT SHIPMENT.  
(PEELING OFF SHOULD NOT BE ALLOWED, DURING TRANSPORTATION.)



4. 材料 (MATERIAL)  
キャリアテープ：ポリスチレン (PS)  
CARRIER TAPE : POLYSTYRENE (PS)  
トップテープ：PET, PE, PEF  
TOP TAPE : PET, PE, PEF  
リール：ポリスチレン  
REEL : POLYSTYRENE

REVISED EC NO: J2007-2110 DRWNG:SHIBATA 2007/03/12 CHKD:TAITO 2007/03/12 APPR:KANESHIGE 2007/03/14 G	GENERAL TOLERANCES (UNLESS SPECIFIED)		DIMENSION STYLE MM ONLY		SCALE ---	DESIGN UNITS METRIC	THIRD ANGLE PROJECTION	
	10 UNDER	±0.2	DRAWN BY H. TAMURA	DATE 2000/10/04	TITLE 2.0 HIC/LCD CONN. EMBOSSSED TAPE PACKAGE			
	10 <sup>0</sup> OVER 30 UNDER	±0.25	CHECKED BY M. SAKANO	DATE 2000/10/04				
	30 <sup>0</sup> OVER	±0.3	APPROVED BY T. KODAMA	DATE 2000/10/04	MOLEX INCORPORATED			
	ANGULAR	±3 °	MATERIAL NO.	DOCUMENT NO.				
DRAFT WHERE APPLICABLE MUST REMAIN WITHIN DIMENSIONS		SIZE A3	SEE CHART		SD-54861-006		1 OF 3	



REVISED EC NO: J2007-2110 DRWNG: SHIBATA 2007/03/12 CHKD: TAITO 2007/03/12 APPR: KANESHIGE 2007/03/14 G REV	GENERAL TOLERANCES (UNLESS SPECIFIED)		DIMENSION STYLE MM ONLY		SCALE 2:1	DESIGN UNITS METRIC	THIRD ANGLE PROJECTION	
	10 UNDER	±0.2	DRAWN BY H. TAMURA		DATE 2000/10/04		TITLE 2.0 HIC/LCD CONN. EMBOSSD TAPE PACKAGE	
	10 OVER 30 UNDER	±0.25	CHECKED BY M. SAKANO		DATE 2000/10/04		MOLEX INCORPORATED	
	30 OVER	±0.3	APPROVED BY T. KODAMA		DATE 2000/10/04		DOCUMENT NO. SD-54861-006	
	ANGULAR	±3 °	MATERIAL NO.		SEE CHART		SHEET NO. 2 OF 3	
DRAFT WHERE APPLICABLE MUST REMAIN WITHIN DIMENSIONS			SIZE A3		THIS DRAWING CONTAINS INFORMATION THAT IS PROPRIETARY TO MOLEX INCORPORATED AND SHOULD NOT BE USED WITHOUT WRITTEN PERMISSION			

10 9 8 7 6 5 4 3 2 1

F

E

D

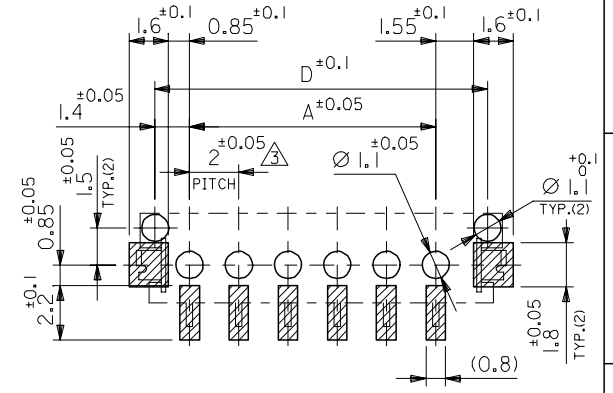
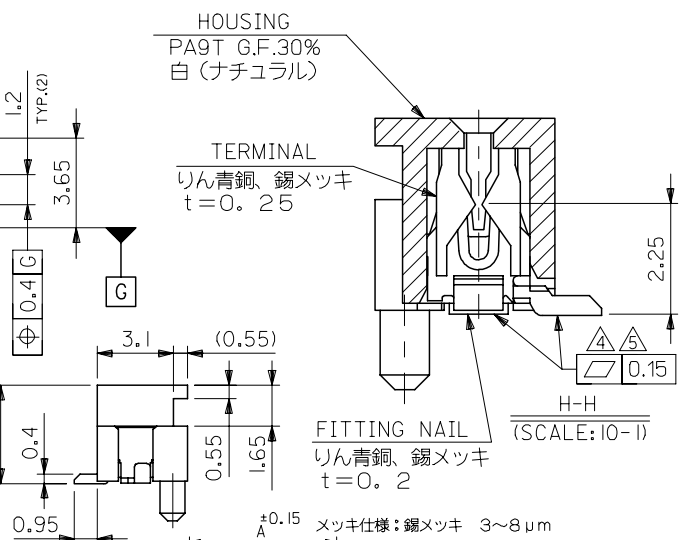
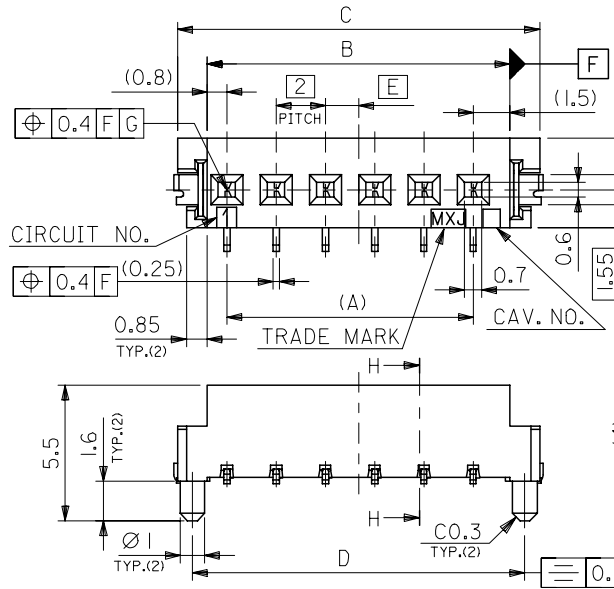
C

B

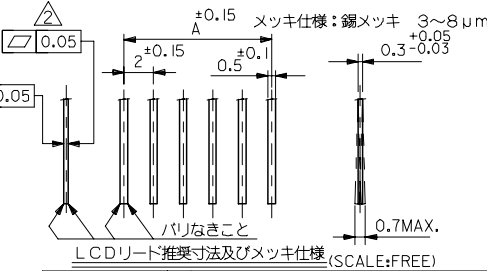
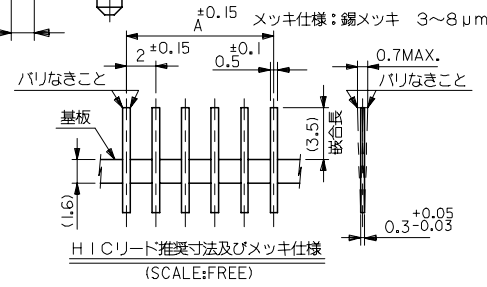
A

無鉛 LEAD FREE	56.4	56	52.4	26.2	44.6	39.3	54861-2070	20	○
					42.6	37.3	54861-1970	19	○
					40.6	35.3	54861-1870	18	—
					38.6	33.3	54861-1770	17	○
					36.6	31.3	54861-1670	16	○
					34.6	29.3	54861-1570	15	○
	44.4	44	40.4	20.2	32.6	27.3	54861-1470	14	○
					30.6	25.3	54861-1370	13	—
					28.6	23.3	54861-1270	12	○
					26.6	21.3	54861-1170	11	—
					24.6	19.3	54861-1070	10	○
					22.6	17.3	54861-0970	09	—
	32.4	32	28.4	14.2	20.6	15.3	54861-0870	08	○
					18.6	13.3	54861-0770	07	—
					16.6	11.3	54861-0670	06	○
有鉛 LEADED	56.4	56	52.4	26.2	44.6	39.3	54861-2090	20	○
					42.6	37.3	54861-1990	19	—
					40.6	35.3	54861-1890	18	—
					38.6	33.3	54861-1790	17	—
					36.6	31.3	54861-1690	16	○
					34.6	29.3	54861-1590	15	—
	44.4	44	40.4	20.2	32.6	27.3	54861-1490	14	—
					30.6	25.3	54861-1390	13	—
					28.6	23.3	54861-1290	12	○
					26.6	21.3	54861-1190	11	—
					24.6	19.3	54861-1090	10	○
					22.6	17.3	54861-0990	09	—
	32.4	32	28.4	14.2	20.6	15.3	54861-0890	08	○
					18.6	13.3	54861-0790	07	—
					16.6	11.3	54861-0690	06	○
F	E キャリアテープ幅 CARRIER TAPE WIDTH		D	(C)	(B)	(A)	製品番号 MATERIAL NO.	極数 CIRCUITS	量産対応 AVAILABLE

REVISED EC NO: J2007-2110 DRW: SHIBATA 2007/03/12 CHKD: TAITO 2007/03/12 APPR: KANESHIGE 2007/03/14 G REV	GENERAL TOLERANCES (UNLESS SPECIFIED)		DIMENSION STYLE MM ONLY		SCALE ---	DESIGN UNITS METRIC	THIRD ANGLE PROJECTION	
	10 UNDER	± 0.2	DRAWN BY H. TAMURA		DATE 2000/10/04	TITLE 2.0 HIC/LCD CONN. EMBOSSSED TAPE PACKAGE		
	10 OVER 30 UNDER	± 0.25	CHECKED BY M. SAKANO		DATE 2000/10/04	MOLEX INCORPORATED		
	30 OVER	± 0.3	APPROVED BY T. KODAMA		DATE 2000/10/04	DOCUMENT NO. SD-54861-006		
	ANGULAR	± 3 °	MATERIAL NO.		SEE CHART		SHEET NO. 3 OF 3	
DRAFT WHERE APPLICABLE MUST REMAIN WITHIN DIMENSIONS		SIZE A3		THIS DRAWING CONTAINS INFORMATION THAT IS PROPRIETARY TO MOLEX INCORPORATED AND SHOULD NOT BE USED WITHOUT WRITTEN PERMISSION				



参考基板レイアウト (マウント面)  
P.C.B. PATTERN LAYOUT (REF.)  
(MOUNT AREA)



1.35	41.5	42.7	40.3	38	54861-2019	20
0.35	39.5	40.7	38.3	36	54861-1919	19
1.35	37.5	38.7	36.3	34	54861-1819	18
0.35	35.5	36.7	34.3	32	54861-1719	17
1.35	33.5	34.7	32.3	30	54861-1619	16
0.35	31.5	32.7	30.3	28	54861-1519	15
1.35	29.5	30.7	28.3	26	54861-1419	14
0.35	27.5	28.7	26.3	24	54861-1319	13
1.35	25.5	26.7	24.3	22	54861-1219	12
0.35	23.5	24.7	22.3	20	54861-1119	11
1.35	21.5	22.7	20.3	18	54861-1019	10
0.35	19.5	20.7	18.3	16	54861-0919	9
1.35	17.5	18.7	16.3	14	54861-0819	8
0.35	15.5	16.7	14.3	12	54861-0719	7
1.35	13.5	14.7	12.3	10	54861-0619	6
E	D	C	B	A	MATERIAL NO.	CKT.

MODEL NO. 54861-\*\*19

注記  
NOTES

- 嵌合相手: HICリード、LCDリード (0.3X0.5)  
MATE WITH :HIC LEAD, LCD LEAD(0.3X0.5)
- LCDリードの反りは0.05MAX.  
CAMBER OF LCD LEAD 0.05MAX.
- 公差非累積のこと。  
NON-ACCUMULATIVE.
- 水平面上に置いて各シルダーテールと各フィッティングネイル間で維持すること。  
TO MAINTAIN AT EVERY SOLDER TAIL AND FITTING NAIL.
- リフロー後のシルダーテールとフィッティングネイルの平坦度は 0.15 MAX. とする。  
TAIL AND NAIL COPLANARITY AFTER REFLOW TO BE 0.15 MAX.

RELEASED	EC NO: J2006-3834	2006/06/20	DRW:SHIBATA	2006/06/20	CHKD:TAITO	2006/06/20	APPR:AKANESHIGE	2006/06/20	DESCRIPTION	GENERAL TOLERANCES (UNLESS SPECIFIED)
0									10 UNDER	±0.2
									10 OVER 30 UNDER	±0.25
									30 OVER	±0.3
									ANGULAR	±3 °
									DRAFT WHERE APPLICABLE MUST REMAIN WITHIN DIMENSIONS	

DIMENSION STYLE MM ONLY		SCALE 5:1	DESIGN UNITS METRIC	THIRD ANGLE PROJECTION
DRAWN BY SHSHIBATA	DATE 2006/6/20	TITLE 2.0 HIC/LCD CONN. HOUSING ASSY -LEAD FREE-		
CHECKED BY TAITO	DATE 2006/6/20	MOLEX INCORPORATED		
APPROVED BY AKANESHIGE	DATE 2006/6/20	MATERIAL NO. SEE CHART	DOCUMENT NO. SD-54861-013	SHEET NO. 1 OF 1
THIS DRAWING CONTAINS INFORMATION THAT IS PROPRIETARY TO MOLEX INCORPORATED AND SHOULD NOT BE USED WITHOUT WRITTEN PERMISSION				