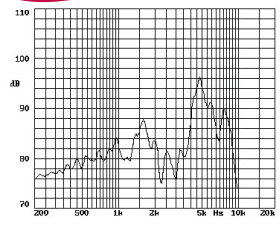
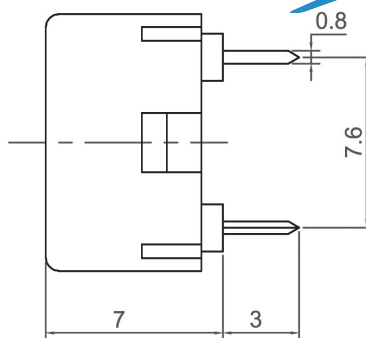
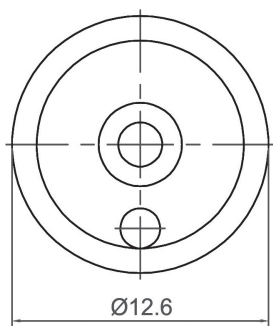
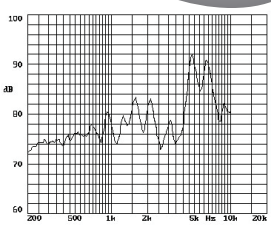
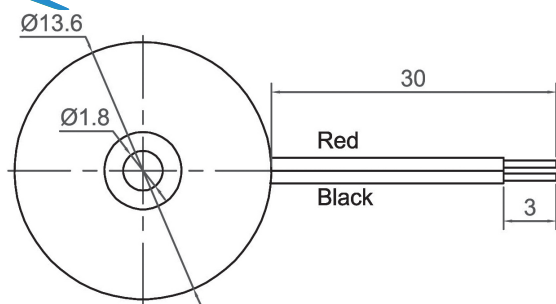
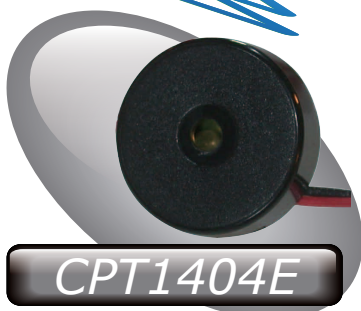


External Drive Piezo Transducer (AC)

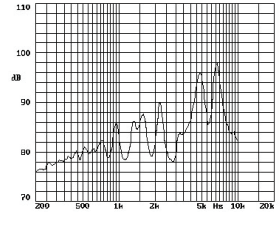
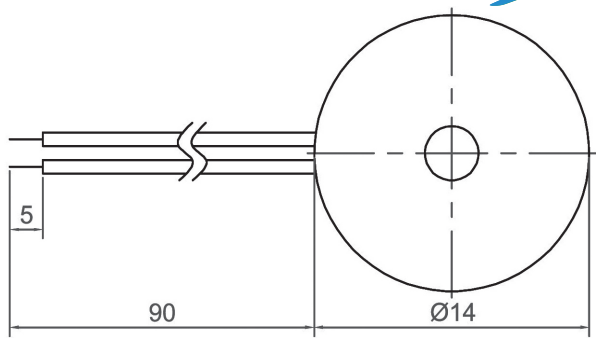
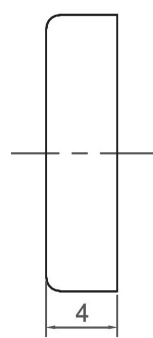


| Canopus Part no. | Min sound Output (dBA) | Rated Voltage (V) | Max Input Voltage (V) | Resonant Frequency (Hz) | Capacitance (pF) | Operating Temperature (°C) | Housing | Weight (g) |
|------------------|------------------------|-------------------|-----------------------|-------------------------|-----------------------|----------------------------|---------|------------|
| CPT1306E40TP | 80 AT 10cm | 3 Vp-p | 30 Vrms | 4000 | 14000 ± 30% at 1000Hz | -20 ~ +70 | PBT | 2 |

CANOPUS



| Canopus Part no. | Min sound Output (dBA) | Rated Voltage (V) | Max Input Voltage (V) | Resonant Frequency (Hz) | Capacitance (pF) | Operating Temperature (°C) | Housing | Weight (g) |
|------------------|------------------------|-------------------|-----------------------|-------------------------|-----------------------|----------------------------|---------|------------|
| CPT1404E48BW | 80 AT 10cm | 5 Vp-p | 30 Vrms | 4800 | 12000 ± 30% at 1000Hz | -20 ~ +60 | ABS | 3 |



| Canopus Part no. | Min sound Output (dBA) | Rated Voltage (V) | Max Input Voltage (V) | Resonant Frequency (Hz) | Capacitance (pF) | Operating Temperature (°C) | Housing | Weight (g) |
|------------------|------------------------|-------------------|-----------------------|-------------------------|-----------------------|----------------------------|---------|------------|
| CPT1404H48NW | 80 AT 10cm | 10 Vp-p | 30 Vrms | 4800 | 15000 ± 30% at 1000Hz | -20 ~ +70 | Noryl | 1 |

Your Efficient Supplier
www.canopus.com.hk

TEL.: (852) 2806 2812

Fax: (852) 2652 2216