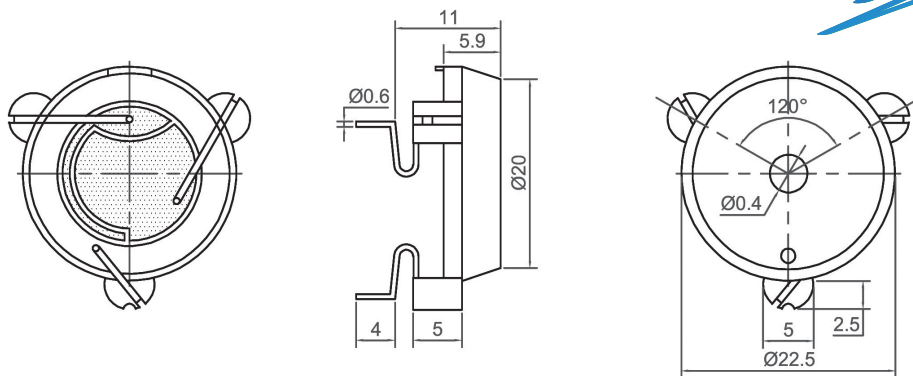
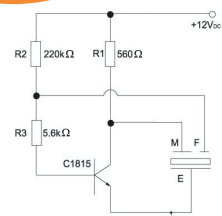


Self Drive Piezo Transducer (AC)



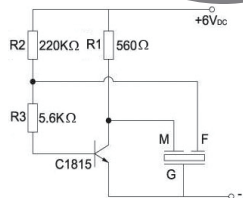
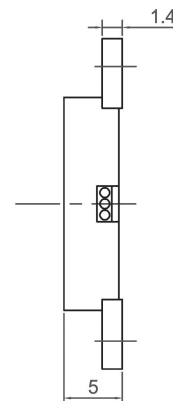
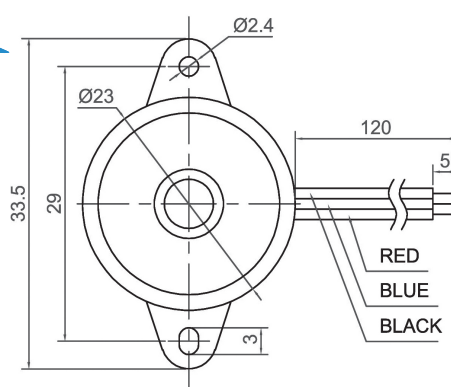
CIT2211



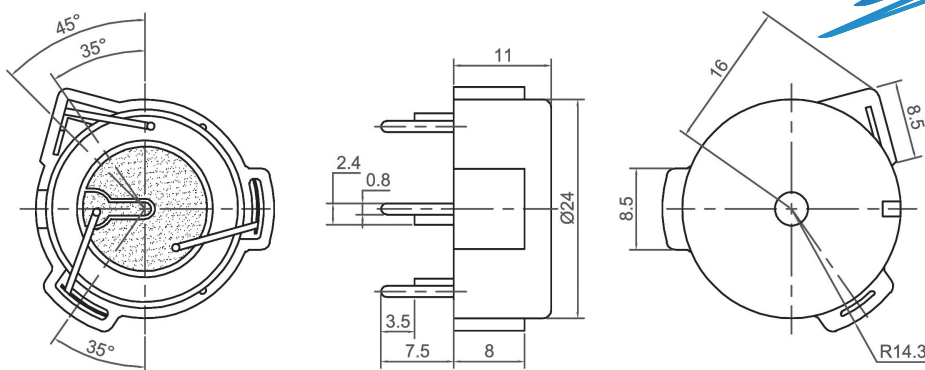
Canopus Part no.	Operating Voltage (VDC)	Rated Voltage (VDC)	Max Rated Current (mA)	Min Sound Output (dBA)	Resonant Frequency (Hz)	Operating Temperature (°C)	Housing	Terminal	Weight (g)
CIT2211H35TP	3 ~ 18	12	15	80 at 30cm	3500 ± 500	-20 ~ +60	PBT	Pin	1.7



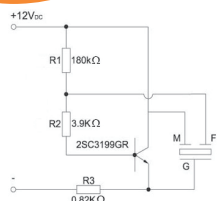
CIT2305



Canopus Part no.	Operating Voltage (VDC)	Rated Voltage (VDC)	Max Rated Current (mA)	Min Sound Output (dBA)	Resonant Frequency (Hz)	Operating Temperature (°C)	Housing	Terminal	Weight (g)
CIT2305F50BW	3 ~ 18	6	5	75 at 10cm	5000 ± 1000	-20 ~ +60	ABS	Leadwire	2



CIT2411



Canopus Part no.	Operating Voltage (VDC)	Rated Voltage (VDC)	Max Rated Current (mA)	Min Sound Output (dBA)	Resonant Frequency (Hz)	Operating Temperature (°C)	Housing	Terminal	Weight (g)
CIT2411H36TP	3 ~ 28	12	10	90 at 10cm	3600 ± 500	-20 ~ +70	PBT	Pin	4.5

CANOPUS

Your Efficient Supplier
www.canopus.com.hk

TEL.: (852) 2806 2812

Fax: (852) 2652 2216