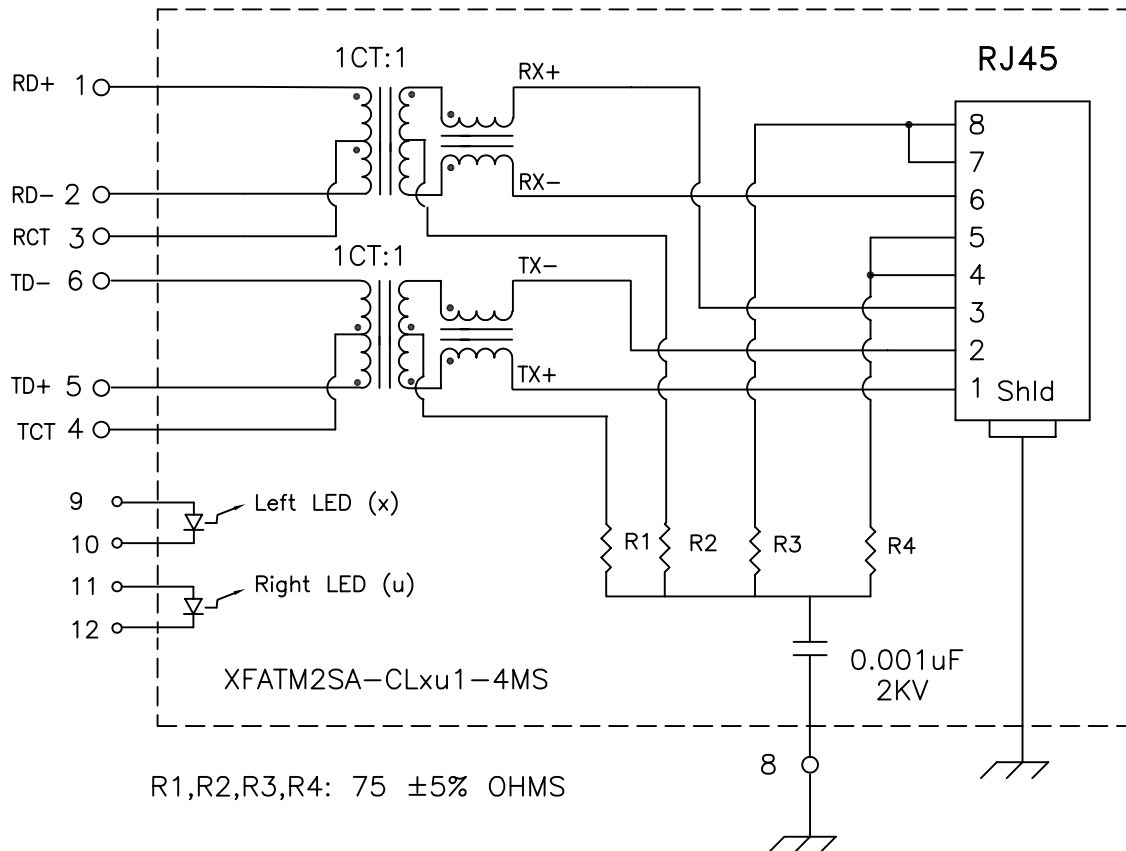


Schematic:



Electrical Specifications: @25°C

Isolation Voltage: 2250 Vrms (INPUT to OUTPUT)

UTP SIDE OCL: 350uH Min @100KHz 100mV 8mADC

Rise Time (10-90%): 2.5ns Typical

Insertion Loss (100KHz-999KHz): -1.0dB Maximum
 (1.0MHz-15.0MHz): -0.3dB Maximum
 (15.1MHz-60.0MHz): -0.6dB Maximum
 (60.1MHz-100MHz): -1.1dB Maximum

Return Loss: (100KHz-60.0MHz): -18dB Minimum
 (60.1MHz-80MHz): -15dB Minimum
 (80.1MHz-100MHz): -12dB Minimum

Crosstalk: (100KHz-60MHz): -43dB Minimum
 (60.1MHz-100MHz): -38dB Minimum

Common Mode to Differential Mode Rejection:

100KHz-60MHz -46dB Min (Tx) / -35dB Min (Rx)

60MHz-100MHz -42dB Min (Tx) / -33dB Min (Rx)

Complete the Combo P/N as follows:

Replace 'x' & 'u' in the part number with one of the five LED color letters:

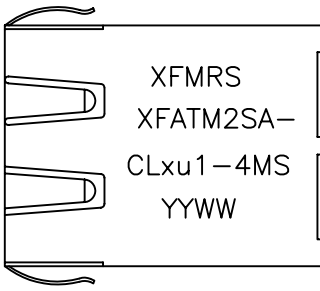
'x' = Left LED Color
 'u' = Right LED Color

Y=Yellow
 G=Green
 A=Amber
 R=Red
 YG=Yellow/Green Bicolor

DOC. REV A/1

XFMRs Inc. UNLESS OTHERWISE SPECIFIED TOLERANCES: .xxx ±0.010 Dimensions in Inch SHEET 1 OF 2	Title: SINGLE PORT COMBO		
	XFATM2SA-CLxu1-4MS		REV. A
	DWN.	廖玉坤	Jan-16-02
	CHK.	李清儿	Jan-16-02
APP.	BW	Jan-16-02	

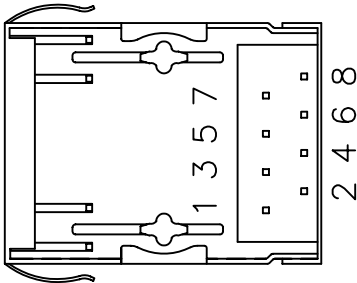
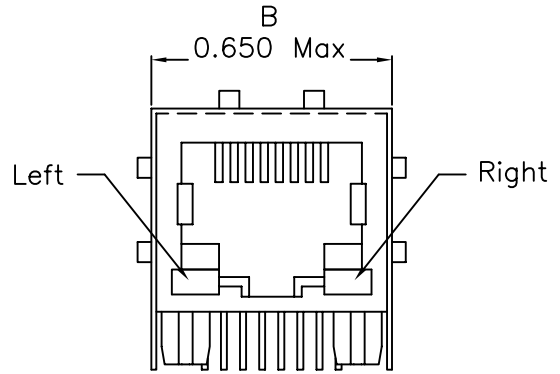
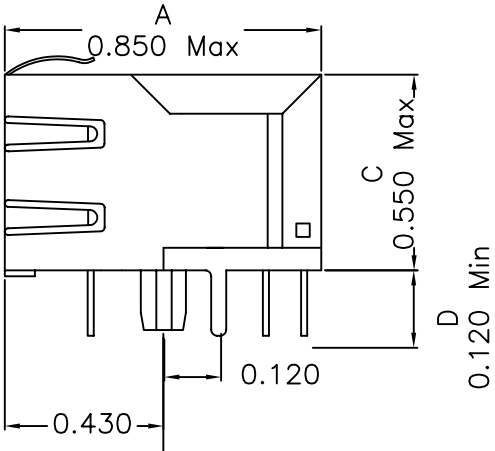
Mechanical Dimensions:



Complete the Combo P/N as follows:

Replace 'x' & 'u' in the part number with one of the five LED color letters:

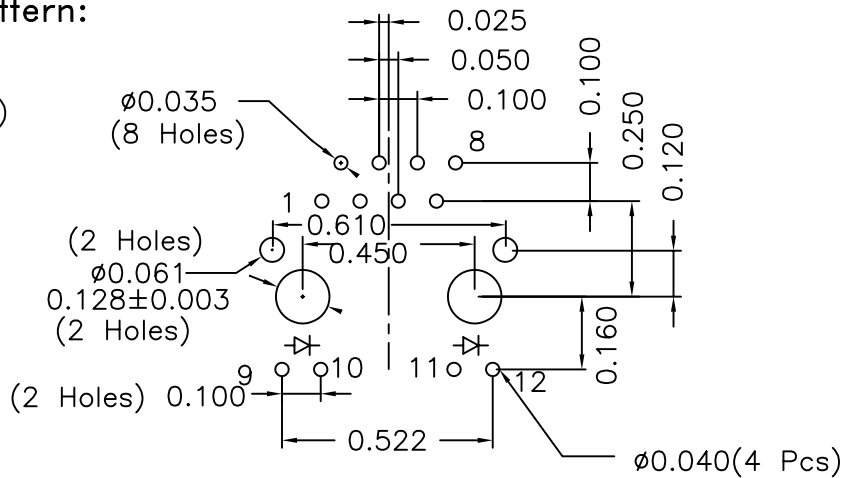
- 'x' = Left LED Color
- 'u' = Right LED Color
- Y=Yellow
- G=Green
- A=Amber
- R=Red
- YG=Yellow/Green Bicolor



(BOTTOM VIEW)

Mounting Pattern:

(COMP SIDE)



DOC. REV: A/1

XFMRS Inc.	Title: Mechanical Dimensions For CLxu1-4MS Series								
	UNLESS OTHERWISE SPECIFIED TOLERANCES: .xxx ±0.010 Dimensions in Inch	<table border="1"> <tr> <td>P/N: XFATM2SA-CLxu1-4MS</td> <td>REV. A</td> </tr> <tr> <td>DWN. 李小锋</td> <td>Jan-16-02</td> </tr> <tr> <td>CHK. 廖玉坤</td> <td>Jan-16-02</td> </tr> <tr> <td>APP. BW</td> <td>Jan-16-02</td> </tr> </table>	P/N: XFATM2SA-CLxu1-4MS	REV. A	DWN. 李小锋	Jan-16-02	CHK. 廖玉坤	Jan-16-02	APP. BW
P/N: XFATM2SA-CLxu1-4MS	REV. A								
DWN. 李小锋	Jan-16-02								
CHK. 廖玉坤	Jan-16-02								
APP. BW	Jan-16-02								
SHEET 2 OF 2	APP.								