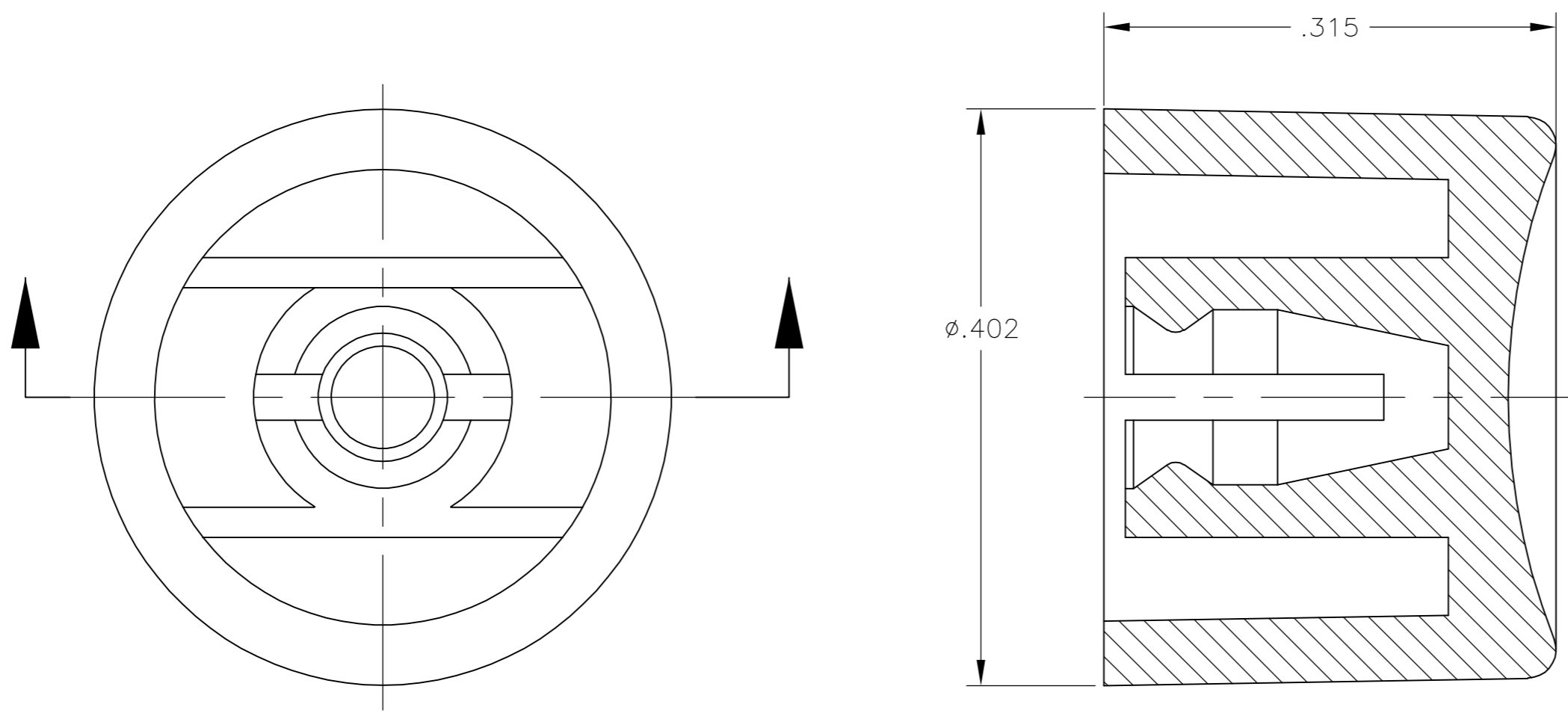


THIS DRAWING IS UNPUBLISHED. RELEASED FOR PUBLICATION
 © COPYRIGHT BY TYCO ELECTRONICS CORPORATION. ALL RIGHTS RESERVED.

| LOC | DIST | REVISIONS | | | |
|-----|------|-------------|-------------|---------|-------|
| P | LTR | DESCRIPTION | DATE | DWN | APVD |
| AD | 00 | A | ECO-06-1882 | 13JAN06 | MZ MZ |

1. MATERIAL SHALL COMPLY WITH EU DIRECTIVE 2002/95/EC OF 20JAN2003 (ROHS)
2. CAP FOR USE WITH GREEN SERIES PUSHBUTTON SWITCHES AS SHOWN ON DRAWINGS 1805040 AND 1805041.



| | | |
|--------|------------------|------------------|
| WHITE | C22904 | 1825068-7 |
| BLUE | C22604 | 1825068-6 |
| GREEN | C22504 | 1825068-5 |
| YELLOW | C22404 | 1825068-4 |
| ORANGE | C22304 | 1825068-3 |
| RED | C22204 | 1825068-2 |
| BLACK | C22004 | 1825068-1 |
| COLOR | ALCO PART NUMBER | TYCO PART NUMBER |

| | | | | | | | | | | | | | | | | | | | | | | | |
|--|-----------|--------|----------|---------------|---|-------|---|---|-------|---|---|-------|---|------|-------|---|---|--------|---|----|--------------|------|--|
| THIS DRAWING IS A CONTROLLED DOCUMENT. | | DWN | M.BINNER | 30NOV04 | Tyco Electronics Corporation Harrisburg, PA 17105-3608 | | | | | | | | | | | | | | | | | | |
| DIMENSIONS: INCHES | | CHK | M.ZITTO | 30NOV04 | | | | | | | | | | | | | | | | | | | |
| TOLERANCES UNLESS OTHERWISE SPECIFIED: | | APVD | M.ZITTO | 30NOV04 | | | | | | | | | | | | | | | | | | | |
| <table border="0"> <tr><td>0 PLC</td><td>±</td><td>-</td></tr> <tr><td>1 PLC</td><td>±</td><td>-</td></tr> <tr><td>2 PLC</td><td>±</td><td>-</td></tr> <tr><td>3 PLC</td><td>±</td><td>.003</td></tr> <tr><td>4 PLC</td><td>±</td><td>-</td></tr> <tr><td>ANGLES</td><td>±</td><td>1°</td></tr> </table> | | 0 PLC | ± | - | | 1 PLC | ± | - | 2 PLC | ± | - | 3 PLC | ± | .003 | 4 PLC | ± | - | ANGLES | ± | 1° | PRODUCT SPEC | NAME | |
| 0 PLC | ± | - | | | | | | | | | | | | | | | | | | | | | |
| 1 PLC | ± | - | | | | | | | | | | | | | | | | | | | | | |
| 2 PLC | ± | - | | | | | | | | | | | | | | | | | | | | | |
| 3 PLC | ± | .003 | | | | | | | | | | | | | | | | | | | | | |
| 4 PLC | ± | - | | | | | | | | | | | | | | | | | | | | | |
| ANGLES | ± | 1° | | | | | | | | | | | | | | | | | | | | | |
| MATERIAL | POLYAMIDE | FINISH | - | WEIGHT | - | | | | | | | | | | | | | | | | | | |
| CUSTOMER DRAWING | | SCALE | 10:1 | SHEET | 1 of 1 | | | | | | | | | | | | | | | | | | |
| REV | | A | | RESTRICTED TO | | | | | | | | | | | | | | | | | | | |

1825068