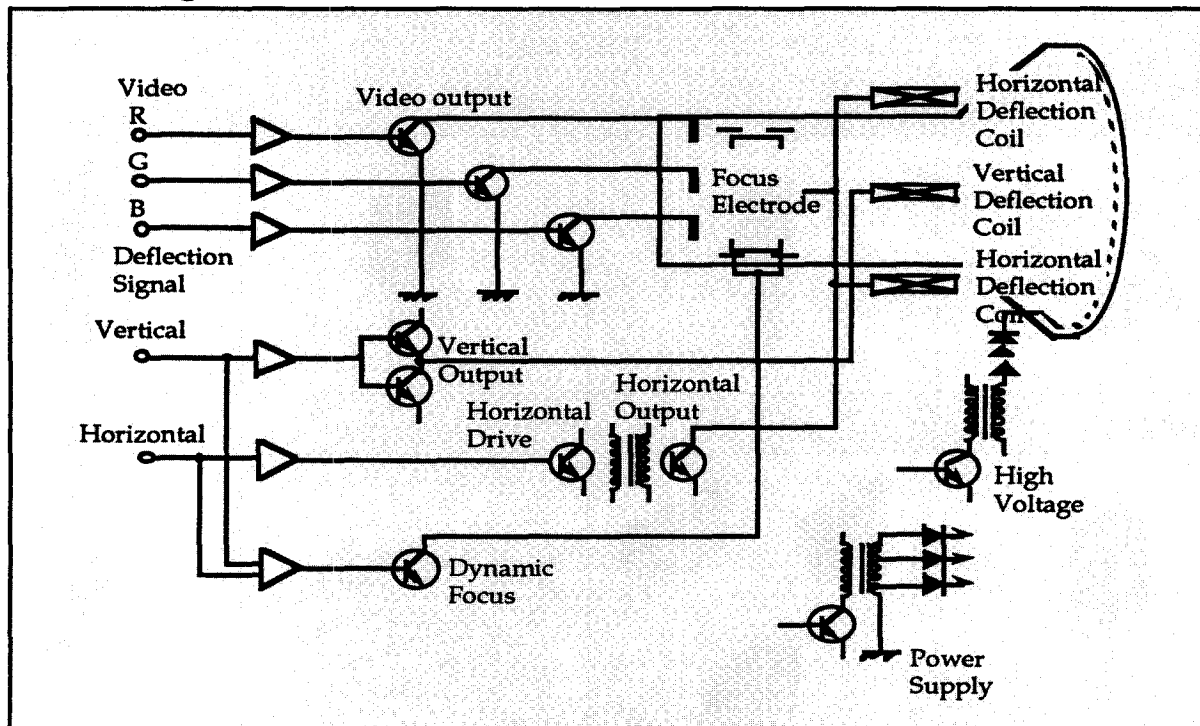


5.9 Television and CRT Displays

Block Diagram



Product Range

Application / Function		Television					Monitor		
		Standard TV			Wide TV		Medium Res.	High Res.	Super High
		Small	Medium	Large	NTSC	HDTV	24 - 100KHz	64 - 100KHz	100KHz
Horizontal Deflection	Drive	2SC2610	2SC2611	2SC2611	2SC2611	2SK296	2SC2611	2SK296	2SK296
	Out	2SD2299	2SD2300	2SC4746 2SC4589 2SC4692	2SC4880 2SC4896 2SC4897	2SC4896 2SC4897 2SC4789 GN17020E	2SC4744 2SC4927 2SC4746A 2SC4877	2SC4746A 2SC4897 2SC4789	2SK646 2SK1835
Video Amp	Drive	HA1151CNT *			2SC3652 2SC4367	2SC3652 2SC4367	2SC4367 2SC4934	2SC4308 2SC4529	2SC3337
	Out	2SC2610	2SC2611	2SC2611 2SC4828	2SC2611 2SC4828	HS72055 HS72056	2SC4046 2SC4934	2SC4046 2SC4708	2SK619 2SK1197
Power Supply	Drive	HA16107 *							
	Out	-	-	2SK1225 2SK1206	2SK1268 2SK1269	2SK1268 2SK1269	2SK1225 2SK1268	2SK1225 2SK1268	2SK1225 2SK1268
Dynamic Focus		-	-	-	2SC4913 2SC4914	2SC4913 2SC4914	2SC4913 2SC4914	2SC4913 2SC4914	2SC4913 2SC4914

* : Hitachi's Linear IC