

FEATURES

PETERMANN

TECHNIK

Time & Frequency Components

- HIGH RELIABILITY FOR LOW COST
- FREQUENCY STABILITY TO +/-15 PPM
- AVAILABLE IN 5.0 AND 3.3 VOLT
- VERY LOW PERIOD JITTER RMS 8 PS MAX.
- EXTENDED TEMPERATURE RANGE TO -40/+85°C

SERIES		SXO-1109	
PACKAGE		Metal package 11.4 x 9.6 x 5.0 mm ³	
FREQUENCY RANGE	5.0 VOLT	1.5 ~ 125.0 MHz	
	3.3 VOLT	1.5 ~ 125.0 MHz	
FREQUENCY STABILITY		+-15 ~ +-100 PPM	
OPERATING TEMPERATURE RANGE		-10/+60°C ~ -40/+85°C	
STORAGE TEMPERATURE RANGE		-55/+125°C	
INPUT	VOLTAGE	+5.0 VDC +-10%	
		+3.3 VDC +-10%	
	CURRENT	30 mA max. < 24.0 MHz	
		40 mA max. < 50.0 MHz	
		60 mA max. < 80.0 MHz	
		80 mA max. < 125.0 MHz	
		40 mA max. < 125.0 MHz	
OUTPUT	SYMMETRY	STANDARD	40/60%
		OPTION	45/55%
	RISE AND FALL TIME		10 ns max.
	"0" LEVEL	TTL 5 VOLT	0.4 V max.
	"1" LEVEL		+2.4 V min.
	"0" LEVEL	HCMOS 5 VOLT	0.4 V (10% VDD) max.
	"1" LEVEL		+4.5 V (90%VDD) min.
	"0" LEVEL	HCMOS 3.3 VOLT	0.1 V (10% VDD) max.
	"1" LEVEL		+2.97 V (90%VDD) min.
	LOAD	TTL	1 ~ 10 TTL
HCMOS		15 ~ 50 pF	
PIN 1	STANDARD	WITHOUT ENABLE/DISABLE FUNCTION	
	OPTION	WITH ENABLE/DISABLE FUNCTION	
PERIOD JITTER RMS		8 ps max.	

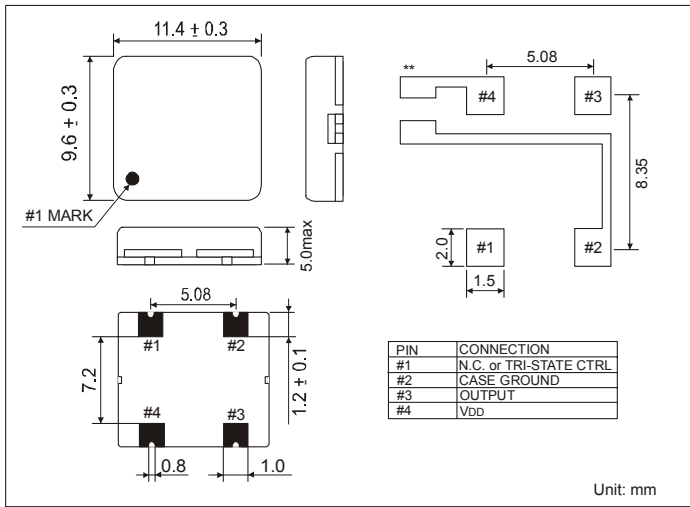
OTHER PARAMETERS ARE AVAILABLE ON REQUEST / CREATE HERE YOUR SPECIFICATION

PART NUMBERING SYSTEM

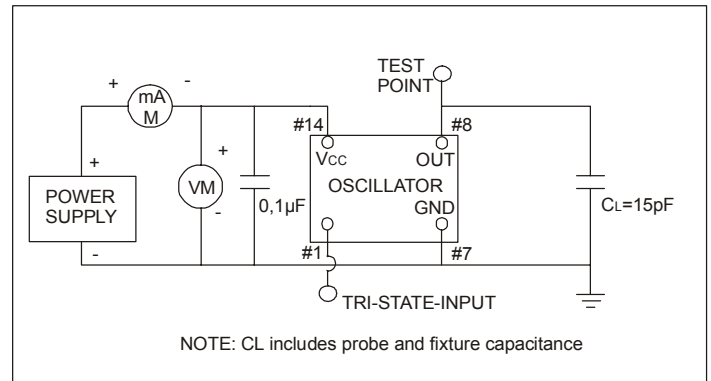
EXAMPLE	SXO3-1109-S-E-50-W-27.000MHz-T
---------	--------------------------------

SERIES	SXO-1109 FOR 5 VOLT
	SXO3-1109 FOR 3.3 VOLT
SYMMETRY	BLANK FOR 40/60%
	S FOR 45/55%
PIN 1 ENABLE/DISABLE	BLANK FOR NO E/D
	E FOR E/D
FREQUENCY STABILITY	BLANK FOR 100 PPM
	ANY 15 ~ 50 PPM
TEMPERATURE RANGE	BLANK FOR 0/+70°C
	N = -10/+60°C
	M = -20/+70°C
	W = -40/+85°C
FREQUENCY	FREQUENCY IN MHz
TAPE AND REEL	-T

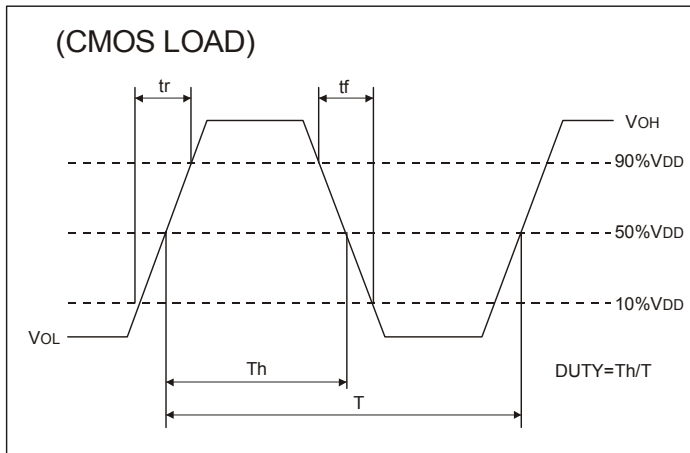
OUTLINE DRAWING OF SXO-1109



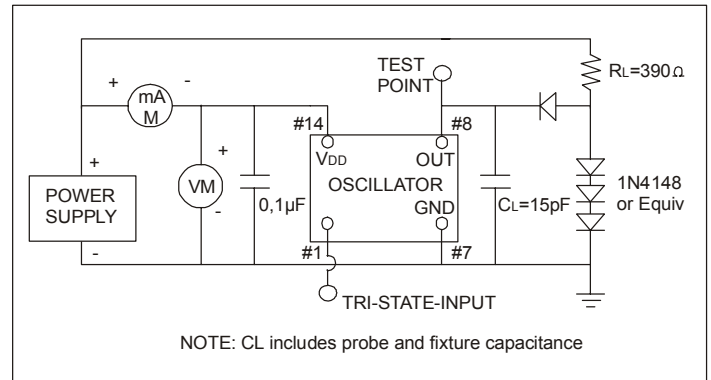
TEST CIRCUIT CMOS



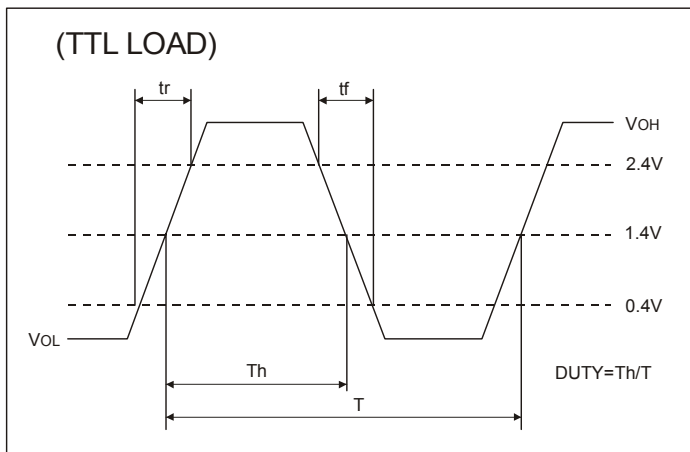
OUTPUT WAVE FORM CMOS



TEST CIRCUIT TTL



OUTPUT WAVE FORM TTL



REFLOW SOLDERING PROFILE

