

SERIES ULP SWITCHES

PUSHBUTTON SWITCHES - LIGHTED



SPECIFICATIONS

Contact Rating: Gold, 0.4VA Max @ 28V (AC or DC)
Silver, 0.5A @ 25VDC; 0.2A @ 250VAC

Life Expectancy (Mechanical): 1,000,000 cycles

Life Expectancy (Electrical): 200,000 cycles silver
200,000 cycles gold

Contact Resistance: 50mΩ silver, 100mΩ gold (initial max)

Insulation Resistance: 100MΩ @ 500 VDC

Dielectric Strength: 1000VAC for 60 seconds

Actuation Force: 200 ±100 grams SPDT
300 ±150 grams DPDT

Operating Temperature: -20°C to 70°C

FEATURES & BENEFITS

- ▶ Positive tactile response
- ▶ Available in illuminated or non-illuminated
- ▶ Many color options available

APPLICATIONS/MARKETS

- ▶ Telecommunications/Networking
- ▶ Performance audio
- ▶ Instrumentation
- ▶ Low power on/off designs
- ▶ Computers/servers/peripherals

HOW TO ORDER

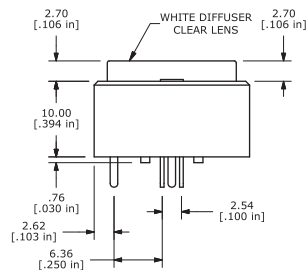
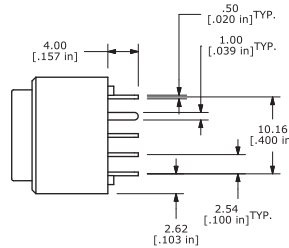
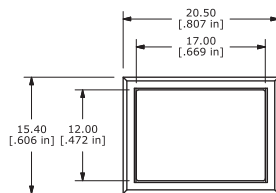
SERIES	MODEL	MECHANICAL CONFIGURATION	TERMINATION	CONTACT MATERIAL	CAP STYLE	CAP COLOR	LED #1	LED #2
ULP	<input type="checkbox"/> <input type="checkbox"/>	<input type="checkbox"/> <input type="checkbox"/>	<input type="checkbox"/> <input type="checkbox"/>	<input type="checkbox"/>	<input type="checkbox"/> <input type="checkbox"/>	<input type="checkbox"/> <input type="checkbox"/> <input type="checkbox"/>	<input type="checkbox"/> <input type="checkbox"/> <input type="checkbox"/>	<input type="checkbox"/> <input type="checkbox"/> <input type="checkbox"/>
	12 = SPDT 22 = DPDT	EE = Latching OA = Momentary	P1 = PC pins M1 = Solder lugs*	Q = Silver R = Gold	SS = Square/ Sculptured SF = Square Flat RF = Rectangular Flat PM = Panel Mount LS = Large Sculptured	CL1 = Clear Lens/ White Diffuser OP1 = Black Opaque/ No LED	BLU = Blue GRN = Green RED = Red NIL = No LED	BLU = Blue GRN = Green RED = Red NIL = No LED

Example Ordering Number
ULP-12-EE-P1-Q-SF-CL1-RED-GRN

*Note: PM version only

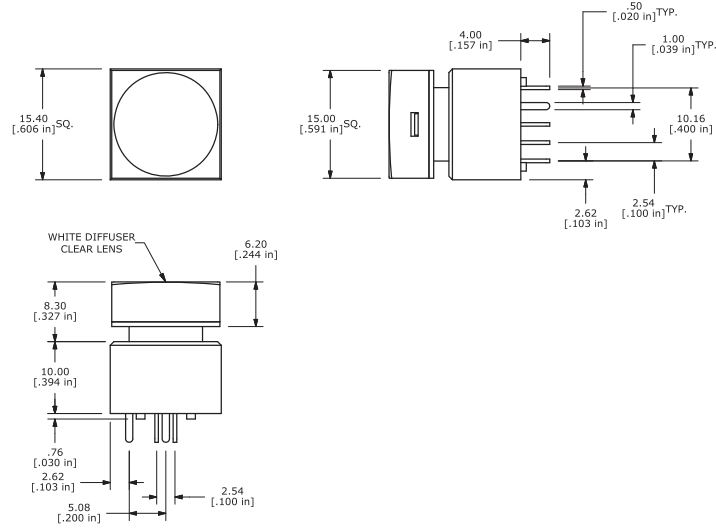
Specifications subject to change without notice.

RECTANGULAR FLAT

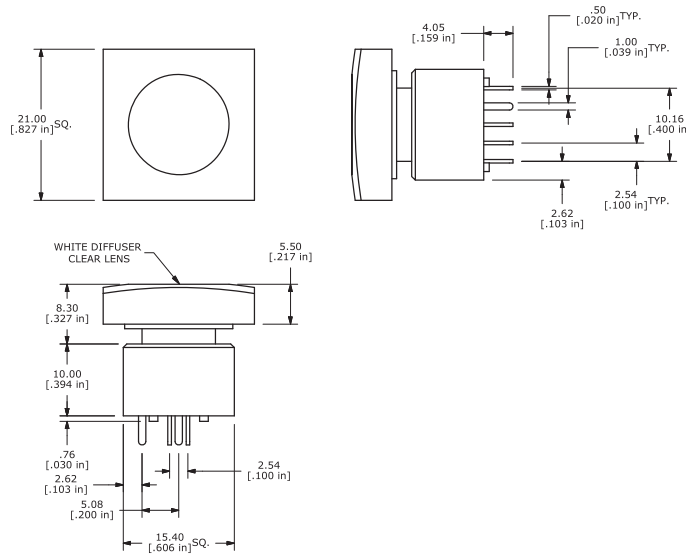




SQUARE SCULPTURED



LARGE SCULPTURED



TACT SWITCHES

NAVIGATION SWITCHES

PUSHBUTTON SWITCHES

TOGGLE SWITCHES

ROCKER SWITCHES

SLIDE SWITCHES

SNAP-ACTION SWITCHES

DIP SWITCHES

KEYLOCK SWITCHES

ROTARY SWITCHES

DETECTOR SWITCHES

CAP OPTIONS

SERIES ULP SWITCHES

PUSHBUTTON SWITCHES - LIGHTED

TACT SWITCHES

NAVIGATION SWITCHES

PUSHBUTTON SWITCHES

TOGGLE SWITCHES

ROCKER SWITCHES

SLIDE SWITCHES

SNAP-ACTION SWITCHES

DIP SWITCHES

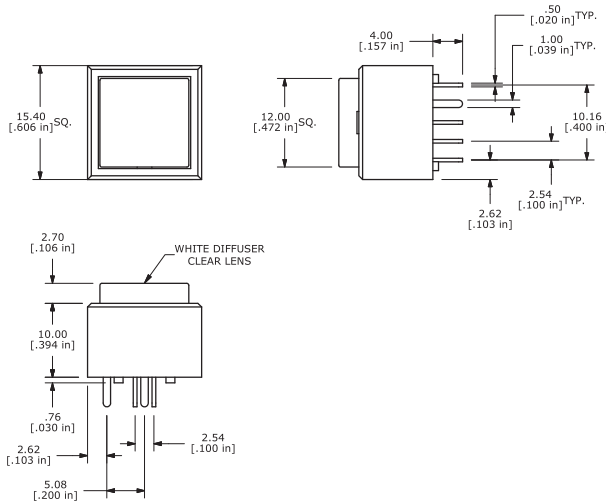
KEYLOCK SWITCHES

ROTARY SWITCHES

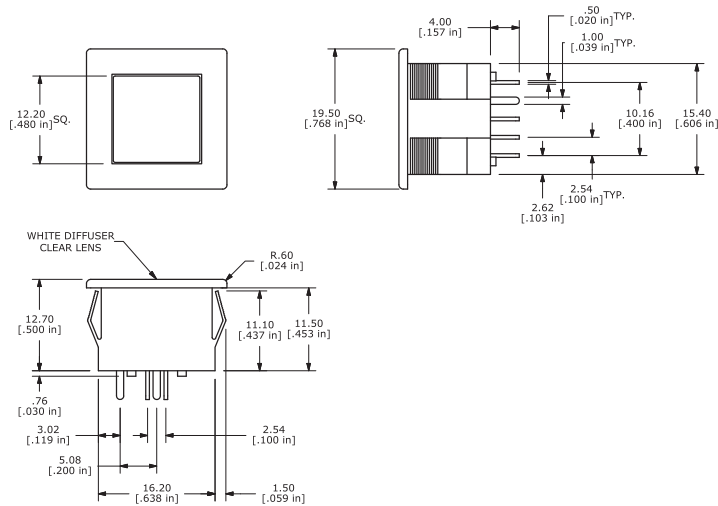
DETECTOR SWITCHES

CAP OPTIONS

SQUARE FLAT

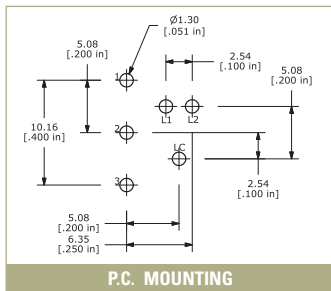


PANEL MOUNT

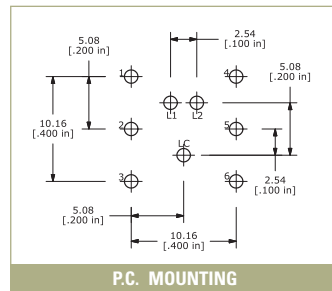


OPTIONS

SPDT



DPDT



PANEL MOUNTING

SCHEMATIC

PANEL MOUNTING

SCHEMATIC