



## 6-ns BiCMOS PAL<sup>®</sup> with Output Latches

### Features

- Very high performance decoder with latched outputs
  - $t_{PD} = 6$  ns
  - $t_{LEO} = 5.5$  ns
  - $t_{IS} = 3$  ns
- 12 inputs
- 8 latched outputs
- 2 product terms per output
- Asynchronous output enable
- Power-on reset
- High noise immunity
- >2001V input protection from electrostatic discharge
- Advanced BiCMOS technology

- Available in 28-pin 300-mil PDIP and CerDIP, and in SOJ, PLCC, and LCC packages

### Functional Description

The CY7B338 is a 6-ns, 28-pin programmable logic device specially designed for decoding applications with high-performance general-purpose processors and fast state machines.

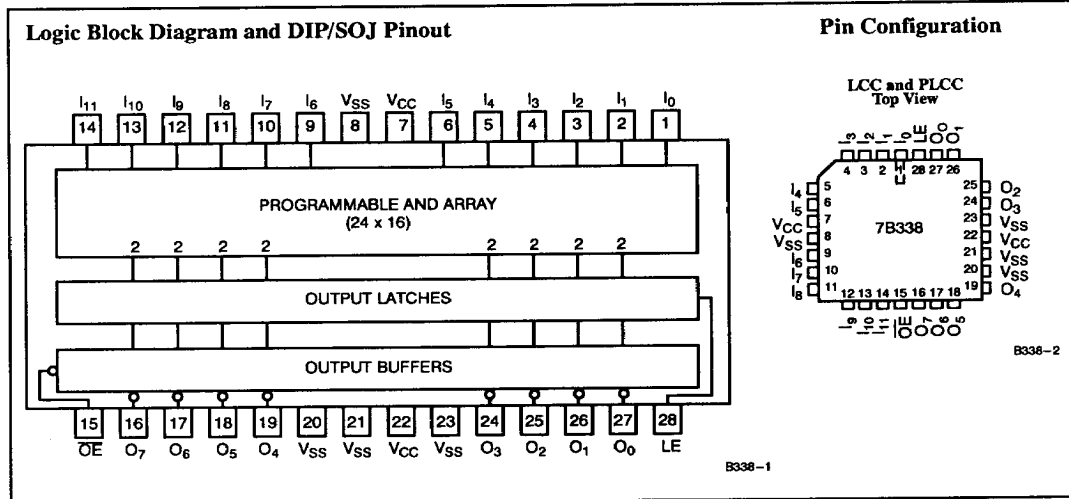
There are twelve inputs that feed into the 24 by 16 programmable array. Processed data from the programmable array is delivered to the eight output latches. When the latch enable input is HIGH, the output latches are transparent and data from the array is available to the output buffers. When the latch enable input goes from HIGH to LOW, the latch contents are frozen.

There are two product terms per output. However, only one product term is used to sum products from the array; the other product term is used to control the three-state output buffers. This output enable product term is ANDed with the complement of the output enable input pin to generate the output enable signal for each output buffer.

Additional features of the CY7B338 include a power-on reset circuit that initializes all output latches to a "0" upon power-up, and six centrally located power pins (two  $V_{CC}$  pins and four ground pins), which improve noise margins.

The CY7B338 is available in a wide variety of package types including 28-pin, 300-mil plastic and ceramic DIPs, SOJs, LCCs, and PLCCs.

4  
PLDS



### Selection Guide

Generic Part Number	$t_{PD}$ (ns)		$t_{LEO}$ (ns)		$I_{CC}$ (mA)		$t_{IS}$ (ns)	
	Com'l	Mil	Com'l	Mil	Com'l	Mil	Com'l	Mil
7B338-6	6		5.5		180		3	
7B338-7		7		6.5		180		4
7B338-8	8		7.5		180		5	
7B338-10		10		8		180		5
7B338-12		12		9.5		180		6

PAL is a registered trademark of Monolithic Memories Inc.

**Maximum Ratings**

(Above which the useful life may be impaired. For user guidelines, not tested.)

- Storage Temperature ..... - 65°C to +150°C
- Ambient Temperature with Power Applied ..... - 55°C to +125°C
- Supply Voltage to Ground Potential (Pins 7 and 22 to Pins 8, 20, 21, and 23) ..... - 0.5V to +7.0V
- DC Voltage Applied to Outputs in High Z State ..... - 0.5V to +V<sub>CC</sub> Max.
- DC Input Voltage ..... - 0.5V to +V<sub>CC</sub>+0.5V
- Output Current into Outputs (LOW) ..... 12 mA
- DC Input Current (Except during programming) ..... - 30 mA to +5 mA

- DC Programming Voltage ..... 9.5V
- Static Discharge Voltage ..... > 2001V (per MIL-STD-883 Method 3015)
- Latch-Up Current ..... > 200 mA

**Operating Range**

Range	Ambient Temperature	V <sub>CC</sub>
Commercial	0°C to +70°C	5V ± 10%
Military <sup>[1]</sup>	- 55°C to +125°C	5V ± 10%

**Electrical Characteristics Over the Operating Range**

Parameters	Description	Test Conditions	7B338		Units
			Min.	Max.	
V <sub>OH</sub>	Output HIGH Voltage	V <sub>CC</sub> = Min., V <sub>IN</sub> = V <sub>IH</sub> or V <sub>IL</sub> I <sub>OH</sub> = - 4 mA I <sub>OH</sub> = - 3 mA	Com'l Mil	2.4 2.4	V
V <sub>OL</sub>	Output LOW Voltage	V <sub>CC</sub> = Min., V <sub>IN</sub> = V <sub>IH</sub> or V <sub>IL</sub> I <sub>OL</sub> = 12 mA I <sub>OL</sub> = 8 mA	Com'l Mil	0.4 0.4	V
V <sub>IH</sub>	Input HIGH Level	Guaranteed Input Logical HIGH Voltage for All Inputs		2.2	V
V <sub>IL</sub>	Input LOW Level	Guaranteed Input Logical LOW Voltage for All Inputs		0.8	V
I <sub>IX</sub>	Input Leakage Current	V <sub>CC</sub> = Max., 0.4V ≤ V <sub>IN</sub> ≤ 2.7V		- 250	μA
I <sub>OZ</sub>	Output Leakage Current	V <sub>CC</sub> = Max., 0.4V ≤ V <sub>OUT</sub> ≤ 2.7V		- 100	μA
I <sub>SC</sub>	Output Short Circuit Current	V <sub>CC</sub> = Max., V <sub>OUT</sub> = 0.5V <sup>[2]</sup>		- 30	- 130 mA
I <sub>CC</sub>	Power Supply Current	V <sub>CC</sub> = Max., Outputs Disabled (in High Z State), Device Operating at f <sub>MAX</sub>	Com'l Mil	180 180	mA

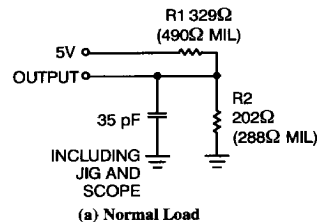
**Capacitance<sup>[3]</sup>**

Parameters	Description	Typ.	Max.	Units
C <sub>IN</sub>	Input Capacitance	11	10	pF
C <sub>OUT</sub>	Output Capacitance	9	10	pF

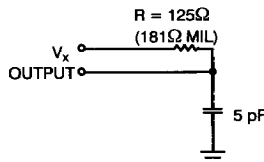
**Notes:**

1. T<sub>A</sub> is the "instant on" case temperature.
2. Not more than one output should be tested at a time. Duration of the short circuit should not be more than one second. V<sub>OUT</sub> = 0.5V has been chosen to avoid test problems caused by tester ground degradation.
3. Tested initially and after any design or process changes that may affect these parameters.
4. The normal test load is used for all parameters except for t<sub>ER</sub>, t<sub>EA</sub>, t<sub>PXZ</sub>, and t<sub>PZX</sub>, which are tested using the three-state load.

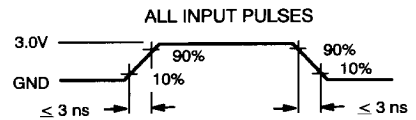
**AC Test Loads and Waveforms<sup>[4]</sup>**



B338-3

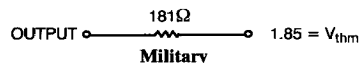
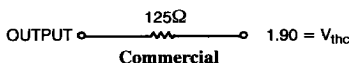


B338-5

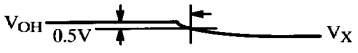
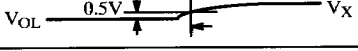
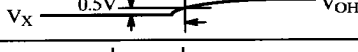



B338-4

Equivalent to: THÉVENIN EQUIVALENTS



**AC Test Loads and Waveforms (continued)**

Parameter	V <sub>X</sub>	Output Waveform—Measurement Level
t <sub>ER</sub> (-) t <sub>PXZ</sub> (-)	1.5V	
t <sub>ER</sub> (+) t <sub>PXZ</sub> (+)	2.6V	
t <sub>EA</sub> (+) t <sub>PZX</sub> (+)	V <sub>thc</sub>	
t <sub>EA</sub> (-) t <sub>PZX</sub> (-)	V <sub>thc</sub>	

**4**
**PLDS**
**Switching Characteristics Over the Operating Range<sup>[5]</sup>**

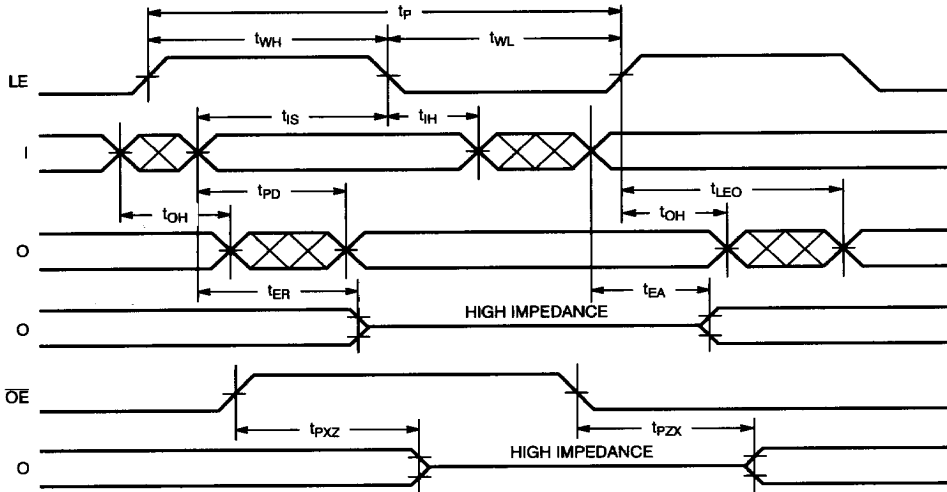
Parameters	Description	Commercial				Military						Units
		6		8		7		10		12		
		Min.	Max.	Min.	Max.	Min.	Max.	Min.	Max.	Min.	Max.	
t <sub>PD</sub>	Input to Output Propagation Delay		6		8		7		10		12	ns
t <sub>P</sub>	Clock Period (t <sub>WH</sub> + t <sub>WL</sub> ) <sup>[3]</sup>	6.4		8.8		7.6		10.4		12.4		ns
f <sub>MAXD</sub>	Maximum Frequency Data Path (1/t <sub>P</sub> ) <sup>[3]</sup>		156		113		131		96		80	MHz
t <sub>WH</sub>	Latch Enable HIGH <sup>[3]</sup>	3.2		4.4		3.8		5.2		6.2		ns
t <sub>WL</sub>	Latch Enable LOW <sup>[3]</sup>	3.2		4.4		3.8		5.2		6.2		ns
t <sub>LEO</sub>	Latch Enable to Output Delay		5.5		7.5		6.5		8		9.5	ns
t <sub>LOH</sub>	Output Hold After Latch Enable	0		0		0		0		0		ns
t <sub>IS</sub>	Input Set-Up Time	3		5		4		5		6		ns
t <sub>IH</sub>	Input Hold Time	0.5		0.5		0.5		0.5		0.5		ns
t <sub>ER</sub>	Input to Output Disable Delay <sup>[6]</sup>		9		13		11		14		17	ns
t <sub>EA</sub>	Input to Output Enable Delay		9		13		11		14		17	ns
t <sub>PXZ</sub>	Pin 15 to Output Disable Delay <sup>[5]</sup>		7		10		8.5		11.5		14.5	ns
t <sub>PZX</sub>	Pin 15 to Output Enable Delay		7		10		8.5		11.5		14.5	ns
t <sub>PR</sub>	Power-Up Reset Time <sup>[7]</sup>		1		1		1		1		1	μs

**Notes:**

5. AC test load is used for all parameters except where noted.
6. This parameter is measured as the time that the previous output data state remains stable after the output disable signal is received. This delay is measured to the point at which a previous HIGH level has fallen to 0.5 volts below V<sub>OH</sub> Min. or a previous LOW level has risen to 0.5 volts above V<sub>OL</sub> Max.

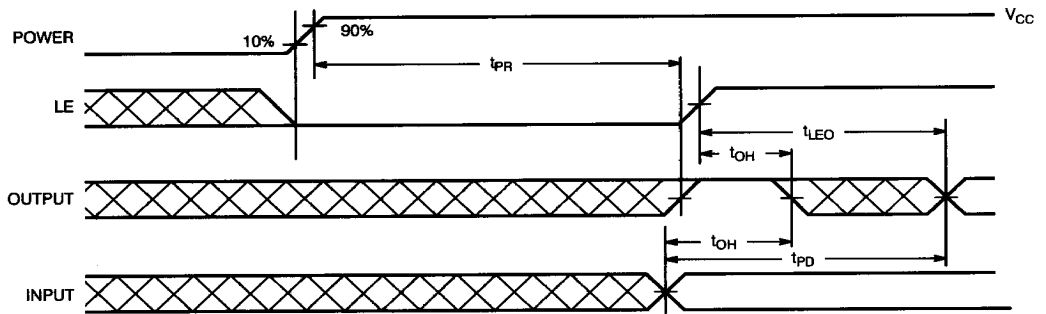
7. This part has been designed with the capability to reset during system power-up. Following power-up, the output latches will be reset to a logic LOW state. To insure proper operation, the rise in V<sub>CC</sub> must be monotonic and the timing constraints depicted in power-up reset waveforms must be satisfied. The latch enable input must be in a valid LOW state (V<sub>IN</sub> less than 0.8V) prior to occurrence of the 10% level on the monotonically rising power supply voltage. In addition, the latch enable signal must remain stable in that valid LOW state, as indicated, until the 90% level on the power supply voltage has been reached. The latch enable is allowed to change from its LOW state only after the indicated delay (t<sub>PR</sub>) has been observed.

Switching Waveform



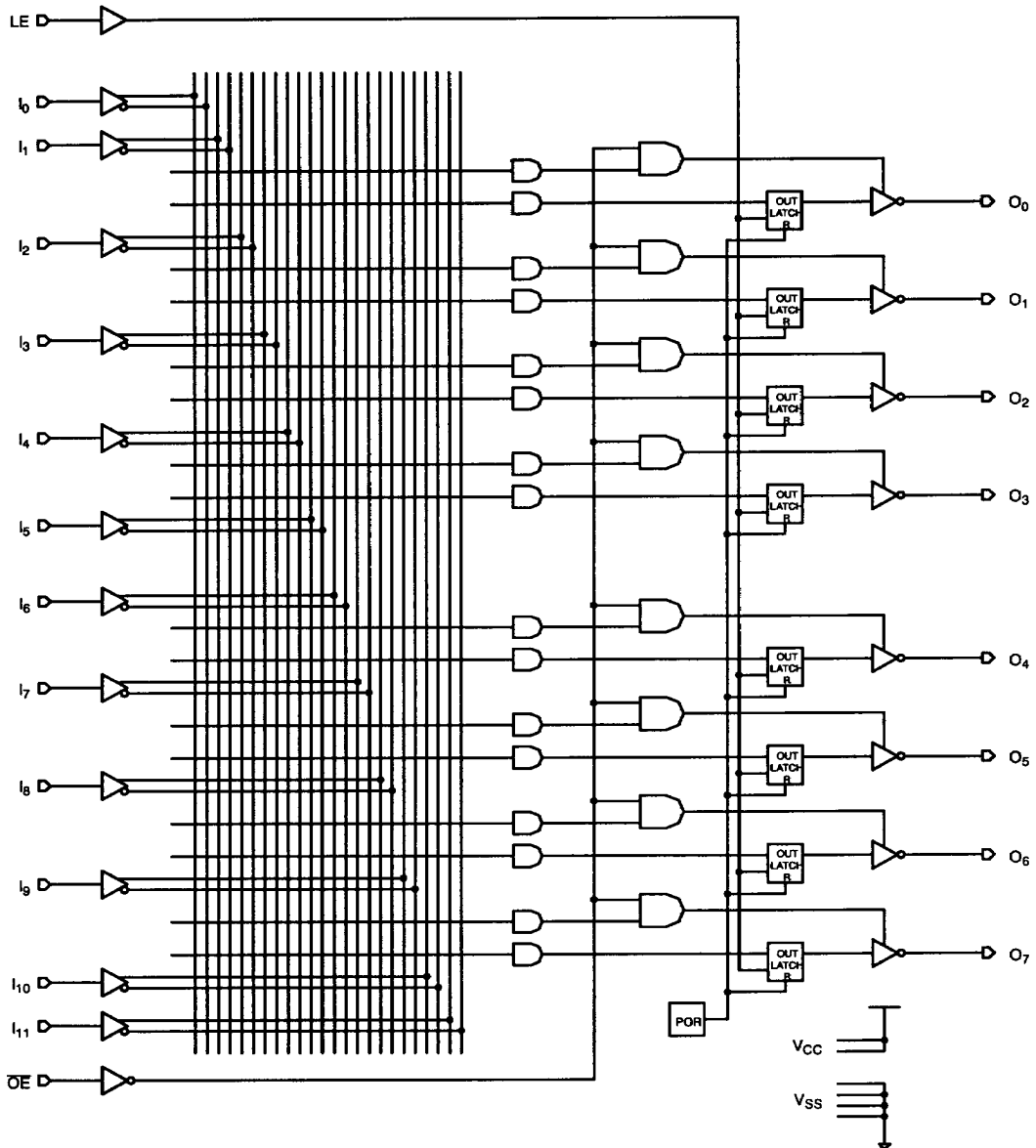
B338-6

Power-Up Reset Waveform<sup>[7]</sup>



B338-7

CY7B338 Logic Diagram



**4**  
PLDs

**Ordering Information**

t <sub>PD</sub> (ns)	t <sub>LEO</sub> (ns)	Ordering Code	Package Type	Operating Range
6	5.5	CY7B338-6PC	P21	Commercial
		CY7B338-6DC	D22	
		CY7B338-6JC	J64	
		CY7B338-6VC	V21	
7	6.5	CY7B338-7DMB	D22	Military
		CY7B338-7LMB	L64	
8	7.5	CY7B338-8PC	P21	Commercial
		CY7B338-8DC	D22	
		CY7B338-8JC	J64	
		CY7B338-8VC	V21	
10	8	CY7B338-10DMB	D22	Military
		CY7B338-10LMB	L64	
12	9.5	CY7B338-12DMB	D22	Military
		CY7B338-12LMB	L64	

**MILITARY SPECIFICATIONS**
**Group A Subgroup Testing**
**DC Characteristics**

Parameters	Subgroups
V <sub>OH</sub>	1, 2, 3
V <sub>OL</sub>	1, 2, 3
V <sub>IH</sub>	1, 2, 3
V <sub>IL</sub>	1, 2, 3
I <sub>IX</sub>	1, 2, 3
I <sub>OZ</sub>	1, 2, 3

**Switching Characteristics**

Parameters	Subgroups
t <sub>PD</sub>	7, 8, 9, 10, 11
t <sub>IS</sub>	7, 8, 9, 10, 11
t <sub>IH</sub>	7, 8, 9, 10, 11
t <sub>LEO</sub>	7, 8, 9, 10, 11
t <sub>ER</sub>	7, 8, 9, 10, 11
t <sub>EA</sub>	7, 8, 9, 10, 11
t <sub>PXZ</sub>	7, 8, 9, 10, 11
t <sub>PZX</sub>	7, 8, 9, 10, 11

Document #: 38-00133-B