

NL7WB66

Ultra-Small SPST Analog Switch

The NL7WB66 is a very low R_{ON} dual SPST analog switch. R_{ON} is 5.0 Ω (Typ) at 5.0 V. The device is offered in the very popular low cost US8 package. It is designed as a general purpose dual switch and can be used to switch either analog signals such as audio and video or digital signal such as TTL, CMOS, LVDS, ECL, or complex digital signals such as QPSK.

Features

- Excellent Performance $R_{DS(ON)} = 5.0 \Omega$ at 5.0 V
- High Speed Operation: $t_{PD} = 0.25$ ns (Max) at 5.0 V
- 1.65 to 5.5 V Operating Range
- Reduced Threshold Voltages for LVTTTL on Control Pin
 - ◆ Eliminates the Need for Translators for Many Applications
 - ◆ TTL Compatibility when V_{CC} is 5.0 V
 - ◆ Can Operate with 1.8 V Inputs, if V_{CC} is 3.0
 - ◆ Also Meets Full CMOS Specifications
- Ultra-Low Charge Injection = 7.5 pC at 5.0 V
- Low Stand-by Power $I_{CC} = 1.0$ nA (Max) at $T_A = 25^\circ\text{C}$
- Control Pins IN1, IN2, are Overvoltage Tolerant
- Pin for Pin Replacement TC7WB66, NC7WB66, 74LVC2G66

Typical Applications

- Cell Phones
- PDAs
- Digital Still Cameras
- Video
- Digital Video

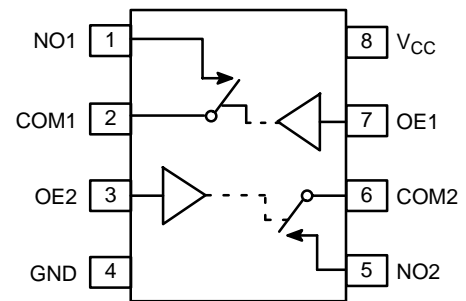
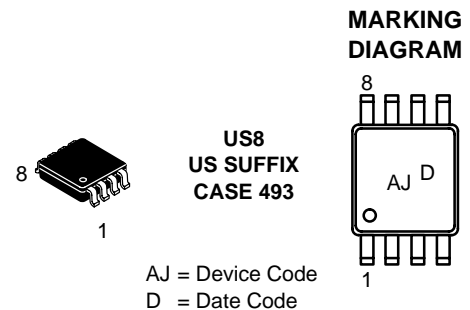
Important Information

- ESD Protection: MM >200 V, HBM >2000 V
- Latch-Up Max Rating: 200 mA



ON Semiconductor®

<http://onsemi.com>



PIN ASSIGNMENT

Pin	Function	OVT
1	NO1	-
2	COM1	-
3	OE2	Yes
4	GND	-
5	NO2	-
6	COM2	-
7	OE1	Yes
8	V_{CC}	-

FUNCTION TABLE

On/Off Enable Input	State of Analog Switch
L	Off
H	On

ORDERING INFORMATION

See detailed ordering and shipping information in the package dimensions section on page 8 of this data sheet.

NL7WB66

MAXIMUM RATINGS

Symbol	Rating	Value	Unit
V _{CC}	DC Supply Voltage	-0.5 to +7.0	V
V _I	DC Input Voltage	-0.5 to +7.0	V
V _O	DC Output Voltage	-0.5 to +7.0	V
I _{IK}	DC Input Diode Current V _I < GND	-50	mA
I _{OK}	DC Output Diode Current V _O < GND	-50	mA
I _O	DC Output Sink Current	±50	mA
I _{CC}	DC Supply Current per Supply Pin	±100	mA
I _{GND}	DC Ground Current per Ground Pin	±100	mA
T _{STG}	Storage Temperature Range	-65 to +150	°C
T _L	Lead Temperature, 1 mm from Case for 10 Seconds	260	°C
T _J	Junction Temperature under Bias	+150	°C
θ _{JA}	Thermal Resistance	250	°C/W
P _D	Power Dissipation in Still Air at 85°C	250	mW
MSL	Moisture Sensitivity	Level 1	-
F _R	Flammability Rating Oxygen Index: 28 to 34	UL 94 V-0 @ 0.125 in	-
V _{ESD}	ESD Withstand Voltage Human Body Model (Note 2) Machine Model (Note 3) Charged Device Model (Note 4)	> 2000 > 200 N/A	V

Maximum Ratings are those values beyond which damage to the device may occur. Exposure to these conditions or conditions beyond those indicated may adversely affect device reliability. Functional operation under absolute maximum rated conditions is not implied. Functional operation should be restricted to the Recommended Operating Conditions.

1. Measured with minimum pad spacing on an FR4 board, using 10 mm-by-1 inch, 2-ounce copper trace with no air flow.
2. Tested to EIA/JESD22-A114-A.
3. Tested to EIA/JESD22-A115-A.
4. Tested to JESD22-C101-A.

RECOMMENDED OPERATING CONDITIONS

Symbol	Characteristics	Min	Max	Unit
V _{CC}	Positive DC Supply Voltage	1.65	5.5	V
V _{IN}	Digital Input Voltage (Enable)	GND	5.5	V
V _{IO}	Static or Dynamic Voltage Across an Off Switch	GND	V _{CC}	V
V _{IS}	Analog Input Voltage NO COM	GND	V _{CC}	V
T _A	Operating Temperature Range, All Package Types	-55	+125	°C
t _r , t _f	Input Rise or Fall Time (Enable Input) V _{CC} = 3.3 V ± 0.3 V V _{CC} = 5.0 V ± 0.5 V	0 0	100 20	ns/V

NL7WB66

DEVICE JUNCTION TEMPERATURE VS. TIME TO 0.1% BOND FAILURES

Junction Temperature °C	Time, Hours	Time, Years
80	1,032,200	117.8
90	419,300	47.9
100	178,700	20.4
110	79,600	9.4
120	37,000	4.2
130	17,800	2.0
140	8,900	1.0

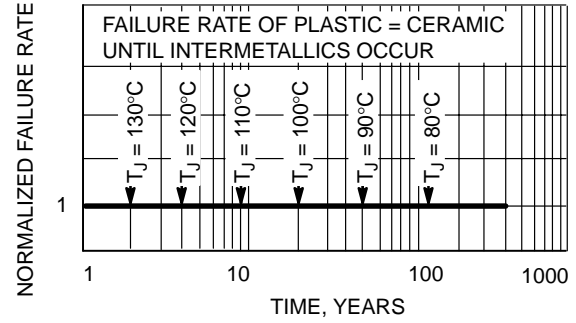


Figure 1. Failure Rate vs. Time Junction Temperature

DC CHARACTERISTICS – Digital Section (Voltages Referenced to GND)

Symbol	Parameter	Condition	V _{CC}	Guaranteed Max Limit			Unit
				25°C	-40 to 85°C	-55 to <125°C	
V _{IH}	High-level Input Voltage, Control Input		1.65 to 1.95 2.3 to 2.7 3.0 to 3.6 4.5 to 5.5	V _{CC} x 0.65 V _{CC} x 0.7 V _{CC} x 0.7 V _{CC} x 0.7	V _{CC} x 0.65 V _{CC} x 0.7 V _{CC} x 0.7 V _{CC} x 0.7	V _{CC} x 0.65 V _{CC} x 0.7 V _{CC} x 0.7 V _{CC} x 0.7	V
V _{IL}	Low-level Input Voltage, Control Input		1.65 to 1.95 2.3 to 2.7 3.0 to 3.6 4.5 to 5.5	V _{CC} x 0.35 V _{CC} x 0.3 V _{CC} x 0.3 V _{CC} x 0.3	V _{CC} x 0.35 V _{CC} x 0.3 V _{CC} x 0.3 V _{CC} x 0.3	V _{CC} x 0.35 V _{CC} x 0.3 V _{CC} x 0.3 V _{CC} x 0.3	V
I _{IN}	Maximum Input Leakage Current, Enable Inputs	V _{IN} = 5.5 V or GND	0 V to 5.5 V	±0.1	±1.0	±1.0	µA
I _{CC}	Maximum Quiescent Supply Current (per package)	Enable and VIS = V _{CC} or GND	5.5	1.0	1.0	2.0	µA

NL7WB66

DC ELECTRICAL CHARACTERISTICS – Analog Section

Symbol	Parameter	Condition	V _{CC}	Guaranteed Max Limit			Unit
				25°C	-40 to 85°C	-55 to <125°C	
R _{ON}	On-State Switch Resistance	V _{IS} = V _{CC} I _S = 4 mA	1.65	30	30	30	Ω
		V _{IS} = GND I _S = 4 mA	1.65	15	15		
		V _{IS} = V _{CC} I _S = 8 mA	2.3	20	20		
		V _{IS} = GND I _S = 8 mA	2.3	10	10		
		V _{IS} = V _{CC} I _S = 24 mA	3.0	15	15		
		V _{IS} = GND I _S = 24 mA	3.0	7.0	7.0		
		V _{IS} = V _{CC} I _S = 32 mA	4.5	10	10		
		V _{IS} = 2.4 I _S = 15 mA	4.5	8.0	8.0		
		V _{IS} = GND I _S = 32 mA	4.5	5.0	5.0		
R _{ON(p)}	Peak On-State Resistance	V _{IS} = V _{CC} to GND, I _S = 4 mA	1.65	120	120	120	Ω
		V _{IN} = V _{IH} I _S = 8 mA	2.3	30	30		
		I _S = 24 mA	3.0	20	20		
		I _S = 32 mA	4.5	15	15		
Δ R _{ON}	Difference of On-State Resistance between Switches	V _{IS} = V _{CC} to GND, I _S = 4 mA	1.65	1.2	1.2	1.2	Ω
		V _{IN} = V _{IH} I _S = 8 mA	2.3	1.3	1.3		
		I _S = 24 mA	3.0	1.5	1.5		
		I _S = 32 mA	4.5	2.0	2.0		
R _{FLAT}		V _{IS} = V _{CC} to GND I _S = 4 mA	1.65	240	240	240	Ω
		I _S = 8 mA	2.3	60	60		
		I _S = 24 mA	3.0	14	14		
		I _S = 32 mA	4.5	5.0	5.0		
I _{NO(OFF)}	Off Leakage Current	V _{IN} = V _{IL} V _{NO} = 1.0 V, V _{COM} = 4.5 V or V _{COM} = 1.0 V and V _{NO} 4.5 V	5.5	1.0	10	100	nA
I _{COM(OFF)}	Off Leakage Current	V _{IN} = V _{IL} V _{NO} = 4.5 V or 1.0 V V _{COM} = 1.0 V or 4.5 V	5.5	1.0	10	100	nA

AC ELECTRICAL CHARACTERISTICS (Input t_r = t_f = 3.0 ns)

Symbol	Parameter	Test Conditions	Guaranteed Max Limit								Unit
			V _{CC} = 1.8 V ±0.15 V		V _{CC} = 2.5 V ±0.2 V		V _{CC} = 3.3 V ±0.3 V		V _{CC} = 5.0 V ±0.5 V		
			Min	Max	Min	Max	Min	Max	Min	Max	
t _{ON}	Output Enable Time		2.3	10	1.6	5.6	1.5	4.4	1.3	3.9	ns
t _{OFF}	Output Disable Time		2.5	10.5	1.2	6.9	2.0	7.2	1.1	6.3	ns
t _{PD}	Propagation Delay Time		-	0.55	-	0.5	-	0.35	-	0.25	ns

		Typical @ 25°C, V _{CC} = 5.0 V	Unit
C _{IN}	Maximum Input Capacitance, Select Input	3.0	pF
C _{NO1} or C _{NO2}	Analog I/O (Switch Off)	10	
C _{COM(OFF)}	Common I/O (Switch Off)	10	
C _{COM(ON)}	Feed-through (Switch Off)	10	

NL7WB66

ADDITIONAL APPLICATIONS CHARACTERISTICS (Voltage Reference to GND Unless Noted)

Symbol	Parameter	Condition	V _{CC} (V)	Typical 25°C	Unit
BW	Maximum On-Channel -3.0 dB Bandwidth or Minimum Frequency Response	V _{IS} = 0 dBm V _{IS} centered between V _{CC} and GND	2.0	102	MHz
			3.0	180	
			4.5	186	
V _{ONL}	Maximum Feed-Through On Loss	V _{IS} = 0 dBm @ 10 kHz V _{IS} centered between V _{CC} and GND	2.0	-2.2	dB
			3.0	-0.8	
			4.5	-0.4	
V _{ISO}	Off-Channel Isolation	f = 100 kHz V _{IS} = 1.0 V RMS V _{IS} centered between V _{CC} and GND	2.0	-73	dB
			3.0	-74	
			4.5	-75	
Q	Charge Injection Enable Input to Common I/O	V _{IS} = V _{CC} to GND, F _{IS} = 20 kHz t _r = t _f = 3.0 nS R _{IS} = 0 Ω, C _L = 100 pF	3.0	4.8	pC
			5.5	7.5	
THD	Total Harmonic Distortion TDH + Noise	F _{IS} = 10 Hz to 100 kHz, R _L = R _{gen} = 600 Ω, C _L = 50 pF V _{IS} = 3.0 V _{PP} Sine Wave V _{IS} = 5.0 V _{PP} Sine Wave	3.0	0.19	%
			5.5	0.06	

NL7WB66

TIMING INFORMATION

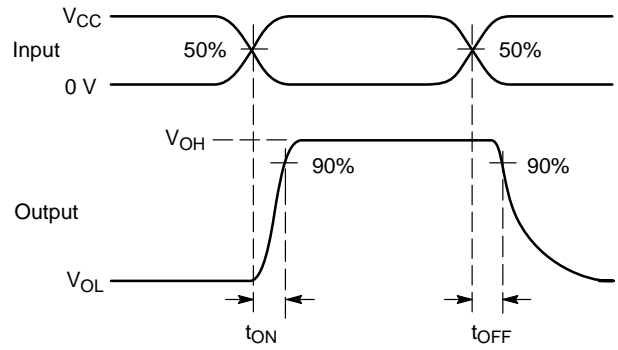
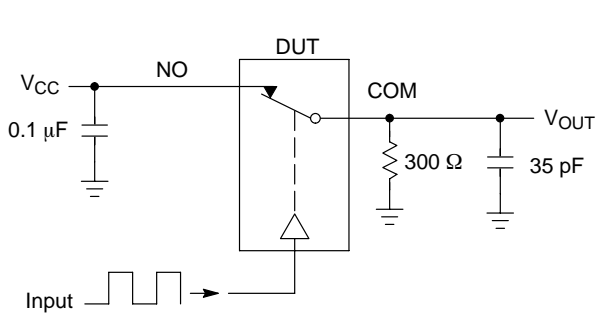


Figure 2. t_{ON}/t_{OFF}

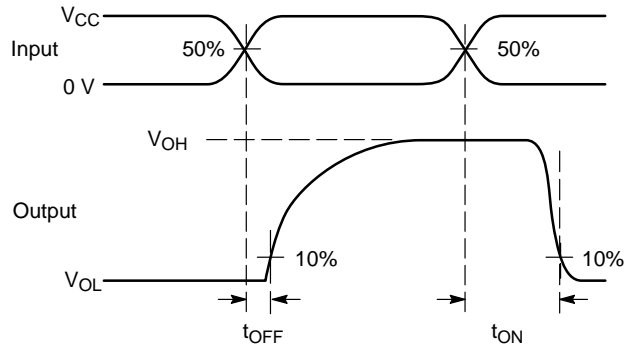
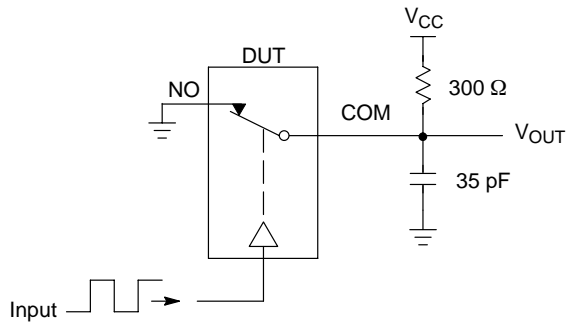
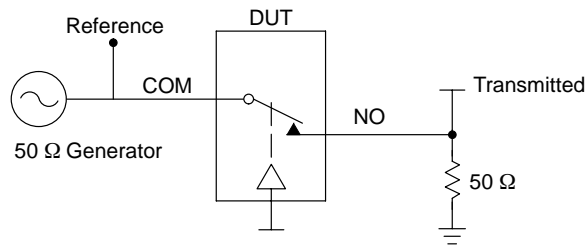


Figure 3. t_{ON}/t_{OFF}

NL7WB66



Channel switch control/s test socket is normalized. Off isolation is measured across an off channel. On loss is the bandwidth of an On switch. V_{ISO} , Bandwidth and V_{ONL} are independent of the input signal direction.

$$V_{ISO} = \text{Off Channel Isolation} = 20 \text{ Log} \left(\frac{V_{OUT}}{V_{IN}} \right) \text{ for } V_{IN} \text{ at } 100 \text{ kHz}$$

$$V_{ONL} = \text{On Channel Loss} = 20 \text{ Log} \left(\frac{V_{OUT}}{V_{IN}} \right) \text{ for } V_{IN} \text{ at } 100 \text{ kHz to } 50 \text{ MHz}$$

Bandwidth (BW) = the frequency 3 dB below V_{ONL}

Figure 4. Off Channel Isolation/On Channel Loss (BW)/Crosstalk (On Channel to Off Channel)/ V_{ONL}

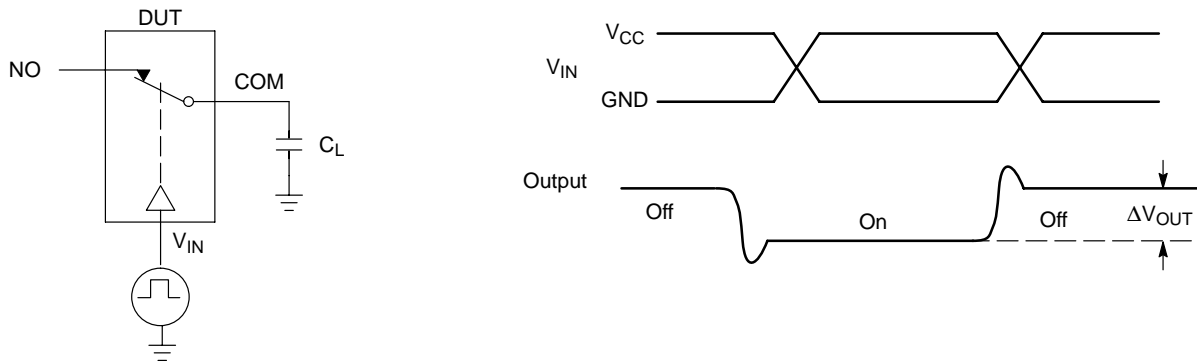


Figure 5. Charge Injection: (Q)

NL7WB66

DEVICE ORDERING INFORMATION

Device Order Number	Device Nomenclature				Package Type	Tape and Reel Size
	Circuit Indicator	Technology	Device Function	Package Suffix		
NL7WB66	NL	AS	2066	US	US8	178 mm (7") 3000 Unit

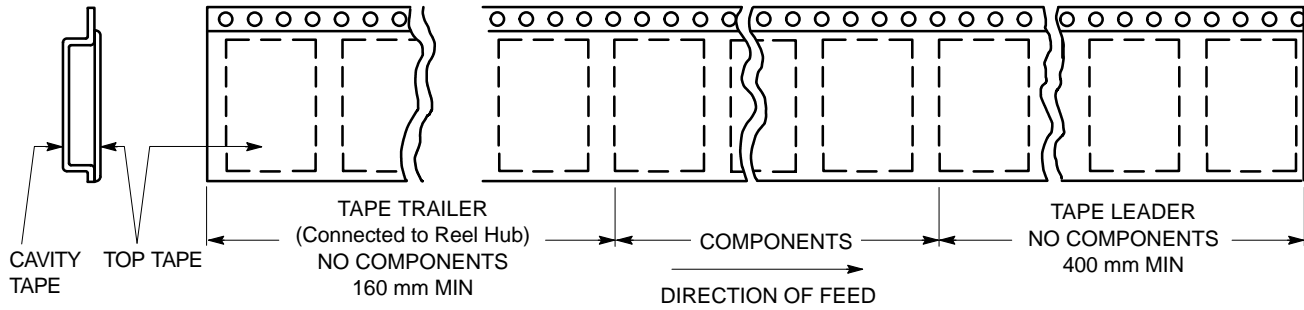


Figure 6. Tape Ends for Finished Goods

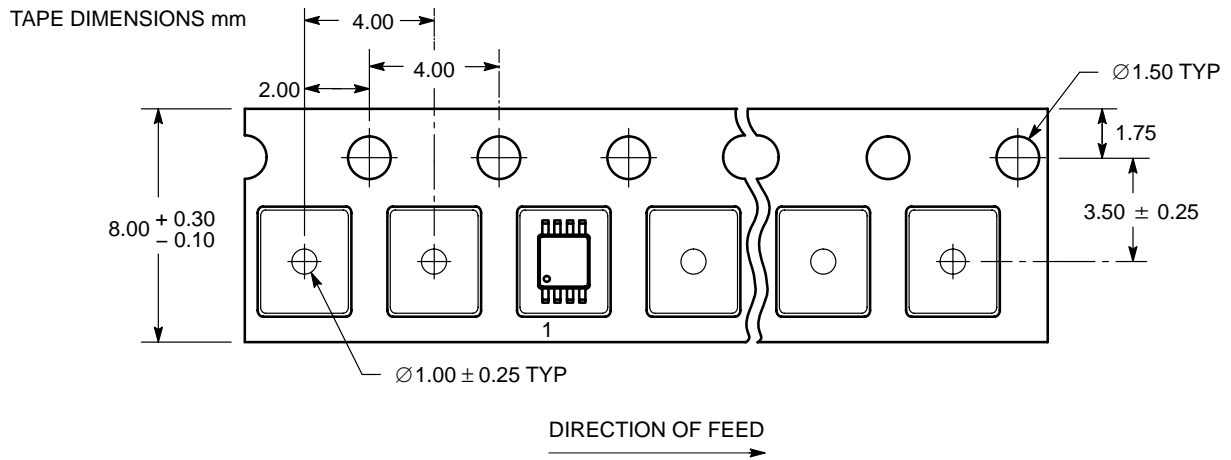


Figure 7. US8 Reel Configuration/Orientation

NL7WB66

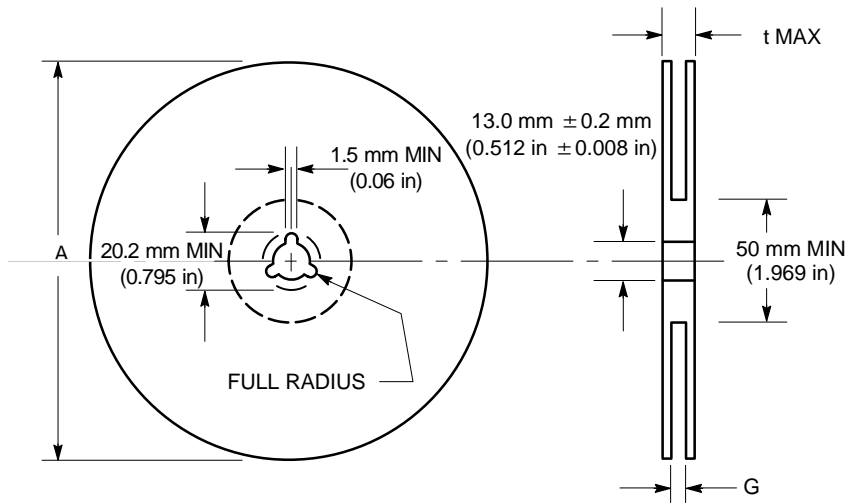


Figure 8. Reel Dimensions

REEL DIMENSIONS

Tape Size	T and R Suffix	A Max	G	t Max
8 mm	US	178 mm (7 in)	8.4 mm, + 1.5 mm, -0.0 (0.33 in + 0.059 in, -0.00)	14.4 mm (0.56 in)

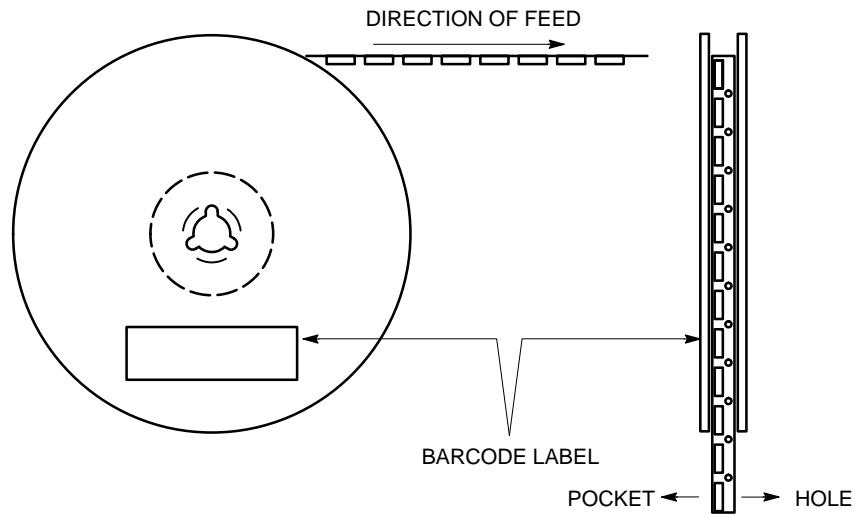
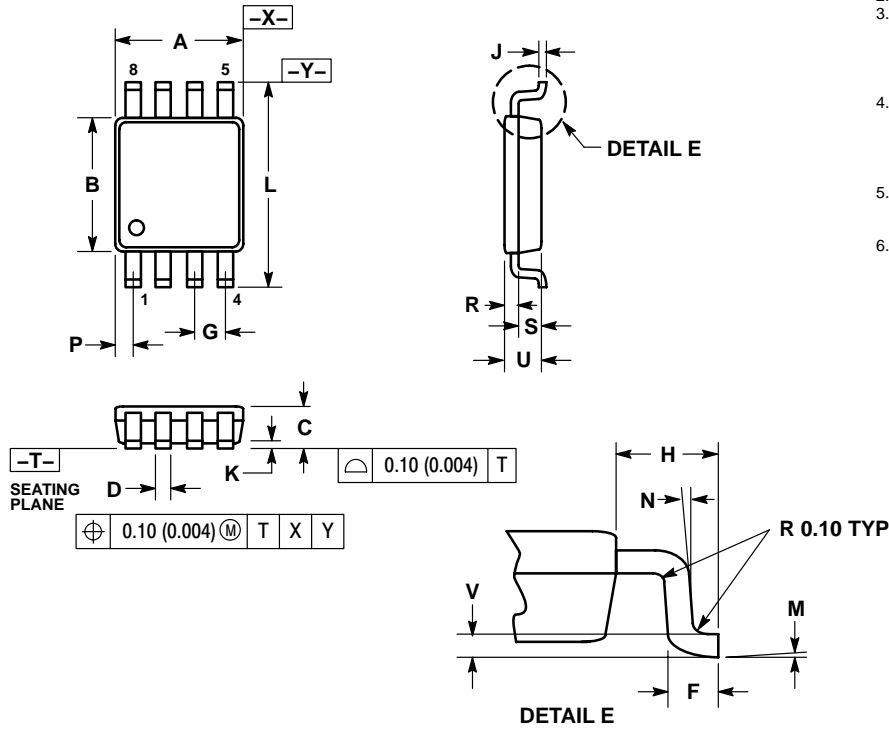


Figure 9. Reel Winding Direction

NL7WB66

PACKAGE DIMENSIONS

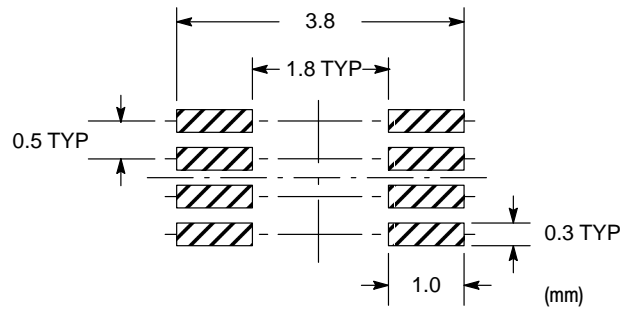
US8
US SUFFIX
CASE 493-02
ISSUE A




NOTES:

1. DIMENSIONING AND TOLERANCING PER ANSI Y14.5M, 1982.
2. CONTROLLING DIMENSION: MILLIMETERS.
3. DIMENSION "A" DOES NOT INCLUDE MOLD FLASH, PROTRUSION OR GATE BURR. MOLD FLASH, PROTRUSION AND GATE BURR SHALL NOT EXCEED 0.140 MM (0.0055") PER SIDE.
4. DIMENSION "B" DOES NOT INCLUDE INTER-LEAD FLASH OR PROTRUSION. INTER-LEAD FLASH AND PROTRUSION SHALL NOT EXCEED 0.140 (0.0055") PER SIDE.
5. LEAD FINISH IS SOLDER PLATING WITH THICKNESS OF 0.0076-0.0203 MM. (300-800 ").
6. ALL TOLERANCE UNLESS OTHERWISE SPECIFIED ± 0.0508 (0.0002 ").

DIM	MILLIMETERS		INCHES	
	MIN	MAX	MIN	MAX
A	1.90	2.10	0.075	0.083
B	2.20	2.40	0.087	0.094
C	0.60	0.90	0.024	0.035
D	0.17	0.25	0.007	0.010
F	0.20	0.35	0.008	0.014
G	0.50 BSC		0.020 BSC	
H	0.40 REF		0.016 REF	
J	0.10	0.18	0.004	0.007
K	0.00	0.10	0.000	0.004
L	3.00	3.20	0.118	0.126
M	0°	6°	0°	6°
N	5°	10°	5°	10°
P	0.23	0.34	0.010	0.013
R	0.23	0.33	0.009	0.013
S	0.37	0.47	0.015	0.019
U	0.60	0.80	0.024	0.031
V	0.12 BSC		0.005 BSC	



Notes

ON Semiconductor and  are registered trademarks of Semiconductor Components Industries, LLC (SCILLC). SCILLC reserves the right to make changes without further notice to any products herein. SCILLC makes no warranty, representation or guarantee regarding the suitability of its products for any particular purpose, nor does SCILLC assume any liability arising out of the application or use of any product or circuit, and specifically disclaims any and all liability, including without limitation special, consequential or incidental damages. "Typical" parameters which may be provided in SCILLC data sheets and/or specifications can and do vary in different applications and actual performance may vary over time. All operating parameters, including "Typicals" must be validated for each customer application by customer's technical experts. SCILLC does not convey any license under its patent rights nor the rights of others. SCILLC products are not designed, intended, or authorized for use as components in systems intended for surgical implant into the body, or other applications intended to support or sustain life, or for any other application in which the failure of the SCILLC product could create a situation where personal injury or death may occur. Should Buyer purchase or use SCILLC products for any such unintended or unauthorized application, Buyer shall indemnify and hold SCILLC and its officers, employees, subsidiaries, affiliates, and distributors harmless against all claims, costs, damages, and expenses, and reasonable attorney fees arising out of, directly or indirectly, any claim of personal injury or death associated with such unintended or unauthorized use, even if such claim alleges that SCILLC was negligent regarding the design or manufacture of the part. SCILLC is an Equal Opportunity/Affirmative Action Employer.

PUBLICATION ORDERING INFORMATION

Literature Fulfillment:

Literature Distribution Center for ON Semiconductor
P.O. Box 5163, Denver, Colorado 80217 USA
Phone: 303-675-2175 or 800-344-3860 Toll Free USA/Canada
Fax: 303-675-2176 or 800-344-3867 Toll Free USA/Canada
Email: orderlit@onsemi.com

N. American Technical Support: 800-282-9855 Toll Free USA/Canada

JAPAN: ON Semiconductor, Japan Customer Focus Center
2-9-1 Kamimeguro, Meguro-ku, Tokyo, Japan 153-0051
Phone: 81-3-5773-3850

ON Semiconductor Website: <http://onsemi.com>

For additional information, please contact your local Sales Representative.